



US00D856991S

(12) **United States Design Patent** (10) **Patent No.:** **US D856,991 S**  
**Wadsworth** (45) **Date of Patent:** **\*\* Aug. 20, 2019**

(54) **OVERLAY**

(71) Applicant: **Belkin International, Inc.**, Playa Vista, CA (US)

(72) Inventor: **John F. Wadsworth**, Burbank, CA (US)

(73) Assignee: **Belkin International, Inc.**, Playa Vista, CA (US)

(\*\*) Term: **15 Years**

(21) Appl. No.: **29/568,669**

(22) Filed: **Jun. 20, 2016**

**Related U.S. Application Data**

(62) Division of application No. 29/477,419, filed on Dec. 20, 2013, now Pat. No. Des. 759,640.

(51) **LOC (12) Cl.** ..... **14-03**

(52) **U.S. Cl.**  
USPC ..... **D14/250**; D14/432

(58) **Field of Classification Search**  
USPC ..... D14/250-253, 440, 203.3-203.7, 217, D14/496, 248, 238.1, 240, 447, 230, 247,  
(Continued)

(56) **References Cited**

**U.S. PATENT DOCUMENTS**

4,285,559 A 8/1981 Koch  
D305,648 S 1/1990 Edington  
(Continued)

**FOREIGN PATENT DOCUMENTS**

CN 201456516 5/2010  
CN 201538078 8/2010  
(Continued)

**OTHER PUBLICATIONS**

International Search Report and Written Opinion for PCT/US09/61553, dated Dec. 17, 2009.

(Continued)

*Primary Examiner* — Holly E Thurman

(74) *Attorney, Agent, or Firm* — Bryan Cave Leighton Paisner LLP

(57) **CLAIM**

I claim the ornamental design for an overlay, as shown and described.

**DESCRIPTION**

FIG. 1 is a top perspective view of an overlay, according to a first embodiment;

FIG. 2 is a bottom perspective view of the overlay, according to the first embodiment;

FIG. 3 is a top plan view of the overlay, according to the first embodiment;

FIG. 4 is a side elevational view of the overlay, according to the first embodiment;

FIG. 5 is an opposite side elevational view of the overlay, according to the first embodiment;

FIG. 6 is a bottom plan view of the overlay, according to the first embodiment;

FIG. 7 is a top plan view of the overlay in a folded configuration, according to the first embodiment;

FIG. 8 is a top perspective view of an overlay, according to a second embodiment;

FIG. 9 is a bottom perspective view of the overlay, according to the second embodiment;

FIG. 10 is a top plan view of the overlay, according to the second embodiment;

FIG. 11 is a side elevational view of the overlay, according to the second embodiment;

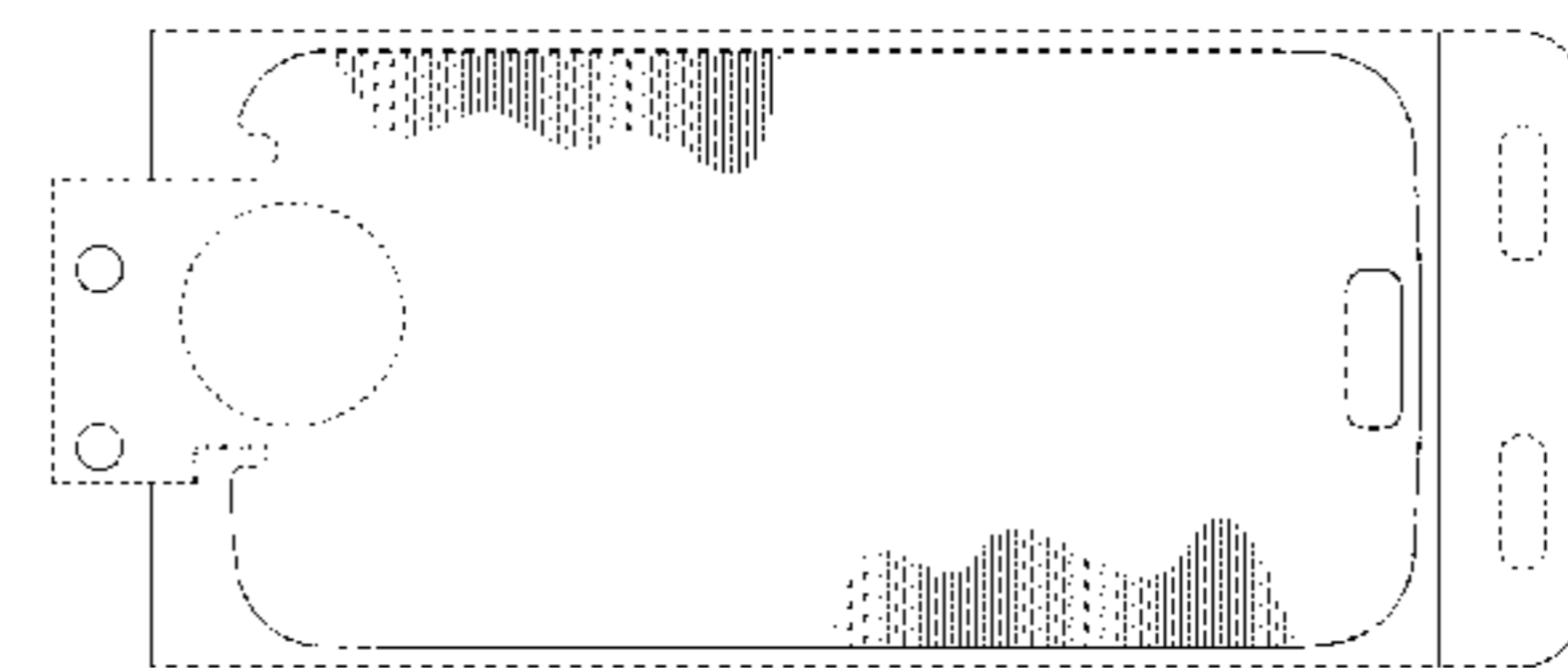
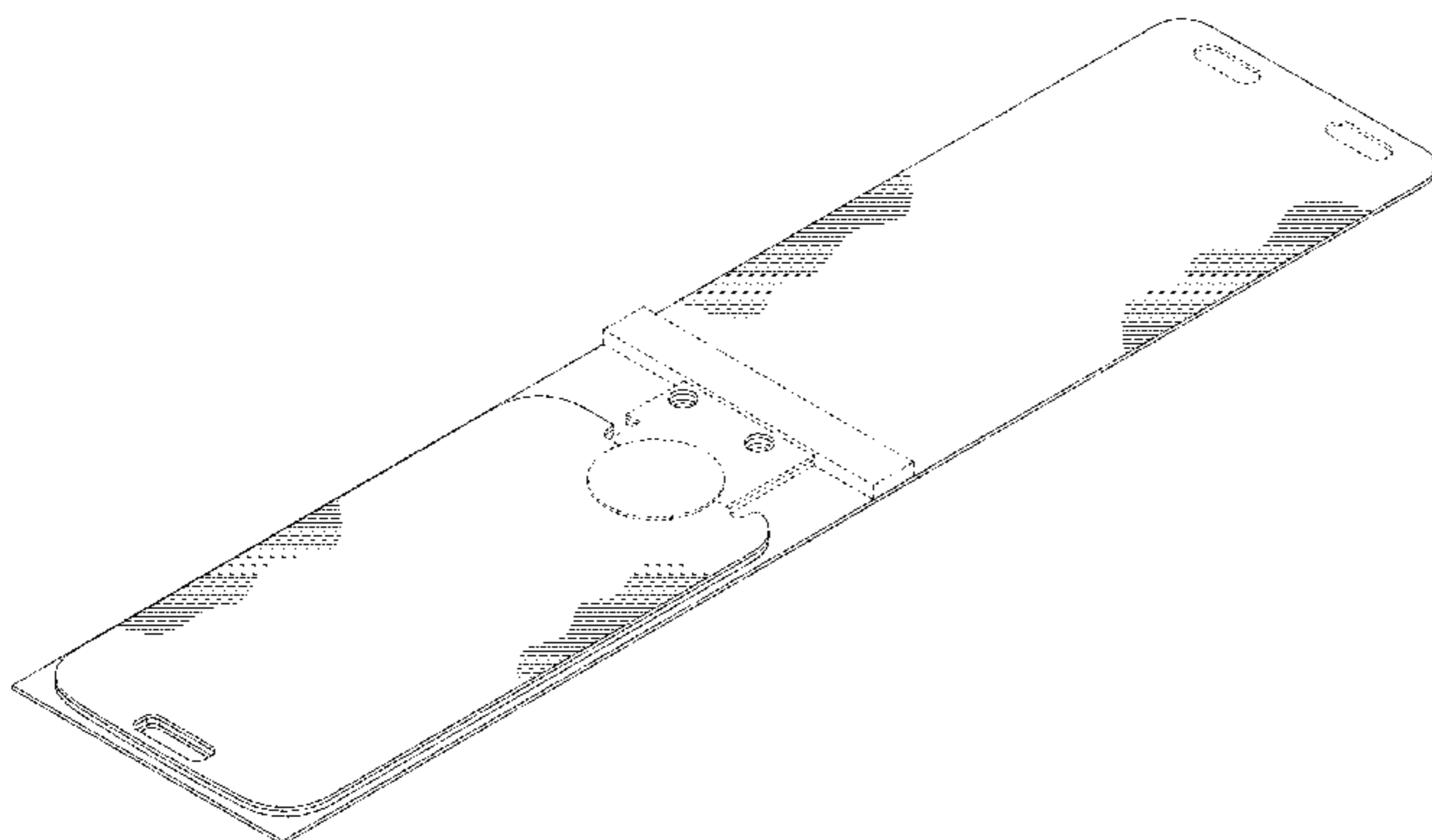
FIG. 12 is an opposite side elevational view of the overlay, according to the second embodiment;

FIG. 13 is a bottom plan view of the overlay, according to the second embodiment; and,

FIG. 14 is a top plan view of the overlay in a folded configuration, according to the second embodiment.

The evenly dashed broken lines of the various embodiments of the overlay are directed to environment and are for illustrative purposes only; the evenly dashed broken lines form no part of the claimed design.

**1 Claim, 6 Drawing Sheets**



# US D856,991 S

(58) **Field of Classification Search**  
 USPC ..... D14/341, 345, 346, 439, 432; D3/201,  
                   D3/218, 269, 301, 273, 303; D13/103,  
                   D13/107-108  
 CPC ..... A45C 2011/002; A45C 11/00; A45C  
                   13/002; A45C 2011/003; H04M 1/0283;  
                   H04M 1/0202; H04M 1/185; H04B  
                   1/3888  
 See application file for complete search history.

D800,126 S 10/2017 Wadsworth et al.  
 D800,127 S 10/2017 Beaupre et al.  
 D800,128 S 10/2017 Beaupre et al.  
 D800,129 S 10/2017 Wadsworth et al.  
 D800,130 S 10/2017 Beaupre et al.  
 D800,131 S 10/2017 Wadsworth et al.  
 D800,714 S 10/2017 Lee et al.  
 D802,594 S 11/2017 Beaupre et al.  
 D811,404 S 2/2018 Wadsworth  
 D811,405 S 2/2018 Wadsworth et al.  
 D811,407 S 2/2018 Wadsworth et al.  
 D811,408 S 2/2018 Wadsworth et al.  
 D812,062 S 3/2018 MacDonald et al.  
 D812,063 S 3/2018 Lane et al.

(56) **References Cited**

U.S. PATENT DOCUMENTS

4,895,231 A	1/1990	Yamaguchi et al.	2002/0054030 A1	5/2002	Murphy
5,069,732 A	12/1991	Levine	2004/0109096 A1	6/2004	Anderson et al.
5,680,709 A	10/1997	Stone	2004/0246386 A1	12/2004	Thomas
5,805,251 A	9/1998	Ozawa	2005/0030296 A1	2/2005	Stohrer et al.
6,406,758 B1	6/2002	Bottari et al.	2005/0164148 A1	7/2005	Sinclair
7,084,859 B1	8/2006	Pryor	2007/0013662 A1	1/2007	Fauth
D578,164 S	10/2008	Ingle	2007/0021068 A1	1/2007	Dewhurst
D598,024 S	8/2009	Scott et al.	2007/0058990 A1	3/2007	Weaver et al.
D601,959 S	10/2009	Lee	2007/0115621 A1	5/2007	Guillen
D601,960 S	10/2009	Dai	2007/0229962 A1	10/2007	Mason, Jr.
7,697,827 B2	4/2010	Konicek	2007/0247793 A1	10/2007	Carnevali
D627,826 S	11/2010	Halimi	2007/0293282 A1	12/2007	Lewis et al.
7,957,524 B2	6/2011	Chipping	2009/0015509 A1	1/2009	Gottwald et al.
7,966,861 B2	6/2011	Yee et al.	2009/0133219 A1	5/2009	Lowry et al.
D641,210 S	7/2011	Hamilton	2009/0186181 A1	7/2009	Mase
8,044,942 B1	10/2011	Leonhard et al.	2009/0245565 A1	10/2009	Mittleman et al.
8,047,365 B1	11/2011	Lin	2009/0314400 A1	12/2009	Liu
D651,214 S	12/2011	Yoo et al.	2010/0053926 A1	3/2010	Shi et al.
D651,791 S	1/2012	Cataldo et al.	2010/0079972 A1	4/2010	Chen et al.
D658,164 S	4/2012	Chan	2010/0097757 A1	4/2010	Wang
D665,809 S	8/2012	Wang et al.	2010/0309152 A1	12/2010	Kusuda et al.
8,369,072 B1	2/2013	Alonzo et al.	2011/0188179 A1	8/2011	Myers et al.
8,393,377 B2	3/2013	Patel et al.	2011/0206887 A1	8/2011	Kim
D679,753 S	4/2013	Sato et al.	2011/0267793 A1	11/2011	Cohen
D680,166 S	4/2013	Sato et al.	2011/0279383 A1	11/2011	Wilson et al.
8,517,367 B1	8/2013	Napier	2011/0309608 A1	12/2011	Flynn et al.
D690,704 S	10/2013	Padilla et al.	2012/0043015 A1	2/2012	Feller
8,564,538 B2	10/2013	Wadsworth	2012/0063077 A1	3/2012	Tomobe et al.
D694,240 S	11/2013	Cho	2012/0076967 A1	3/2012	Muramatsu
8,640,759 B2	2/2014	Chen	2012/0087072 A1	4/2012	McGuire et al.
8,675,353 B1	3/2014	Alonzo et al.	2012/0110868 A1	5/2012	Abbondanzio
D707,217 S	6/2014	Toulotte	2012/0183712 A1	7/2012	Leonhard et al.
D710,843 S	8/2014	Akana	2012/0211168 A1	8/2012	Patel et al.
D713,397 S	9/2014	Du et al.	2012/0211170 A1	8/2012	Patel et al.
D714,053 S	9/2014	Yoo	2012/0261930 A1	10/2012	Bethea
8,821,659 B2	9/2014	Ng et al.	2012/0268394 A1	10/2012	Hsu et al.
D715,301 S	10/2014	Ashcraft et al.	2012/0276318 A1	11/2012	Franke
D715,784 S	10/2014	Lin et al.	2013/0020005 A1	1/2013	Koblick et al.
D720,353 S	12/2014	Nakamura	2013/0020020 A1	1/2013	Liu
D721,359 S	1/2015	Kim	2013/0040088 A1	2/2013	Hirayama et al.
8,931,770 B1	1/2015	Kaminski	2013/0048203 A1	2/2013	Yau et al.
9,001,502 B1	4/2015	Cowan	2013/0113348 A1	5/2013	Holben et al.
9,010,396 B2	4/2015	Patel et al.	2013/0156999 A1	6/2013	Braesch et al.
D729,235 S	5/2015	Nagao et al.	2013/0184845 A1	7/2013	Hales
D734,311 S	7/2015	Takamoto et al.	2013/0237296 A1	9/2013	Chen
9,089,085 B2	7/2015	Patel et al.	2013/0264235 A1	10/2013	Lin
9,159,260 B2	10/2015	Oh	2014/0047708 A1	2/2014	Chae
D743,402 S	11/2015	Ehara et al.	2014/0055927 A1	2/2014	Wang
D746,265 S	12/2015	Colby et al.	2014/0124146 A1	5/2014	Patel et al.
D747,320 S	1/2016	Snyder et al.	2014/0130971 A1	5/2014	Wu et al.
D751,556 S	3/2016	Conley et al.	2014/0250964 A1	9/2014	Dai et al.
D751,557 S	3/2016	Lane	2014/0332417 A1	11/2014	Wicks et al.
D759,640 S	6/2016	Wadsworth	2014/0338829 A1	11/2014	Peng et al.
D769,857 S	10/2016	Shin et al.	2015/0000831 A1	1/2015	Wang
D772,199 S	11/2016	Igarashi	2015/0041069 A1	2/2015	Wadsworth et al.
D773,927 S	12/2016	Cernokus et al.	2015/0047773 A1	2/2015	Wadsworth et al.
D776,123 S	1/2017	Akana et al.	2015/0107767 A1	4/2015	Wadsworth et al.
D777,714 S	1/2017	Akana et al.	2015/0121691 A1	5/2015	Wang
D778,869 S	2/2017	Kim et al.	2015/0136314 A1	5/2015	Napier
9,662,860 B2	5/2017	Wadsworth	2015/0227226 A1	8/2015	Wierenga et al.
9,688,016 B2	6/2017	Rostami	2015/0314523 A1	11/2015	Mason et al.
9,701,062 B2	7/2017	Wadsworth et al.	2015/0362736 A1	12/2015	Kowasic
9,701,096 B2	7/2017	Beaupre	2016/0009024 A1	1/2016	Mason



(56)

## References Cited

## U.S. PATENT DOCUMENTS

2016/0253039 A1 9/2016 Heo et al.  
 2017/0001364 A1 1/2017 MacDonald et al.

## FOREIGN PATENT DOCUMENTS

CN	102632674	8/2012
CN	202623469	12/2012
CN	202896928	4/2013
CN	202967060	6/2013
CN	203077741	7/2013
DE	102013021563	6/2015
EM	002486654-0001	6/2004
EM	002486654-0002	6/2004
EM	002486654-0003	6/2004
EM	002486654-0004	6/2004
EM	002486654-0005	6/2004
EM	002486654-0006	6/2004
EM	002486654-0007	6/2004
EM	002486654-0008	6/2004
EM	002486696-0001	6/2004
EM	002486696-0002	6/2004
EM	002486696-0003	6/2004
EM	002486696-0004	6/2004
EM	002486696-0005	6/2004
EM	002486696-0006	6/2004
EM	002486696-0007	6/2004
EM	002486696-0008	6/2004
EM	002486696-0009	6/2004
EM	002486696-0010	6/2004
EM	002486696-0011	6/2004
EM	002486696-0012	6/2004
EM	002486696-0013	6/2004
EM	002486696-0014	6/2004
EM	002486696-0015	6/2004
EM	002486696-0016	6/2004
EM	002486712-0001	6/2004
EM	002486712-0002	6/2004
EM	002486712-0003	6/2004
EM	002486712-0004	6/2004
EM	002486712-0005	6/2004
EM	002486712-0006	6/2004
EM	002486712-0007	6/2004
EM	002486712-0008	6/2004
EM	002486712-0009	6/2004
EM	002486712-0010	6/2004
EM	002486712-0011	6/2004
EM	002486712-0012	6/2004
EM	002486712-0013	6/2004
EM	002486712-0014	6/2004
EM	002486712-0015	6/2004
EM	002486712-0016	6/2004
JP	10199422	7/1998
JP	2002049327	2/2002
JP	2002057764	2/2002
JP	2003066419	3/2003
JP	2006145918	6/2006
JP	2006155452	6/2006
JP	3124275	8/2006
JP	03180690	12/2012
KR	200454225	6/2011
KR	101080018	11/2011
KR	101135144	4/2012
KR	101176316	8/2012
KR	1020130043720	5/2013
KR	300704457	8/2013
KR	300704458	8/2013
KR	300704459	8/2013
KR	300704460	8/2013
KR	1020130092713	8/2013
KR	1020130092804	8/2013
KR	300720375	12/2013

KR	300720376	12/2013
KR	101408663	6/2014
KR	1020140070046	6/2014
KR	1020140076245	6/2014
KR	101468710	12/2014
KR	200475419	12/2014
KR	200475420	12/2014
KR	1020140136596	12/2014
KR	1020140142904	12/2014
KR	1020140143262	12/2014
KR	1020150006910	1/2015
KR	200476916	4/2015
KR	1020150039292	4/2015
KR	2020150001663	5/2015
KR	300804459	7/2015
KR	1020160022665	3/2016
KR	1020160022755	3/2016
KR	1020160061078	5/2016
KR	1020160088067	7/2016
KR	1020160091491	8/2016
KR	2020170000128	1/2017
TW	1401223	7/2013
WO	2003093879	11/2003
WO	2004005141	1/2004
WO	2005058705	6/2005
WO	WO2011065796	6/2011
WO	2011163151	12/2011
WO	2012074802	6/2012
WO	2012141505	10/2012

## OTHER PUBLICATIONS

Protrusion on "F" key of computer keyboard; 1 page; picture taken Oct. 20, 2008.

Protrusion on "5" key of telephone; 1 page; picture take Oct. 20, 2008.

Systech Displays, Inc.; Home page; <http://www.systechdisplays.com/>; Oct. 21, 2008.

International Search Report and Written Opinion for PCT/US2017/051882, dated Nov. 29, 2017.

International Search Report and Written Opinion for PCT/US2014/060300 dated Jan. 27, 2015.

International Search Report and Written Opinion for PCT/US2014/050420 dated Nov. 19, 2014.

International Search Report and Written Opinion for PCT/US2014/071767 dated Apr. 24, 2015.

AMZER—Kristal Screen Protectors—<http://www.amzer.com/kristal/>.

MyScreenPROTECTOR—<https://www.myscreenprotector.com/?lng=3&view=cms&txt=about-my-screen-protector>.

PureGear—PureTek Roll-On Kit—<http://www.pure-gear.com/shop-by-category/screen/puretek-roll-on-kit-antibacterial-antiglare-anti-fingerprint.htm>.

TYLT ALIN Perfect Alignment Screen Protection—<http://www.tytl.com/alin/>.

ZAGG Introduces invisibleSHIELD On Demand and invisible Shield Glass at CES 2—<http://investors.zagg.com/releasedetail.cfm?ReleaseID=817526>.

Machine Translation of DE102013021563, published Jun. 18, 2015.

Amzer—Kristal Screen Protectors <http://www.amzer.com/kristal/>, Jan. 7, 2014.

MyScreenPROTECTO—<https://www.myscreenprotector.com/?lng=3&view=cms&txt=about-my-screen-protector>, Jan. 7, 2014.

PureGear—PureTek Roll-On Kit—<http://www.pure-gear.com/shop-by-category/screen/puretek-roll-on-kit-antibacterial-antiglare-anti-fingerprint.html>, Jan. 7, 2014.

TYLT ALIN Perfect Alignment Screen Protection—<http://www.tytl.com/alin/>, Jan. 7, 2014.

BGG Introduces invisibleSHIELD on Demand and invisible Shield Glass at CES 2014, <http://investors.zagg.com/releasedetail.cfm?ReleaseID=817526>, Jan. 7, 2014.

Machine translation of Kr 10-1135144, Apr. 16, 2012.

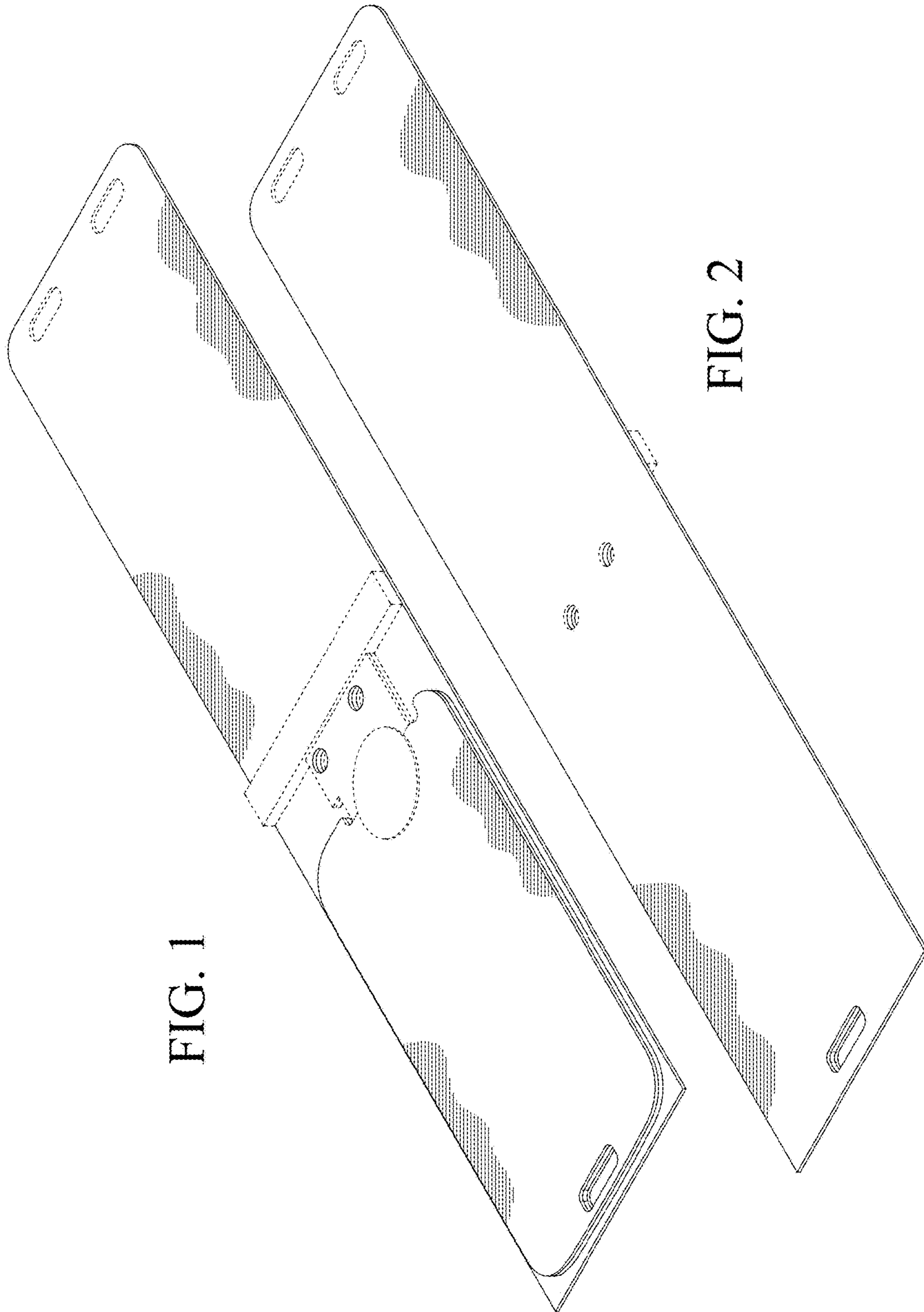


FIG. 1

FIG. 2

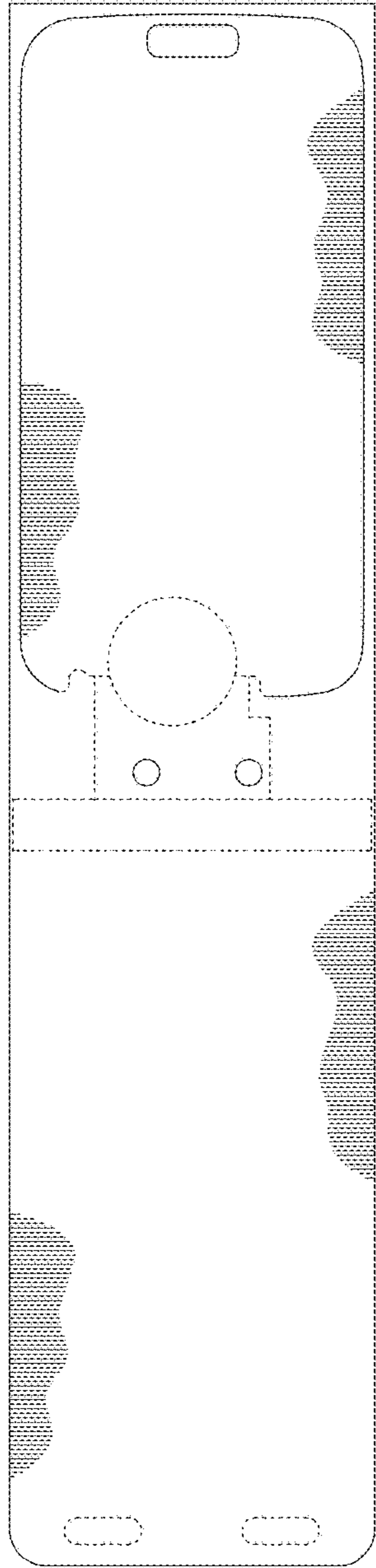


FIG. 3



FIG. 4

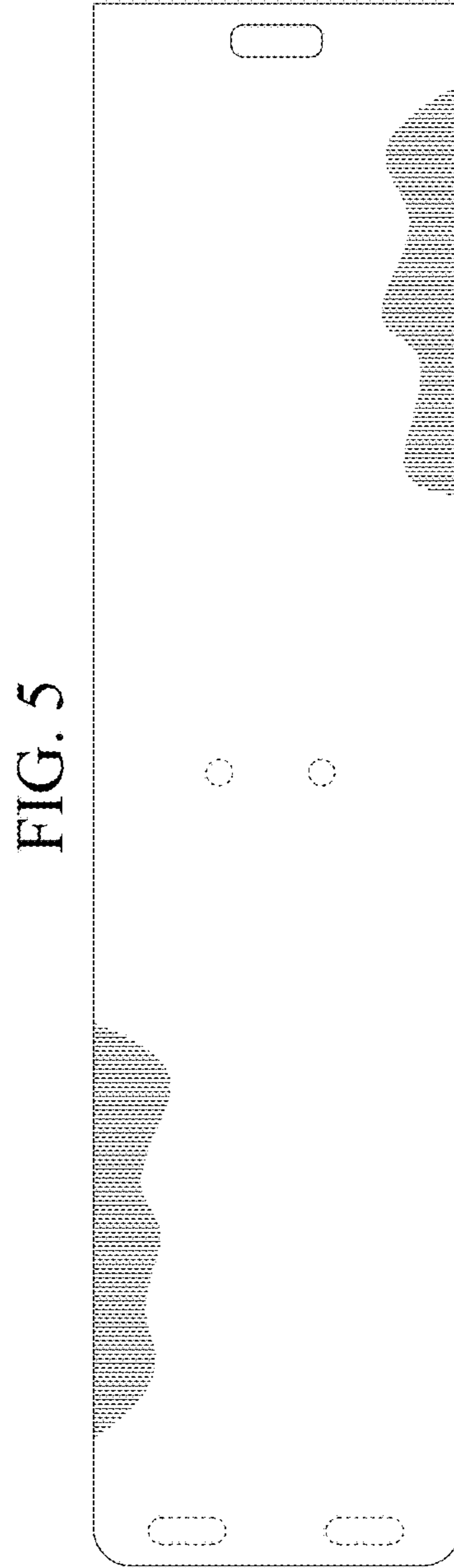


FIG. 5

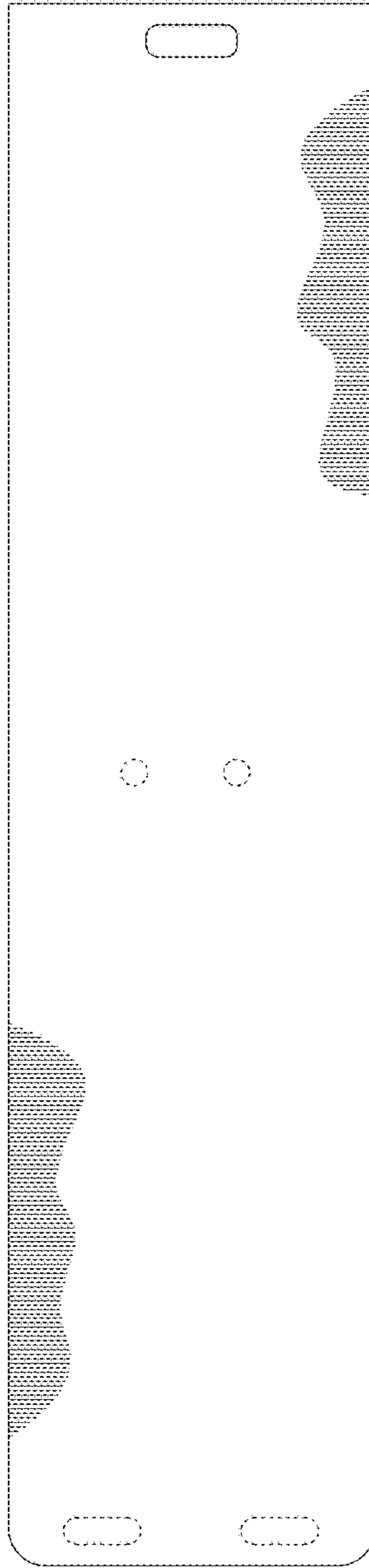


FIG. 6



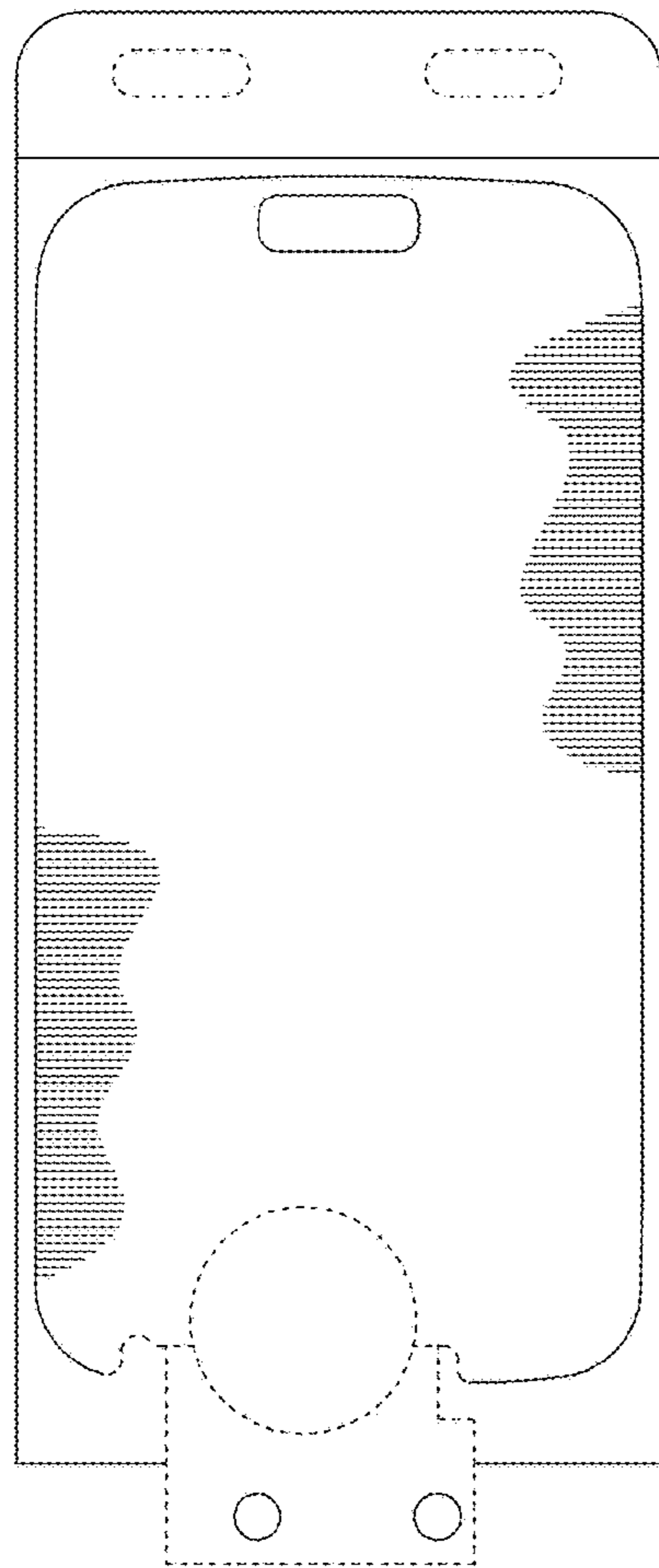


FIG. 7

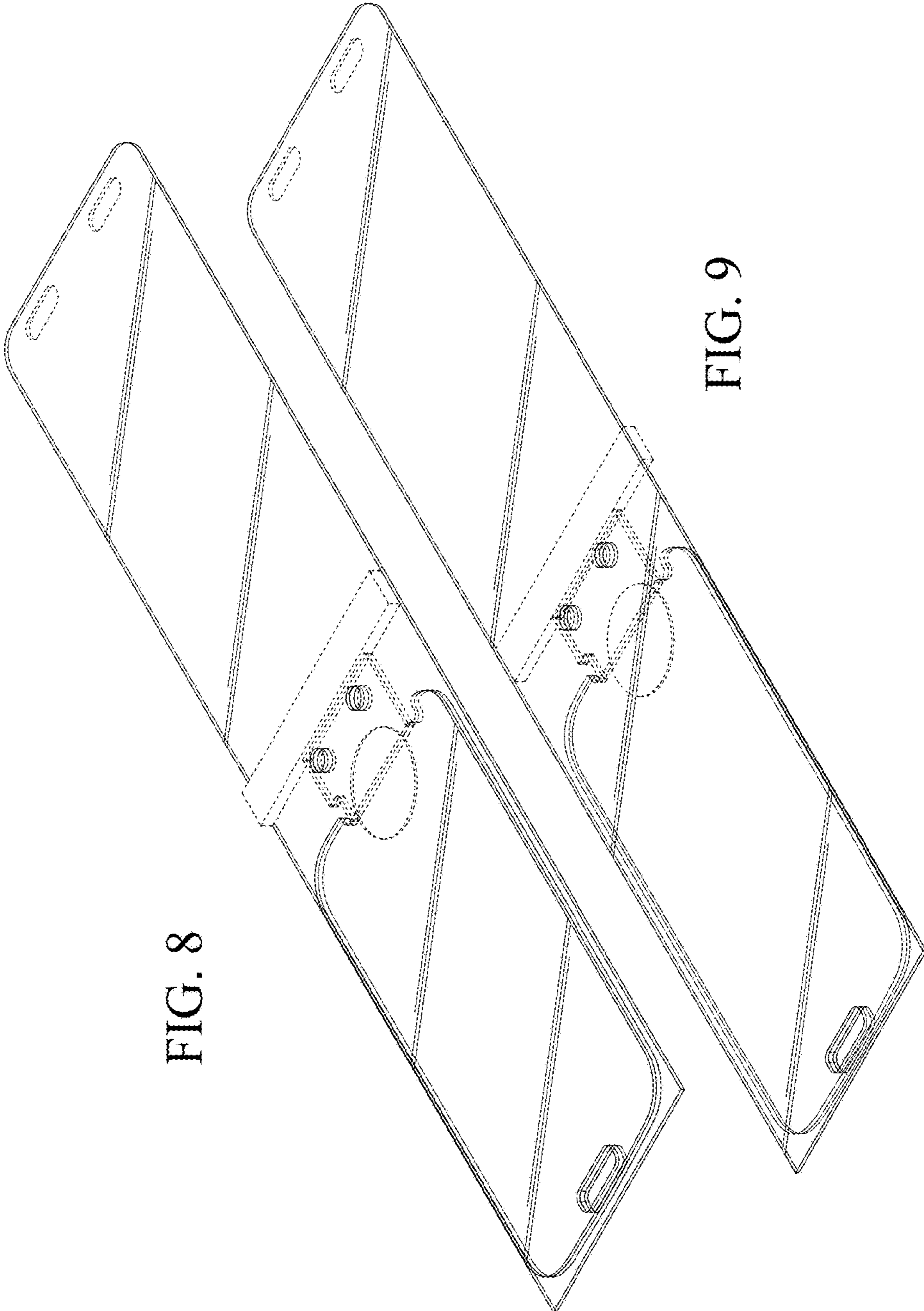


FIG. 8

FIG. 9

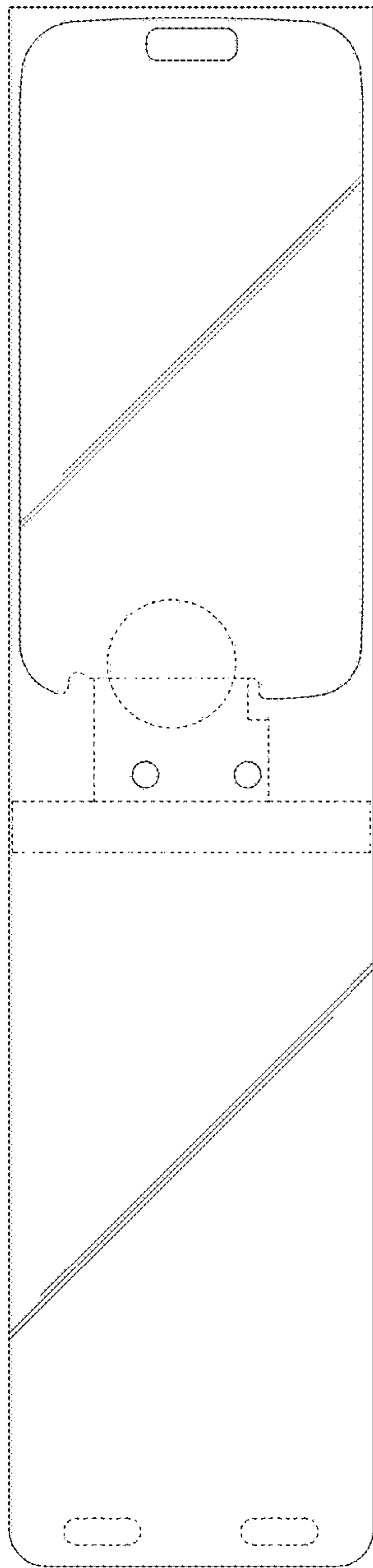


FIG. 10

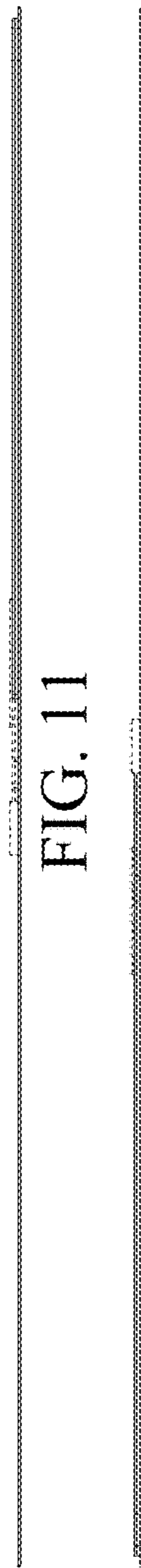


FIG. 11

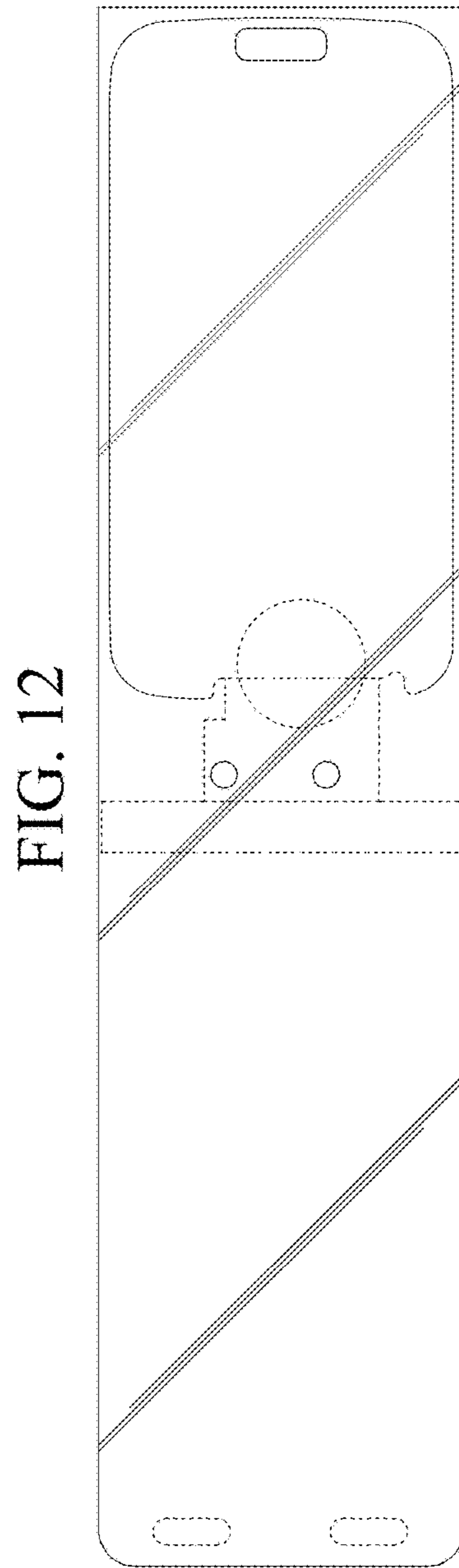


FIG. 12

FIG. 13



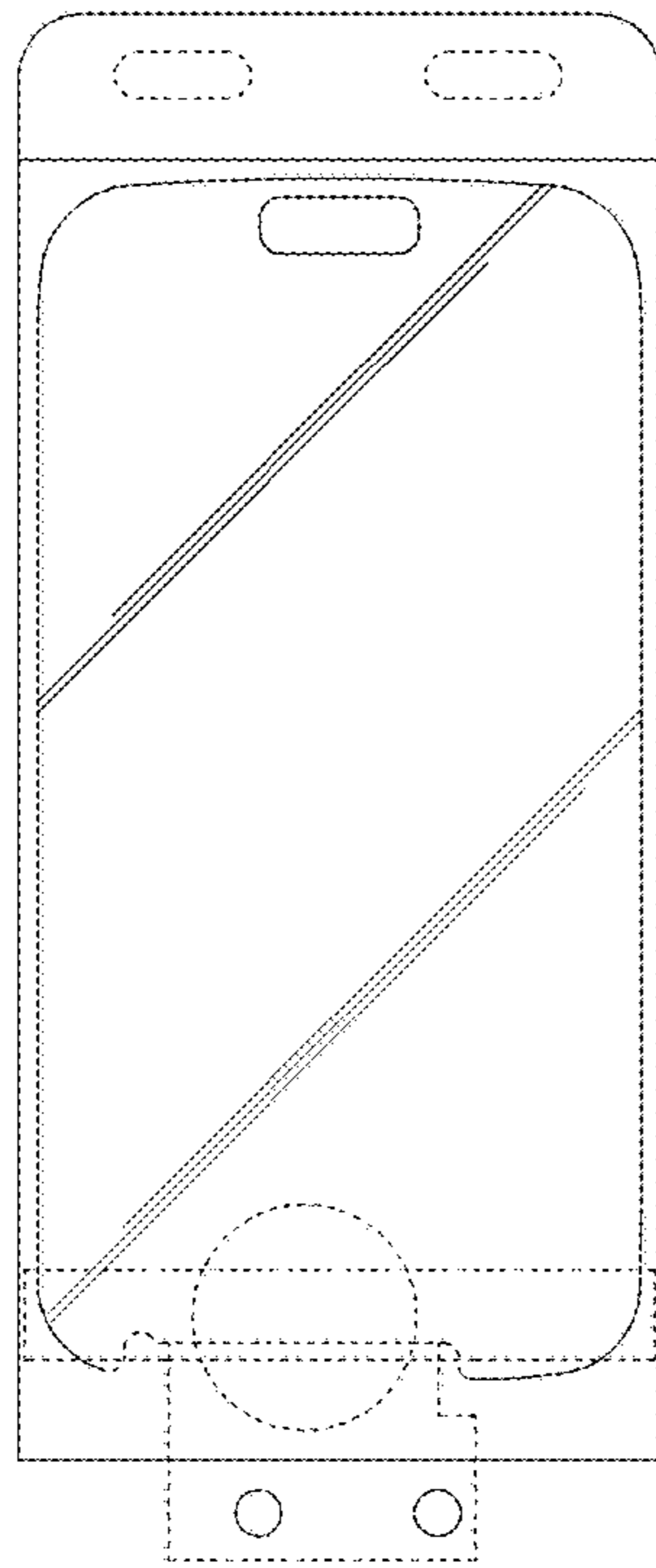


FIG. 14