



US00D856990S

(12) **United States Design Patent** (10) **Patent No.:** **US D856,990 S**
Romano (45) **Date of Patent:** **** Aug. 20, 2019**

(54) **MIRROR USED WITH CONSUMER ELECTRONIC DEVICE**

(71) Applicant: **IDECOZ INC.**, Mount Sinai, NY (US)

(72) Inventor: **Dawn M. Romano**, Farmingville, NY (US)

(73) Assignee: **IDECOZ INC.**, Mount Sinai, NY (US)

(**) Term: **15 Years**

(21) Appl. No.: **29/558,386**

(22) Filed: **Mar. 17, 2016**

Related U.S. Application Data

(63) Continuation-in-part of application No. 15/072,452, filed on Mar. 17, 2016, now abandoned.
(Continued)

(51) **LOC (12) Cl.** **14-03**

(52) **U.S. Cl.**
USPC **D14/250**; D14/252; D6/300

(58) **Field of Classification Search**
USPC D3/201, 226, 227, 247, 249, 250, 269, D3/303; D13/103, 107, 108, 119;
(Continued)

(56) **References Cited**

U.S. PATENT DOCUMENTS

D110,921 S * 8/1938 Fein D28/64.1
2,343,068 A * 2/1944 Luce G02B 5/126
359/542

(Continued)

FOREIGN PATENT DOCUMENTS

DE 20 2005 015 013 U1 5/2006
JP 3188415 U 12/2013

OTHER PUBLICATIONS

Idecoz. "Instagram Post by IDECOZ • Nov 24, 2014 at 7:42pm UTC."
Instagram, Nov. 24, 2014, www.instagram.com/p/vy2vtCRMv5/.

(Continued)

Primary Examiner — Susan E Krakower

Assistant Examiner — L. A. Grabenstetter

(74) *Attorney, Agent, or Firm* — Scully, Scott, Murphy & Presser, P.C.

(57) **CLAIM**

The ornamental design for a mirror used with consumer electronic device, as shown and described.

DESCRIPTION

FIG. 1 is a perspective view of a mirror used with consumer electronic device showing a first embodiment of my new design;

FIG. 2 is a front elevation view thereof;

FIG. 3 is a rear elevation view thereof;

FIG. 4 is a top plan view thereof, the bottom plan view being a mirror image;

FIG. 5 is a side elevation view thereof, the opposite side elevation view being a mirror image;

FIG. 6 is another perspective view thereof;

FIG. 7 is a perspective view of a mirror used with consumer electronic device showing a second embodiment of my new design;

FIG. 8 is a front elevation view thereof;

FIG. 9 is a rear elevation view thereof;

FIG. 10 is a top plan view thereof, the bottom plan view being a mirror image;

FIG. 11 is a side elevation view thereof, the opposite side elevation view being a mirror image;

FIG. 12 is another perspective view thereof;

FIG. 13 is a perspective view of a mirror used with consumer electronic device showing a third embodiment of my new design;

FIG. 14 is a front elevation view thereof;

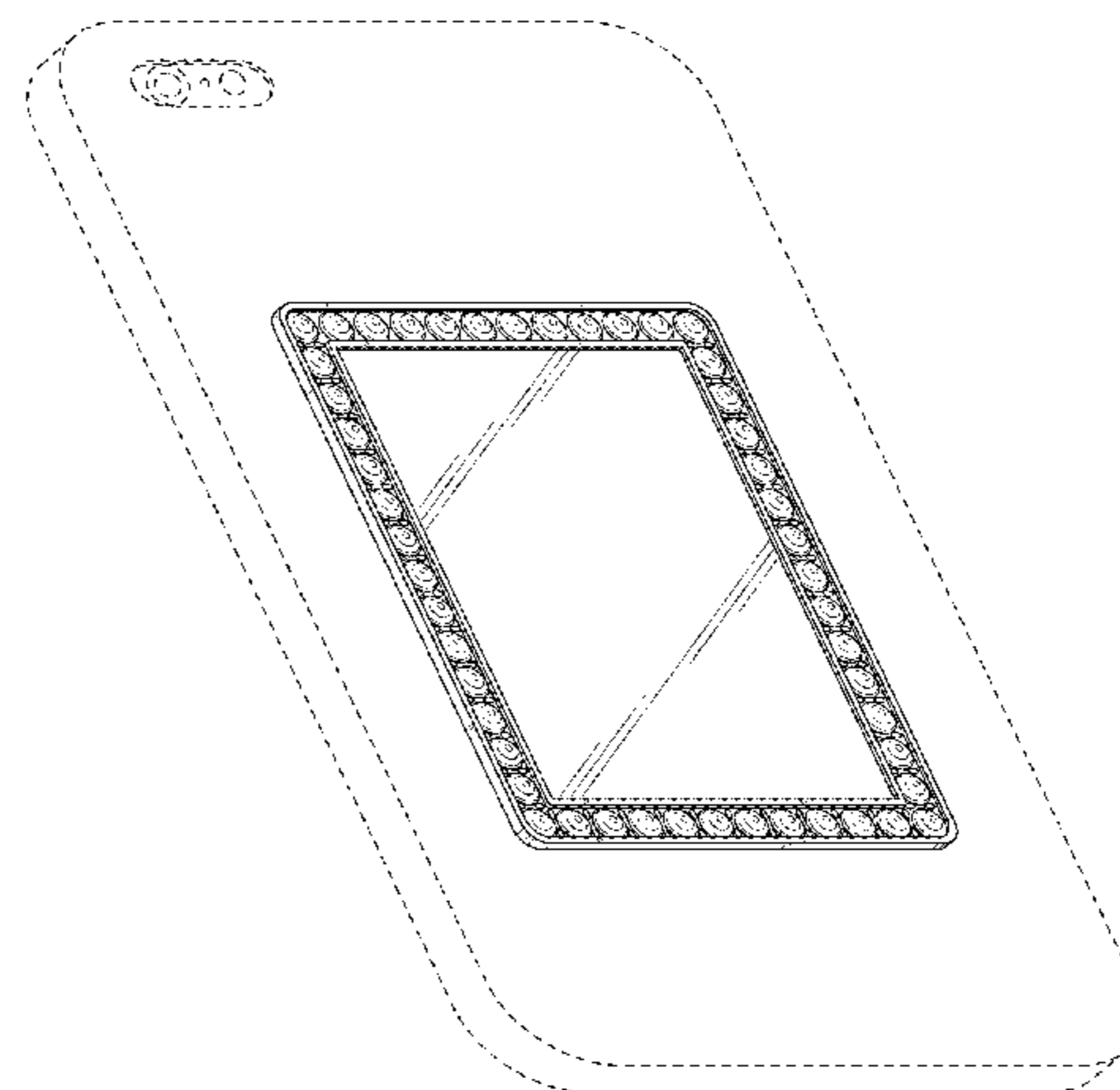
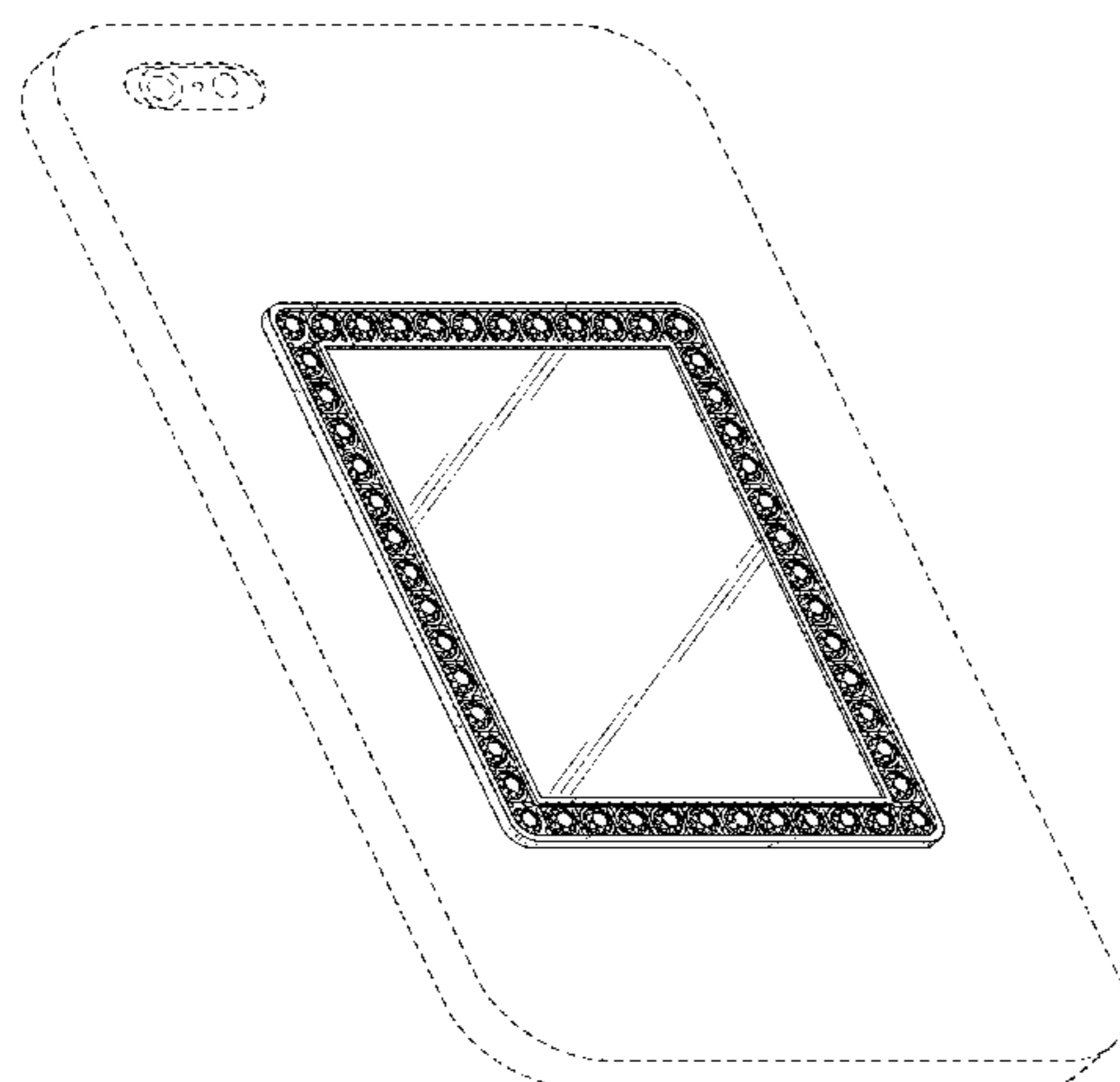
FIG. 15 is a rear elevation view thereof;

FIG. 16 is a top plan view thereof, the bottom plan view and the side elevation views being a mirror image; and,

FIG. 17 is another perspective view thereof.

The broken lines depict portions of the mirror used with consumer electronic device that form no part of the claimed design.

1 Claim, 17 Drawing Sheets



Related U.S. Application Data

(60) Provisional application No. 62/134,318, filed on Mar. 17, 2015.

(58) **Field of Classification Search**

USPC D14/137, 138 R, 138 AA, 138 C, 138 G, D14/203.3–203.7, 217, 238.1, 247, 248, D14/250–253, 440; D6/300, 302, 309; D11/7, 43, 44; D26/51, 53; D28/64.1–64.3, 64.7
 CPC H04B 1/3888; H04M 1/0283; H04M 1/0202; A45C 1/06; A45C 2011/002; A45C 11/00; A45F 2005/028; A45F 2200/0525

See application file for complete search history.

(56) **References Cited**

U.S. PATENT DOCUMENTS

D188,303 S * 6/1960 Zoltowska D28/64.1
 3,381,119 A * 4/1968 Brickman A45C 15/06
 362/137
 4,276,704 A * 7/1981 Heller G06K 19/02
 283/108
 D280,352 S * 8/1985 Ardito D28/64.1
 5,148,618 A * 9/1992 Brewster G09F 3/18
 40/626
 5,580,915 A 12/1996 Lin
 D378,251 S * 3/1997 Levin D6/300
 D407,666 S * 4/1999 Churchville D11/131
 D420,765 S * 2/2000 Schroeder D28/64.1
 D438,018 S * 2/2001 Choi D6/300
 D444,176 S * 6/2001 Leslie D19/113
 D452,995 S * 1/2002 Barry D6/300
 D462,181 S * 9/2002 Vandebussche D6/310

D464,808 S * 10/2002 Martinez D6/300
 D604,955 S * 12/2009 Kuo D6/309
 D613,075 S * 4/2010 DeNicola D14/448
 D613,338 S * 4/2010 Marukos D20/10
 D669,691 S * 10/2012 Blaser D6/300
 D678,871 S * 3/2013 Mishan D14/250
 D679,685 S * 4/2013 Cox D14/250
 D681,620 S * 5/2013 Huskinson D14/250
 8,556,447 B2 10/2013 Griggs
 D712,890 S * 9/2014 McCormac D14/250
 D712,894 S * 9/2014 Drexler D14/250
 8,833,379 B1 9/2014 Kaplan
 D719,747 S * 12/2014 Mischel, Jr. D6/309
 D720,647 S * 1/2015 Kwon D11/43
 D743,704 S * 11/2015 Kaiser D6/300
 D749,069 S * 2/2016 Senoff D14/251
 D749,329 S * 2/2016 Kaiser D6/300
 D749,559 S * 2/2016 Senoff D14/251
 D779,835 S * 2/2017 Zhang D6/300
 D781,832 S * 3/2017 Snitko D14/250
 2002/0137474 A1 9/2002 Wu
 2004/0173235 A1 9/2004 Kim et al.
 2006/0188668 A1 8/2006 Wahba
 2010/0195222 A1 8/2010 Eccher et al.
 2016/0077401 A1 3/2016 Lamberger
 2016/0219199 A1 7/2016 Streuter et al.

OTHER PUBLICATIONS

Idecoz. “Mirror, Mirror on the . . . phone.” Feb. 4, 2014, <https://web.archive.org/web/20140204050253/http://www.decoz.com:80/>.
 Idecoz. “Counterfeit Warning.” Nov. 6, 2017. <https://www.idecoz.com/counterfeit-warning>.
 Idecoz. “Unbreakable rectangle phone mirror—gold with crystals.” Nov. 6, 2017. <https://www.walletsonline.com/product.asp?itemId=1616>.

* cited by examiner

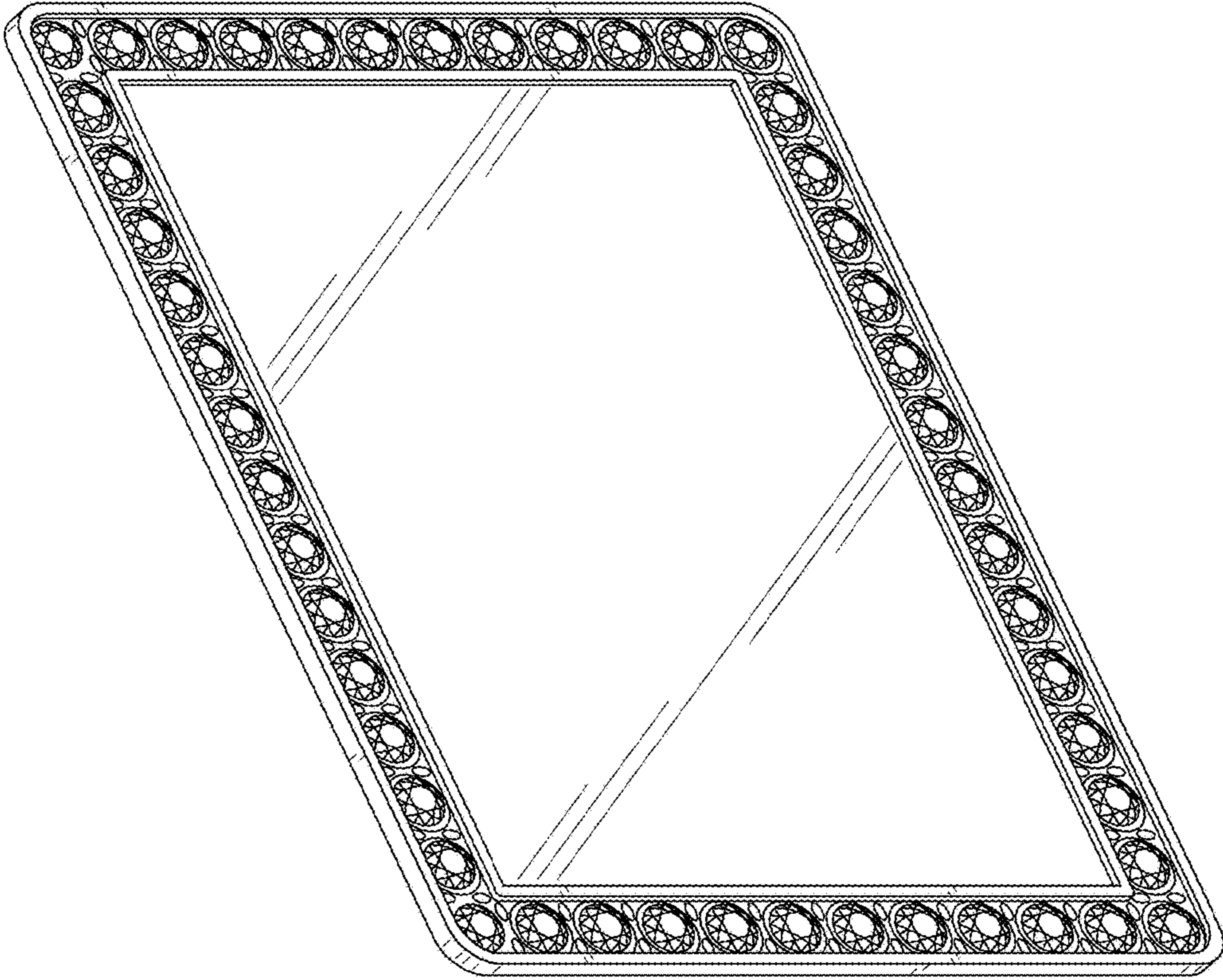


FIG. 1

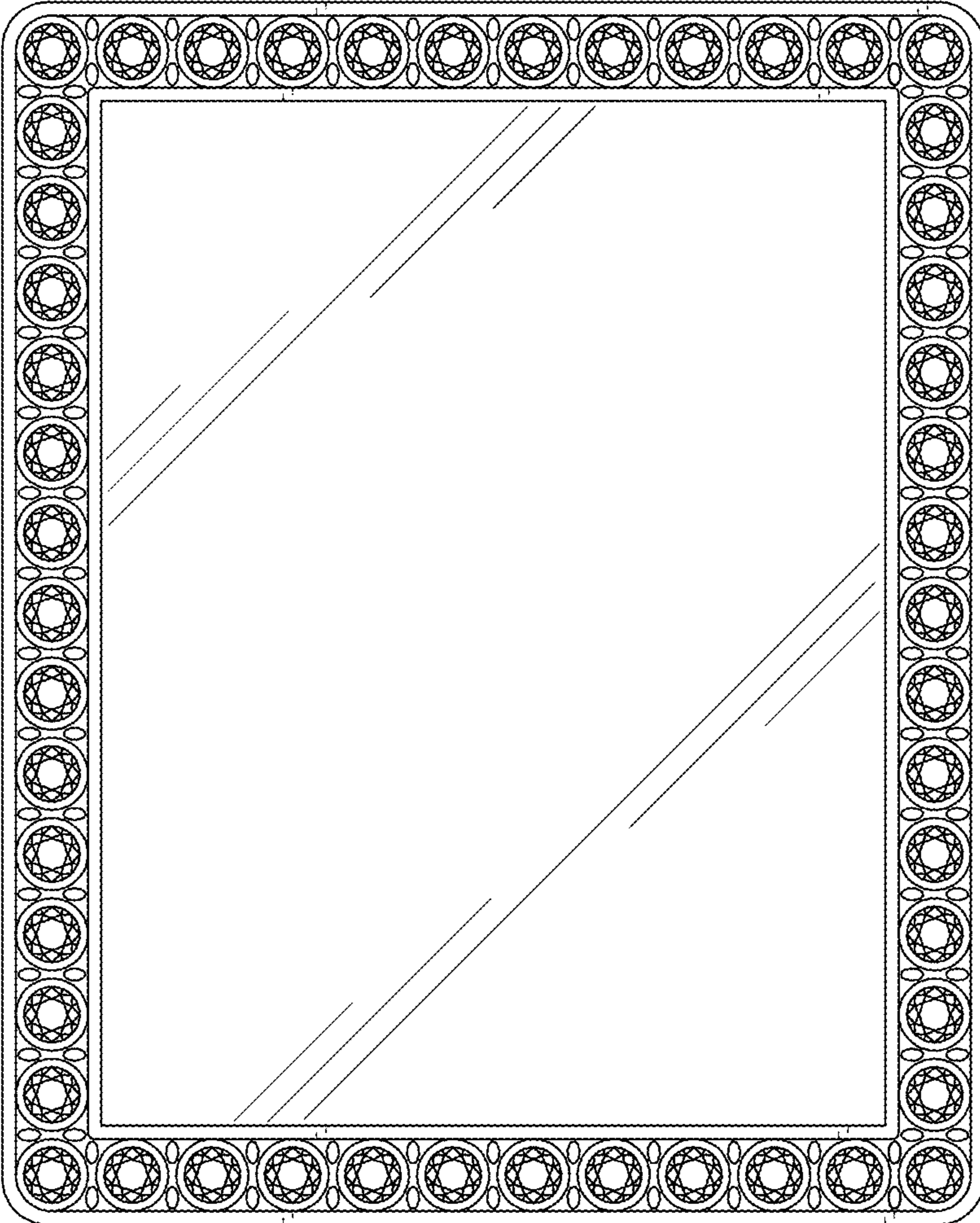


FIG. 2

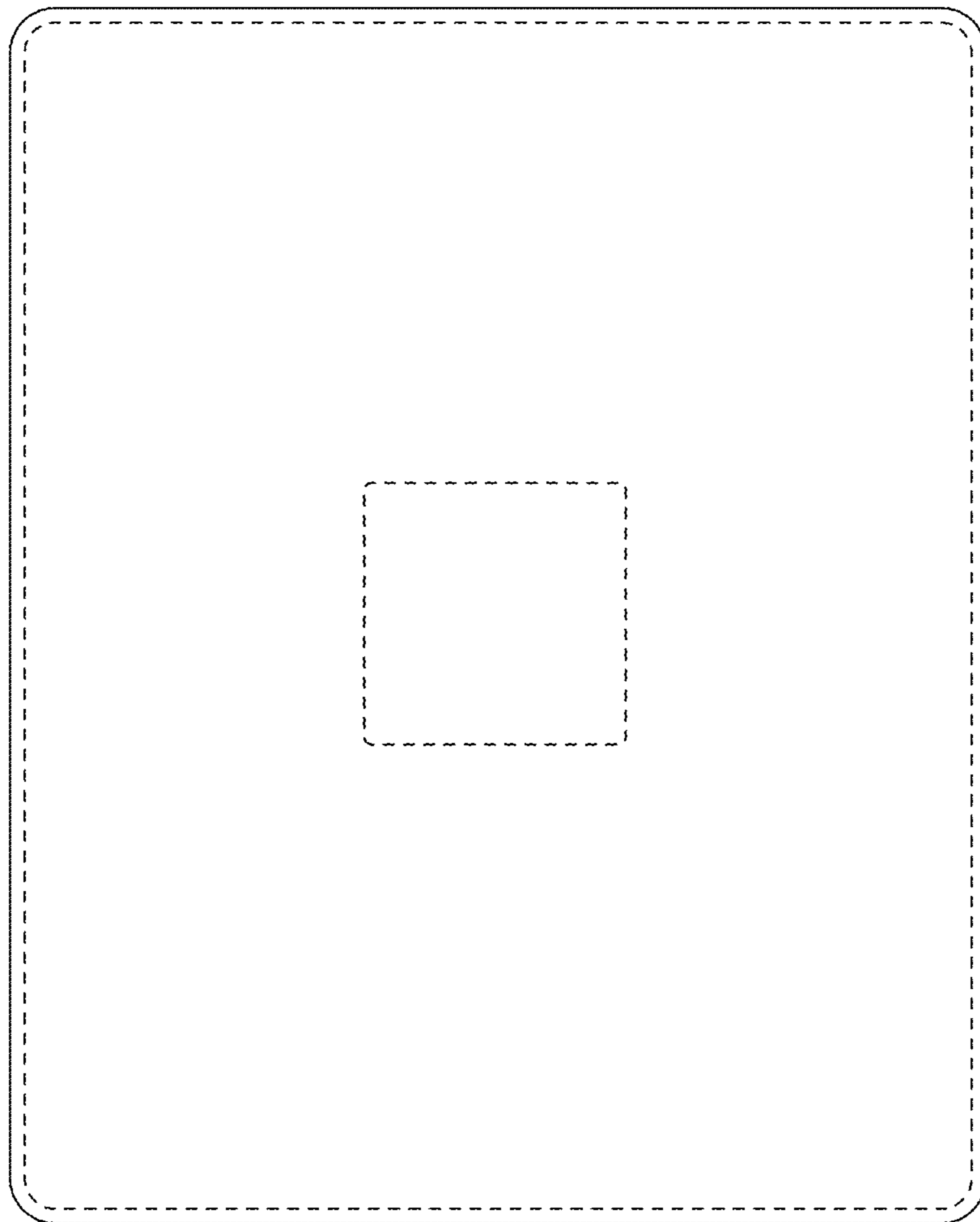


FIG. 3



FIG. 4



FIG. 5

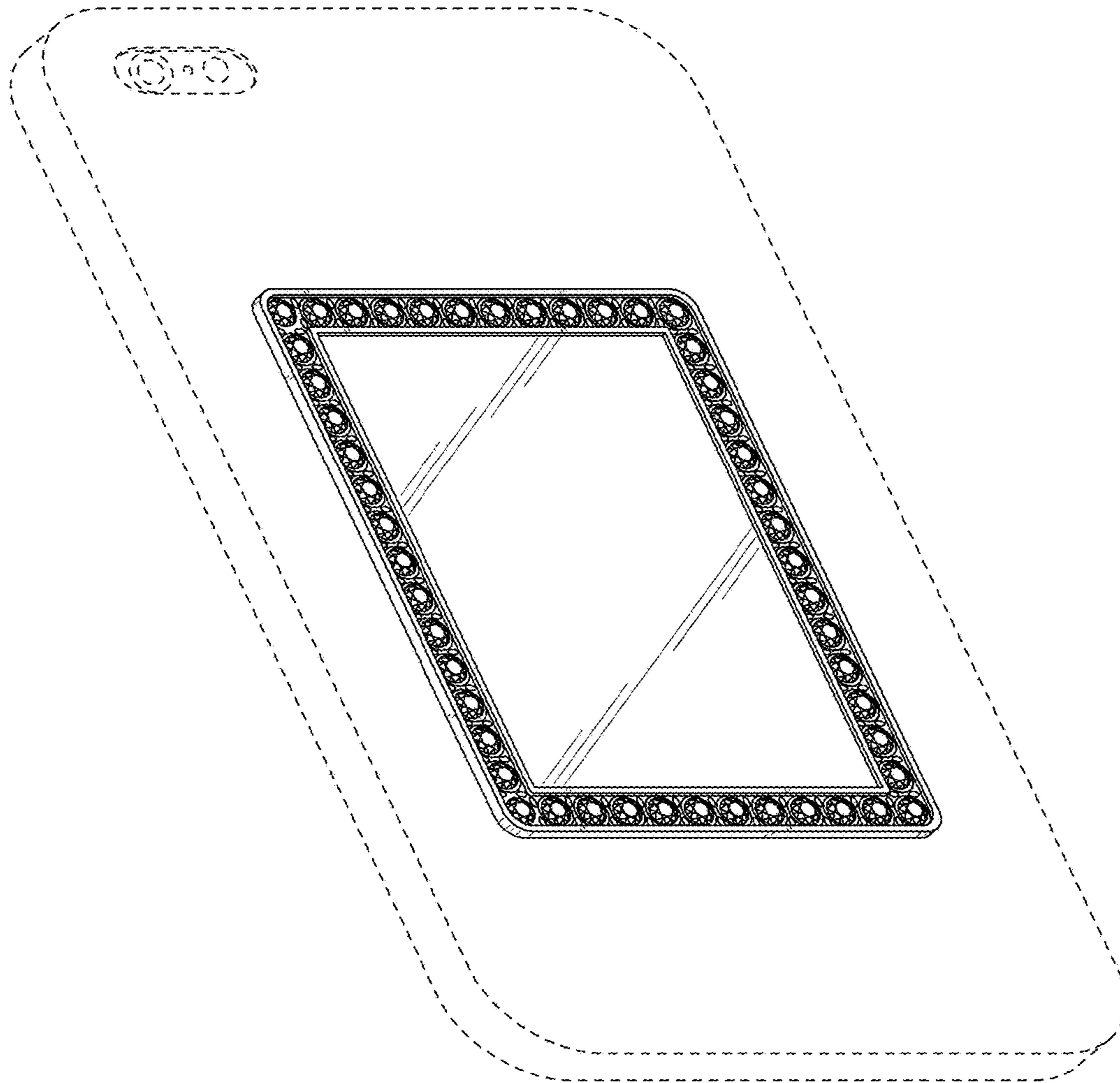


FIG. 6

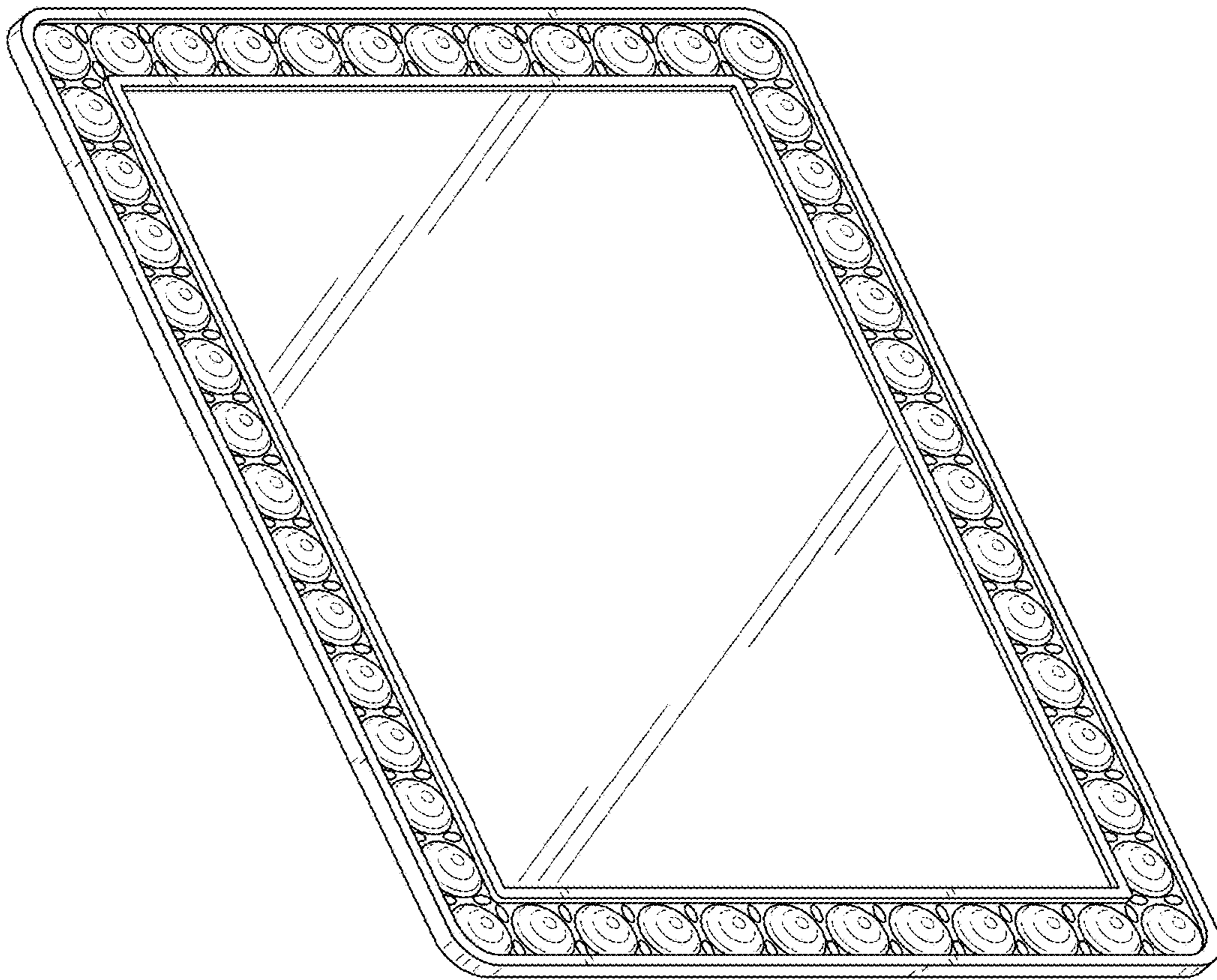


FIG. 7

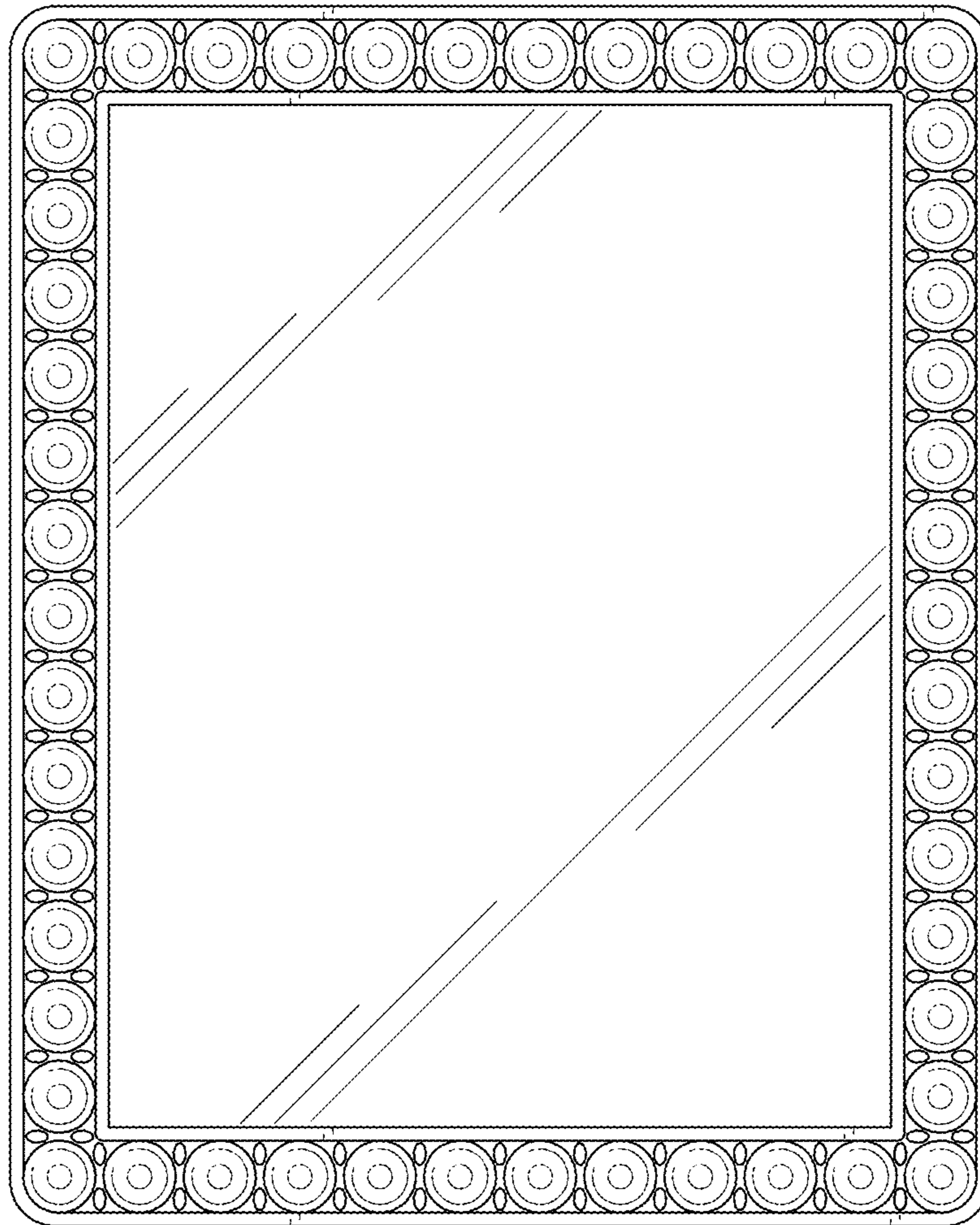


FIG. 8

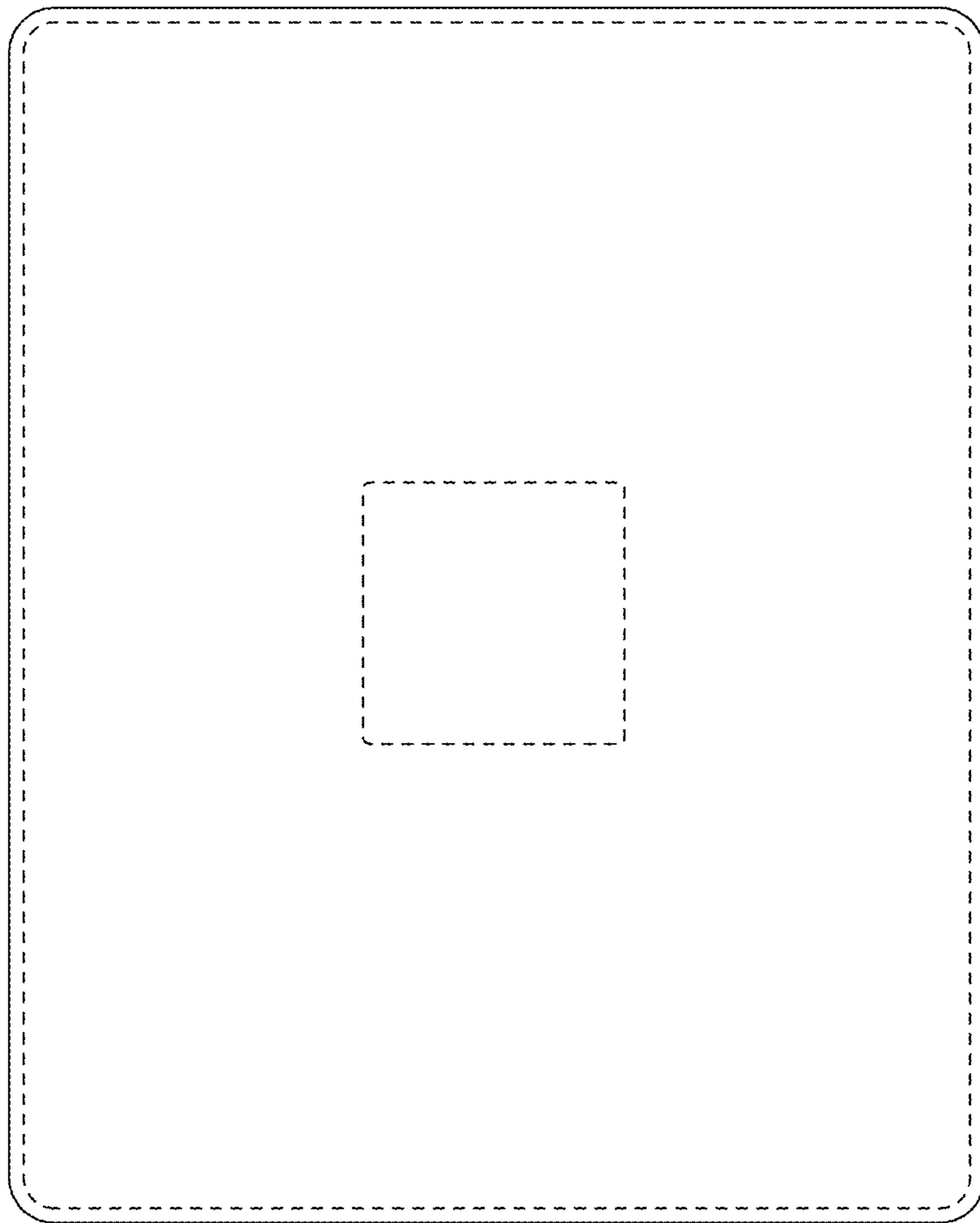


FIG. 9



FIG. 10



FIG. 11

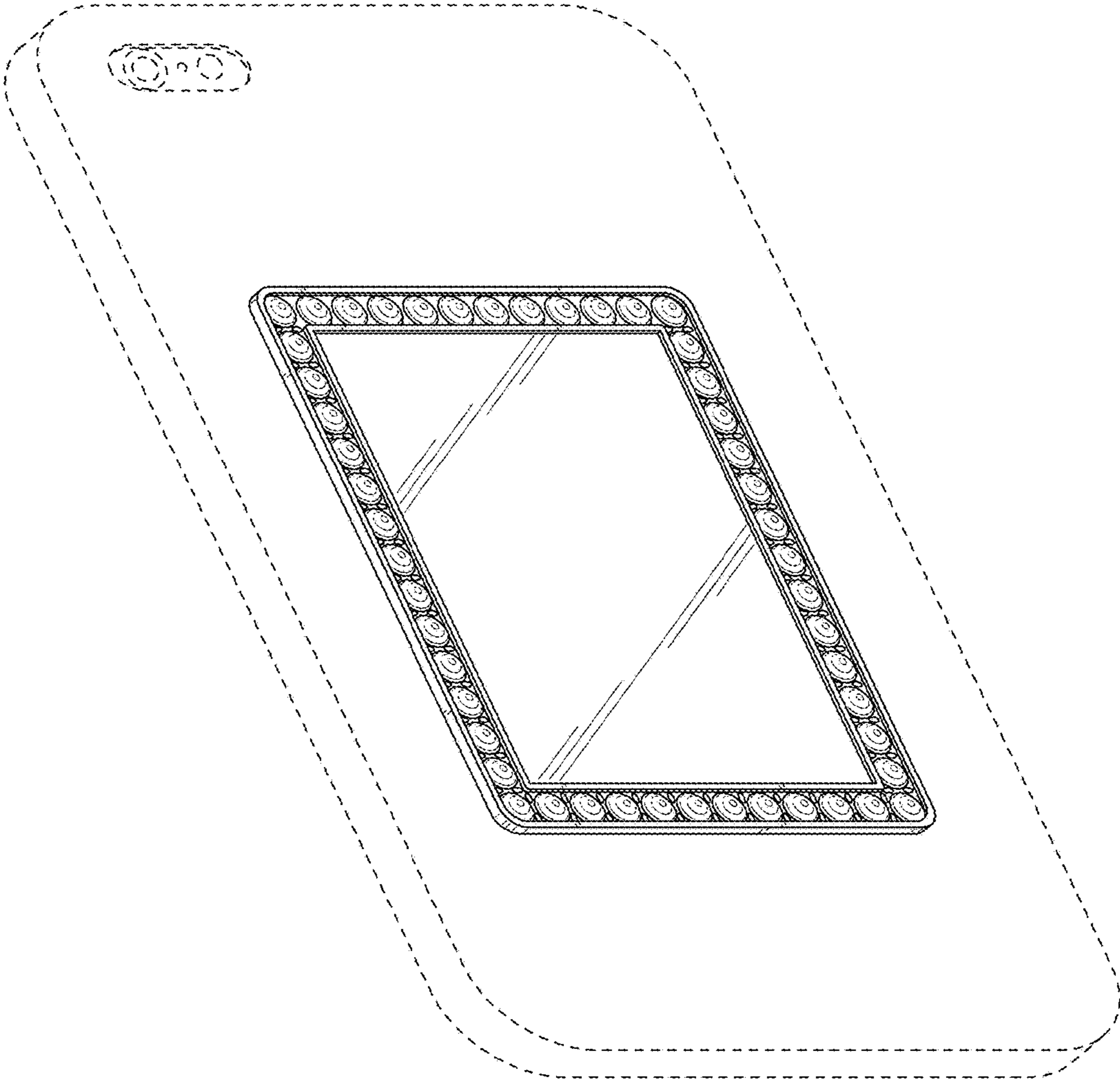


FIG. 12

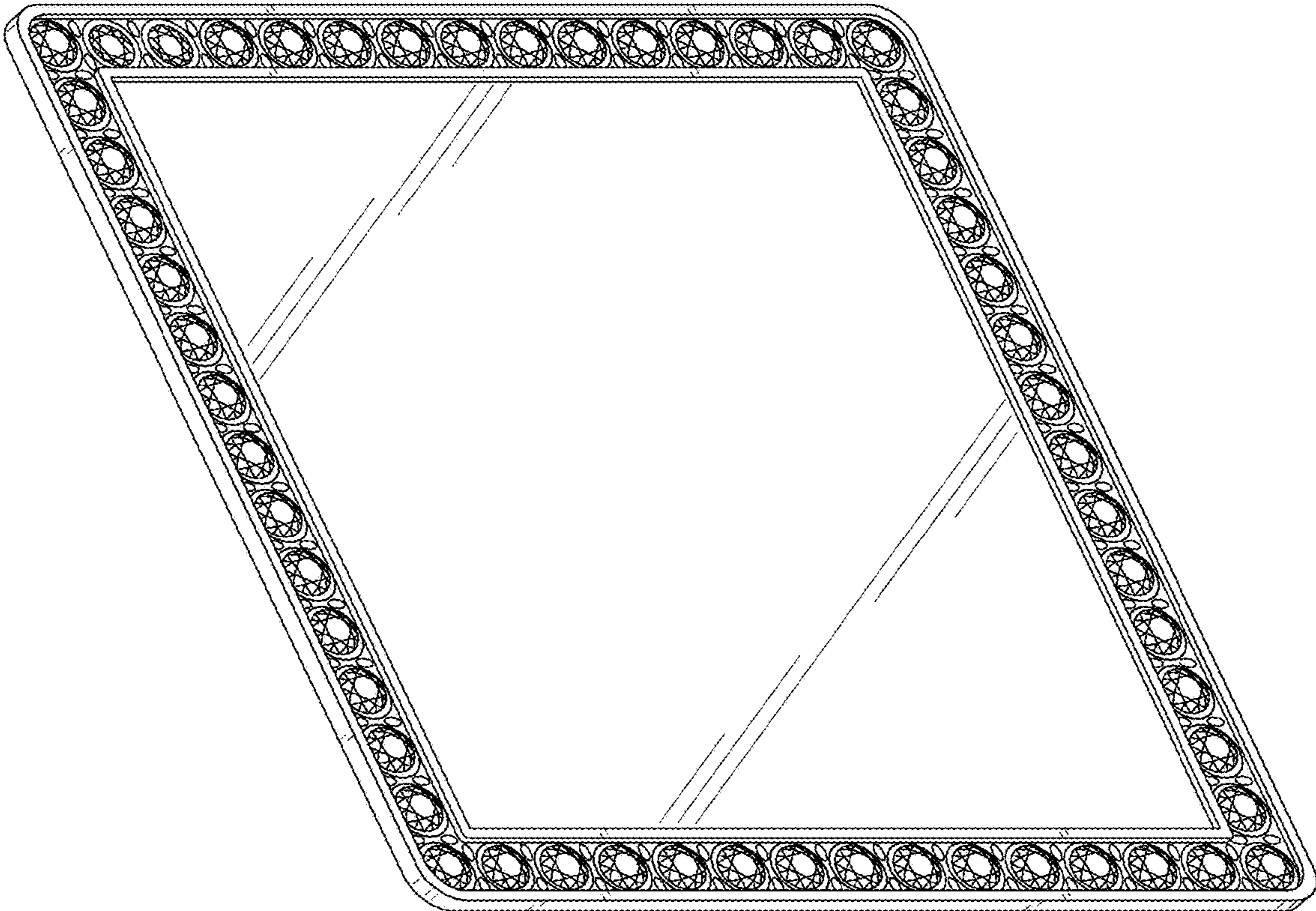


FIG. 13

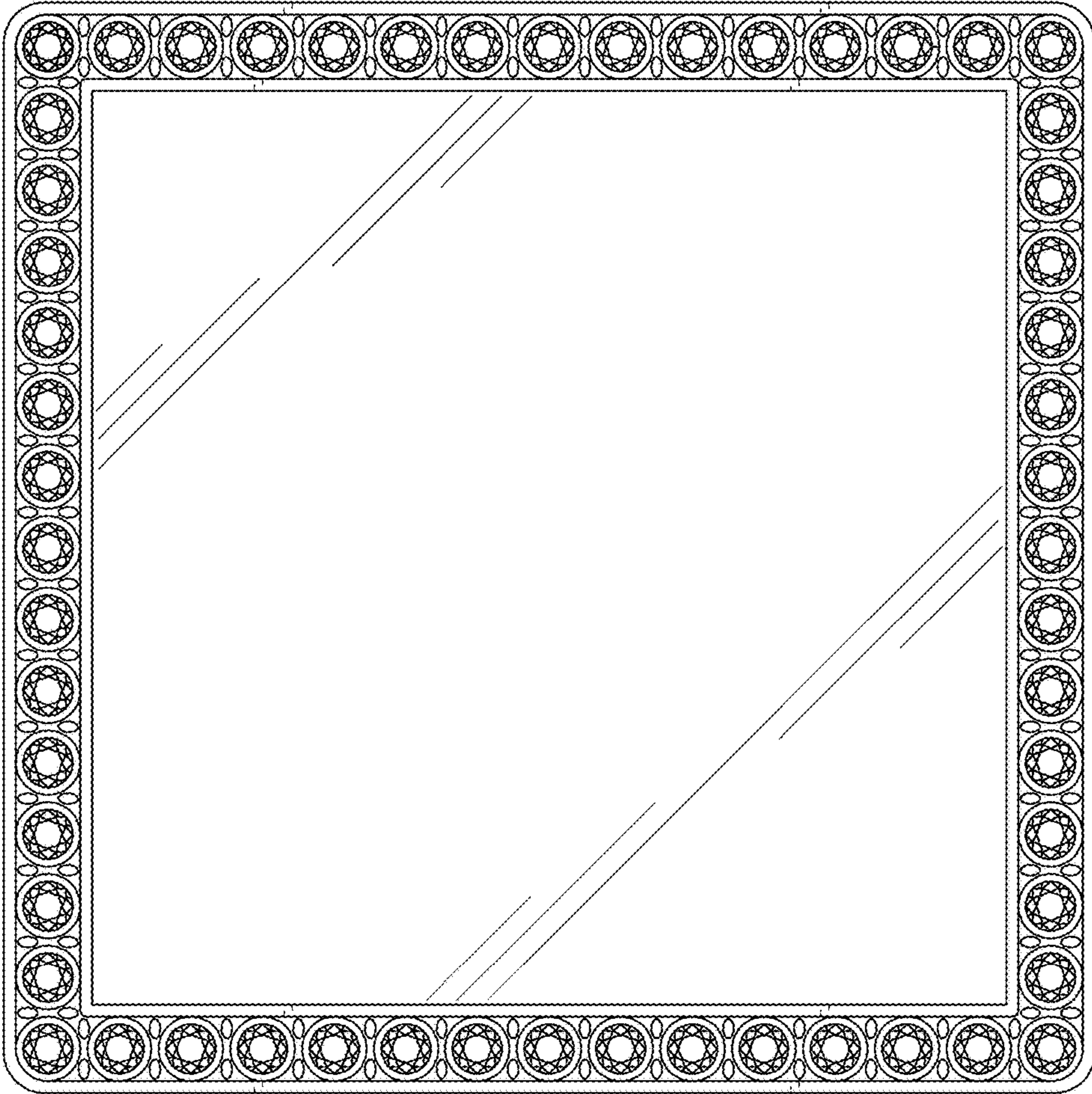


FIG. 14

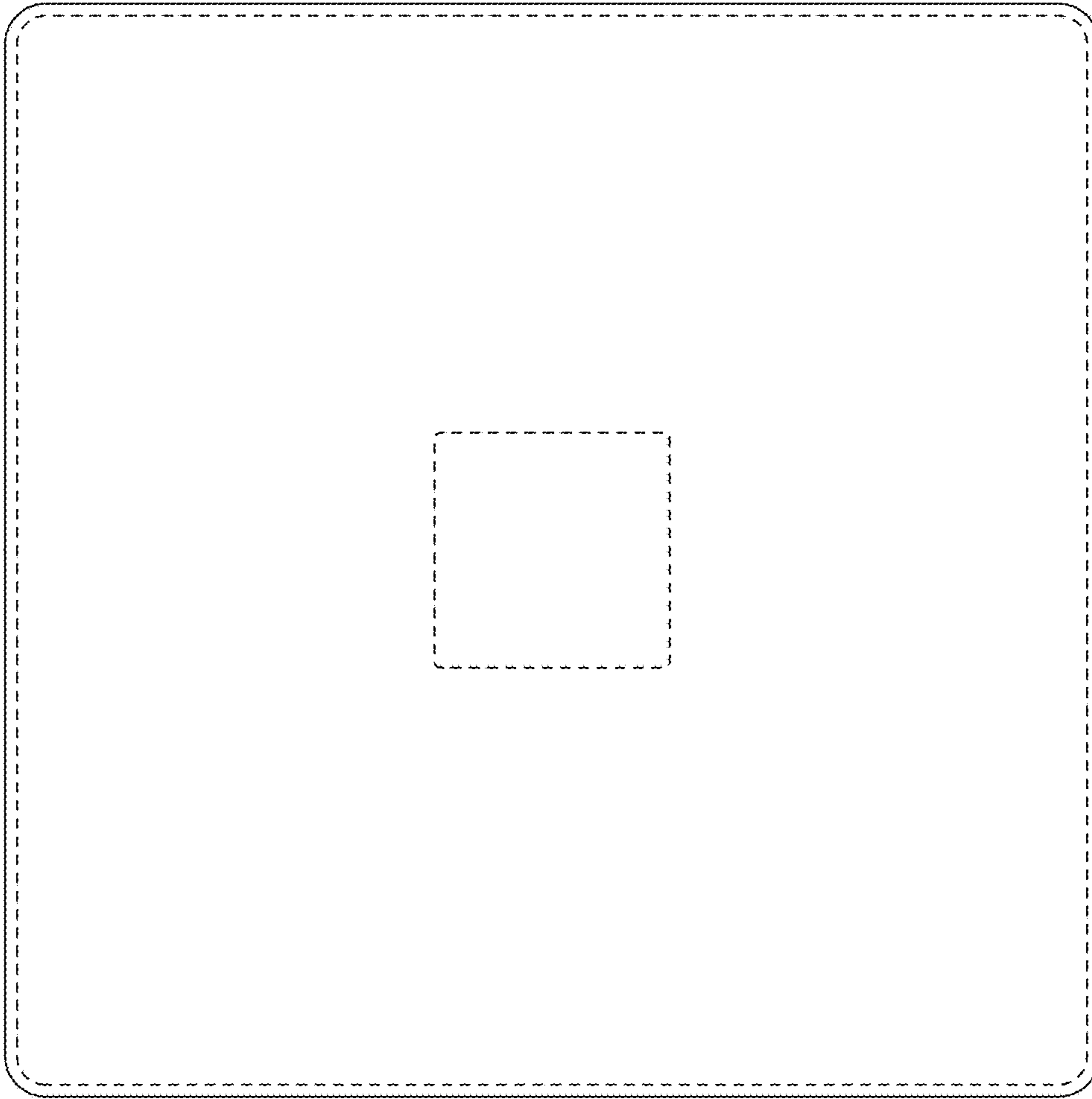


FIG. 15



FIG. 16

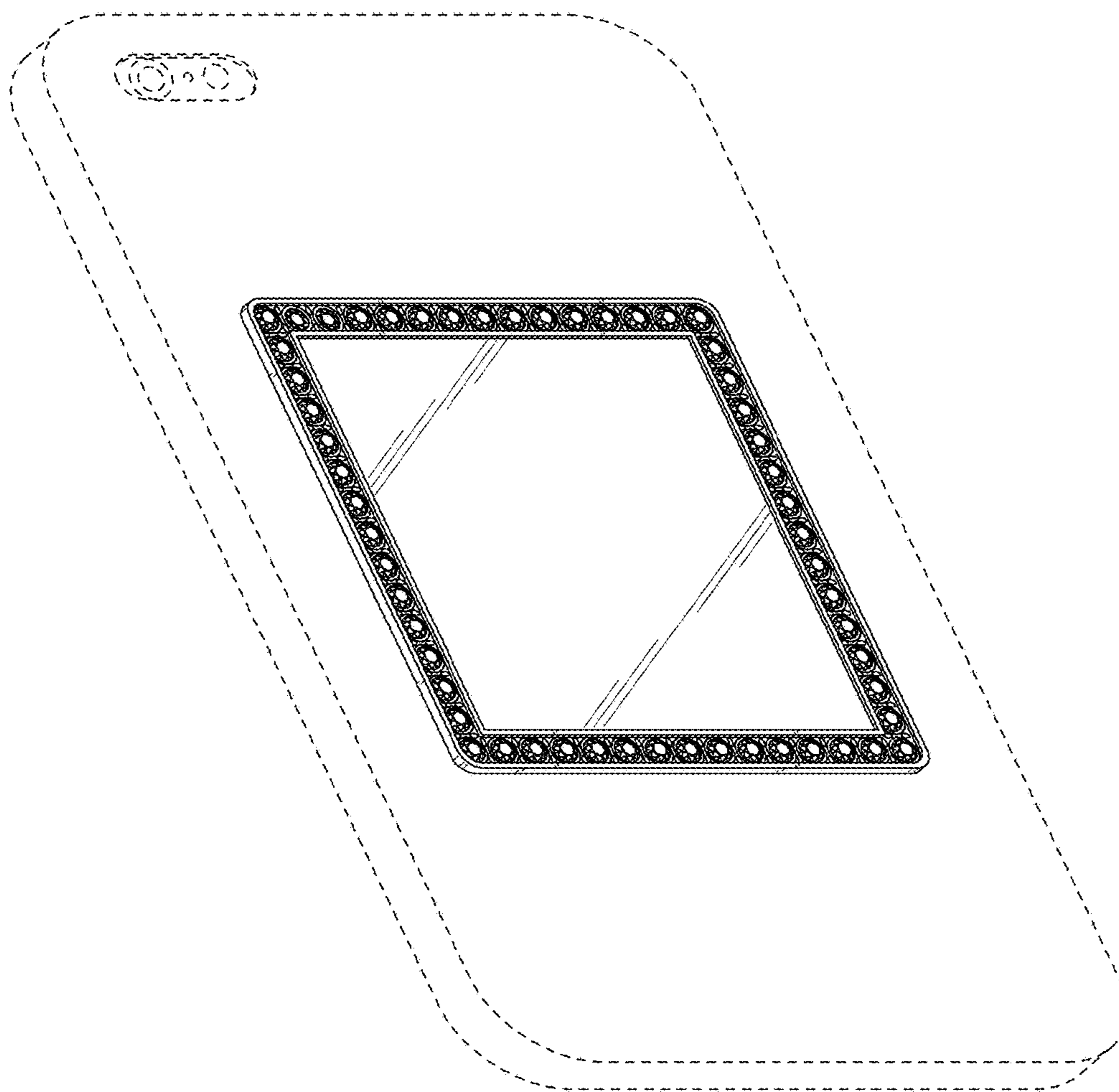


FIG. 17