



US00D856986S

(12) **United States Design Patent** (10) **Patent No.:** **US D856,986 S**
Chang et al. (45) **Date of Patent:** **** Aug. 20, 2019**

- (54) **ANTENNA**
- (71) Applicant: **Airgain Incorporated**, San Diego, CA (US)
- (72) Inventors: **Wei Chang**, Zhang Jia Gang (CN); **Jindan Zhao**, Zhang Jia Gang (CN); **Xiangjie Bian**, Zhang Jia Gang (CN)
- (73) Assignee: **Airgain Incorporated**, San Diego, CA (US)
- (**) Term: **15 Years**
- (21) Appl. No.: **29/631,123**
- (22) Filed: **Dec. 27, 2017**

Related U.S. Application Data

- (62) Division of application No. 29/534,758, filed on Jul. 30, 2015, now Pat. No. Des. 813,851.
- (51) **LOC (12) Cl.** **14-03**
- (52) **U.S. Cl.**
USPC **D14/230**
- (58) **Field of Classification Search**
USPC D14/230, 231, 232, 233, 234, 235, 236, D14/237, 238, 138, 299, 358
CPC H01Q 1/36; H01Q 1/243; H01Q 1/38; H01Q 1/242; H01Q 1/3275; H01Q 13/10; H01Q 3/24; H01Q 9/42; H01Q 5/371; G06K 19/07749; H01L 33/48; H01L 33/486; H01L 23/02; H01K 3/00
See application file for complete search history.

(56) **References Cited**

U.S. PATENT DOCUMENTS

- D530,707 S * 10/2006 Chen D14/230
- D572,243 S * 7/2008 Lin D14/230
- D582,400 S * 12/2008 Takisawa D14/230
- D606,053 S * 12/2009 Wu D14/230
- D635,963 S * 4/2011 Podduturi D14/230

- D636,382 S * 4/2011 Podduturi D14/230
- D649,962 S * 12/2011 Tseng D14/230
- D702,216 S * 4/2014 Podduturi D14/230
- D710,832 S * 8/2014 Yang D14/230
- D710,833 S * 8/2014 Zheng D14/230
- D733,104 S * 6/2015 Yang D14/230
- 9,077,077 B2 * 7/2015 Wong H01Q 1/243
- D754,108 S * 4/2016 Yang D14/230

(Continued)

Primary Examiner — Susan E Krakower

Assistant Examiner — Jerry Shiuan-Hua Hsu

(74) *Attorney, Agent, or Firm* — Clause Eight IPS; Michael Catania

(57) **CLAIM**

The ornamental design for an antenna, as shown and described.

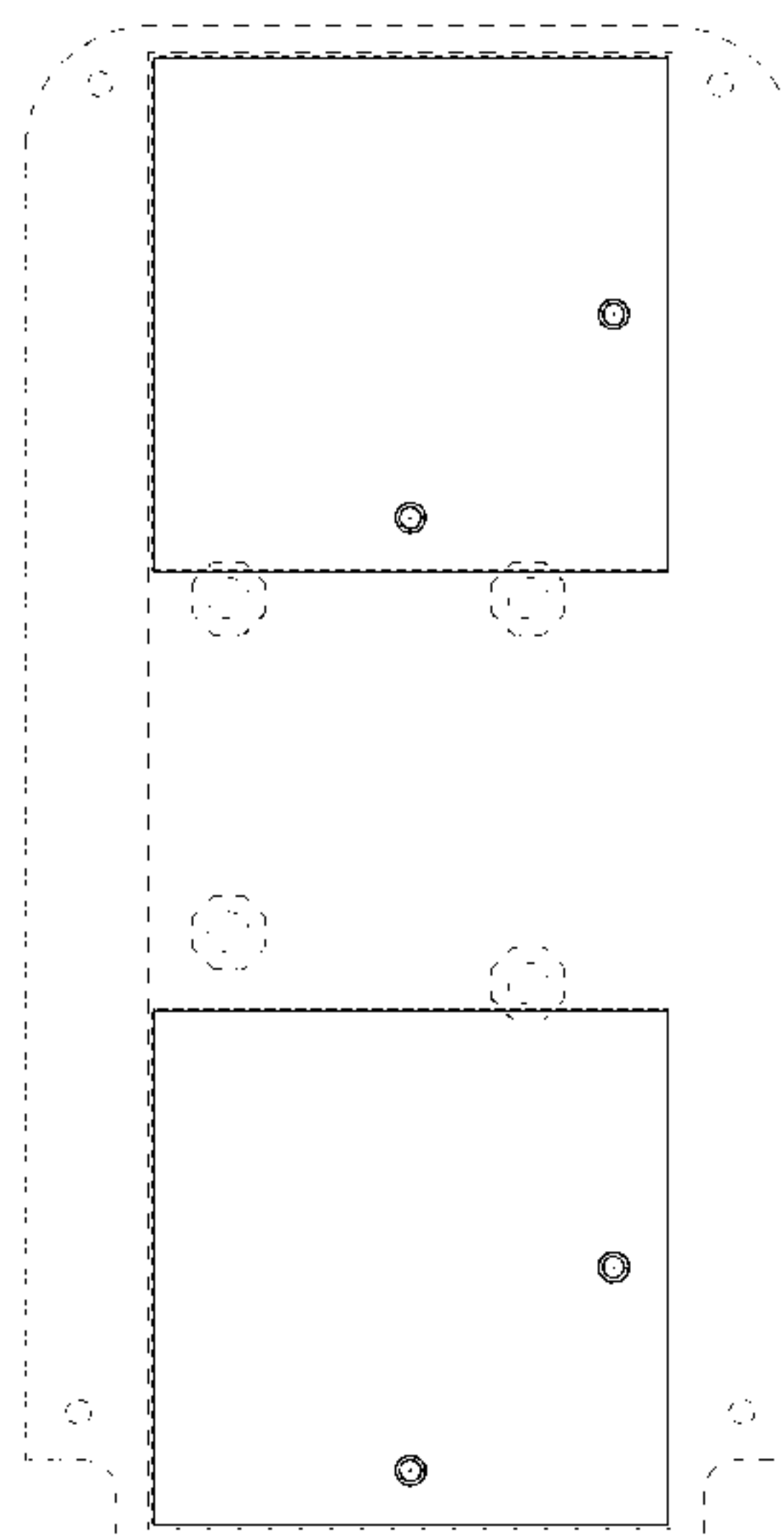
DESCRIPTION

FIG. 1 is top plan view of an antenna showing our new design;
 FIG. 2 is a side elevation view thereof;
 FIG. 3 is an enlarged view of circle 3 of FIG. 2;
 FIG. 4 is a bottom plan view thereof;
 FIG. 5 is an exploded view thereof;
 FIG. 6 is an isolated top plan view of a first and second antenna element shown separately for clarity of disclosure, thereof; and,
 FIG. 7 is an isolated top plan view of a third and fourth antenna element shown separately for clarity of disclosure, thereof.

For clarity of disclosure, the claim is directed to the overall ornamental appearance of the antenna in its entirety and does not extend to the ornamental appearance of each of the individual components in isolation.

The dash-dash broken lines illustrate portions of the antenna that form no part of the claimed design. The dash-dot-dot broken lines illustrate the boundaries of the sectional views and form no part of the claimed design.

1 Claim, 6 Drawing Sheets



(56)

References Cited

U.S. PATENT DOCUMENTS

D767,544 S * 9/2016 Yang D14/230
D776,643 S * 1/2017 He D14/230
D796,493 S * 9/2017 Poddaturi D14/230
D804,457 S * 12/2017 Chang D14/230
D804,458 S * 12/2017 Chang D14/230
D810,056 S * 2/2018 Chang D14/230
D813,851 S * 3/2018 Chang D14/230
D820,242 S * 6/2018 Ku D14/230
2005/0001768 A1* 1/2005 Sekiguchi H01Q 1/38
343/700 MS
2005/0237258 A1* 10/2005 Abramov H01Q 3/24
343/834
2006/0044196 A1* 3/2006 Grant H01Q 1/3275
343/713
2012/0218167 A1* 8/2012 He H01Q 1/38
343/872
2012/0229342 A1* 9/2012 Maeda H01Q 1/36
343/700 MS

* cited by examiner

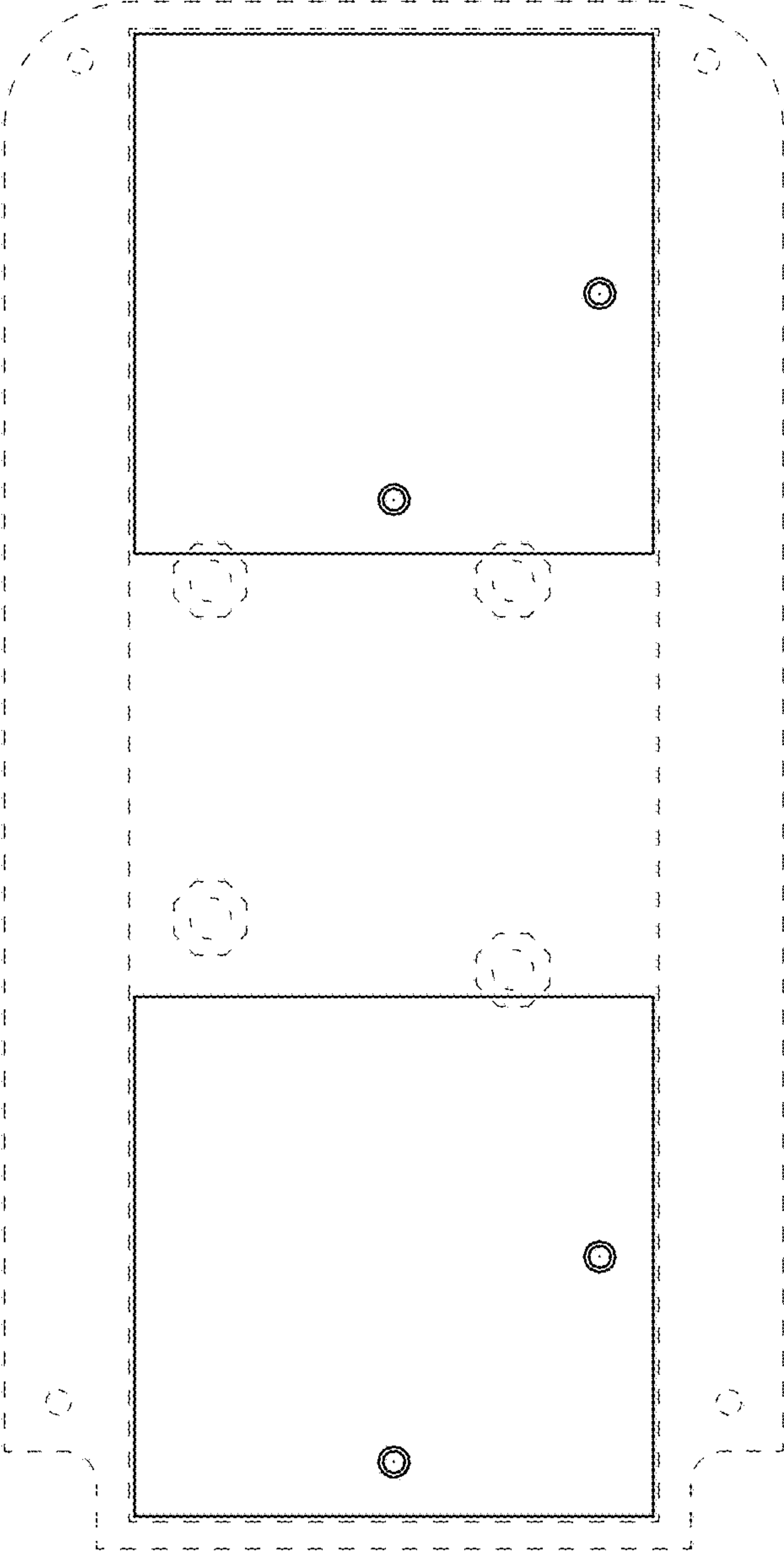


FIG. 1

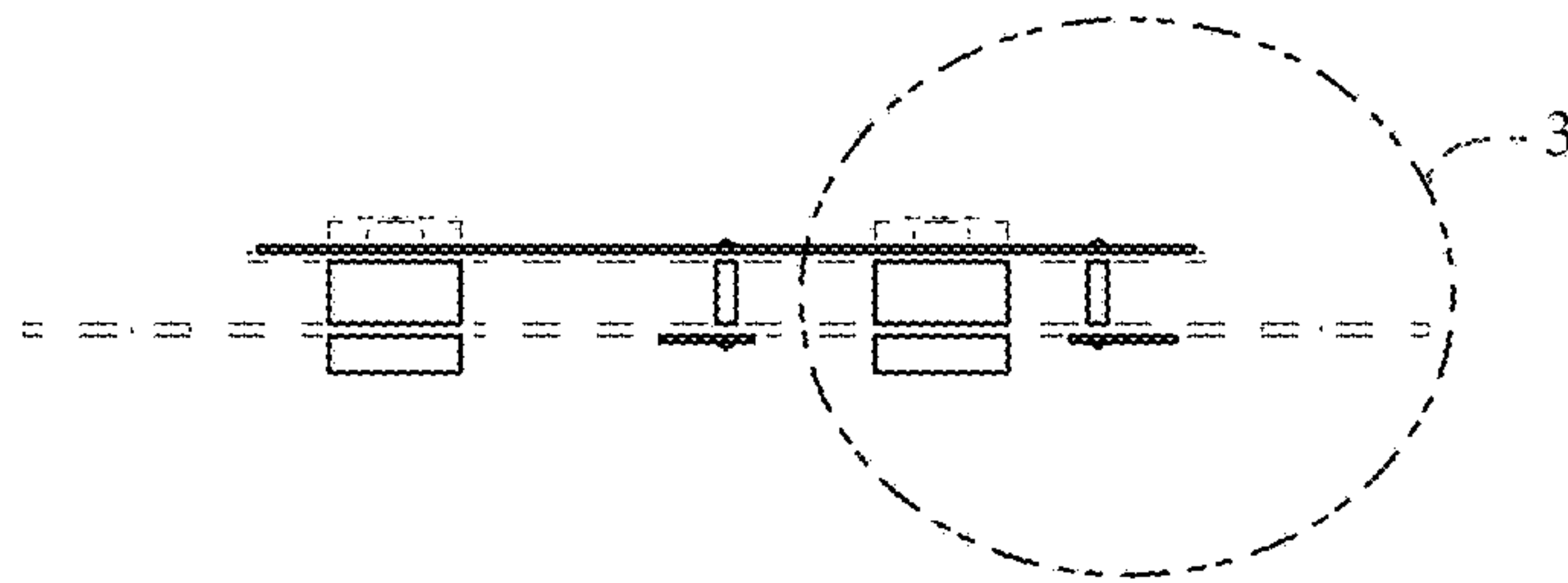


FIG. 2

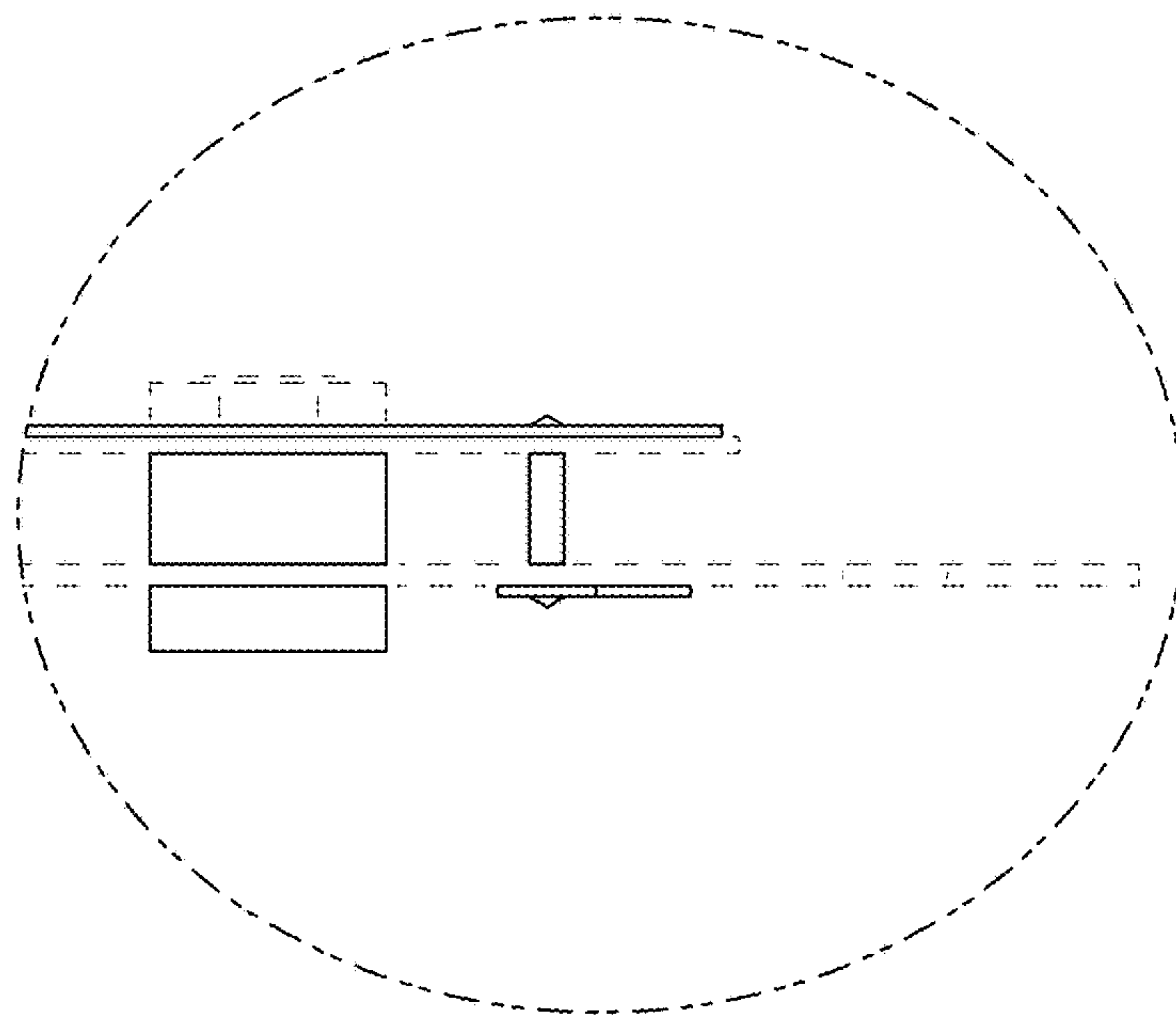


FIG. 3

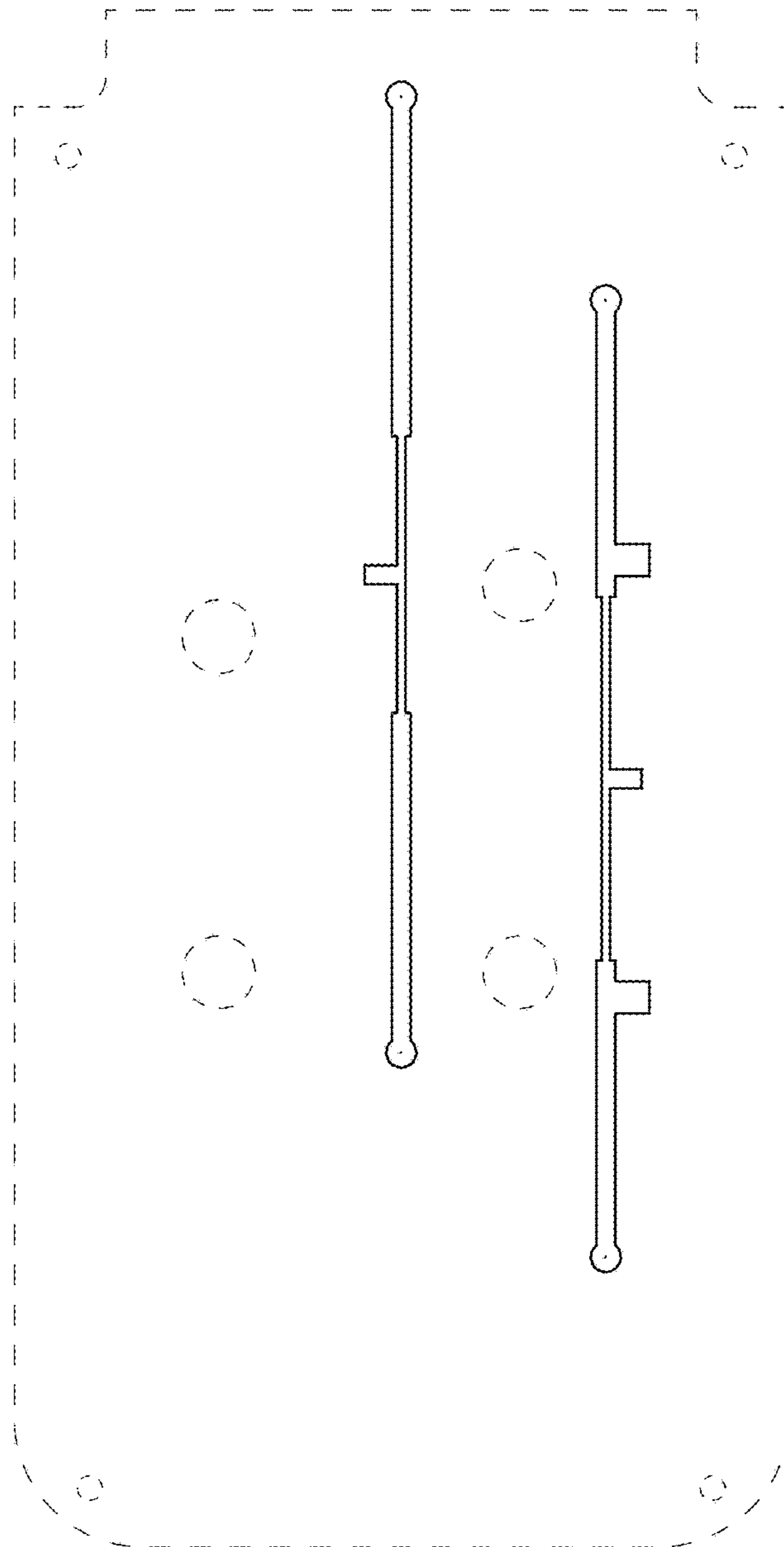


FIG. 4

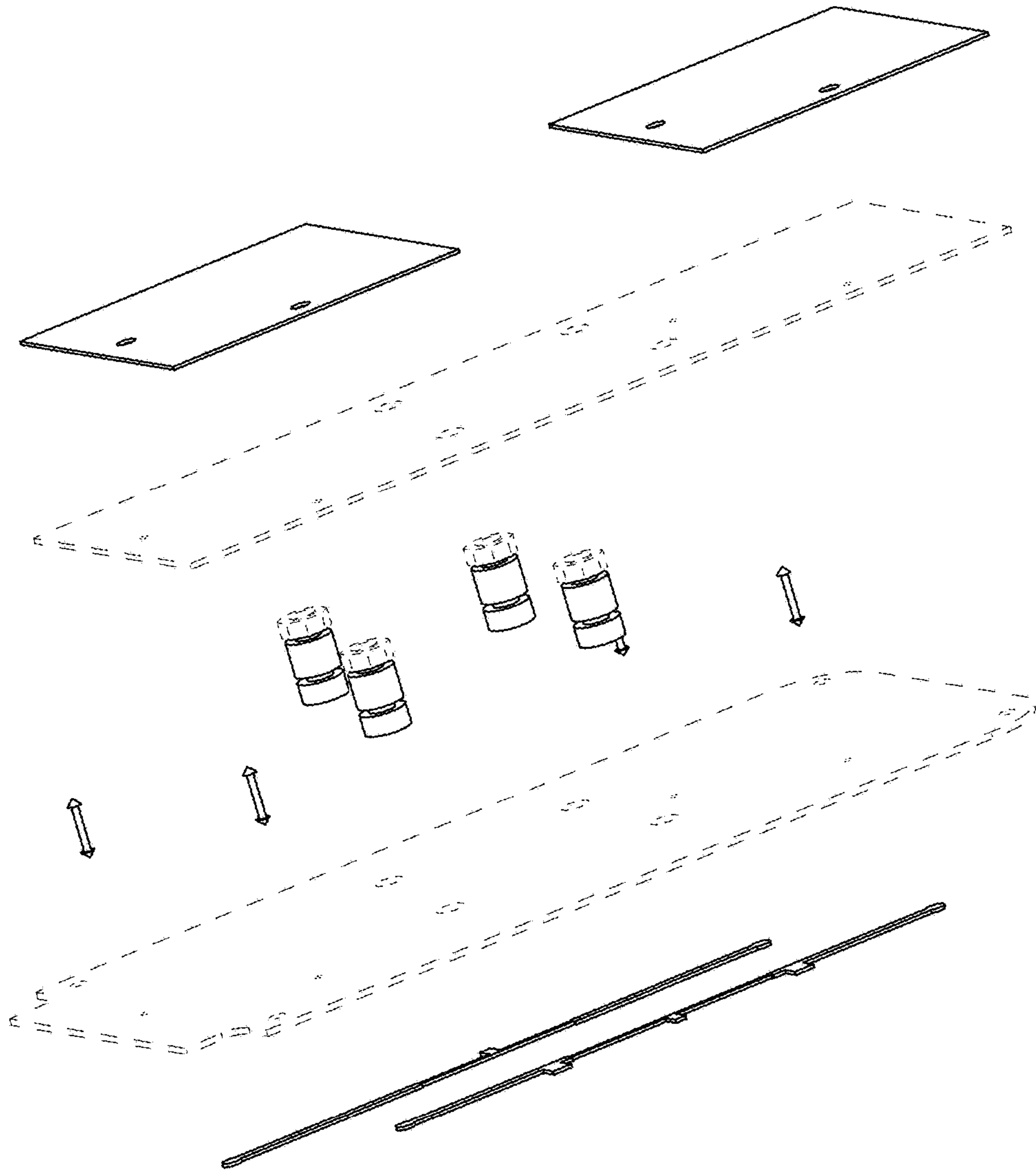


FIG. 5

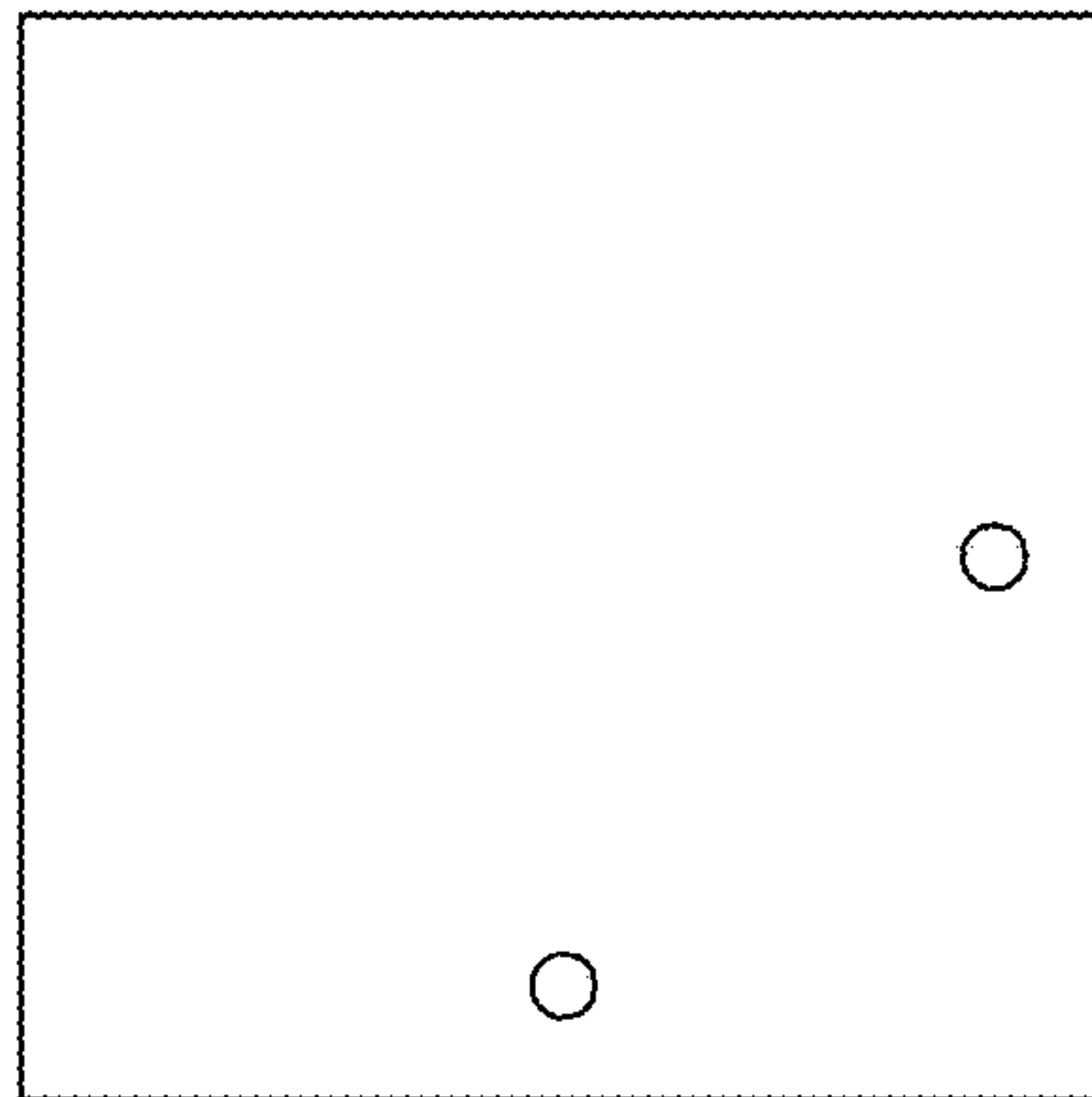
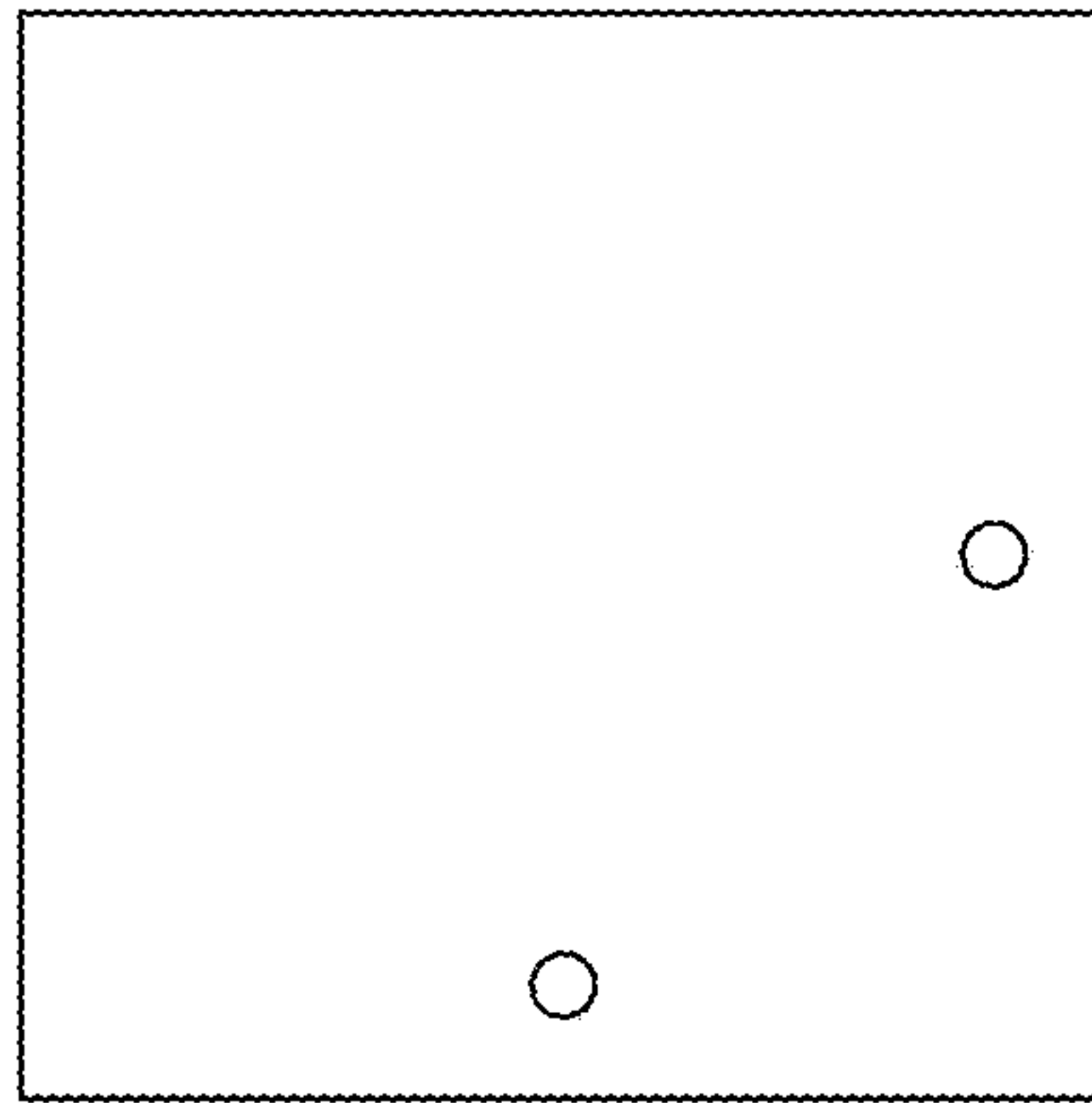


FIG. 6

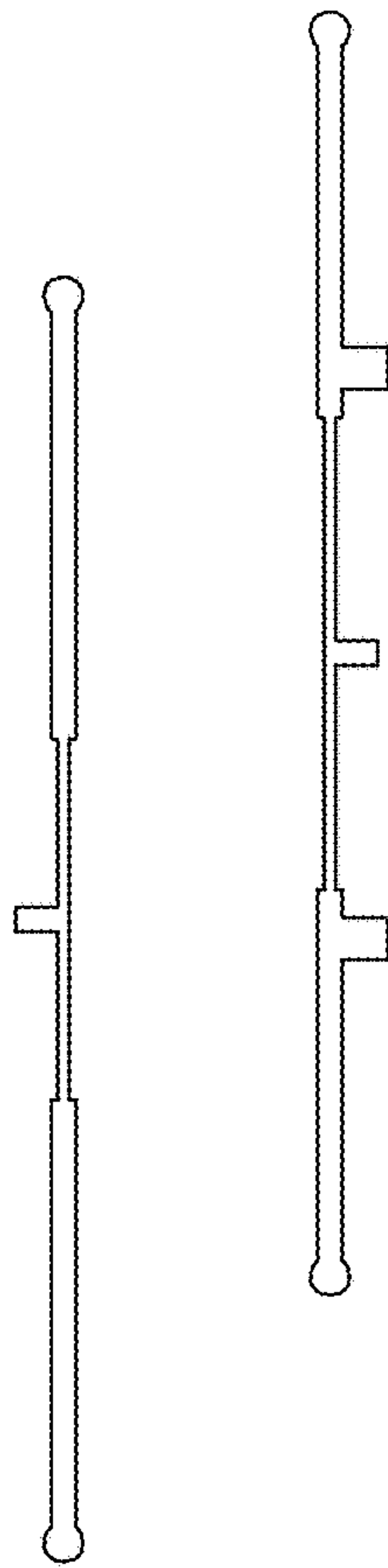


FIG. 7