



US00D856978S

(12) **United States Design Patent**  
**Lu**

(10) **Patent No.:** **US D856,978 S**  
(45) **Date of Patent:** **\*\* Aug. 20, 2019**

(54) **REMOTE CONTROL**

(71) Applicant: **Yan Lu**, Shenzhen (CN)

(72) Inventor: **Yan Lu**, Shenzhen (CN)

(\*\*) Term: **15 Years**

(21) Appl. No.: **29/643,095**

(22) Filed: **Apr. 4, 2018**

(51) **LOC (12) Cl.** ..... **14-03**

(52) **U.S. Cl.**  
USPC ..... **D14/218**

(58) **Field of Classification Search**  
USPC ..... D14/218; D13/168  
CPC ..... G09G 5/00; G06F 3/033  
See application file for complete search history.

(56) **References Cited**

**U.S. PATENT DOCUMENTS**

D298,941 S *	12/1988	Ennio	.....	D14/218
D314,384 S *	2/1991	Hafner	.....	D14/218
D568,299 S *	5/2008	Tuli	.....	D14/218
D573,957 S *	7/2008	Ledbetter	.....	D13/168
D620,456 S *	7/2010	Akana	.....	D13/168
D628,985 S *	12/2010	VanDuyn	.....	D14/218
D654,476 S *	2/2012	Weitgasser	.....	D14/218
D654,477 S *	2/2012	Weitgasser	.....	D14/218
D661,691 S *	6/2012	Weitgasser	.....	D14/218
D663,721 S *	7/2012	McManigal	.....	D14/218
D669,885 S *	10/2012	Kim	.....	D14/218
D672,321 S *	12/2012	Park	.....	D13/168
D691,987 S *	10/2013	Peh	.....	D14/218
D697,056 S *	1/2014	McManigal	.....	D14/218
D697,499 S *	1/2014	McManigal	.....	D14/218
D703,190 S *	4/2014	Zaslavsky	.....	D14/218
D735,195 S *	7/2015	Yakel	.....	D14/218
D735,718 S *	8/2015	Pang	.....	D14/218
D788,017 S *	5/2017	Smallhorn	.....	D12/345
D835,074 S *	12/2018	Cheng	.....	D14/218
D836,613 S *	12/2018	Lu	.....	D14/218
2010/0035668 A1 *	2/2010	Lee	.....	H04M 1/0237 455/575.4

**FOREIGN PATENT DOCUMENTS**

CN	304488261	*	2/2018
CN	304588761	*	4/2018

**OTHER PUBLICATIONS**

FM5S Wireless Mini Keyboard 2.4G Fly Air Mouse Remote Control, Geekbuying website 2019, site visited Mar. 12, 2019, <https://www.geekbuying.com/item/FM5S-Wireless-Mini-Keyboard-2-4G-Fly-Air-Mouse-Remote-Control-Black-374742.html>.  
Samsung BN59-01134B (Qwerty)(RMC-QTD1) TV Remote—Electronic Adventure website 2018, [https://www.electronicadventure.us/...RCnARIsAluAV\\_Sks-jyljdm1X8qUWxHomxf2EryMVntaKaexaz5Hi63tviN-740lcgaArnEALw\\_wcB](https://www.electronicadventure.us/...RCnARIsAluAV_Sks-jyljdm1X8qUWxHomxf2EryMVntaKaexaz5Hi63tviN-740lcgaArnEALw_wcB), site visited Mar. 12, 2019.\*

\* cited by examiner

*Primary Examiner* — John Windmuller

*Assistant Examiner* — John R Yeh

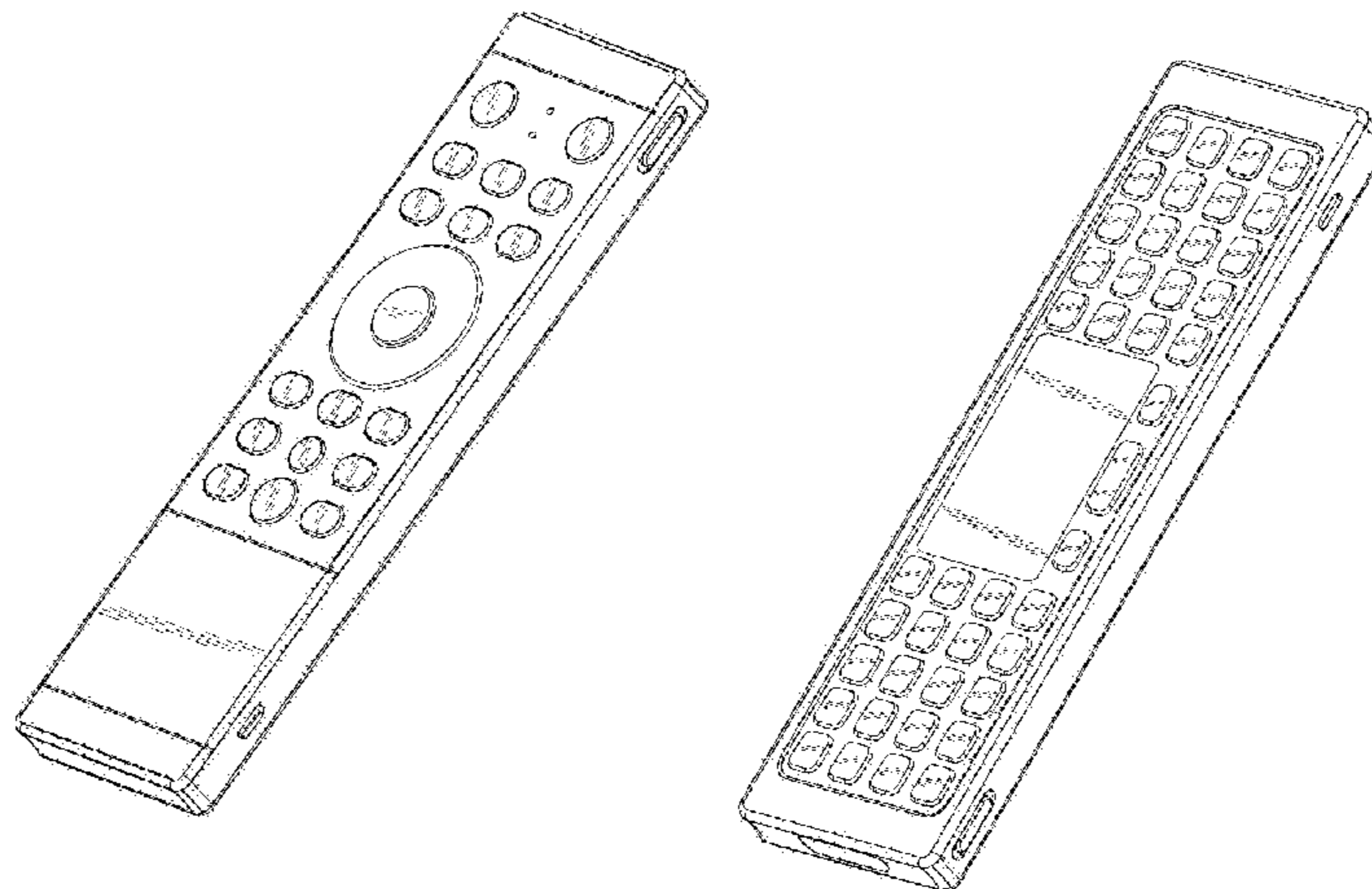
(57) **CLAIM**

The ornamental design for a remote control, as shown and described.

**DESCRIPTION**

FIG. 1 is a front view of a remote control showing my design;  
FIG. 2 is a rear view thereof;  
FIG. 3 is a left side view thereof;  
FIG. 4 is a right side view thereof;  
FIG. 5 is a top view thereof;  
FIG. 6 is a bottom view thereof;  
FIG. 7 is a front perspective view thereof;  
FIG. 8 is another front perspective view thereof.  
FIG. 9 is a rear perspective view thereof; and,  
FIG. 10 is another rear perspective view thereof.

**1 Claim, 4 Drawing Sheets**



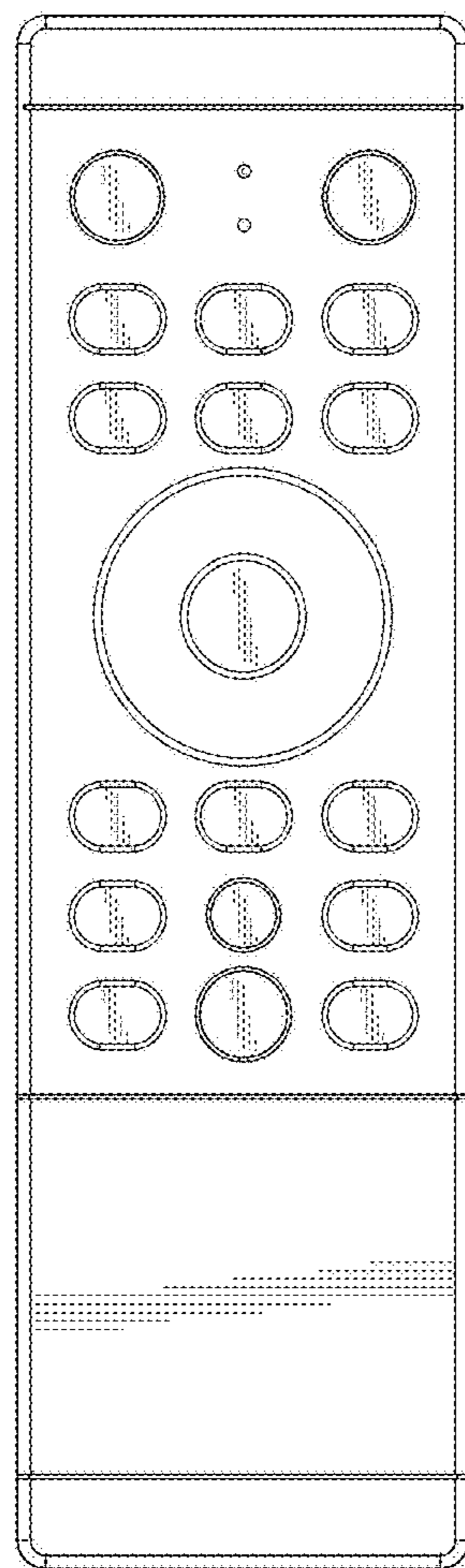


FIG. 1

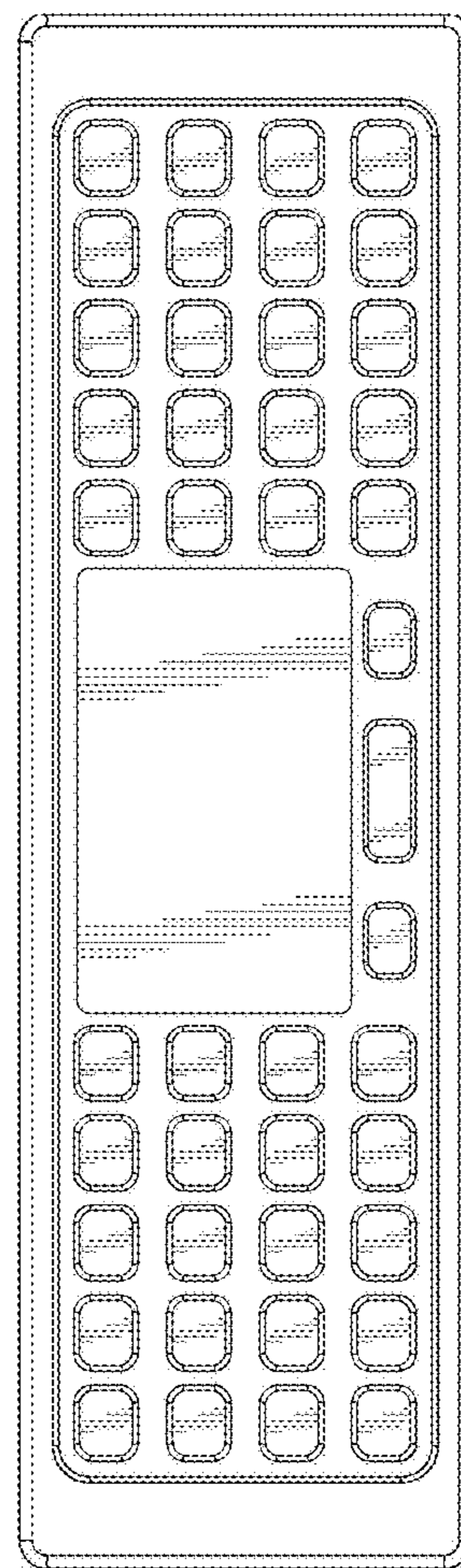


FIG. 2



FIG. 3

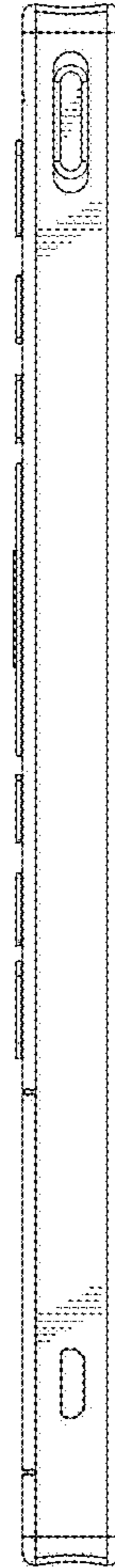


FIG. 4



FIG. 5



FIG. 6

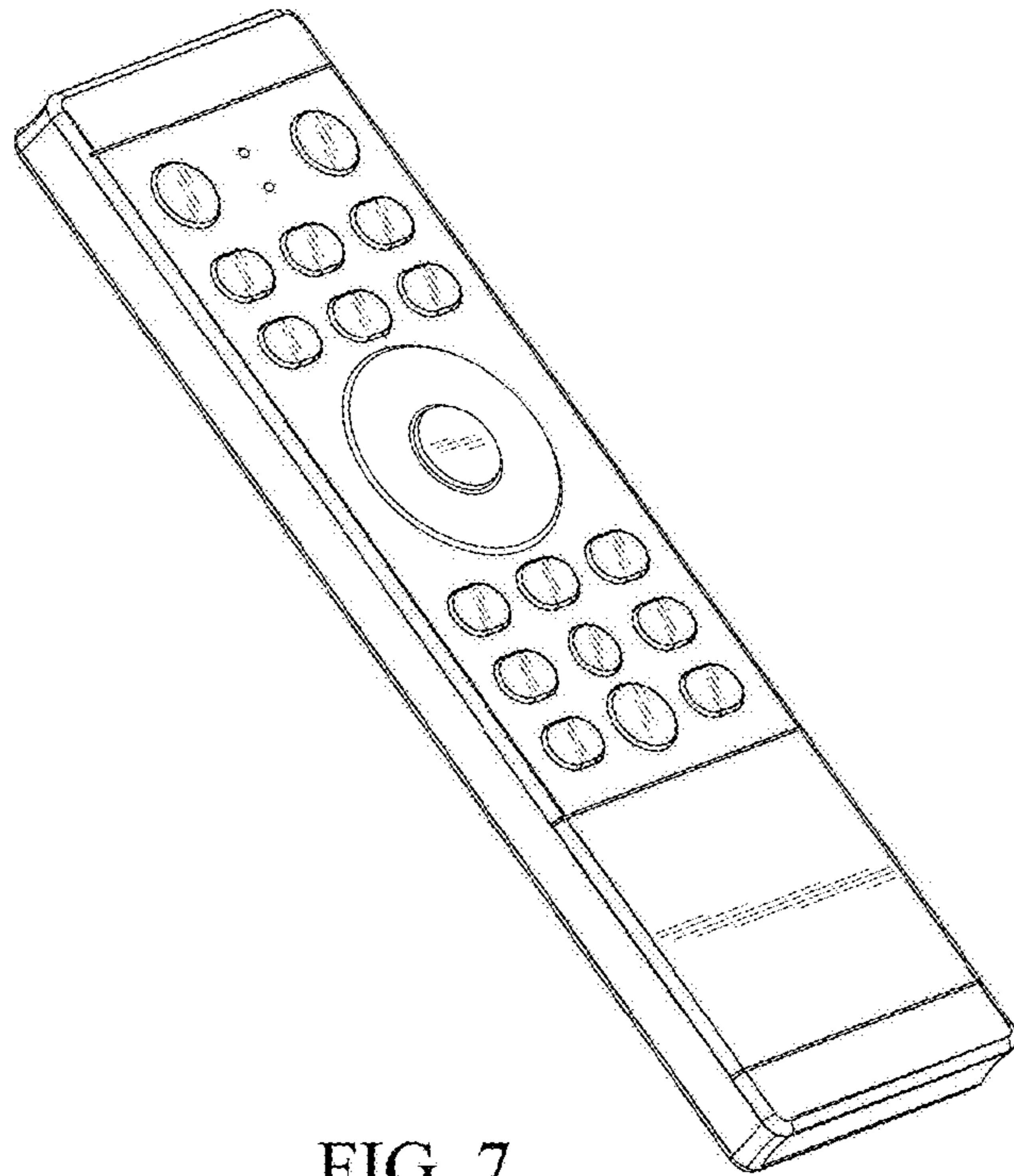


FIG. 7

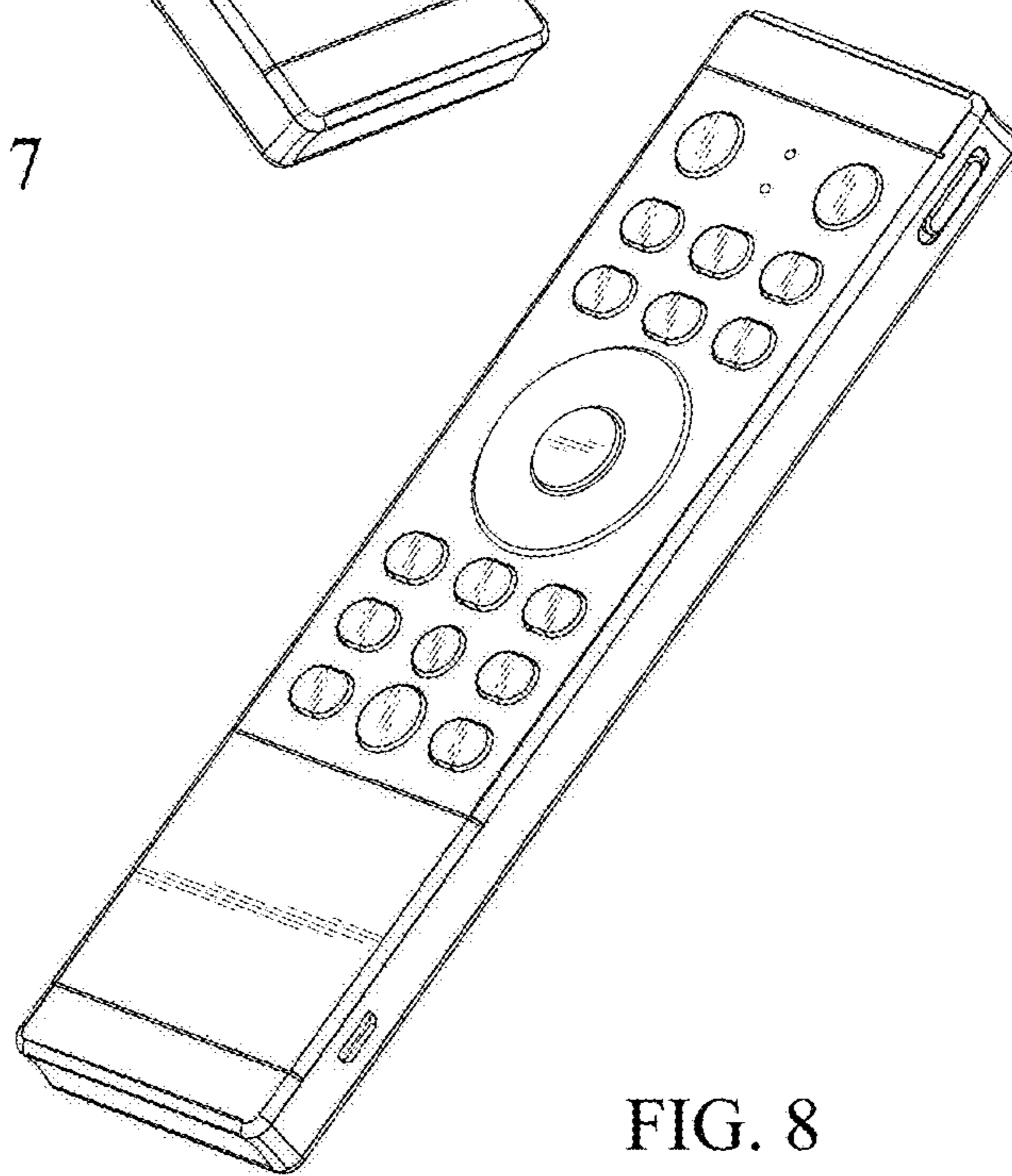


FIG. 8

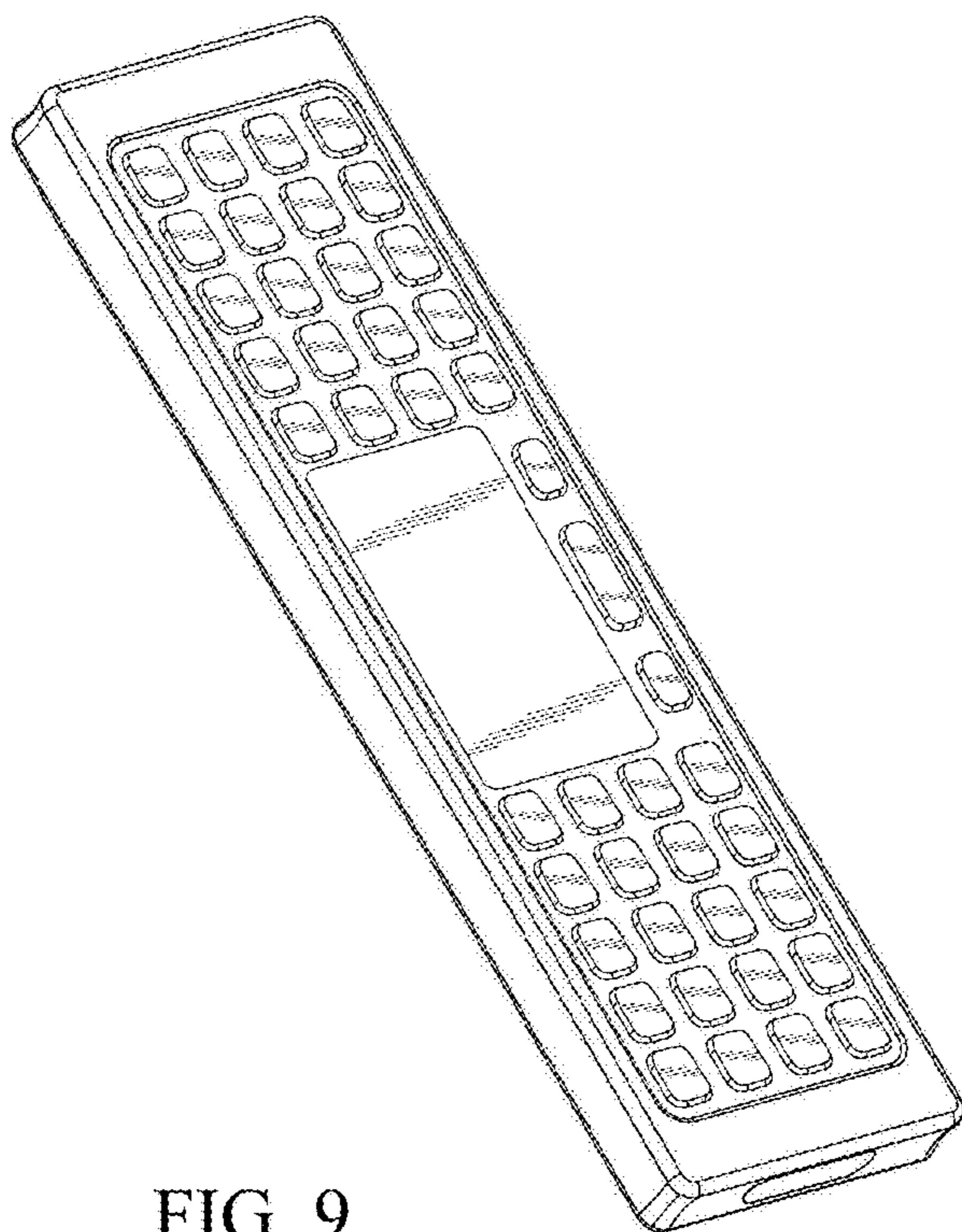


FIG. 9

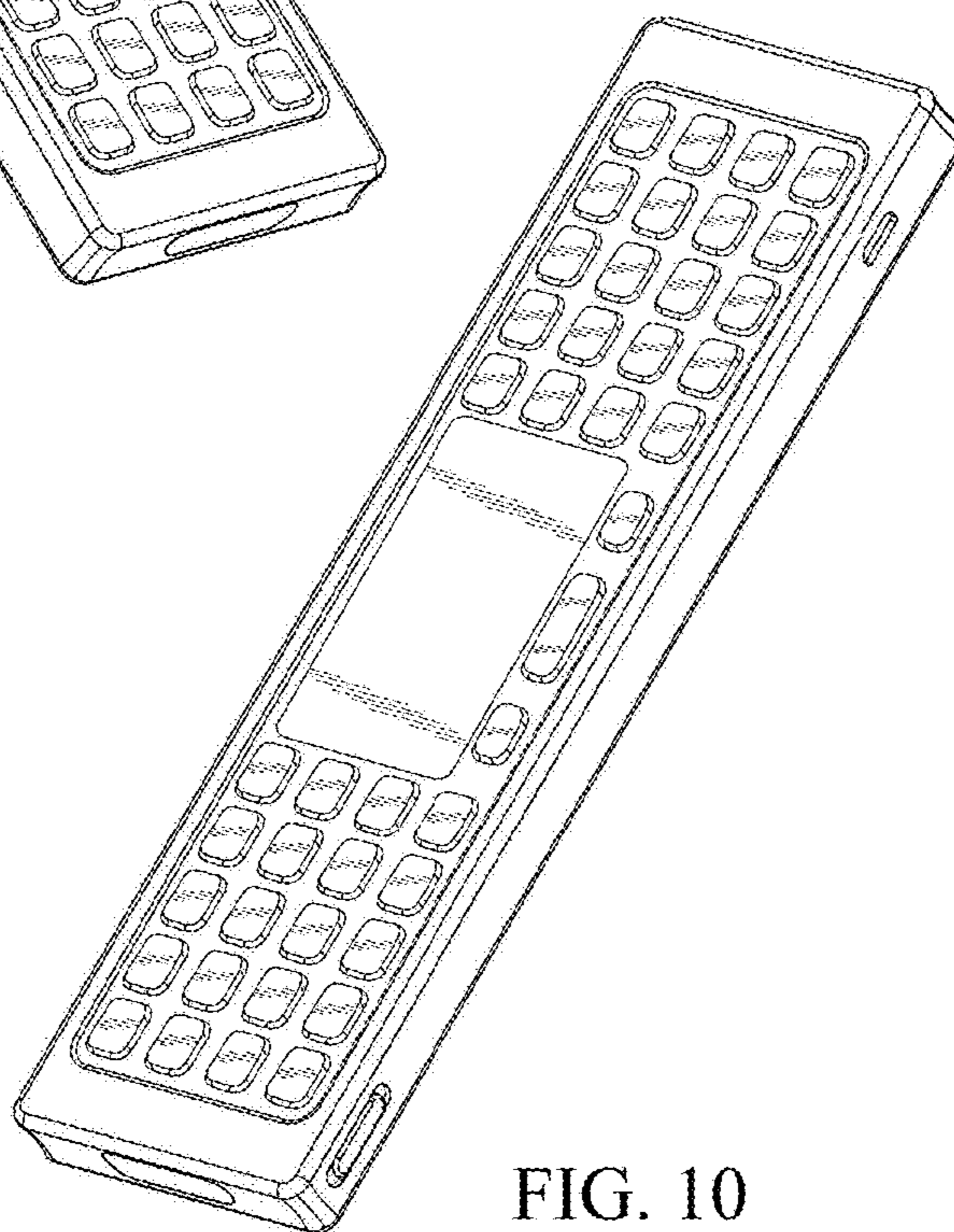


FIG. 10