



US00D856977S

(12) **United States Design Patent**
Hartmann

(10) **Patent No.:** **US D856,977 S**

(45) **Date of Patent:** **** Aug. 20, 2019**

(54) **SPEAKER COVER**

(71) Applicant: **SpaceControl GmbH & Co. KG**,
Seefeld (DE)

(72) Inventor: **Volker Hartmann**, München (DE)

(73) Assignee: **SPACECONTROL GMBH & CO.**
KG, Seefeld (DE)

(**) Term: **15 Years**

(21) Appl. No.: **29/612,417**

(22) Filed: **Aug. 1, 2017**

(30) **Foreign Application Priority Data**

Feb. 1, 2017 (DE) 40 2017 000 105

(51) **LOC (12) Cl.** **14-01**

(52) **U.S. Cl.**

USPC **D14/216**; D14/217

(58) **Field of Classification Search**

USPC D14/203.1, 204–206, 208–210, 212, 213,
D14/214–217, 219, 221–225, 249, 372,
D14/433, 138 R, 182, 188, 191–194, 172,
D14/496, 252, 253; D29/112; D2/875;
D24/173–175, 106; D3/294, 273;
D12/195, 192, 204; D13/108

CPC H04R 25/02; H04R 25/00; H04R 1/10;
H04R 1/1016; H04R 1/105; H04R
1/1083; H04R 1/02; H04R 1/1041; H04R
5/033; H04R 7/00; H04R 2420/07; H04R
2430/01; H04R 25/65; H04R 25/656;
H04R 25/658; H04R 27/00; H04R
2205/021; H04R 1/28; H04R 1/05; H04R
5/0335; A61F 11/00; A61F 11/06; A61F
11/08; A61F 11/12; A61F 11/14

See application file for complete search history.

(56) **References Cited**

U.S. PATENT DOCUMENTS

D101,684 S * 10/1936 Sweeny D14/208
2,124,834 A * 7/1938 Stenger H04R 7/12
181/164
D205,663 S * 9/1966 Seebinger D14/204
D303,566 S * 9/1989 Kohler, Jr. D23/249
D359,958 S * 7/1995 Frodelius D14/208

(Continued)

FOREIGN PATENT DOCUMENTS

GB 5002877 * 6/2016

OTHER PUBLICATIONS

Eclipse Sound, published Nov. 13, 2018 [online], [retrieved Mar. 14, 2019], Available from Internet, URL: <<http://pinosy.com/media/447052700507765495/>>.*

(Continued)

Primary Examiner — Barbara Fox

Assistant Examiner — Mary C Ramirez

(57) **CLAIM**

The ornamental design for a speaker cover, as shown herein.

DESCRIPTION

FIG. 1 is a front perspective view of a speaker cover in accordance with the present invention;

FIG. 2 is a rear perspective view of the speaker cover of FIG. 1;

FIG. 3 is a front view of the speaker cover of FIG. 1;

FIG. 4 is a rear view of the speaker cover of FIG. 1;

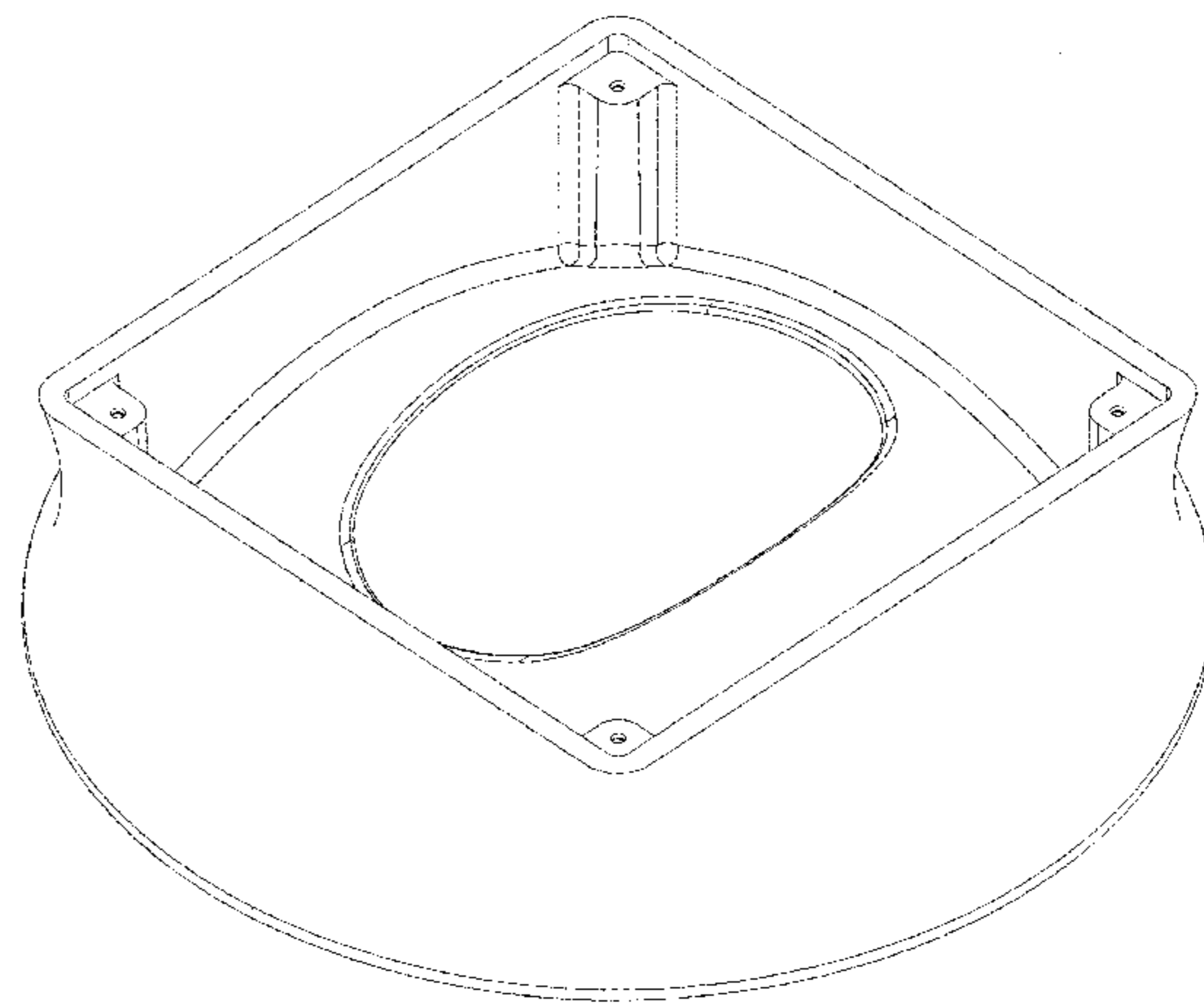
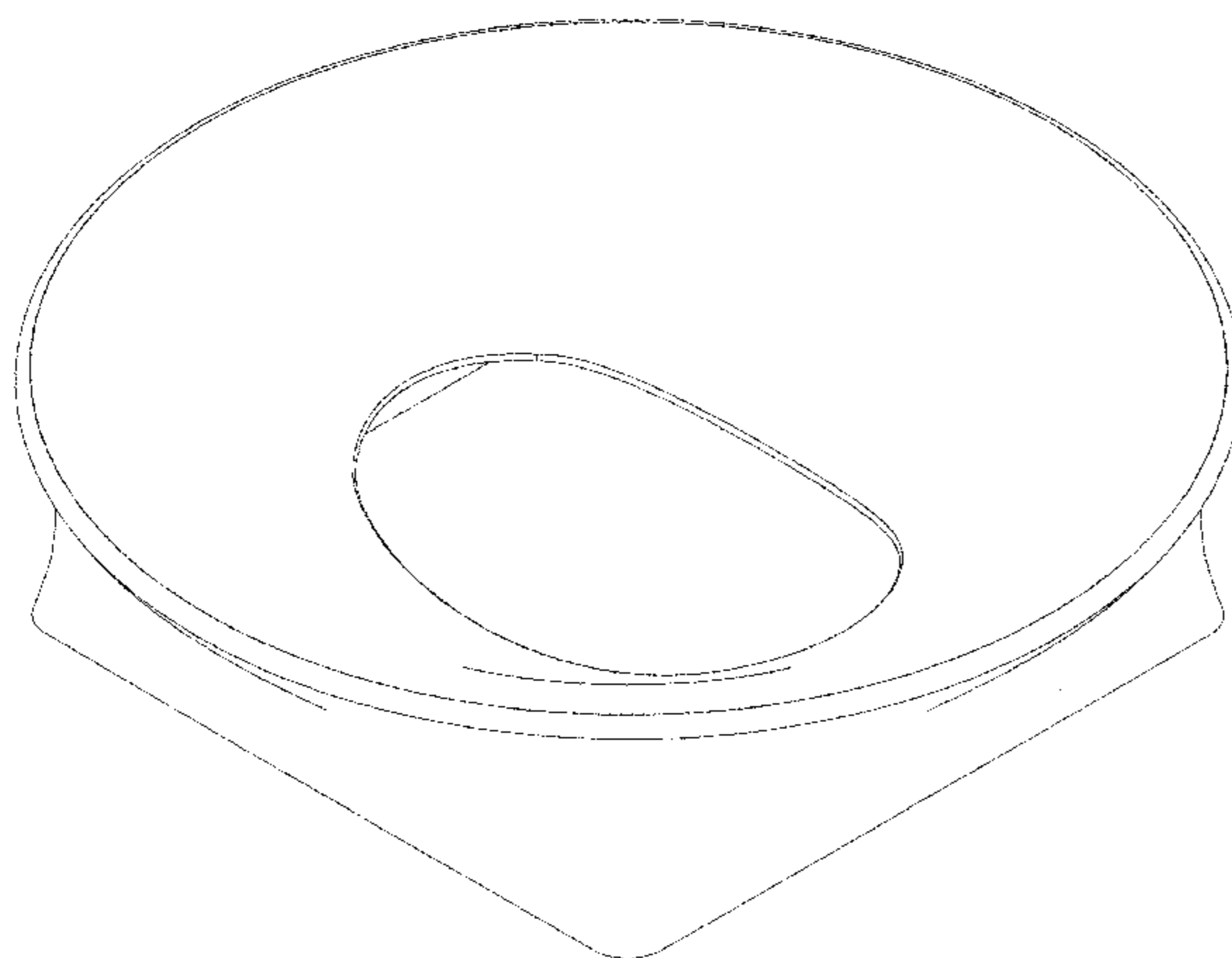
FIG. 5 is a front side view of the speaker cover of FIG. 1;

FIG. 6 is a back side view of the speaker cover of FIG. 1;

FIG. 7 is a left side view of the speaker cover of FIG. 1; and,

FIG. 8 is a right side view of the speaker cover of FIG. 1.

1 Claim, 8 Drawing Sheets



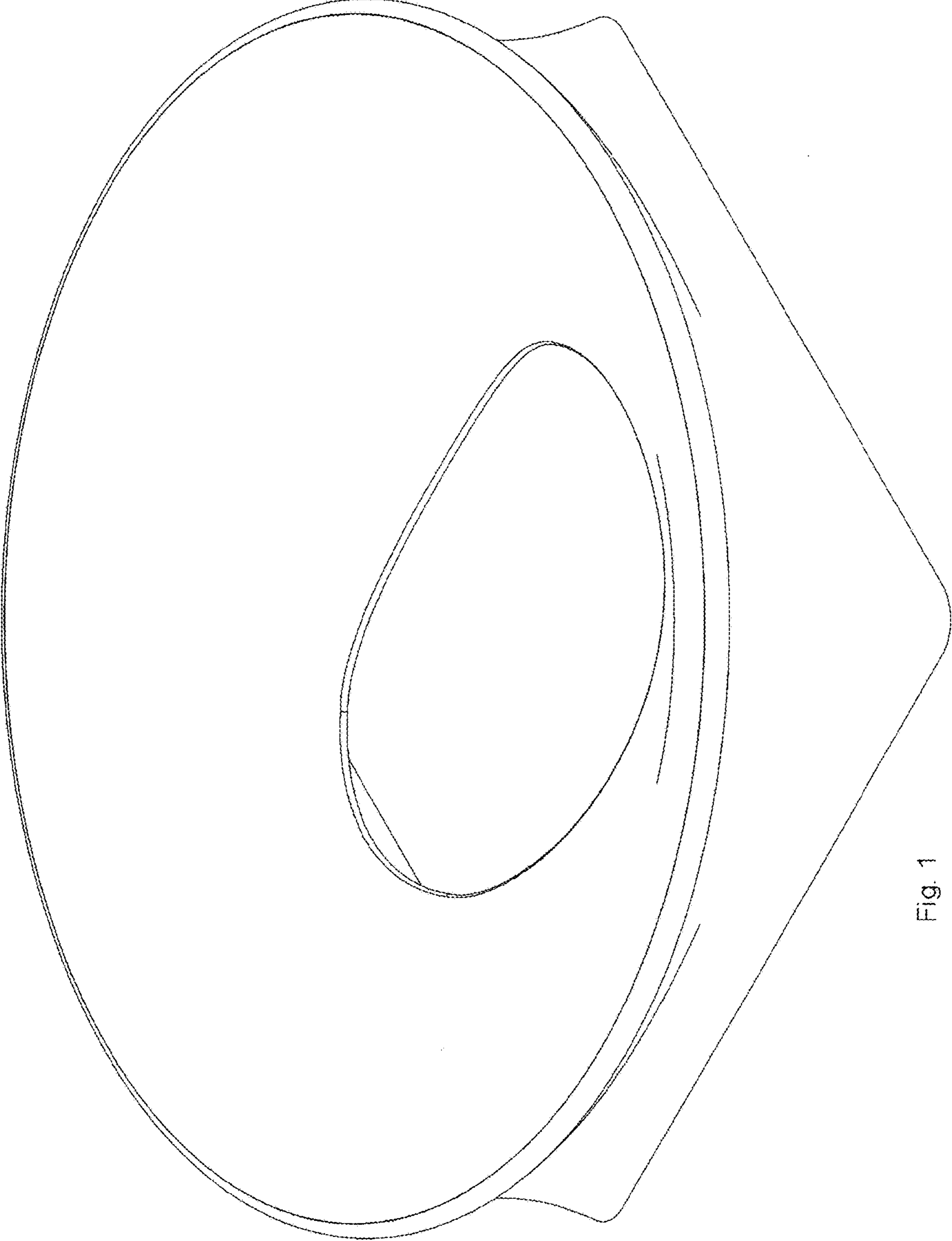


Fig. 1

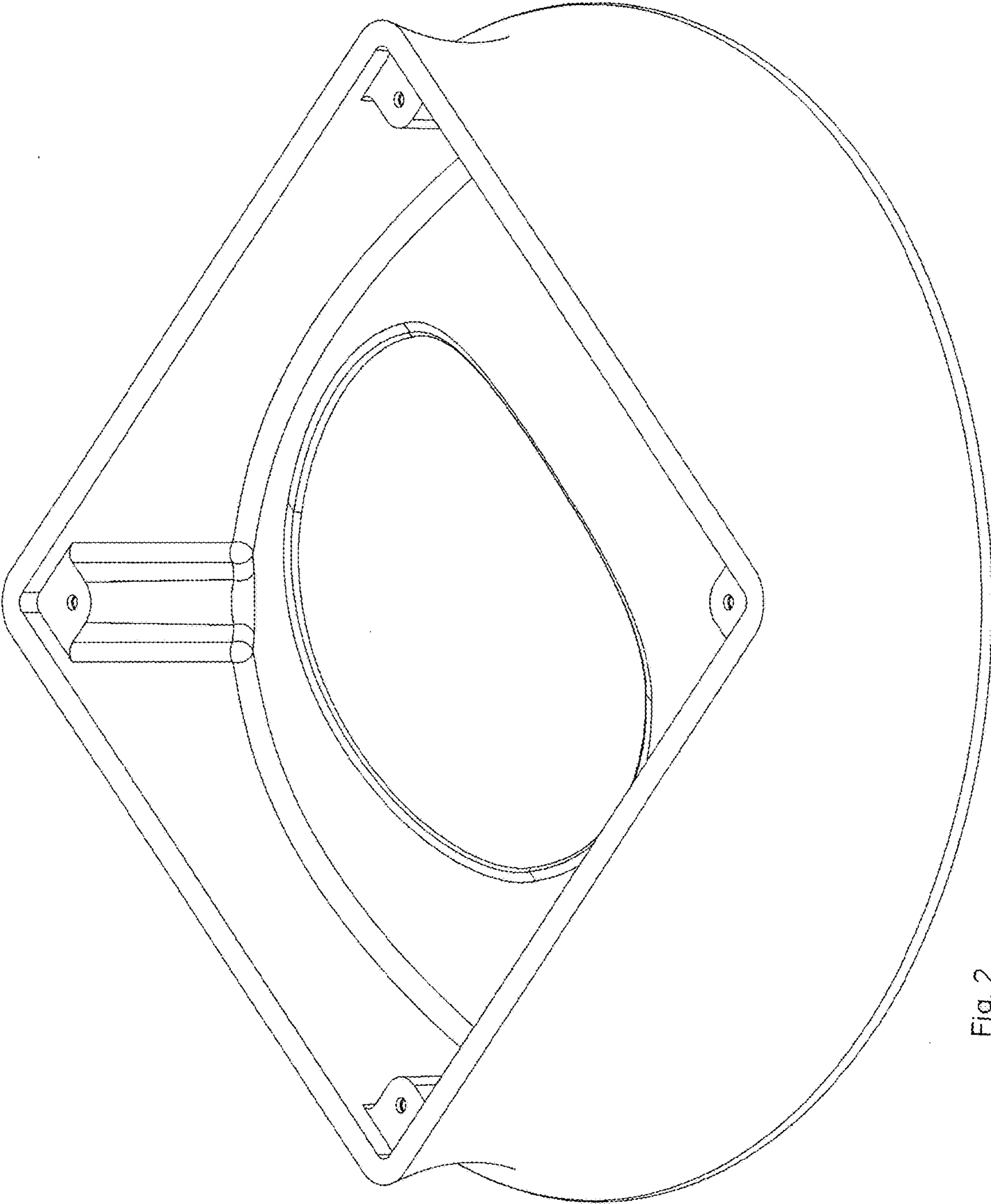


Fig. 2

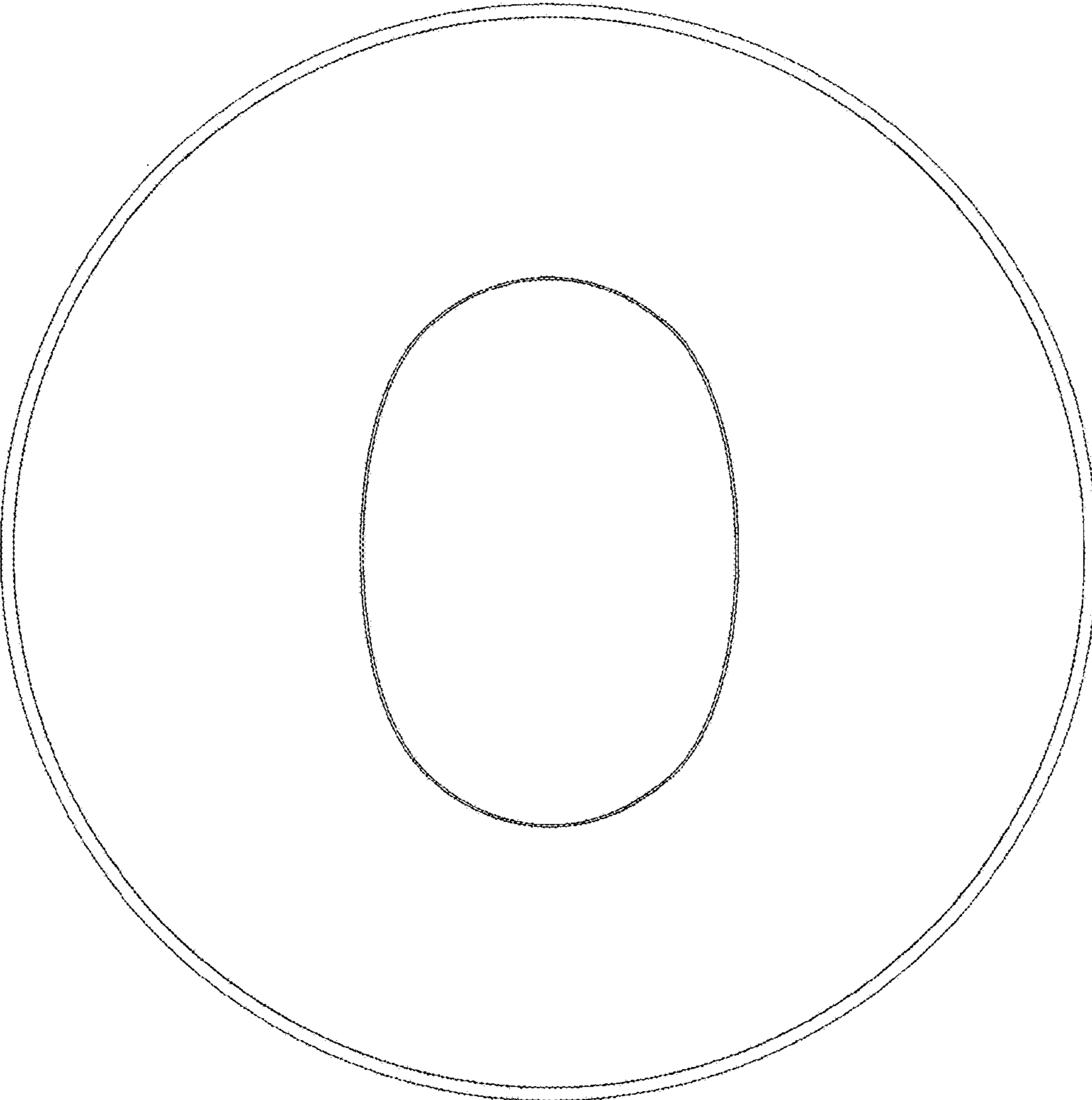


Fig. 3

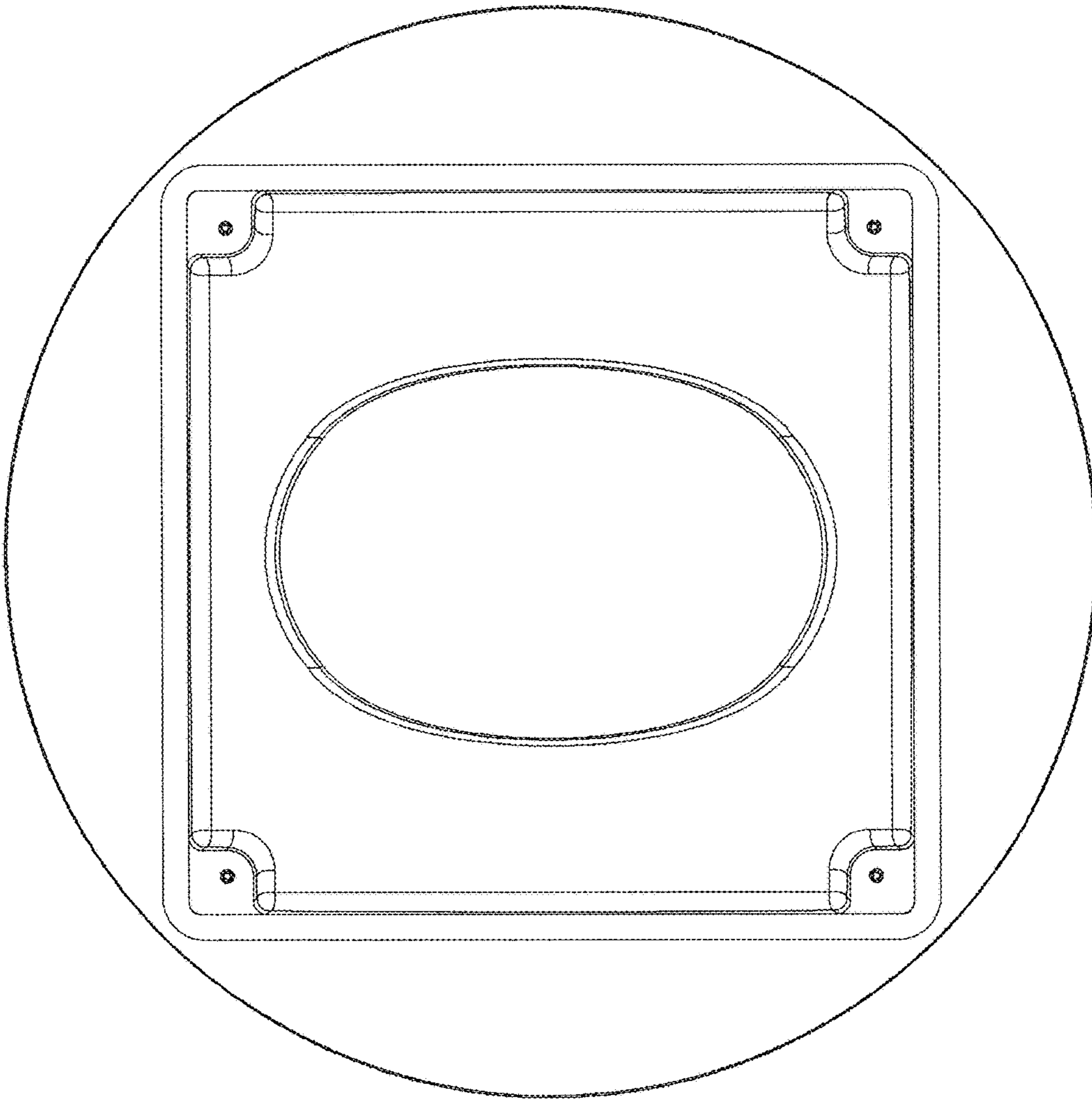


Fig. 4

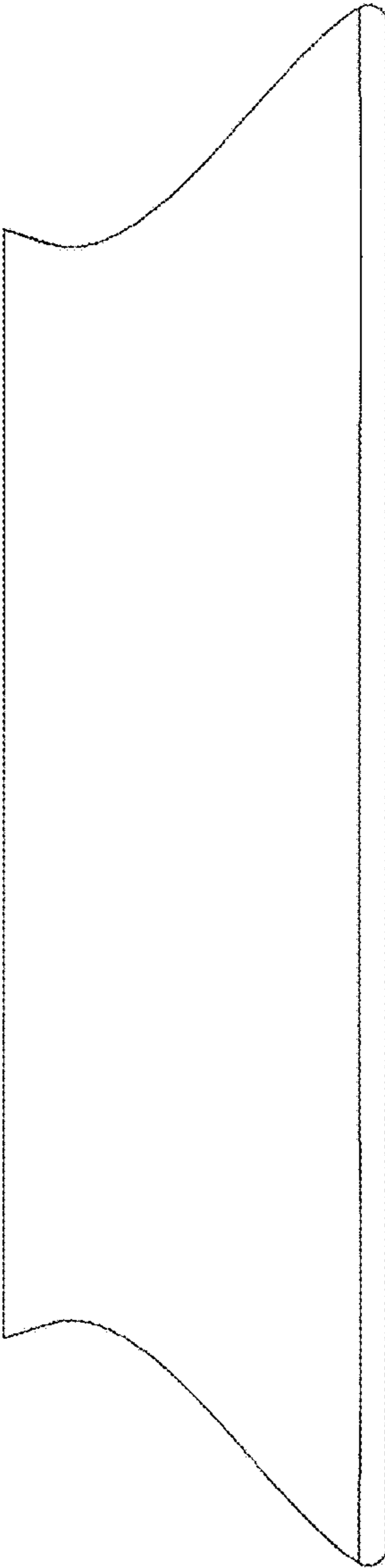


Fig. 5

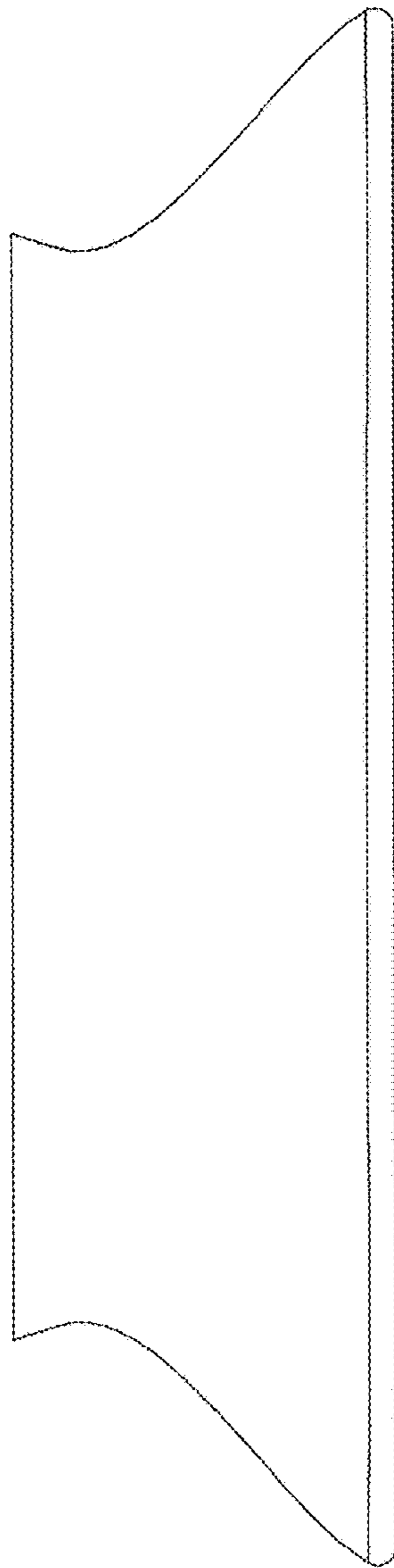


Fig. 6

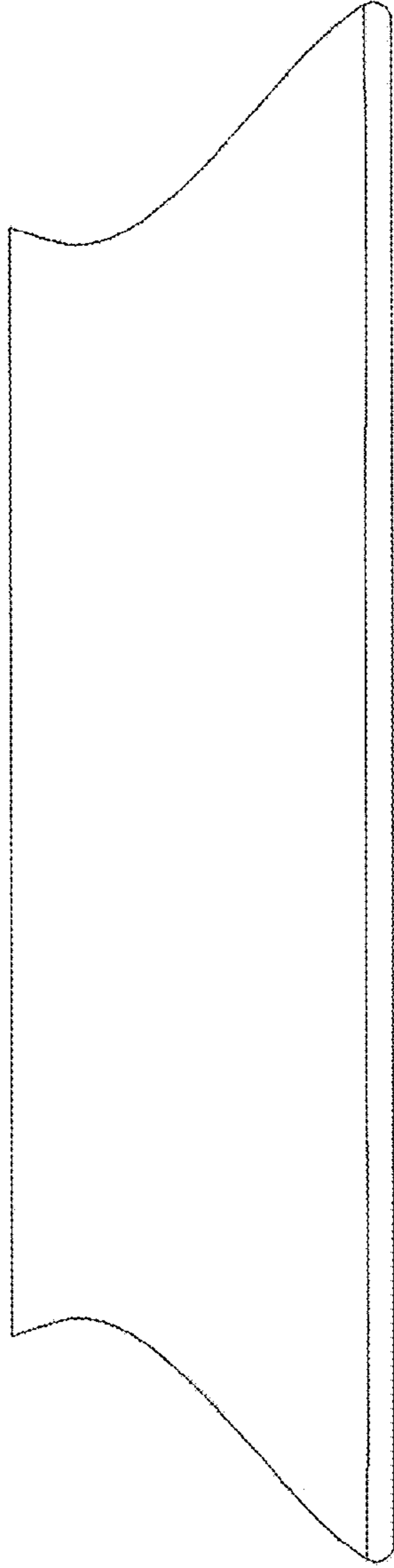


Fig. 7

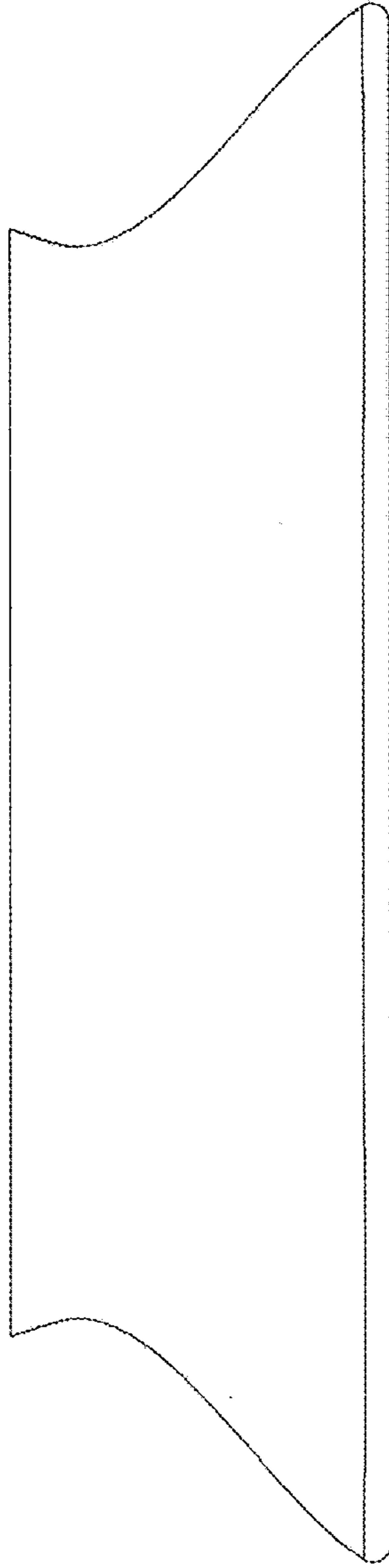


Fig. 8