



US00D856976S

(12) **United States Design Patent** (10) **Patent No.:** **US D856,976 S**
Kang et al. (45) **Date of Patent:** **** Aug. 20, 2019**

(54) **AUDIO DEVICE**

- (71) Applicant: **Samsung Electronics Co., Ltd.**,
Suwon-si (KR)
- (72) Inventors: **Byungwook Kang**, Seoul (KR); **Sungil Bang**, Seoul (KR); **Chanhee Han**,
Seoul (KR)
- (73) Assignee: **Samsung Electronics Co., Ltd.**,
Suwon-si (KR)
- (**) Term: **15 Years**
- (21) Appl. No.: **29/607,861**
- (22) Filed: **Jun. 16, 2017**

(30) **Foreign Application Priority Data**

Dec. 22, 2016 (KR) 30-2016-0062576

(51) **LOC (12) Cl.** **14-03**

(52) **U.S. Cl.**
USPC **D14/215**; D14/214

(58) **Field of Classification Search**
USPC D14/167, 168, 170–172, 188, 194–196,
D14/204, 207, 209.1, 210–215, 219, 221,
D14/222, 496

CPC B60R 11/0217; G06F 1/1688; G10K 9/22;
G10K 11/004; H03F 1/327; H04M 1/03;
H04M 1/035; H04N 5/642; H04N
21/4852; H04S 3/00; H04S 7/30; H04R
1/02; H04R 1/06; H04R 1/021; H04R
1/025; H04R 1/026; H04R 1/028; H04R
1/105; H04R 1/323; H04R 1/403; H04R
1/2803; H04R 1/2834; H04R 5/02; H04R
7/20; H04R 9/06; H04R 9/025; H04R
2201/021; H04R 2400/00; H04R 2400/07;
H04R 2400/11; H04R 2499/11; H04R
2499/13; H04R 2499/15

See application file for complete search history.

(56) **References Cited**

U.S. PATENT DOCUMENTS

1,216,840	A	*	2/1917	Ramsey et al.	A63H 33/105 144/307
D368,939	S	*	4/1996	Frederiksen	D21/500
D523,354	S	*	6/2006	Li	D10/15
D544,465	S	*	6/2007	Peersmann	D14/214
D576,486	S	*	9/2008	Koza	D9/432
D664,122	S	*	7/2012	Cho	D14/215
D669,500	S	*	10/2012	Dangerfield	D14/203.1
D680,097	S	*	4/2013	Davies	D14/204
D691,115	S	*	10/2013	Silvera	D14/212
D695,707	S	*	12/2013	Szymanski	D14/214
D695,709	S	*	12/2013	Szymanski	D14/214
D698,869	S	*	2/2014	Strzelewicz	D21/499
D700,527	S	*	3/2014	Garrett	D10/15
D707,202	S	*	6/2014	McManigal	D14/214
D718,736	S	*	12/2014	Thompson	D14/168

(Continued)

Primary Examiner — Keli L Hill

(74) *Attorney, Agent, or Firm* — NSIP Law

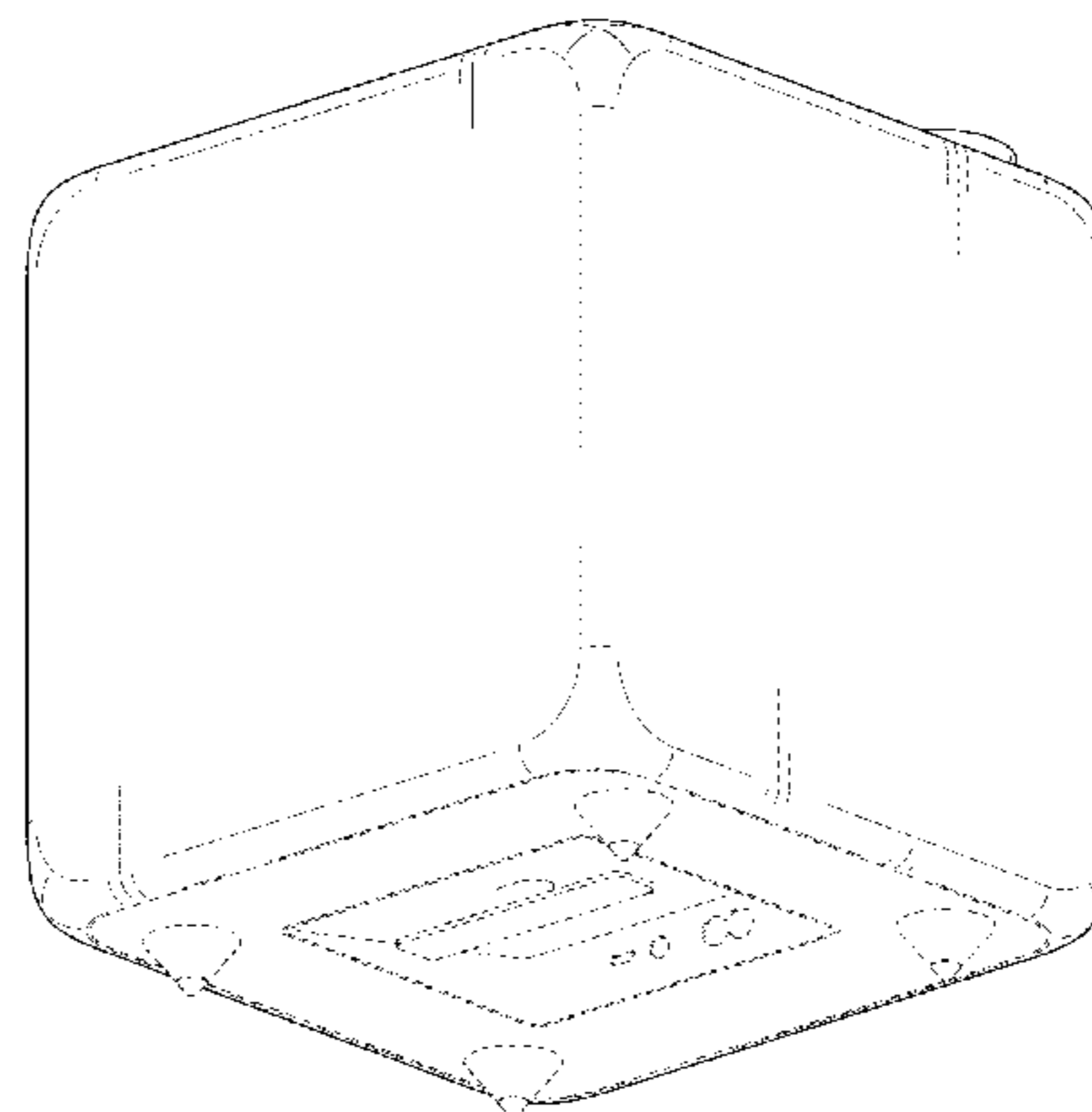
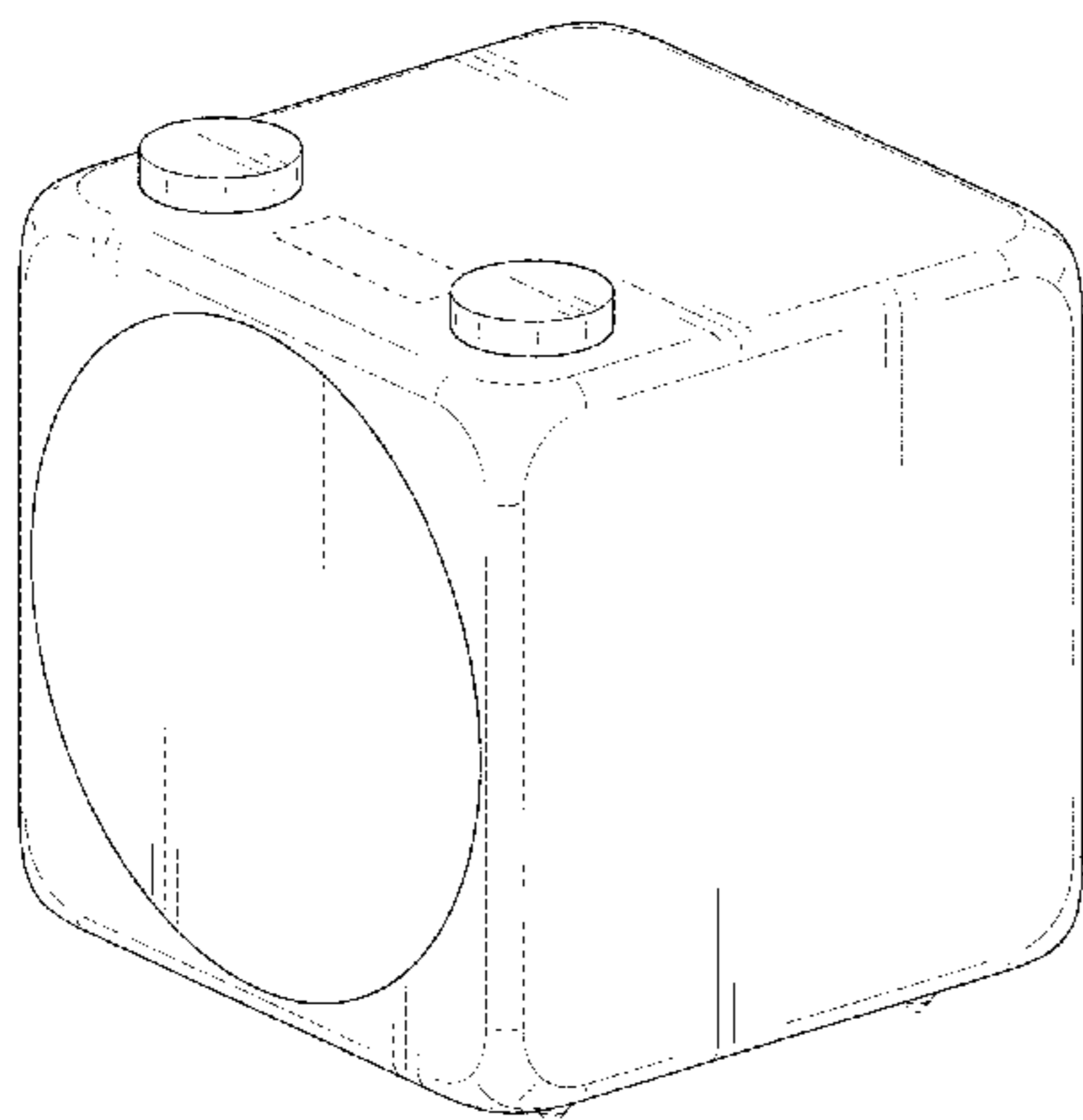
(57) **CLAIM**

We claim the ornamental design for an audio device, as shown and described.

DESCRIPTION

FIG. 1 is a top perspective view of an audio device showing our new design;
FIG. 2 is a front elevational view thereof;
FIG. 3 is a rear elevational view thereof;
FIG. 4 is a left-side elevational view thereof;
FIG. 5 is a right-side elevational view thereof;
FIG. 6 is a top plan view thereof;
FIG. 7 is a bottom plan view thereof; and,
FIG. 8 is a bottom rear perspective view thereof.
The broken lines shown are included for the purpose of illustrating portions of the audio device that form no part of the claim.

1 Claim, 8 Drawing Sheets



(56)

References Cited

U.S. PATENT DOCUMENTS

D729,761 S *	5/2015	Hu	D14/194
D734,300 S *	7/2015	Fujioka	D14/214
D758,345 S *	6/2016	Fujioka	D14/214
D761,230 S *	7/2016	Si	D14/214
D796,588 S *	9/2017	Poulus	D21/484
D826,296 S *	8/2018	Noorazar	D15/122
D827,727 S *	9/2018	McLachlan	A63H 33/046 D21/468
D829,828 S *	10/2018	McLachlan	D21/468
D830,989 S *	10/2018	McManigal	D14/204
D842,265 S *	3/2019	Becker	D14/204
2010/0120322 A1 *	5/2010	Vicentelli	A63H 33/046 446/92

* cited by examiner

FIG. 1

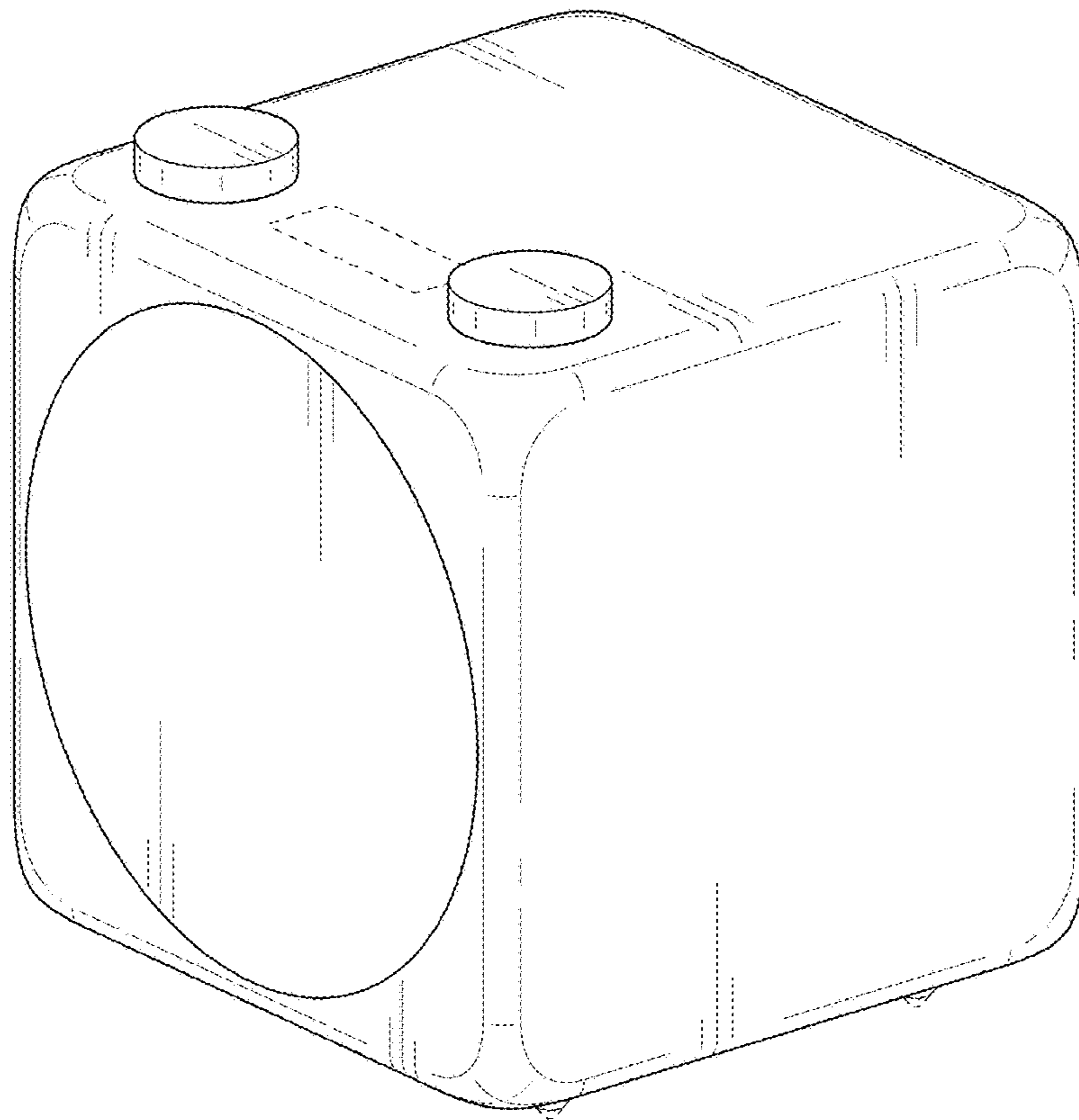


FIG. 2

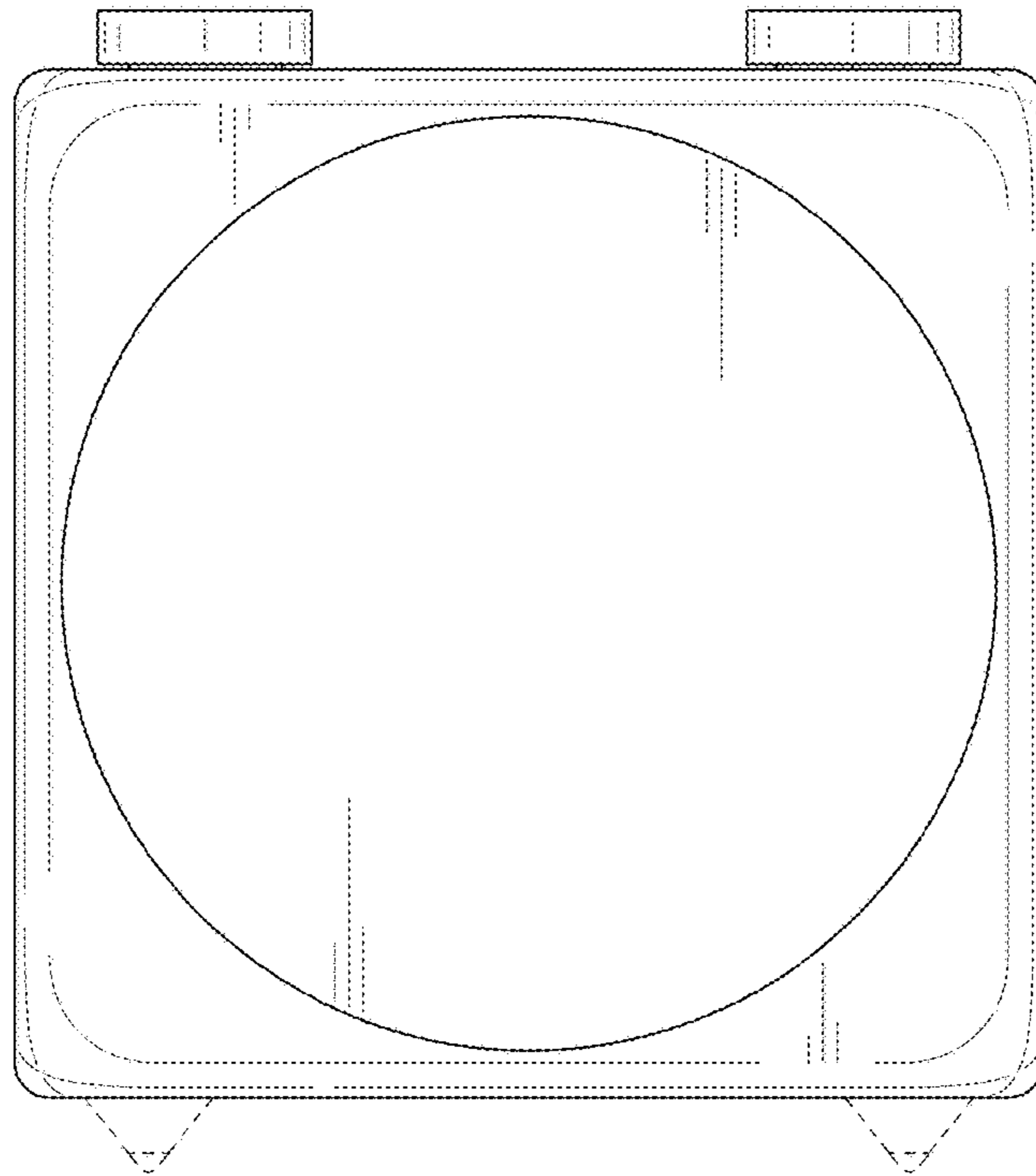


FIG. 3

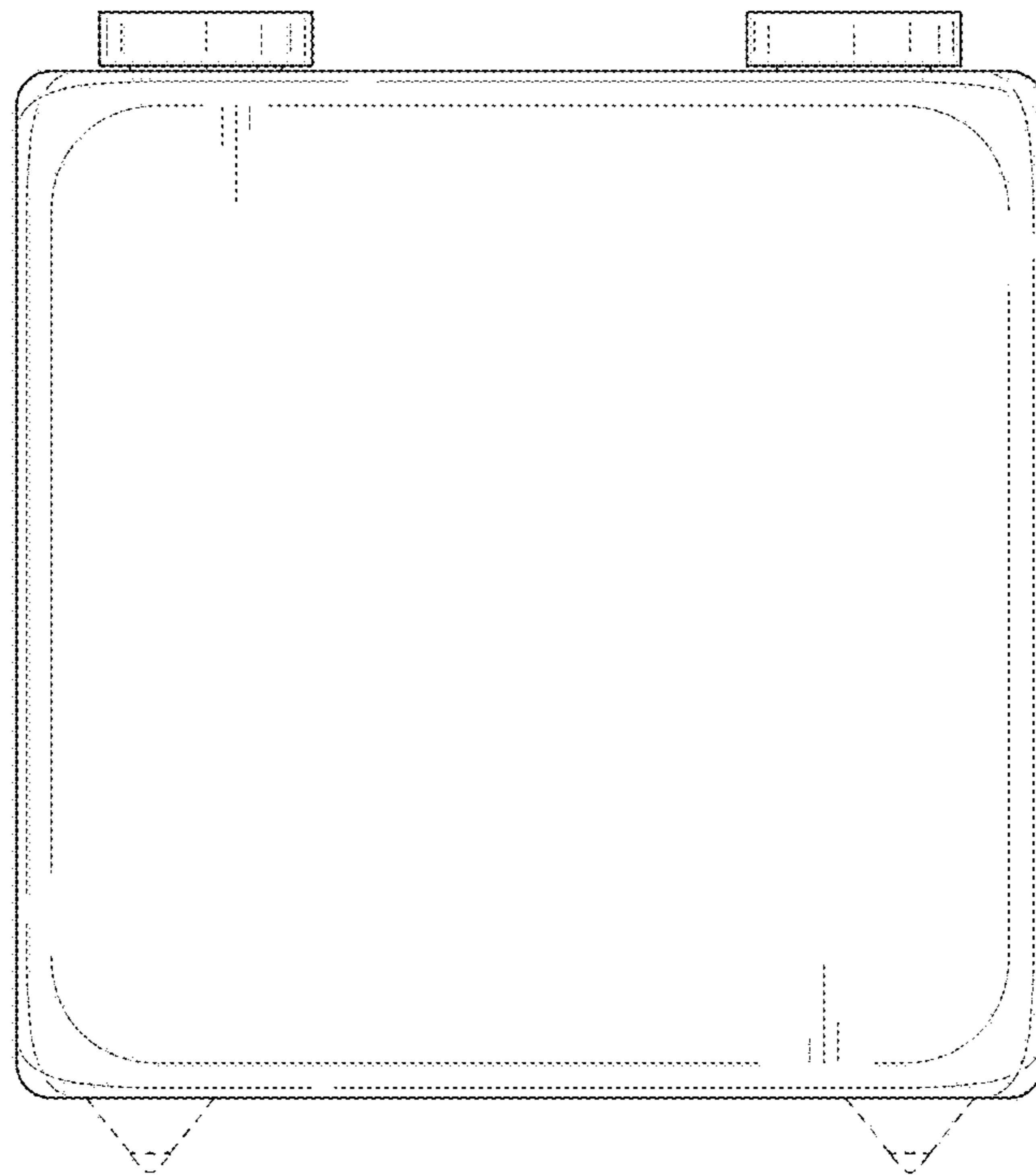


FIG. 4

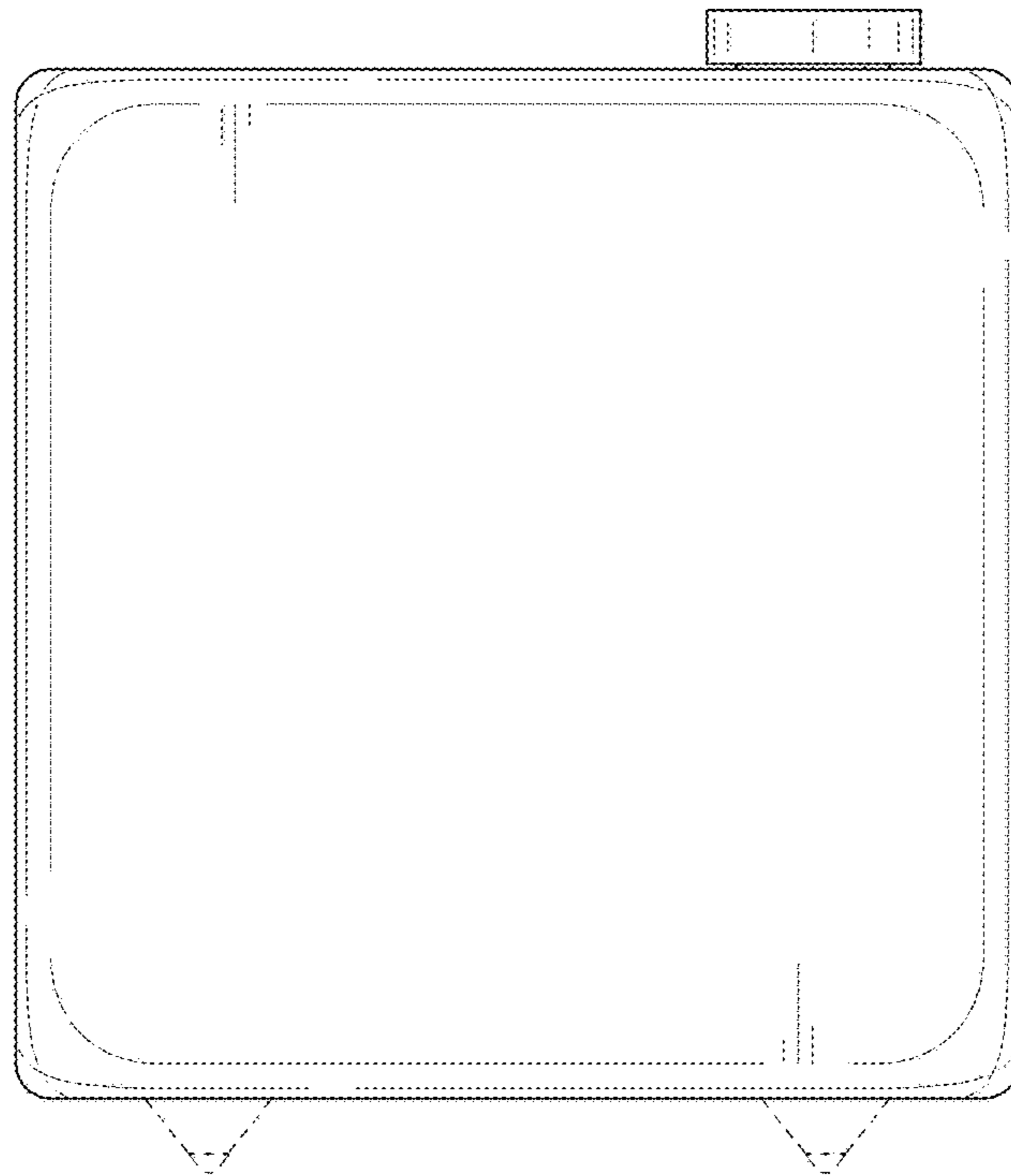


FIG. 5

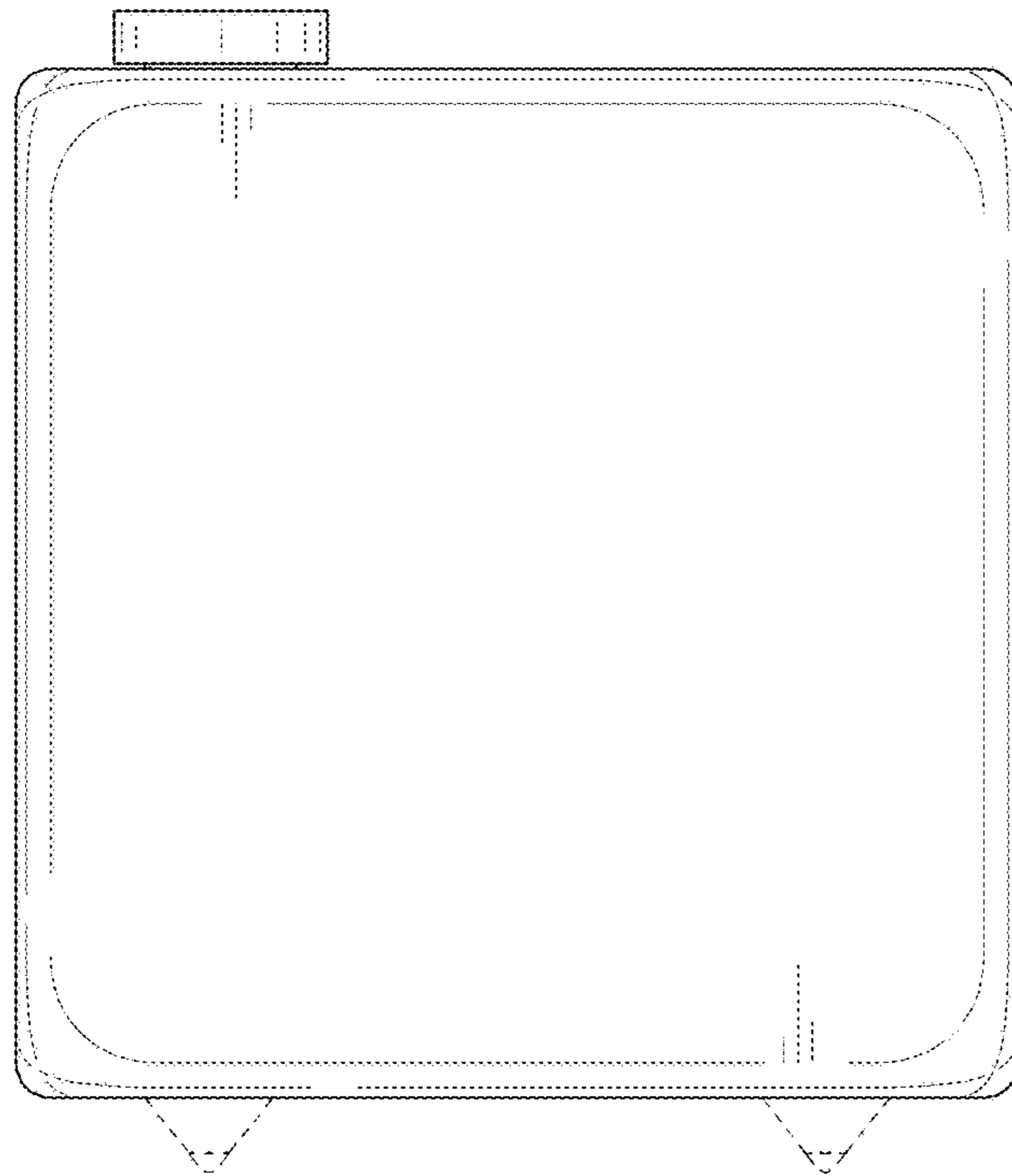


FIG. 6

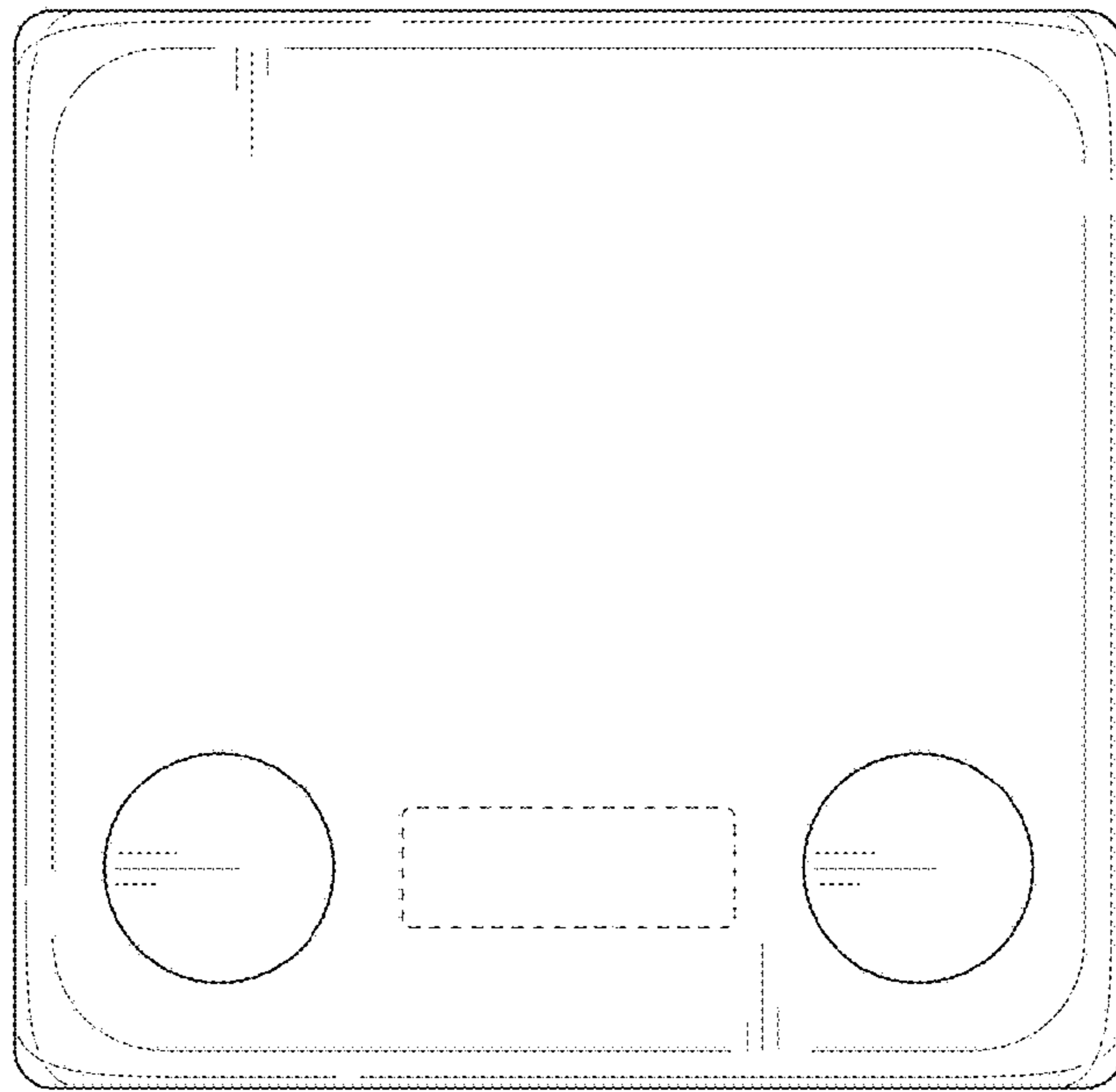


FIG. 7

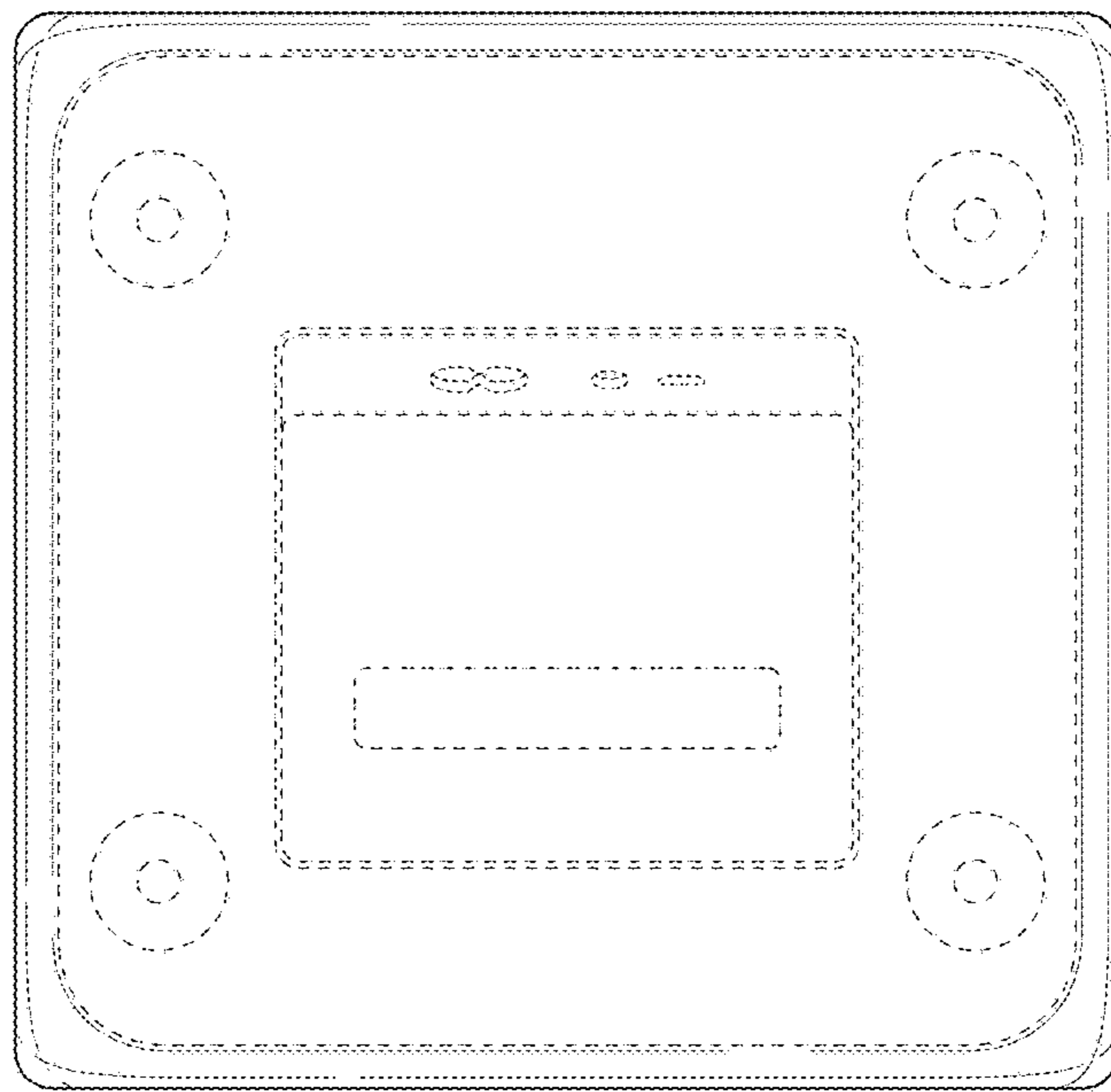


FIG. 8

