



US00D856974S

(12) **United States Design Patent**  
**Kiong et al.**

(10) **Patent No.:** **US D856,974 S**

(45) **Date of Patent:** **\*\* Aug. 20, 2019**

(54) **SOUND DEVICE**

(71) Applicant: **Creative Technology Ltd**, Singapore (SG)

(72) Inventors: **Sy Gia Kiong**, Singapore (SG);  
**Shintaro Kitazawa**, Singapore (SG)

(73) Assignee: **Creative Technology Ltd**, Singapore (SG)

(\*\*) Term: **15 Years**

(21) Appl. No.: **29/589,423**

(22) Filed: **Dec. 30, 2016**

(51) **LOC (12) Cl.** ..... **14-01**

(52) **U.S. Cl.**  
USPC ..... **D14/215**; D14/214

(58) **Field of Classification Search**  
USPC ..... D14/167, 168, 170–172, 188, 194–196,  
D14/204, 209.1, 210–216, 219, 221, 222,  
D14/224, 239, 496  
CPC ..... B60R 11/0217; G06F 1/1688; G10K 9/22;  
G10K 11/004; H03F 1/327; H04M 1/03;  
H04M 1/035; H04N 5/642; H04N  
21/4852; H04S 3/00; H04S 7/30; H04R  
1/02; H04R 1/06; H04R 1/021; H04R  
1/025; H04R 1/026; H04R 1/028; H04R  
1/105; H04R 1/323; H04R 1/403; H04R  
1/2803; H04R 1/2834; H04R 5/02; H04R  
7/20; H04R 9/06; H04R 9/025; H04R  
2201/021; H04R 2400/00; H04R 2400/07;  
H04R 2499/11; H04R 2499/13; H04R  
2499/15

See application file for complete search history.

4,076,097 A \* 2/1978 Clarke ..... H04R 1/2834  
181/147  
D449,036 S \* 10/2001 Weikel ..... D14/214  
D548,222 S \* 8/2007 Kim ..... D14/214  
D638,401 S \* 5/2011 Woo ..... D14/214  
D638,824 S \* 5/2011 Hotta ..... D14/215  
D671,527 S \* 11/2012 Lee ..... D14/214  
D692,866 S \* 11/2013 Tanaka ..... H04R 1/2834  
D14/215  
D766,868 S \* 9/2016 Breines ..... D14/204  
D777,704 S \* 1/2017 Helwig ..... D14/215  
D816,029 S \* 4/2018 Dai ..... D13/108  
D818,988 S \* 5/2018 Kitazawa ..... D14/204  
D842,274 S \* 3/2019 Kiong ..... D14/215

\* cited by examiner

*Primary Examiner* — Keli L Hill

(74) *Attorney, Agent, or Firm* — Russell Swerdon;  
Desmund Gean

(57) **CLAIM**

The ornamental design for a sound device, substantially as shown and described.

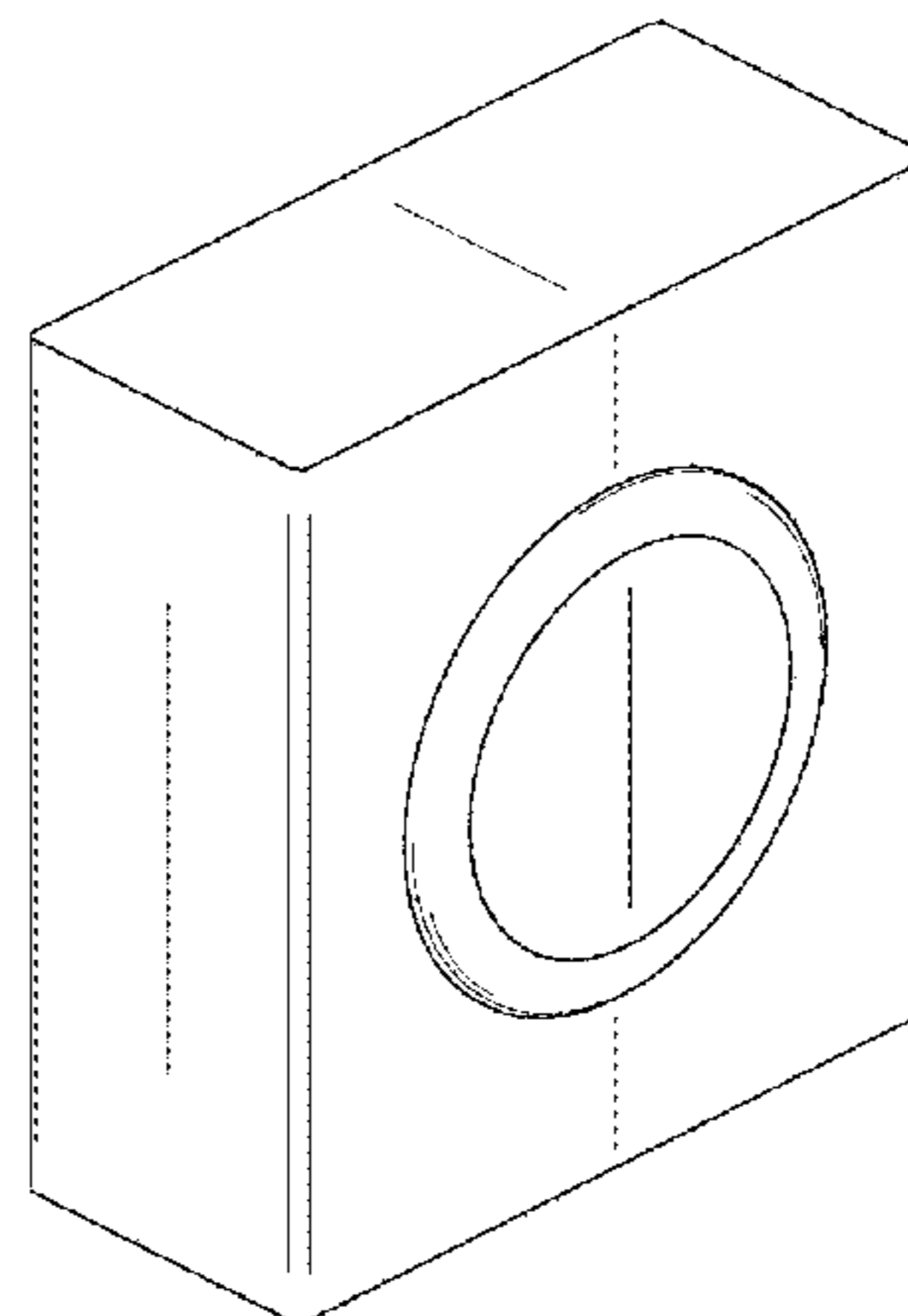
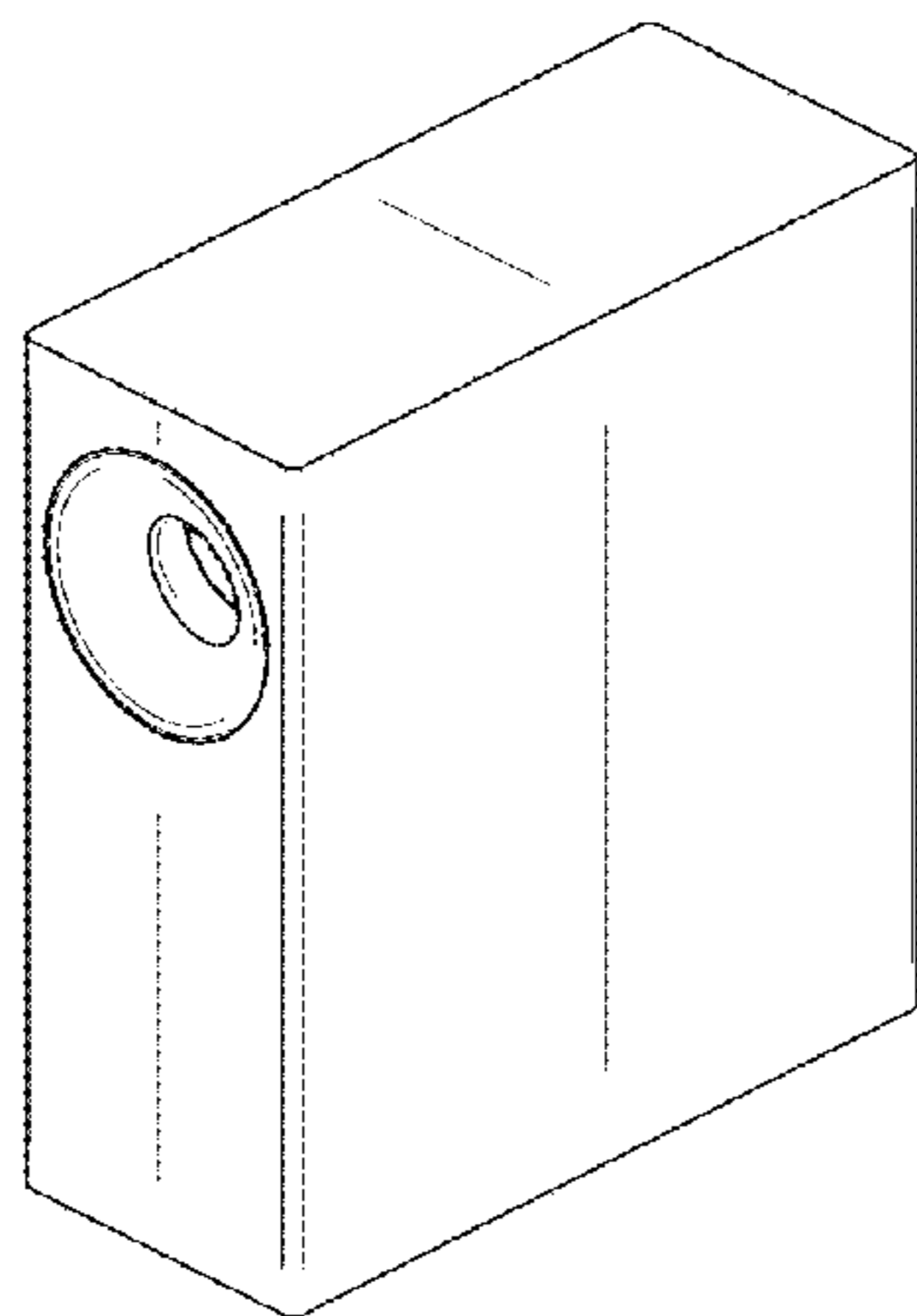
**DESCRIPTION**

FIG. 1 is a front perspective view of a sound device showing our new design;  
FIG. 2 is a rear perspective view of the sound device in FIG. 1;  
FIG. 3 is a front view thereof;  
FIG. 4 is a rear view thereof;  
FIG. 5 is a left side view thereof;  
FIG. 6 is a right side view thereof;  
FIG. 7 is a top view thereof; and,  
FIG. 8 is a bottom view thereof.  
The broken line portions of FIG. 1 and FIG. 3 are included to show unclaimed subject matter only and form no part of the claimed design.

(56) **References Cited**  
U.S. PATENT DOCUMENTS

D229,068 S \* 11/1973 Engle ..... D14/212  
D230,194 S \* 1/1974 Buckler ..... D14/197

**1 Claim, 8 Drawing Sheets**



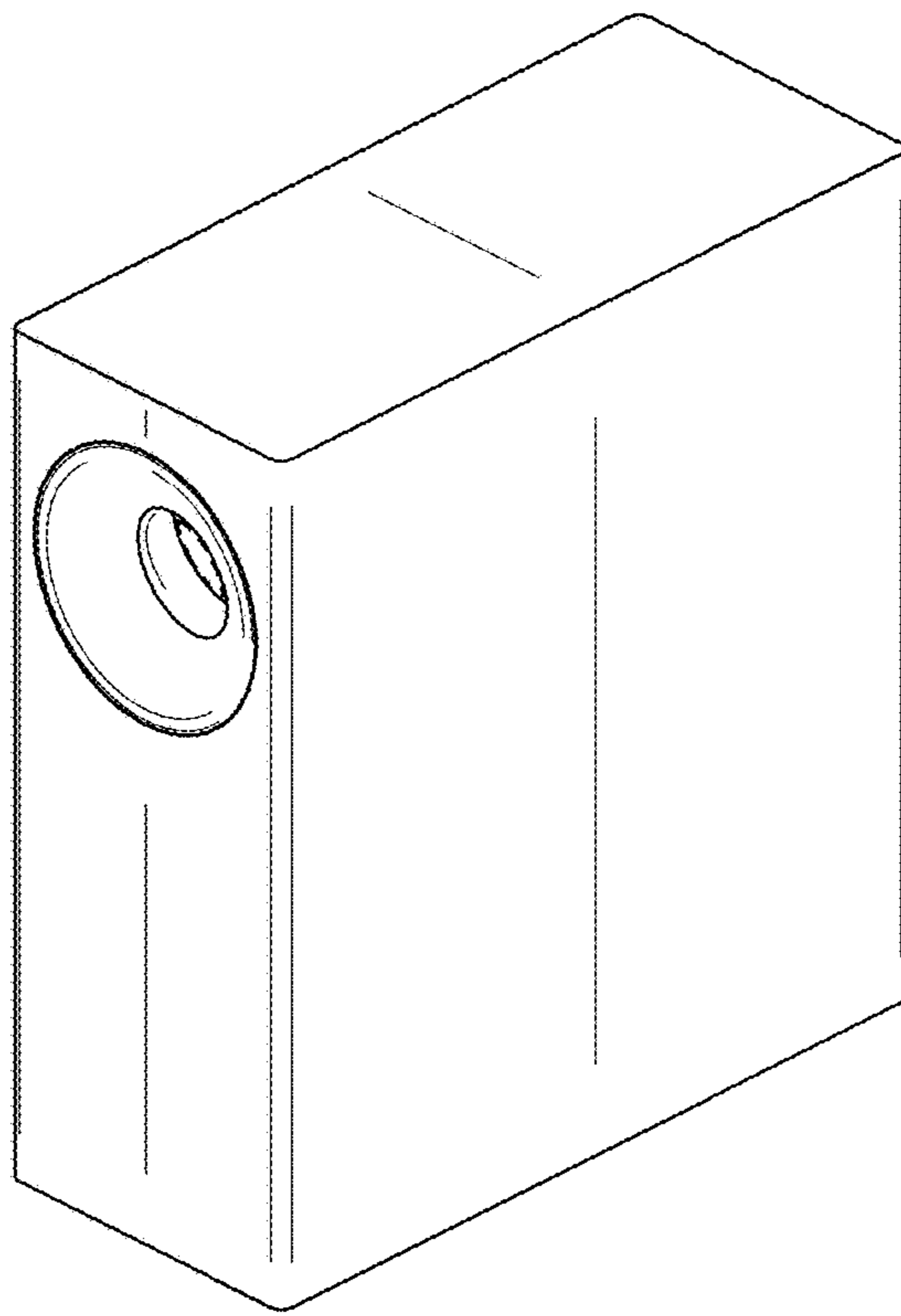


FIG. 1

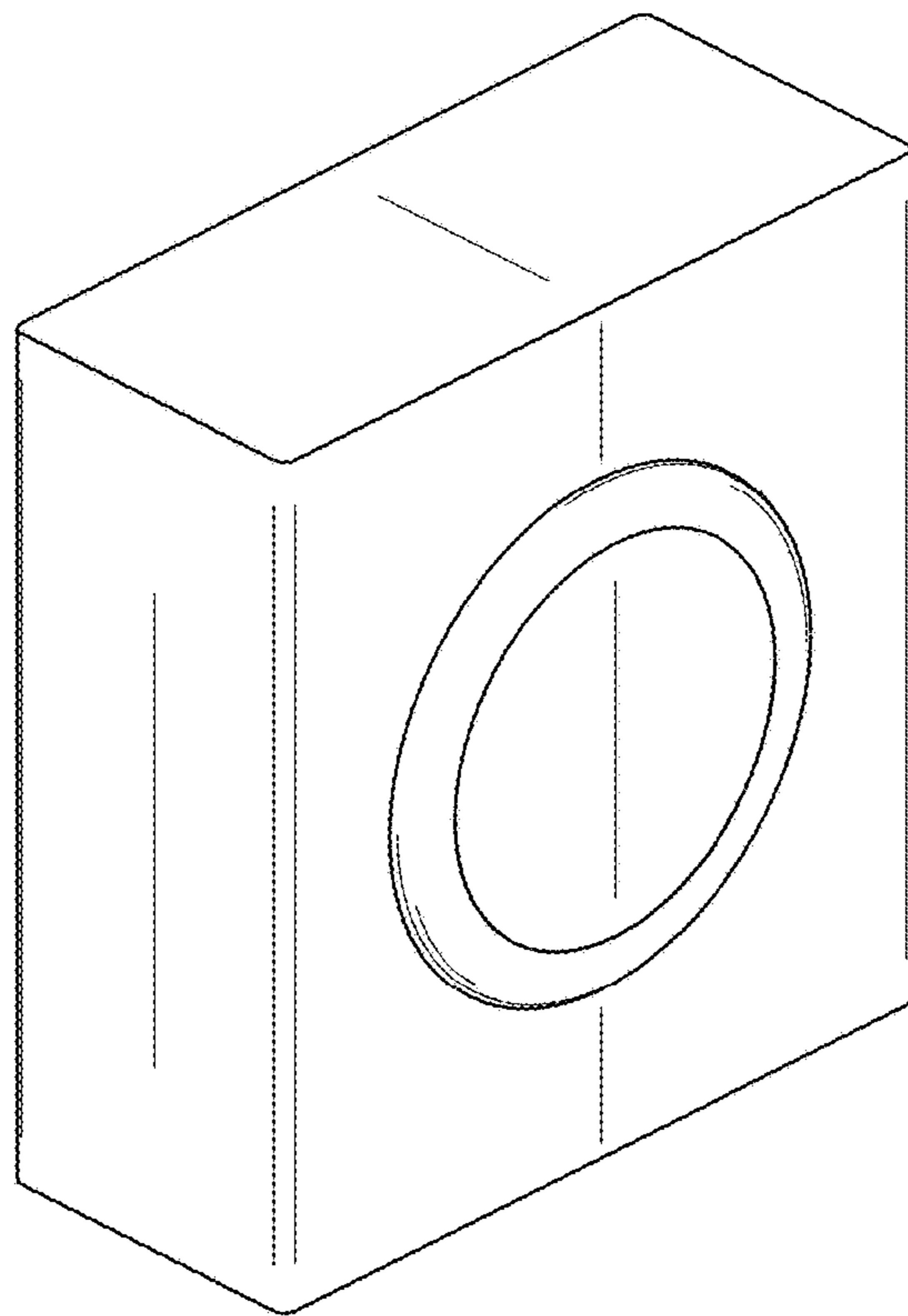


FIG. 2

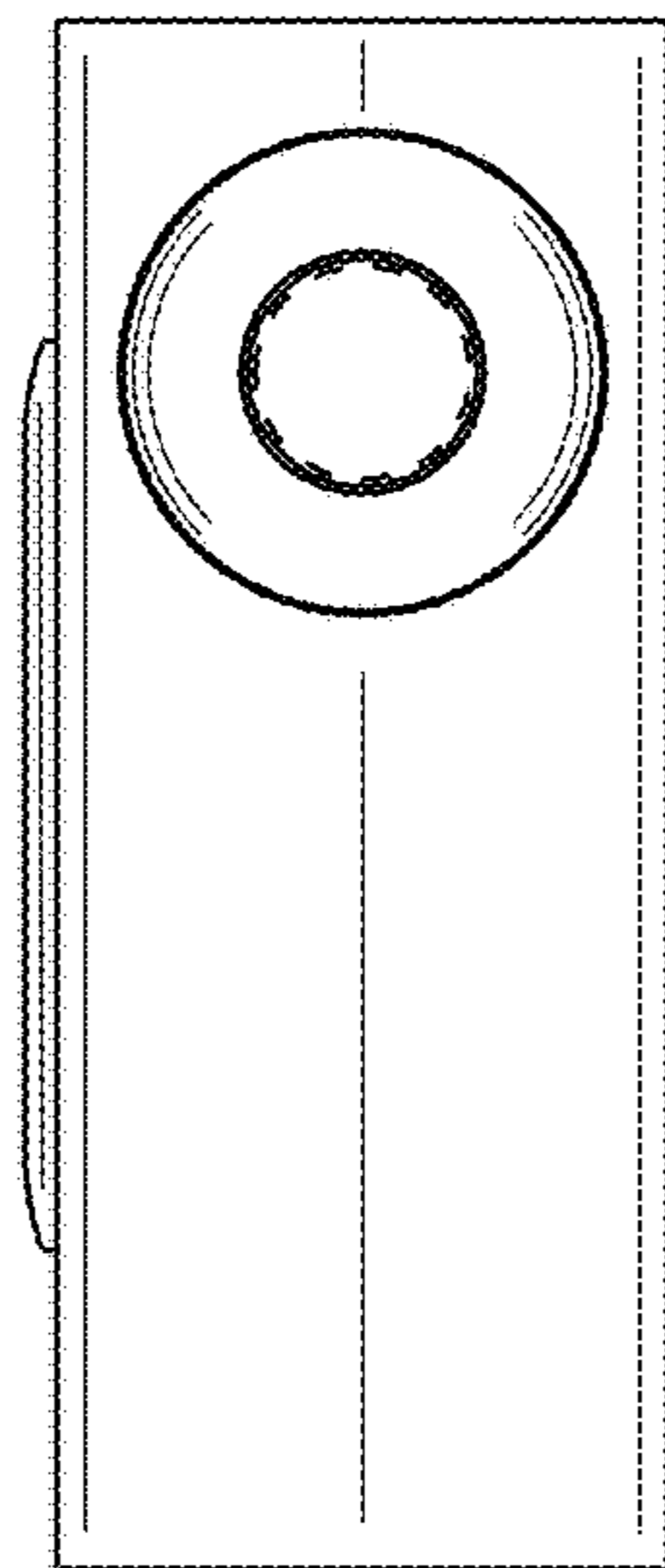


FIG. 3

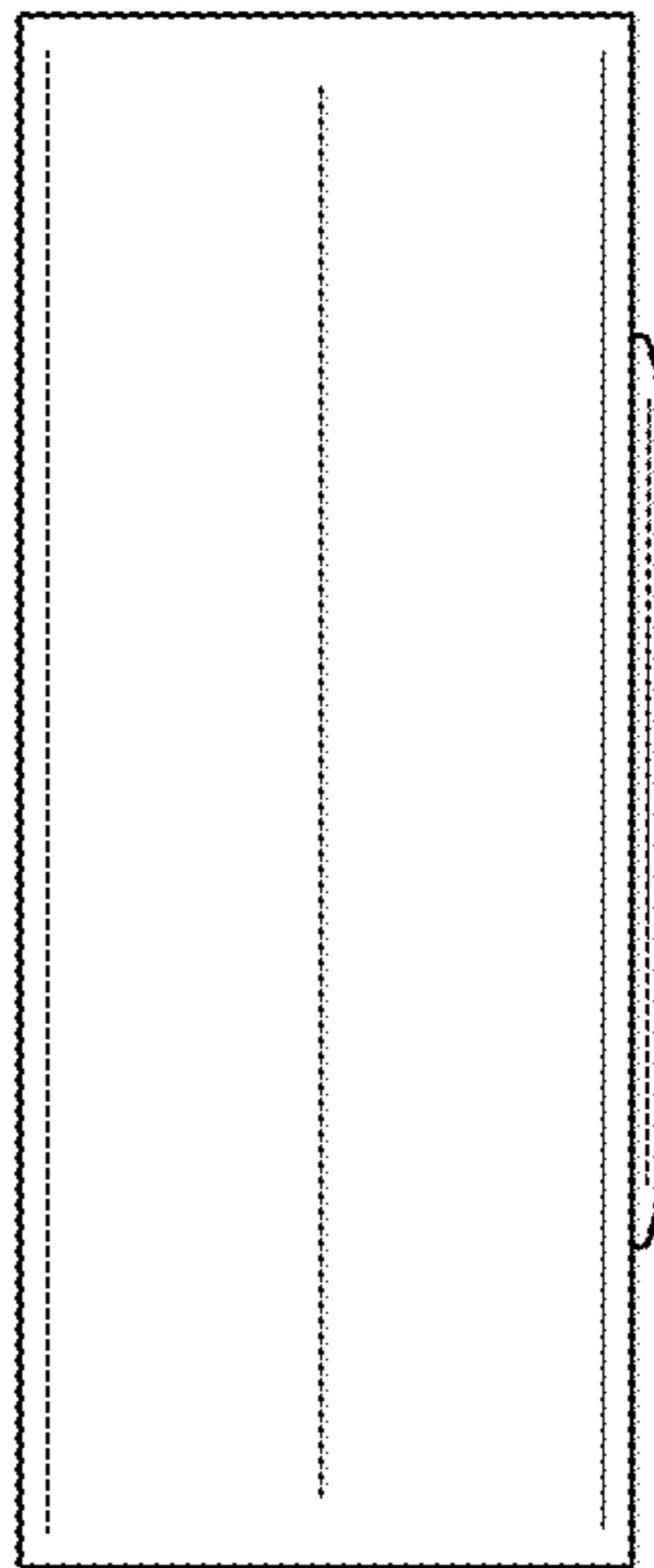


FIG. 4

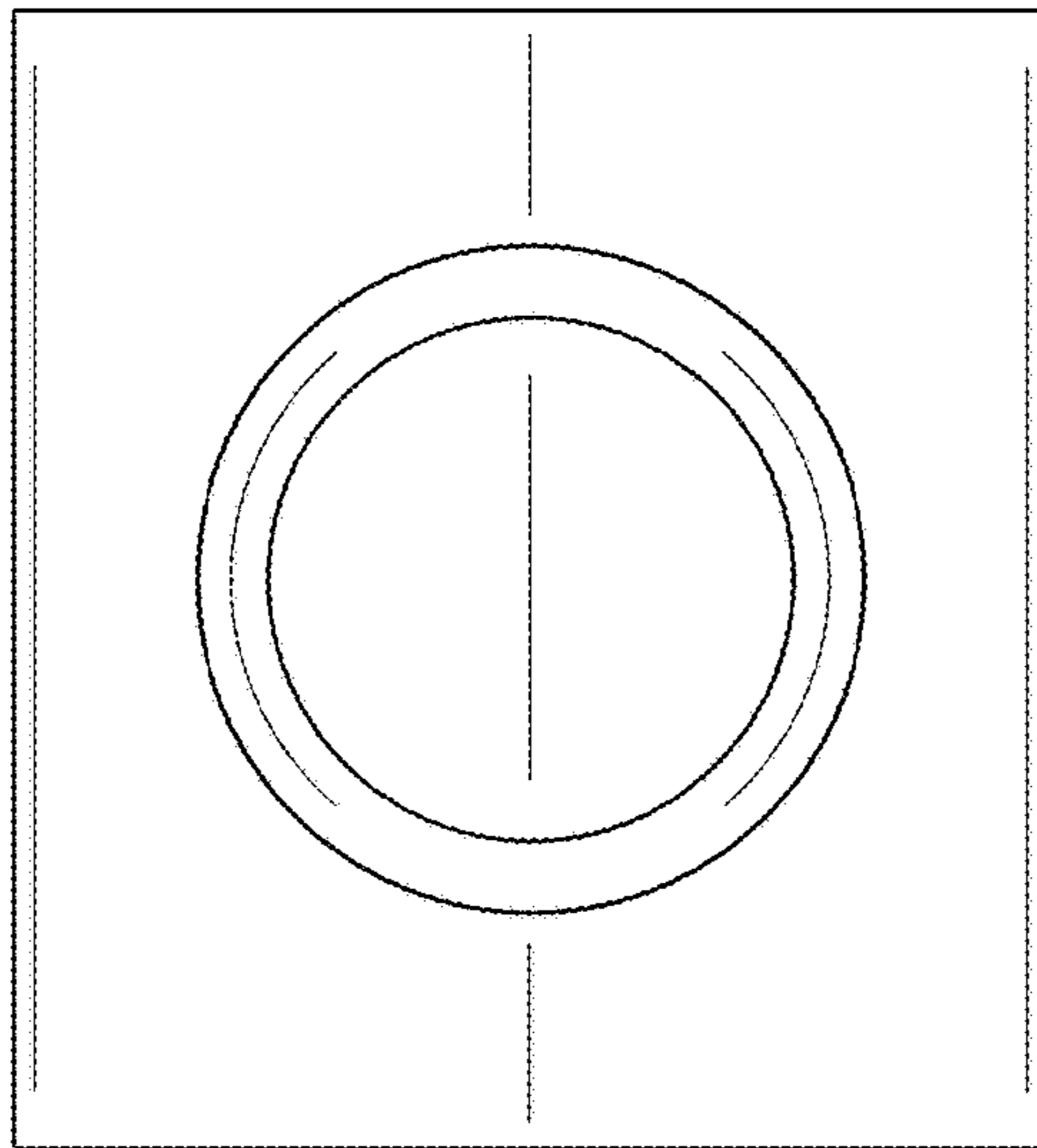


FIG. 5

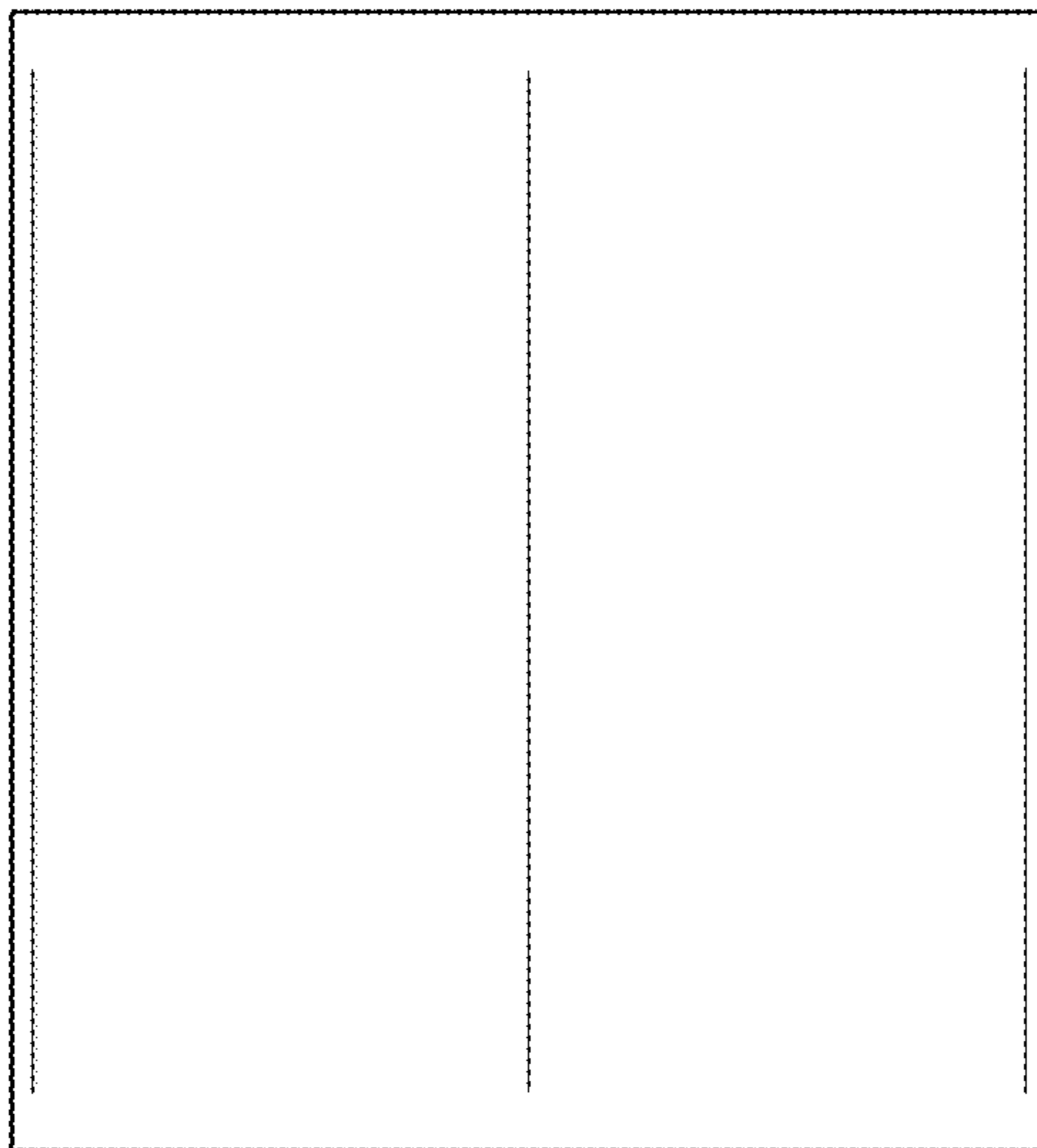


FIG. 6

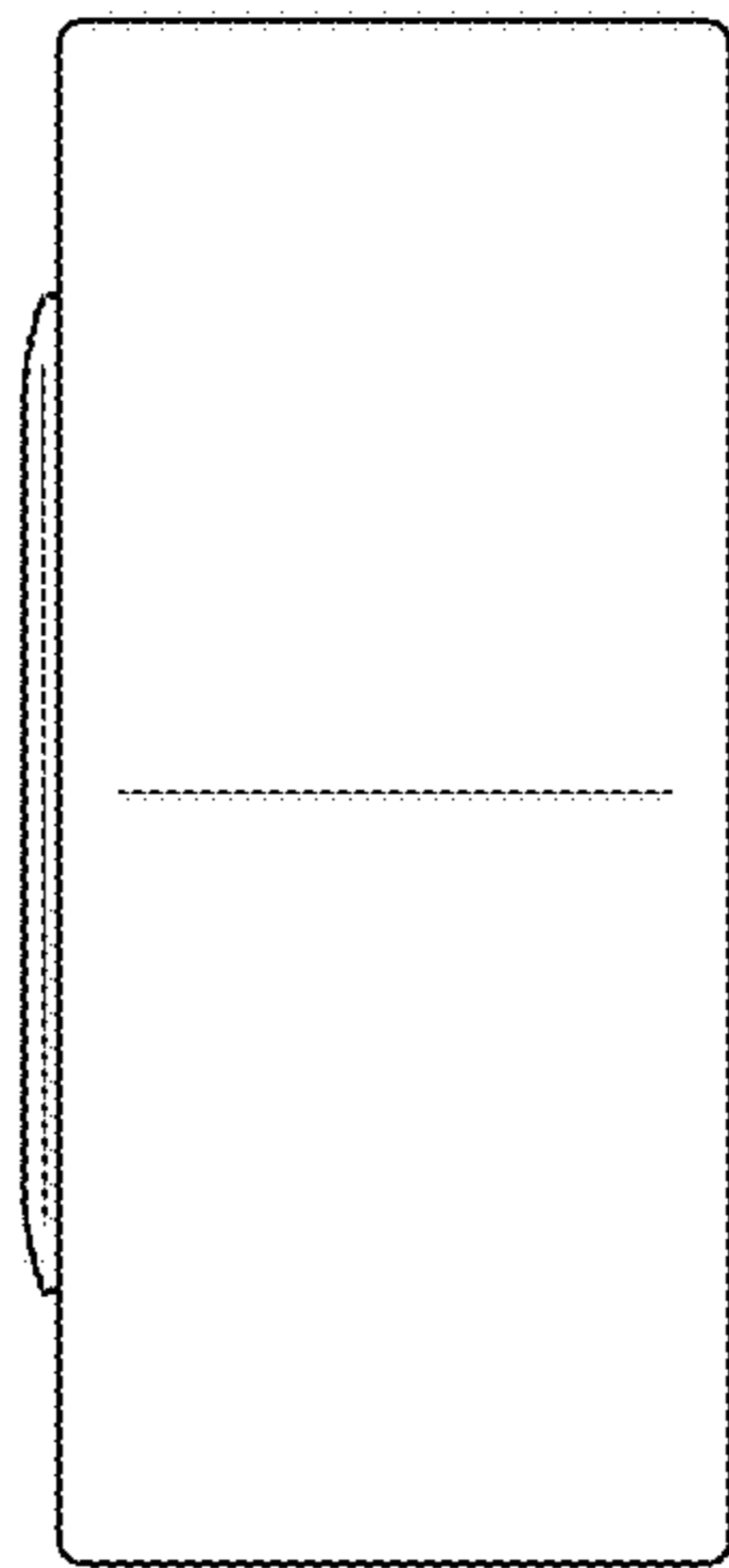


FIG. 7



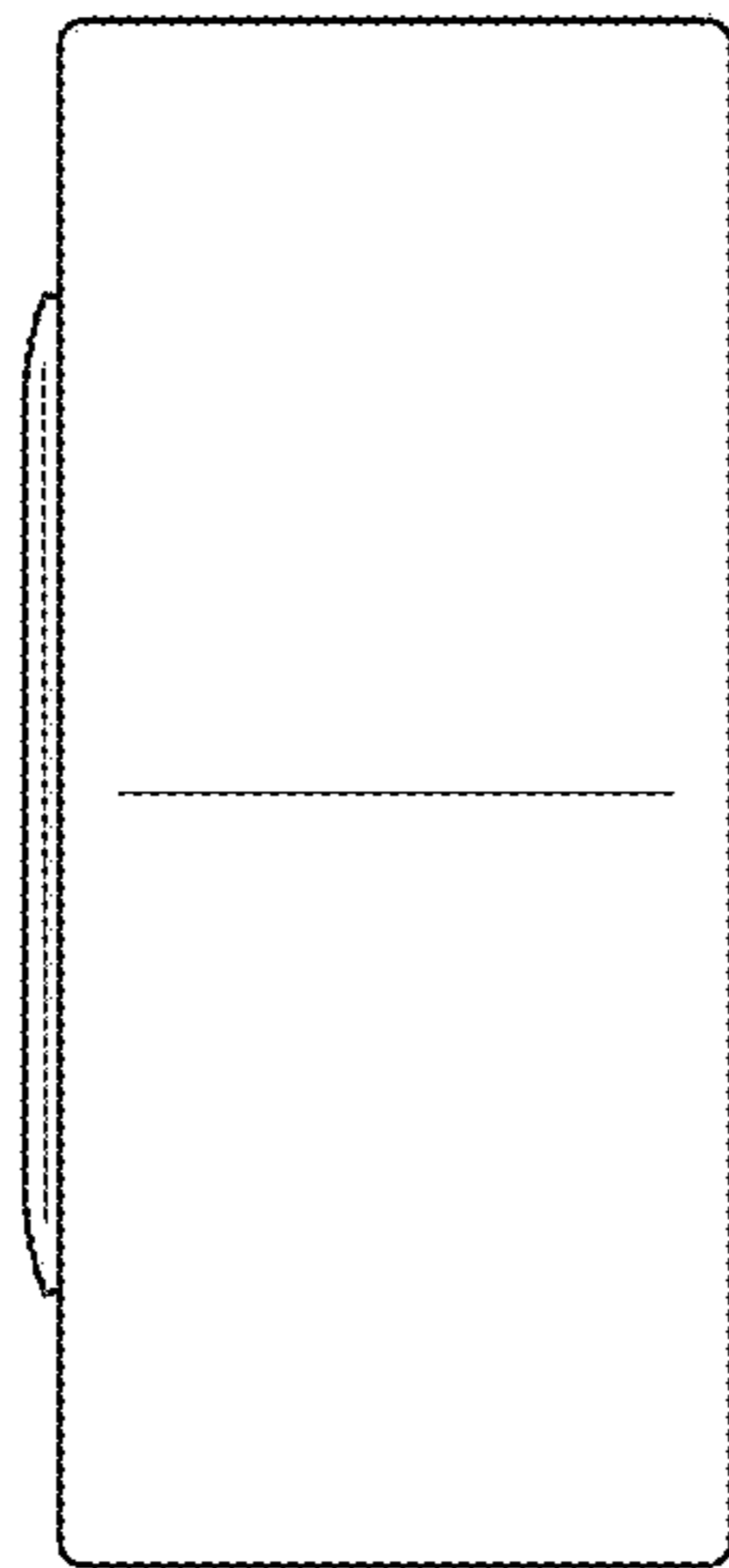


FIG. 8