



US00D856971S

(12) **United States Design Patent**  
**Tang**

(10) **Patent No.:** **US D856,971 S**

(45) **Date of Patent:** **\*\* Aug. 20, 2019**

(54) **EARPHONE**

(71) Applicant: **Mengneng Tang**, Hunan (CN)

(72) Inventor: **Mengneng Tang**, Hunan (CN)

(73) Assignee: **DONGGUAN KOTION ELECTRONICS TECH CO., LTD.**, Hengli Town, Dongguan (CN)

(\*\*) Term: **15 Years**

(21) Appl. No.: **29/622,846**

(22) Filed: **Oct. 20, 2017**

(51) **LOC (12) Cl.** ..... **14-01**

(52) **U.S. Cl.**  
USPC ..... **D14/206; D14/226**

(58) **Field of Classification Search**  
USPC ..... D14/206, 205, 188, 192, 225, 226, 372;  
D29/112; 2/209; 181/129, 130, 135;  
379/430, 431; 381/380, 381, 374, 370,  
381/74; 455/90.3, 575.1, 569.1; 345/7, 8  
CPC .... H04R 1/1066; H04R 1/1016; H04R 5/033;  
H04R 5/0335; H04R 25/00; H04R 25/02;  
H04R 1/08; H04R 19/04  
See application file for complete search history.

(56) **References Cited**

**U.S. PATENT DOCUMENTS**

5,185,807	A *	2/1993	Bergin	.....	H04R 1/1066 181/128
D344,730	S *	3/1994	Gathey	.....	D14/206
D423,012	S *	4/2000	Yasutomi	.....	D14/205
D431,550	S *	10/2000	Yoneda	.....	D14/205
D517,527	S *	3/2006	Suzuki	.....	D14/205
D517,528	S *	3/2006	Skulley	.....	D14/206
D530,307	S *	10/2006	Rath	.....	D14/206
D531,165	S *	10/2006	Rath	.....	D14/206
D589,492	S *	3/2009	Mistry	.....	D14/205
D604,266	S *	11/2009	Milde	.....	D14/205

D641,727	S *	7/2011	Krauss	.....	D14/206
D645,023	S *	9/2011	Brandis	.....	D14/206
8,139,807	B2 *	3/2012	Reiss	.....	H04R 1/1083 381/371
D672,744	S *	12/2012	Scarpa	.....	D14/205
8,443,467	B2 *	5/2013	Chiang	.....	A61F 11/06 2/209
D689,464	S *	9/2013	Bonahoom	.....	D14/206
D690,284	S *	9/2013	Brennwald	.....	D14/205
D691,111	S *	10/2013	Lee	.....	D14/206
8,559,665	B2 *	10/2013	Schmidt	.....	H04R 1/1066 381/370
D693,327	S *	11/2013	Chiu	.....	D14/206
D699,216	S *	2/2014	Bonahoom	.....	D14/205
D713,375	S *	9/2014	Dedinas	.....	D14/206
D723,509	S *	3/2015	Garland	.....	D14/205
9,036,849	B2 *	5/2015	Thompson	.....	H04R 1/083 381/122
D733,677	S *	7/2015	Ling	.....	D14/206
D766,208	S *	9/2016	Paterson	.....	D14/205
D788,071	S *	5/2017	Logan	.....	D14/205

(Continued)

*Primary Examiner* — Paula Allen Greene

(74) *Attorney, Agent, or Firm* — Justin Lampel

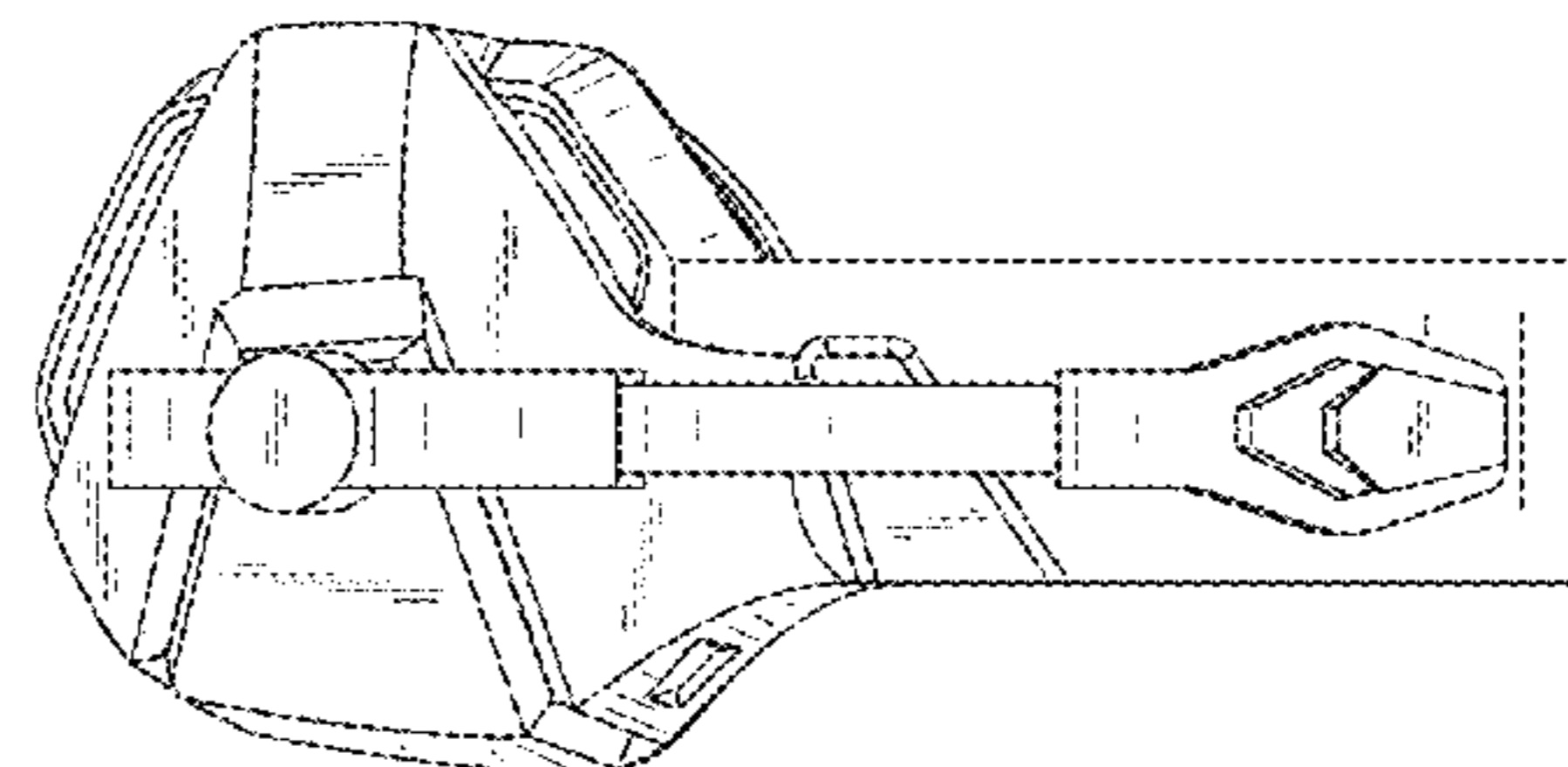
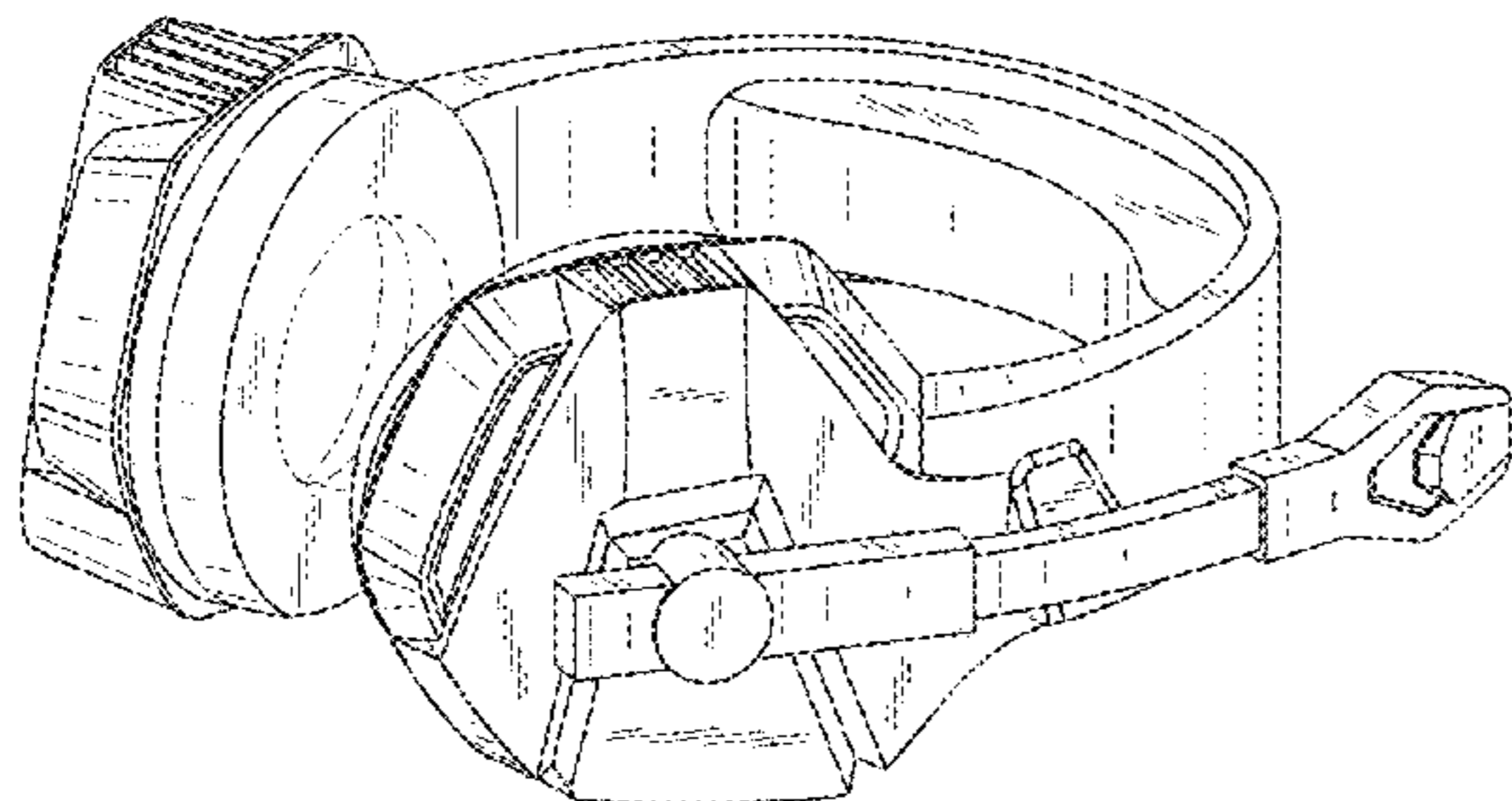
(57) **CLAIM**

The ornamental design for earphone, as shown and described.

**DESCRIPTION**

FIG. 1 is a perspective view of an earphone showing my new design;  
FIG. 2 is a bottom plan view thereof;  
FIG. 3 is a top plan view thereof;  
FIG. 4 is a left side view thereof;  
FIG. 5 is a right side view thereof;  
FIG. 6 is a front elevational view thereof; and,  
FIG. 7 is a back elevation view thereof.  
The broken lines depict environment that forms no part of the claimed design.

**1 Claim, 7 Drawing Sheets**



(56)

**References Cited**

U.S. PATENT DOCUMENTS

D791,734 S *	7/2017	Ou .....	D14/206
D800,092 S *	10/2017	Paterson .....	D14/206
D815,614 S *	4/2018	Tzeng .....	D14/205
D820,813 S *	6/2018	Sharp .....	D14/206
D824,362 S *	7/2018	Probst .....	D14/206
D841,620 S *	2/2019	Liu .....	D14/206
2001/0017925 A1 *	8/2001	Ceravolo .....	H04M 1/05 381/370
2011/0194721 A1 *	8/2011	Schmidt .....	H04R 1/1066 381/370

\* cited by examiner

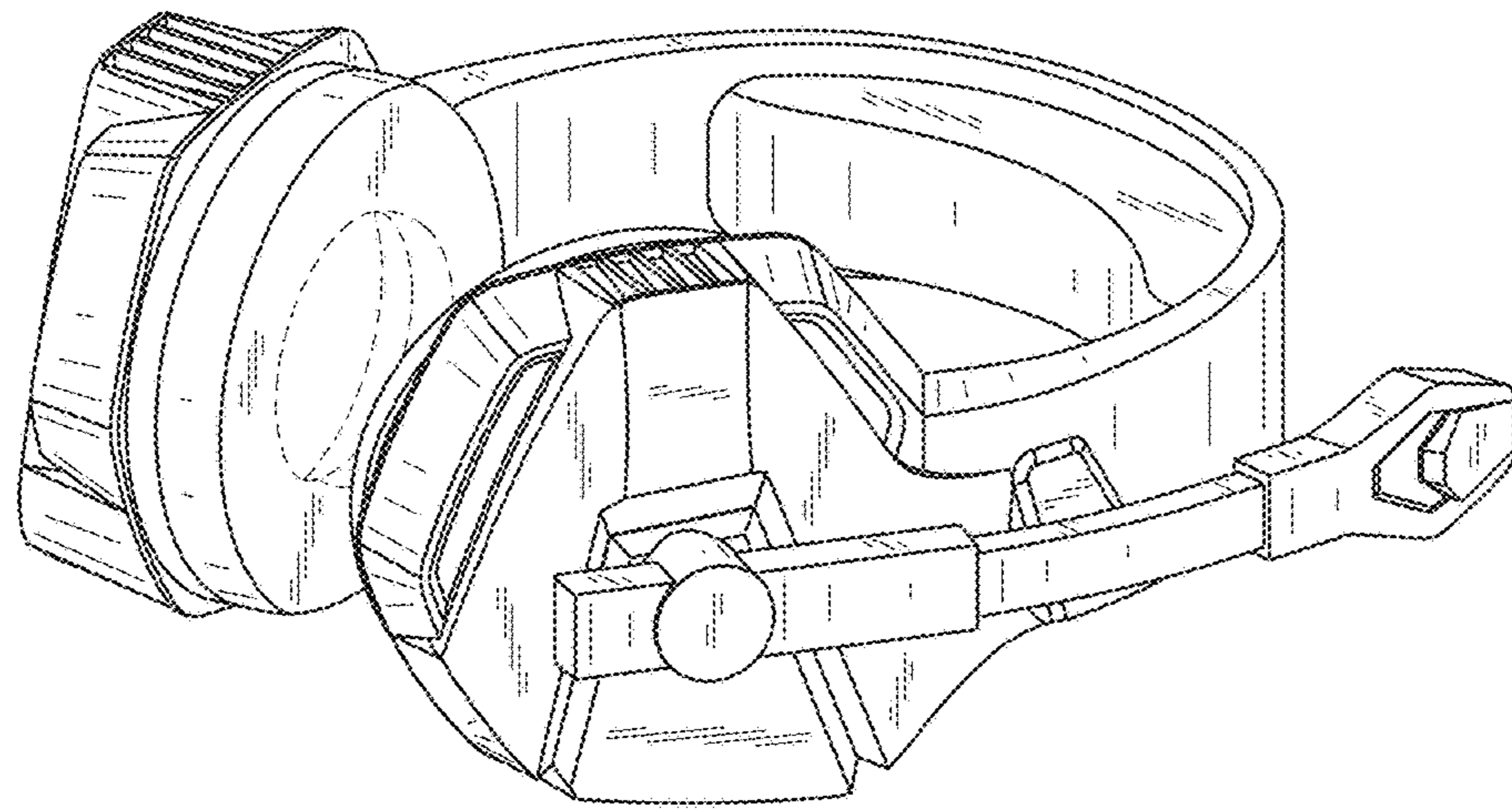


FIG. 1

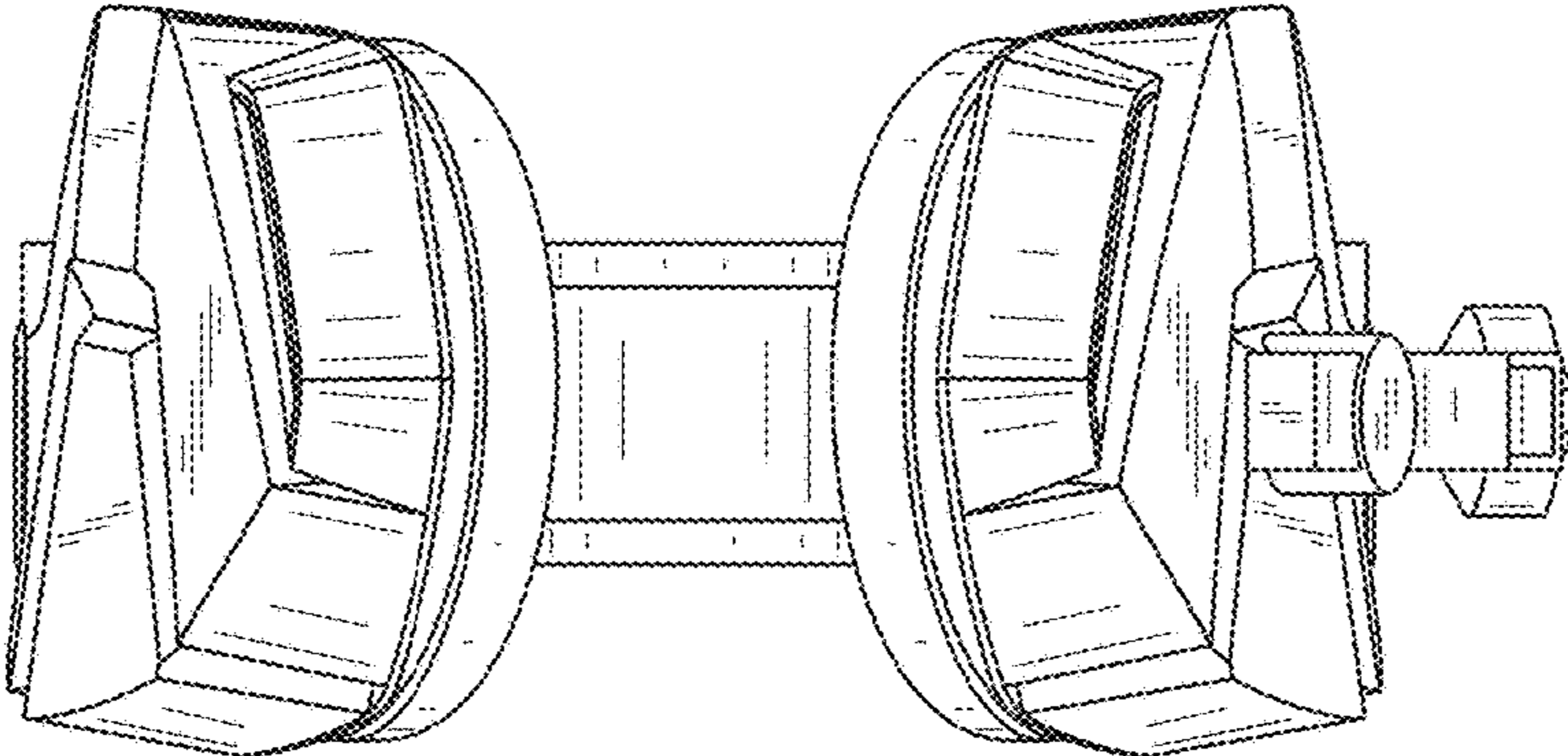


FIG. 2

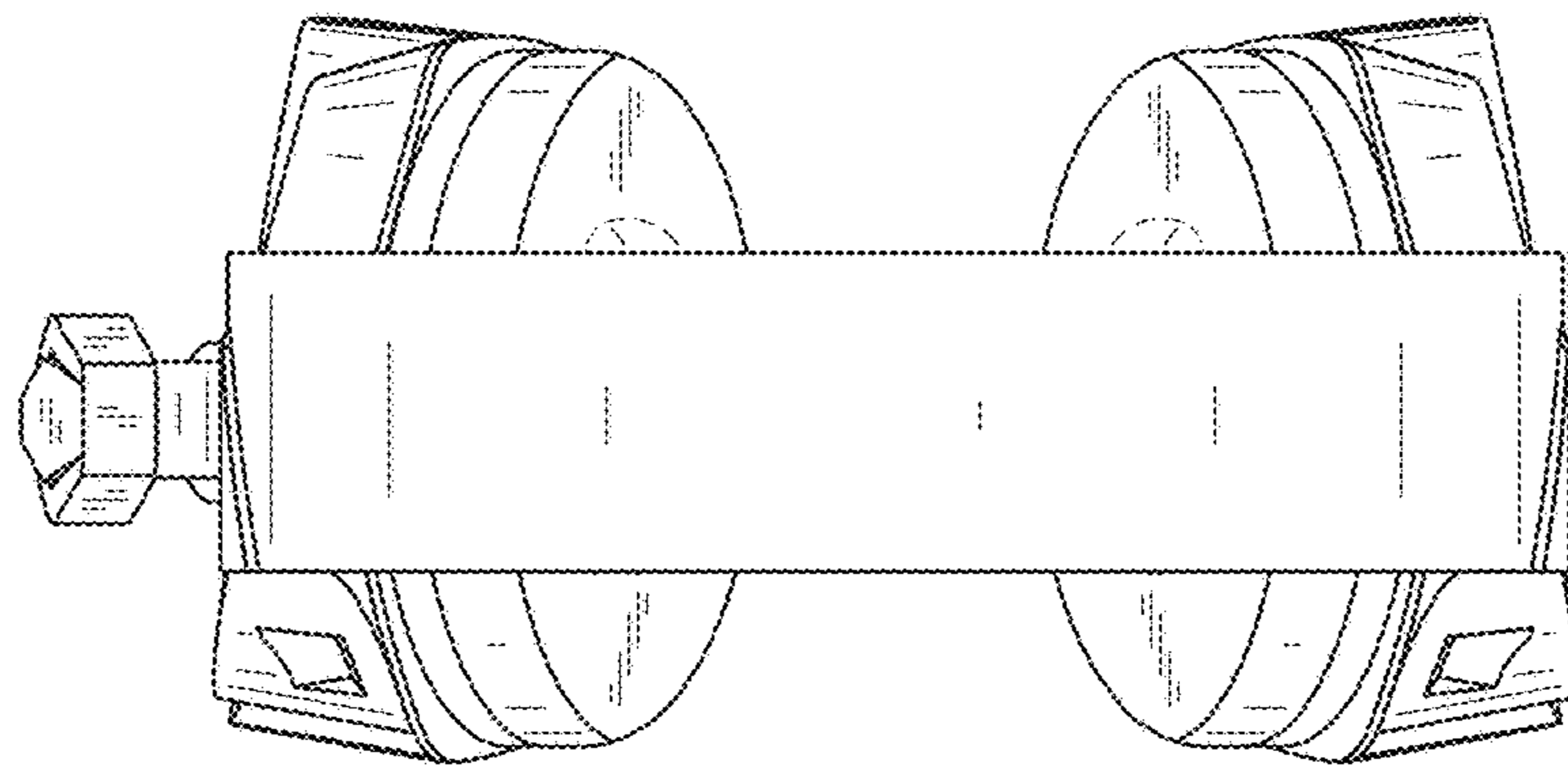


FIG. 3



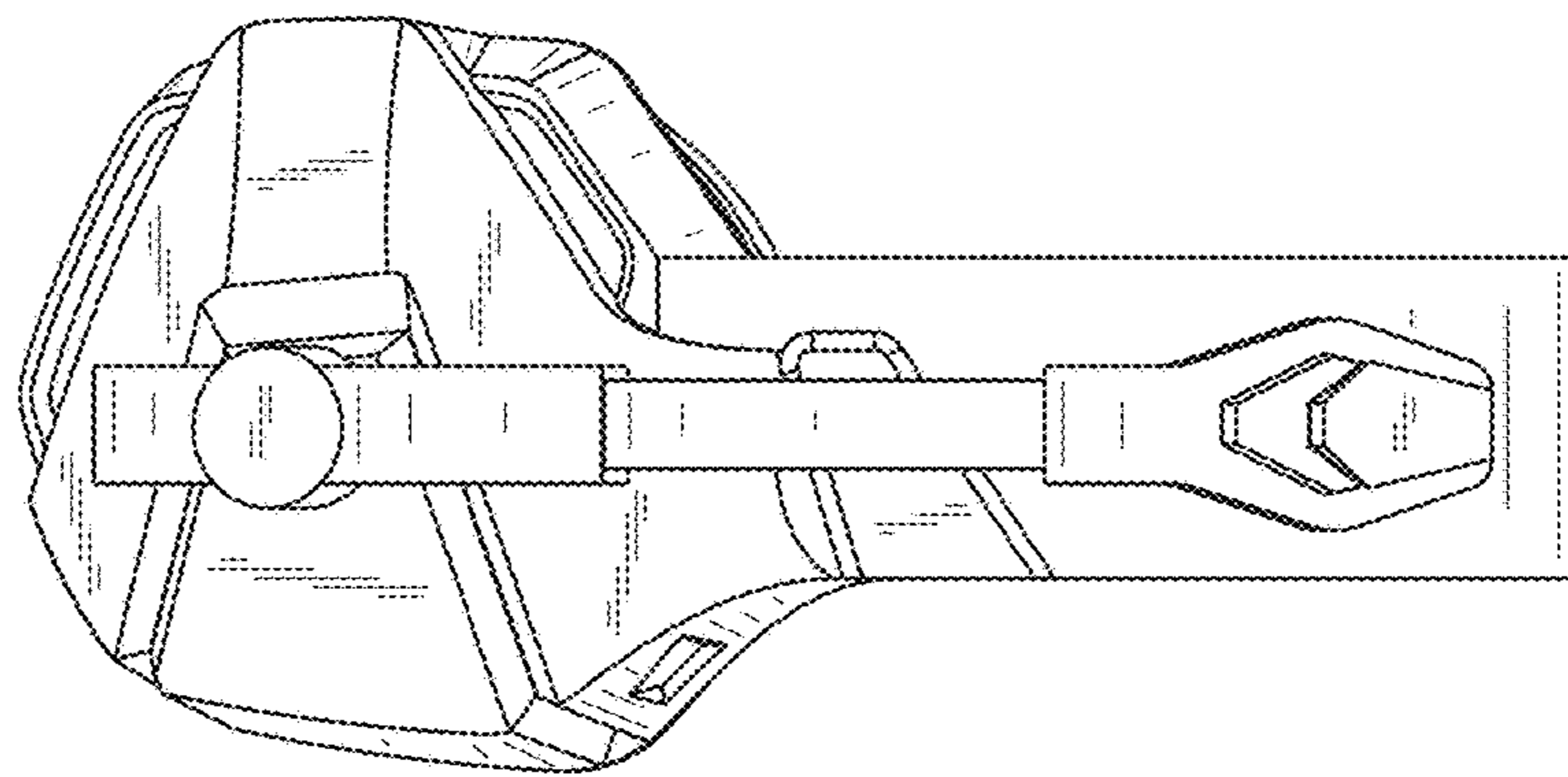


FIG. 4

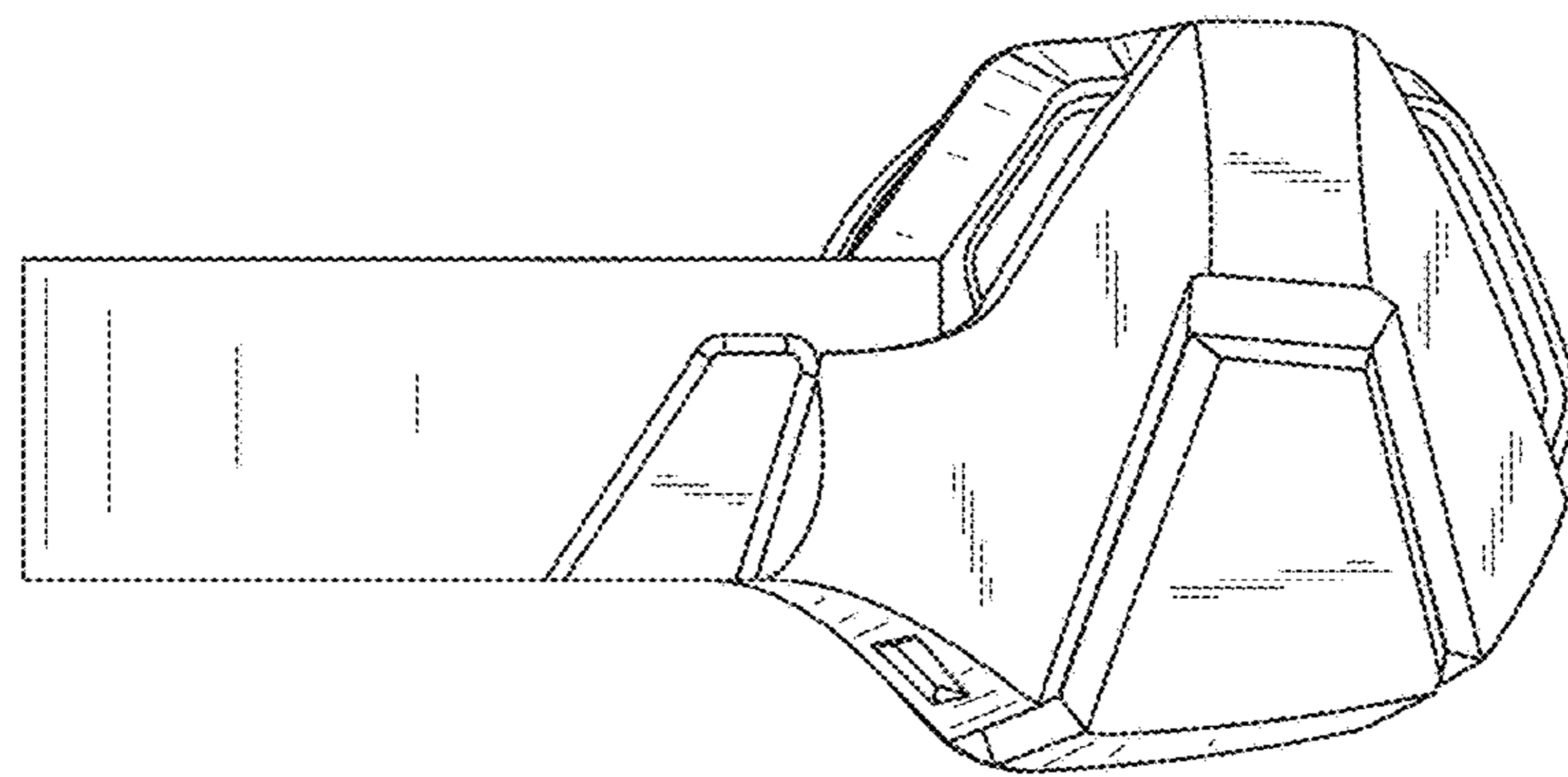


FIG. 5

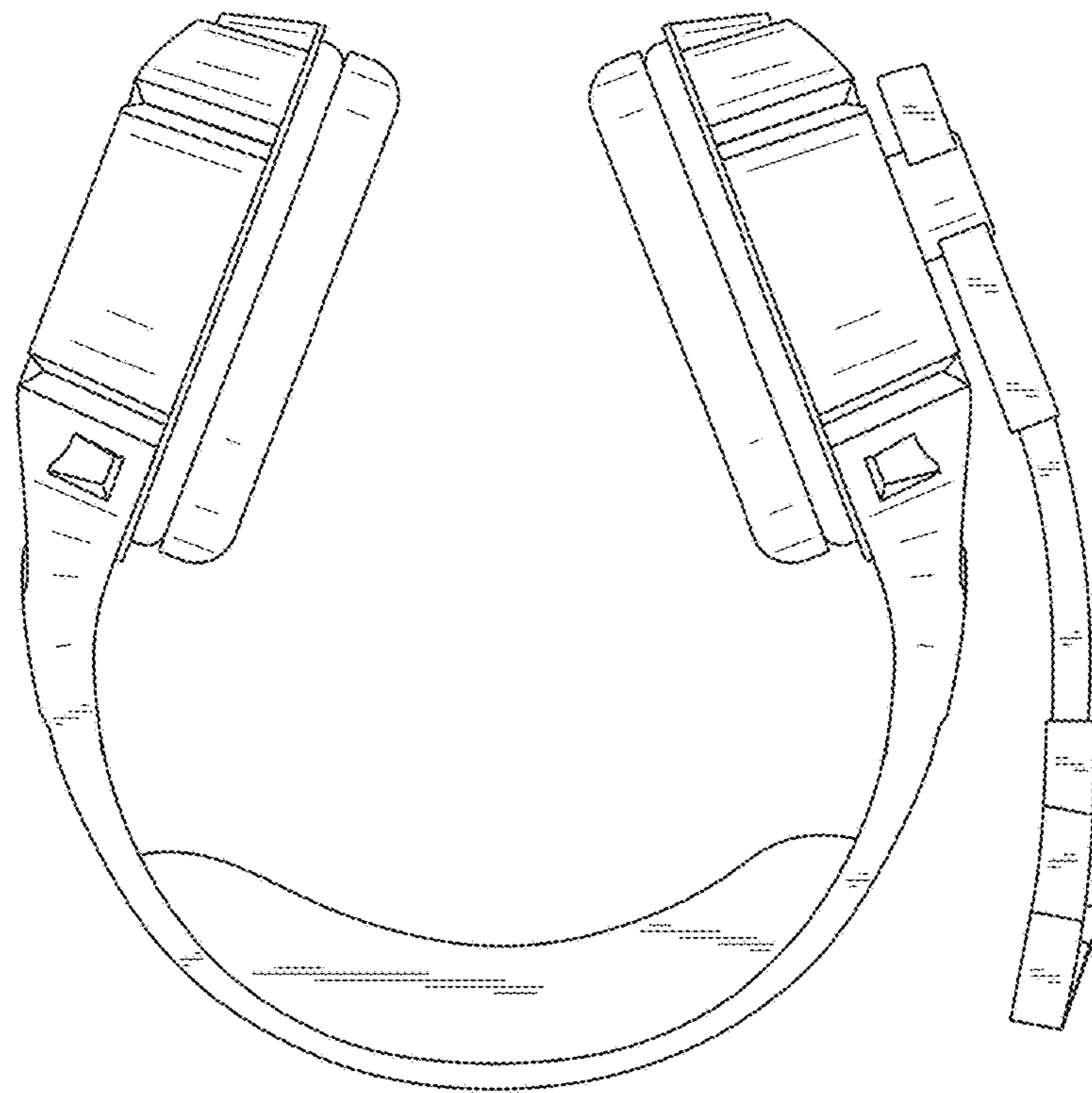


FIG. 6



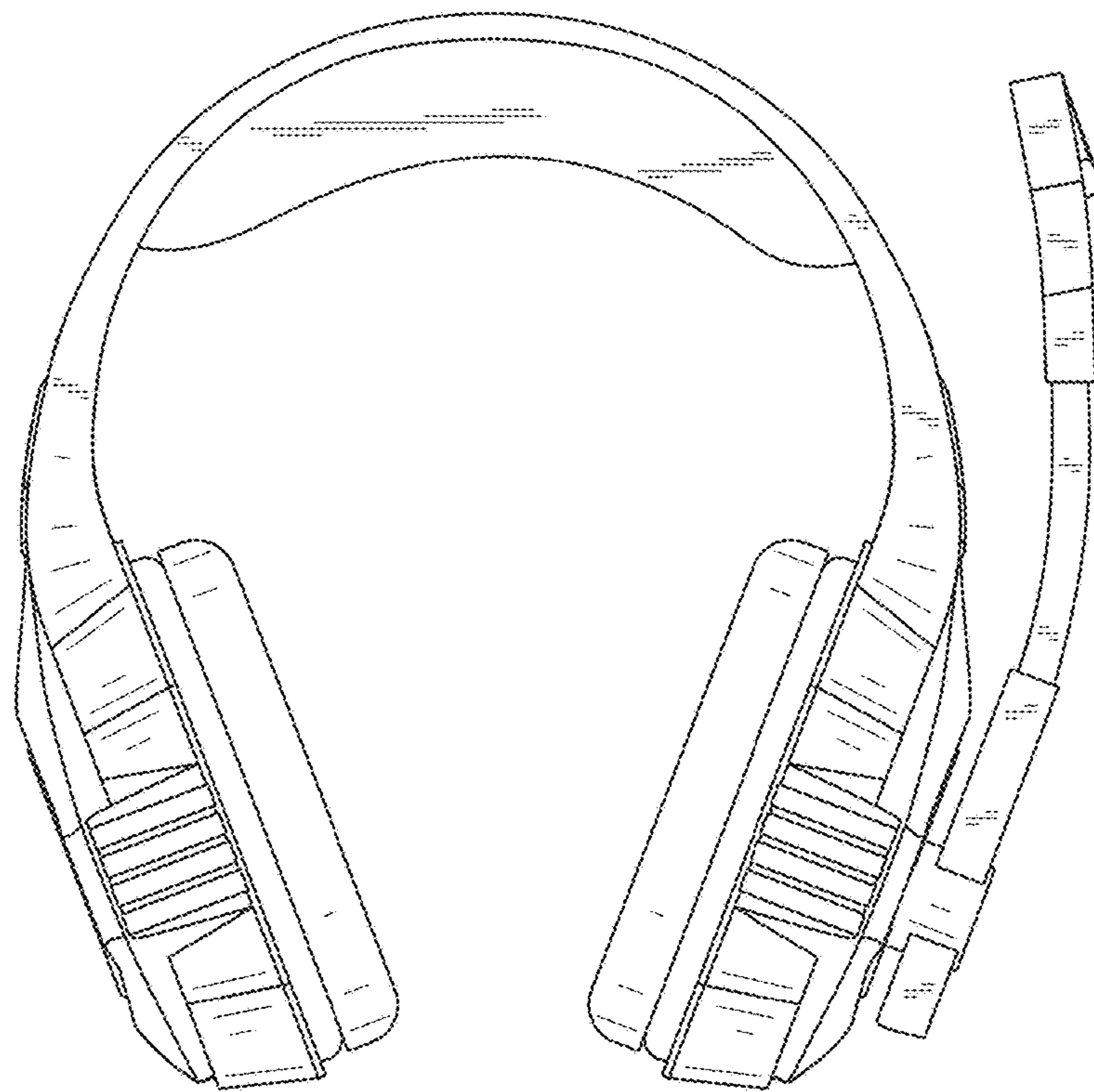


FIG. 7