



US00D856968S

(12) **United States Design Patent**
Tang

(10) **Patent No.:** **US D856,968 S**

(45) **Date of Patent:** **** Aug. 20, 2019**

(54) **EARPHONE**

(71) Applicant: **Mengneng Tang**, Hunan (CN)

(72) Inventor: **Mengneng Tang**, Hunan (CN)

(73) Assignee: **DONGGUAN KOTION ELECTRONICS TECH CO., LTD**, Hengli Town, Dongguan (CN)

(**) Term: **15 Years**

(21) Appl. No.: **29/622,843**

(22) Filed: **Oct. 20, 2017**

(51) **LOC (12) Cl.** **14-01**

(52) **U.S. Cl.**
USPC **D14/206; D14/226**

(58) **Field of Classification Search**
USPC D14/206, 205, 188, 192, 372; D29/112;
2/209; 181/129, 130, 135; 379/430, 431;
381/380, 381, 370, 374, 74; 455/90.3,
455/575.1, 569.1; 345/7, 8
CPC H04R 1/1066; H04R 1/1016; H04R 5/033;
H04R 5/0335; H04R 25/00; H04R 25/02;
H04R 1/08; H04R 19/04
See application file for complete search history.

(56) **References Cited**

U.S. PATENT DOCUMENTS

5,185,807	A *	2/1993	Bergin	H04R 1/1066 181/128
D344,730	S *	3/1994	Gathey	D14/206
D423,012	S *	4/2000	Yasutomi	D14/205
D431,550	S *	10/2000	Yoneda	D14/205
D517,527	S *	3/2006	Suzuki	D14/205
D517,528	S *	3/2006	Skulley	D14/206
D531,165	S *	10/2006	Rath	D14/206
D589,492	S *	3/2009	Mistry	D14/205
D604,266	S *	11/2009	Milde	D14/205
D641,727	S *	7/2011	Krauss	D14/206

D645,023	S *	9/2011	Brandis	D14/206
8,139,807	B2 *	3/2012	Reiss	H04R 1/1083 381/371
D672,744	S *	12/2012	Scarpa	D14/205
8,443,467	B2 *	5/2013	Chiang	A61F 11/06 2/209
D689,464	S *	9/2013	Bonahoom	D14/206
D690,284	S *	9/2013	Brennwald	D14/205
D691,111	S *	10/2013	Lee	D14/206
8,559,665	B2 *	10/2013	Schmidt	H04R 1/1066 381/370
D693,327	S *	11/2013	Chiu	D14/206
D699,216	S *	2/2014	Bonahoom	D14/205
D713,375	S *	9/2014	Dedinas	D14/206
D723,509	S *	3/2015	Garland	D14/205
9,036,849	B2 *	5/2015	Thompson	H04R 1/083 381/122
D733,677	S *	7/2015	Ling	D14/206
D766,208	S *	9/2016	Paterson	D14/205
D788,071	S *	5/2017	Logan	D14/205
D791,734	S *	7/2017	Ou	D14/206

(Continued)

Primary Examiner — Paula Allen Greene

(74) *Attorney, Agent, or Firm* — Justin Lampel

(57) **CLAIM**

The ornamental design for earphone, as shown and described.

DESCRIPTION

FIG. 1 is a perspective view of a earphone showing my new design;

FIG. 2 is a top plan view thereof;

FIG. 3 is a rear elevational view thereof;

FIG. 4 is a bottom plan view thereof;

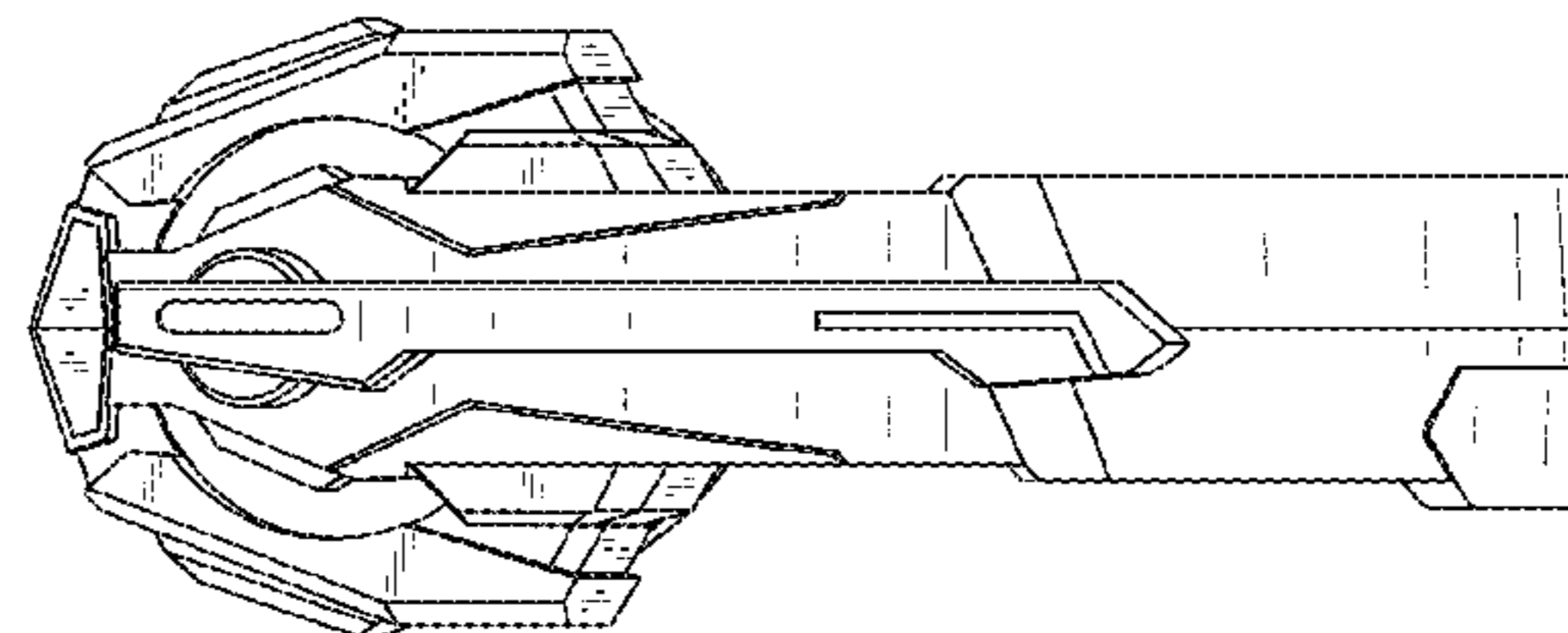
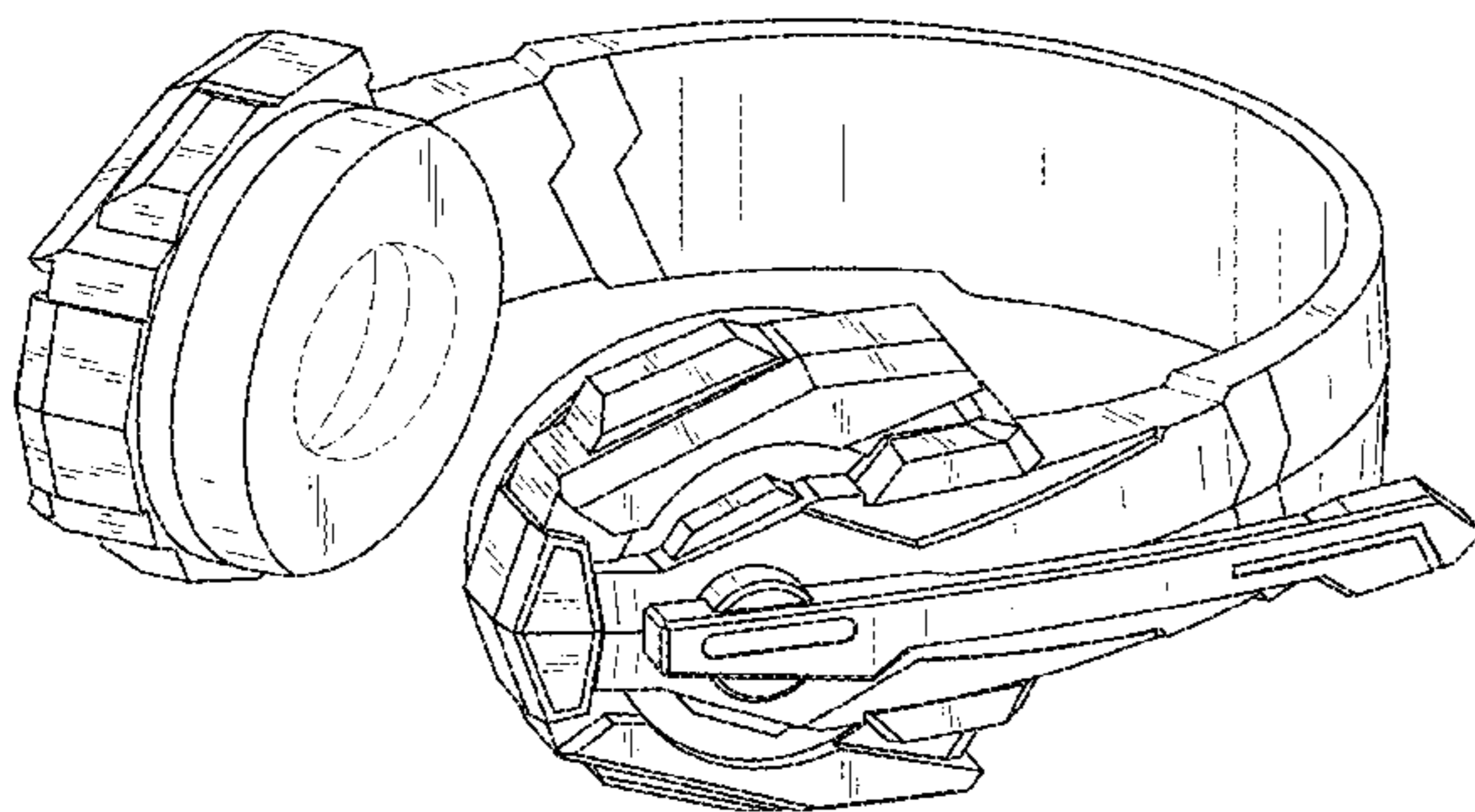
FIG. 5 is a right side view thereof;

FIG. 6 is a front elevational view thereof; and,

FIG. 7 is a left side view thereof.

The broken lines depict environment that forms no part of the claimed design.

1 Claim, 7 Drawing Sheets



(56)

References Cited

U.S. PATENT DOCUMENTS

D800,092 S *	10/2017	Paterson	D14/206
D815,614 S *	4/2018	Tzeng	D14/205
D820,813 S *	6/2018	Sharp	D14/206
D824,362 S *	7/2018	Probst	D14/206
D841,620 S *	2/2019	Liu	D14/206
D845,927 S *	4/2019	Wang	D14/206
2001/0017925 A1 *	8/2001	Ceravolo	H04M 1/05 381/370
2011/0194721 A1 *	8/2011	Schmidt	H04R 1/1066 381/370

* cited by examiner

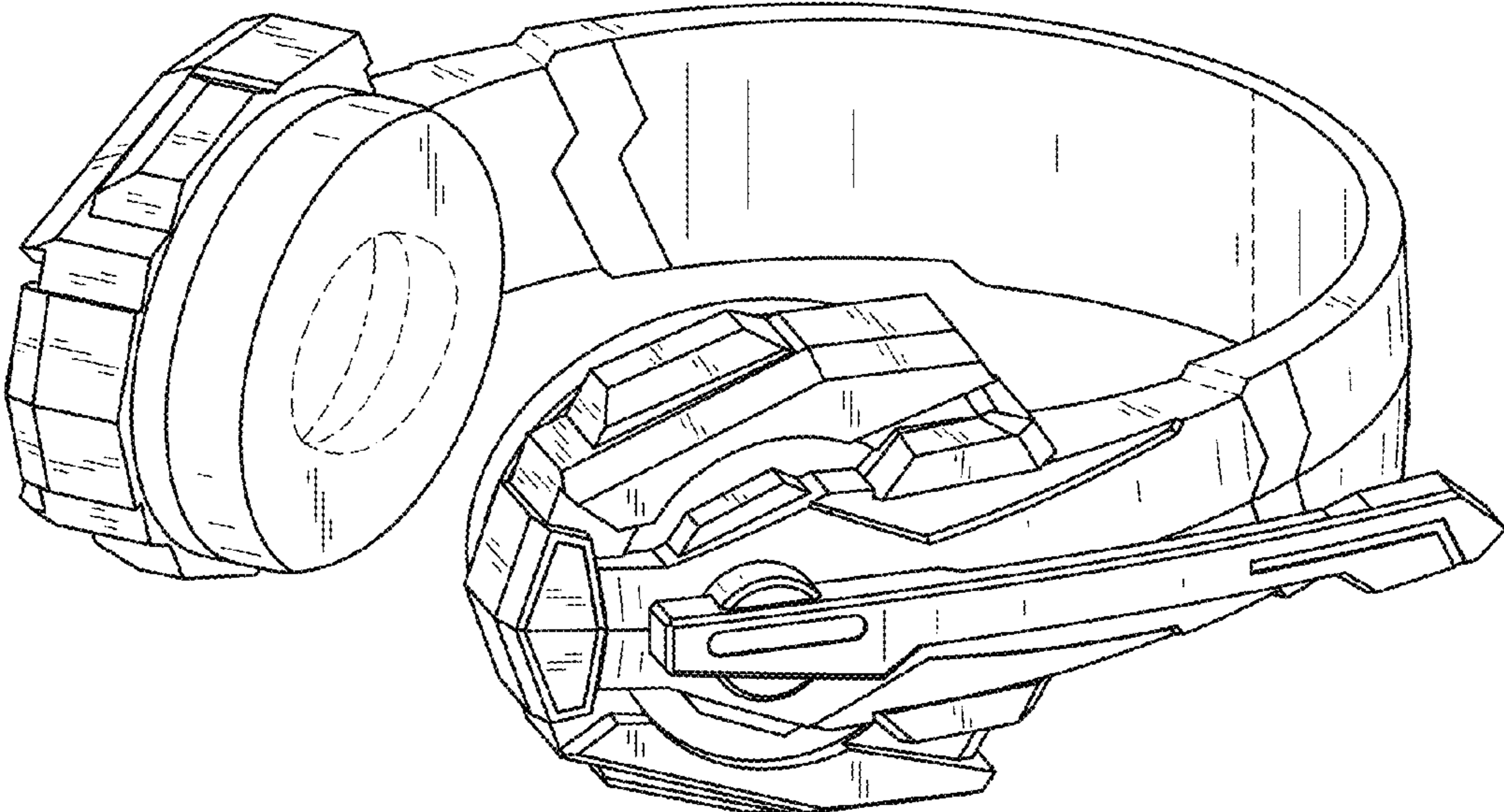


FIG. 1

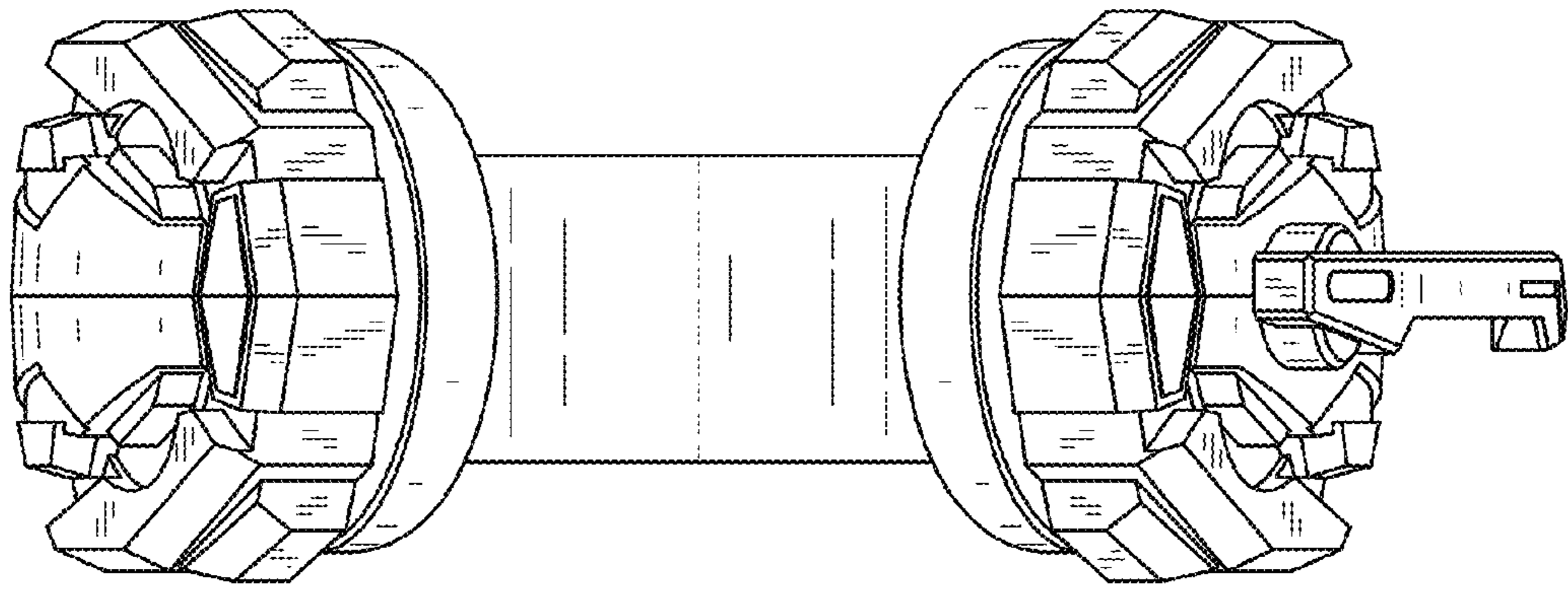


FIG. 2

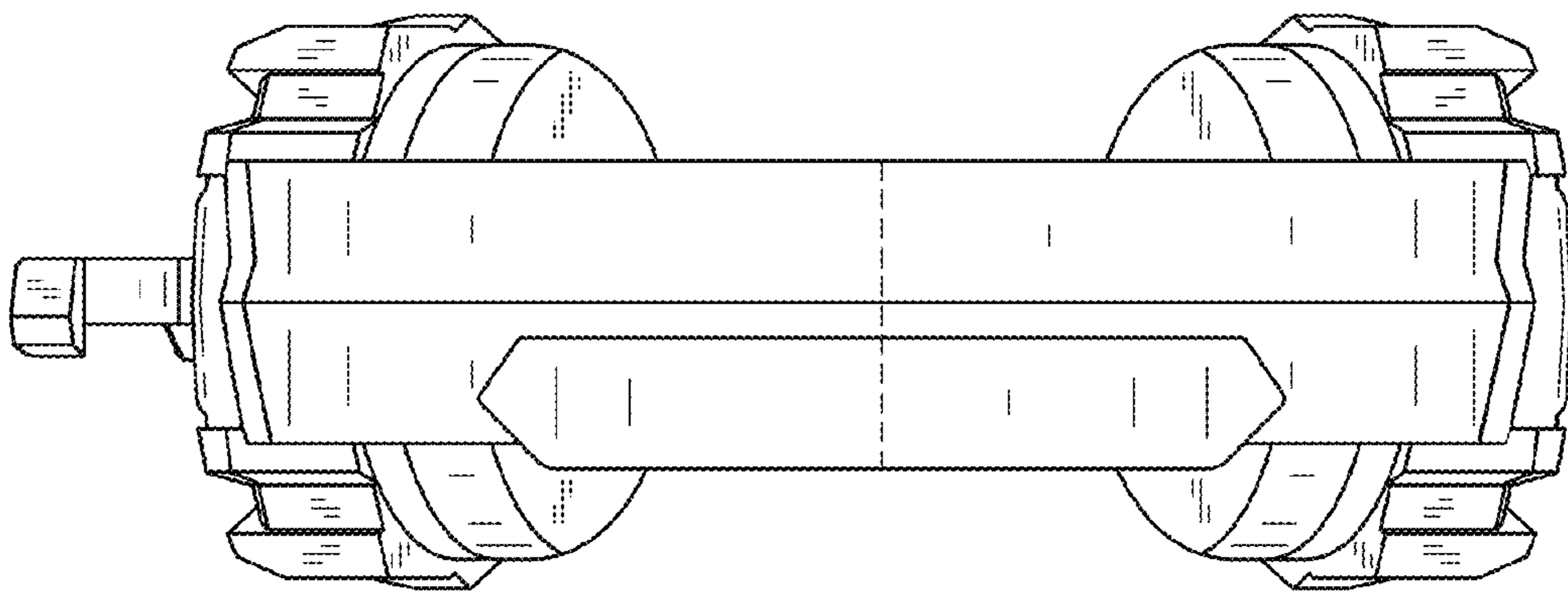


FIG. 3

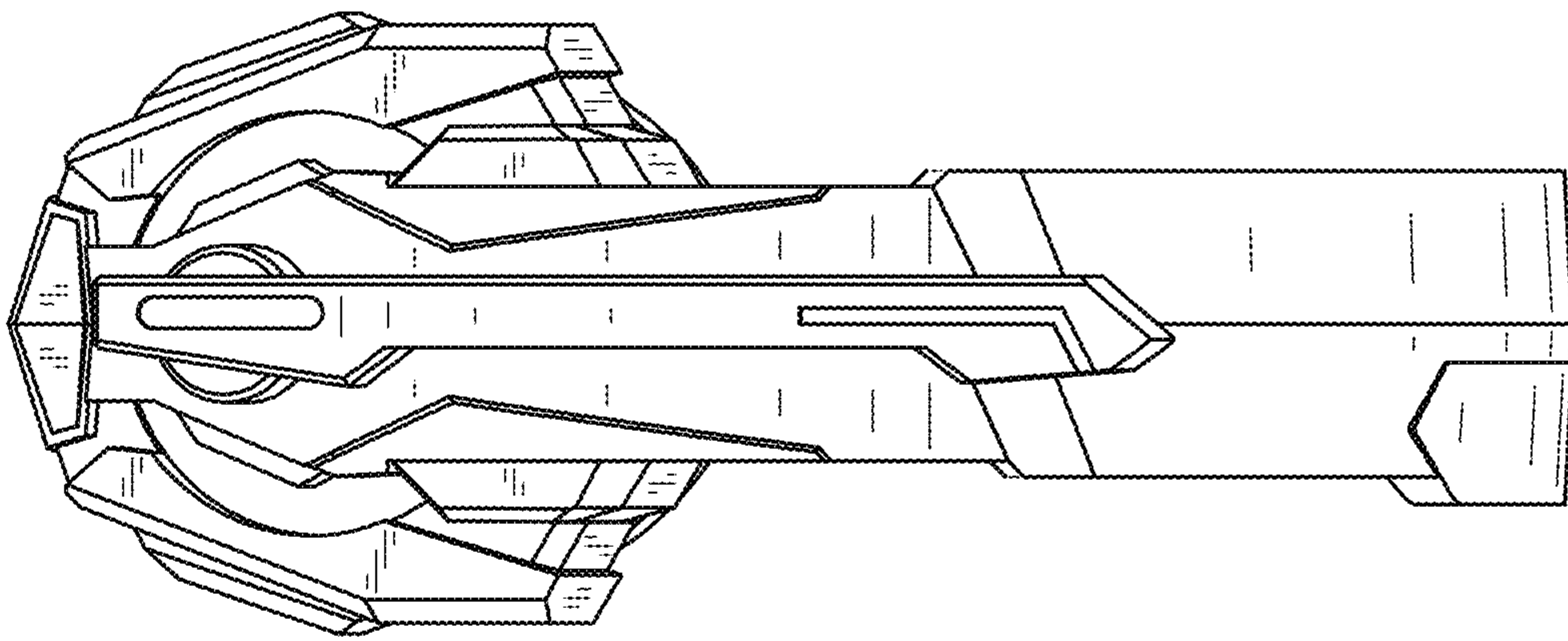


FIG. 4

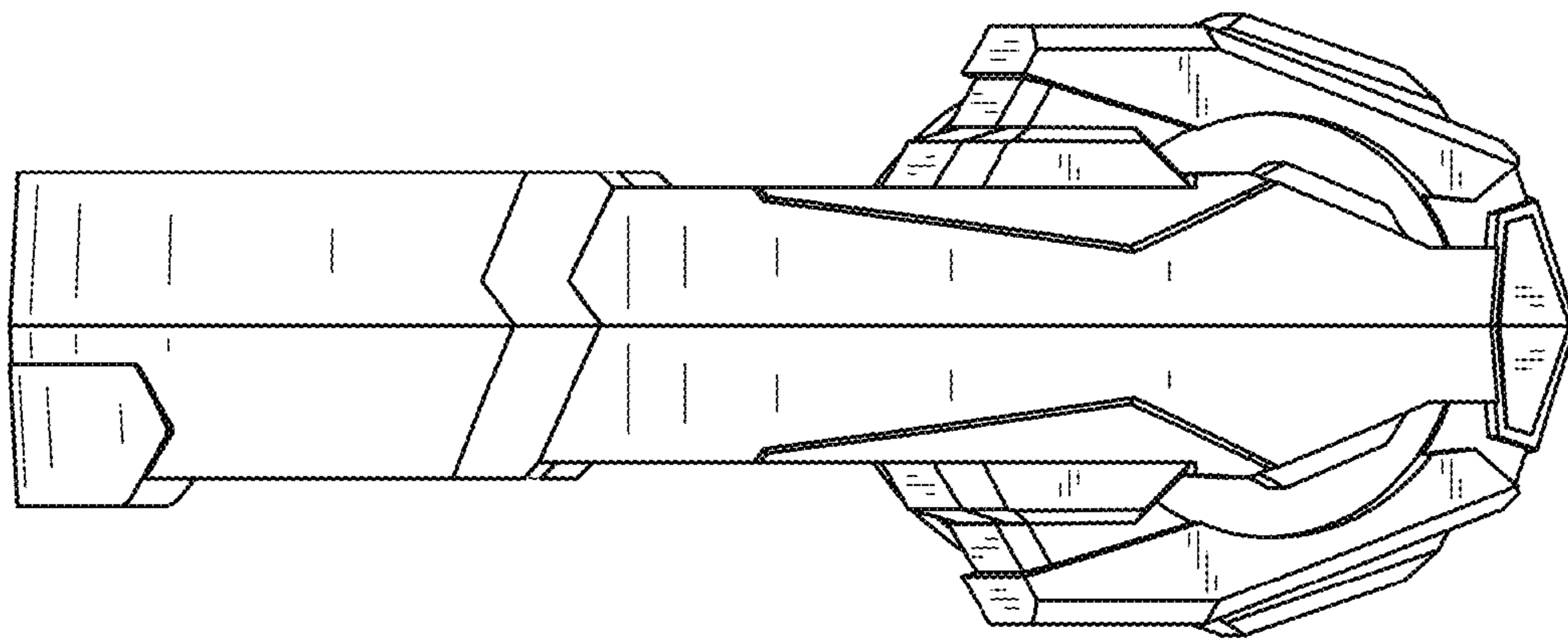


FIG. 5

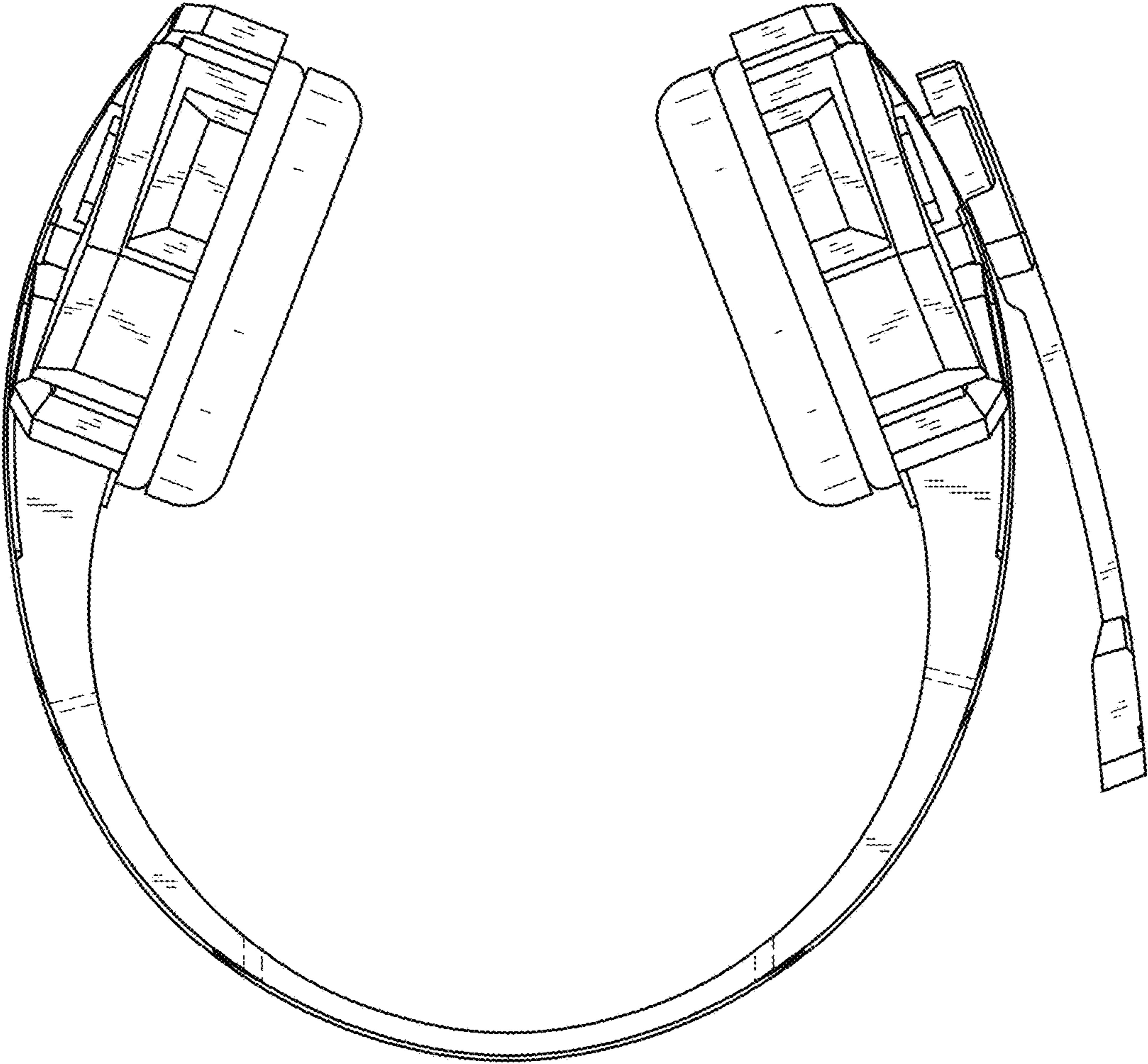


FIG. 6

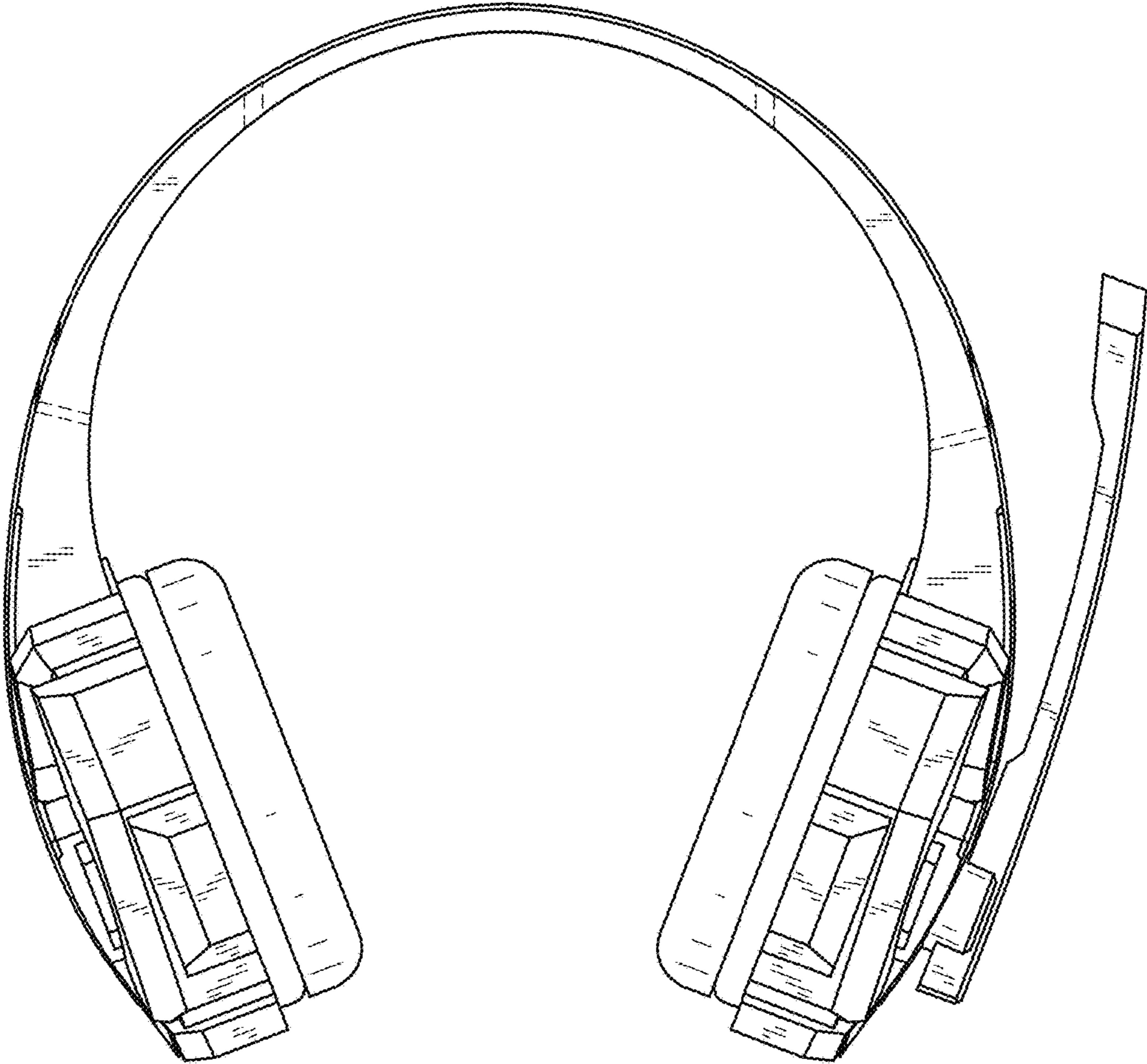


FIG. 7