



US00D856963S

(12) **United States Design Patent**  
**Pineau**

(10) **Patent No.:** **US D856,963 S**

(45) **Date of Patent:** **\*\* Aug. 20, 2019**

(54) **SPEAKER BOX**

(71) Applicant: **FOCAL JMLAB**, La Talaudiere (FR)

(72) Inventor: **Alain Pineau**, Vitry-sur-Seine (FR)

(73) Assignee: **FOCAL JMLAB**, La Talaudiere (FR)

(\*\*) Term: **15 Years**

(21) Appl. No.: **29/623,109**

(22) Filed: **Oct. 23, 2017**

(30) **Foreign Application Priority Data**

Jun. 22, 2017 (EM) ..... 004061620-0001

(51) **LOC (12) Cl.** ..... **14-01**

(52) **U.S. Cl.**

USPC ..... **D14/204**

(58) **Field of Classification Search**

USPC ..... D14/188, 203.1, 203.3, 204, 210-216,  
D14/219, 221, 356, 363, 365-368, 496;  
181/143, 144, 148, 153, 157, 198, 199;  
369/6-12; 381/300-303, 361-364,  
381/386-388

CPC ..... H04R 1/02; H04R 1/021; H04R 1/023;  
H04R 5/00; H04R 9/06; H04R 2420/07

See application file for complete search history.

(56) **References Cited**

**U.S. PATENT DOCUMENTS**

D368,710 S \* 4/1996 Althans ..... D14/128

D377,175 S \* 1/1997 Boyd ..... D14/211

D385,880 S \* 11/1997 Oba ..... D14/164

D431,815 S \* 10/2000 Masui ..... D14/214

D486,474 S \* 2/2004 Allen ..... D14/215

D518,025 S \* 3/2006 Omori ..... D14/211

D580,411 S \* 11/2008 Omori ..... D14/215

D633,081 S \* 2/2011 Medas ..... D14/214

\* cited by examiner

*Primary Examiner* — Derrick E Holland

*Assistant Examiner* — Janice Patyk

(74) *Attorney, Agent, or Firm* — Burr & Brown, PLLC

(57) **CLAIM**

The ornamental design for a speaker box, as shown and described.

**DESCRIPTION**

FIG. 1 is a front view of a speaker box, showing my new design;

FIG. 2 is a rear view thereof;

FIG. 3 is a right side view thereof;

FIG. 4 is a left side view thereof;

FIG. 5 is a top view thereof, shown in enlarged scale;

FIG. 6 is a bottom view thereof, shown in enlarged scale;

and,

FIG. 7 is a front perspective view thereof.

The broken lines in the figures illustrate the portions of the design that form no part of the claimed design.

**1 Claim, 7 Drawing Sheets**

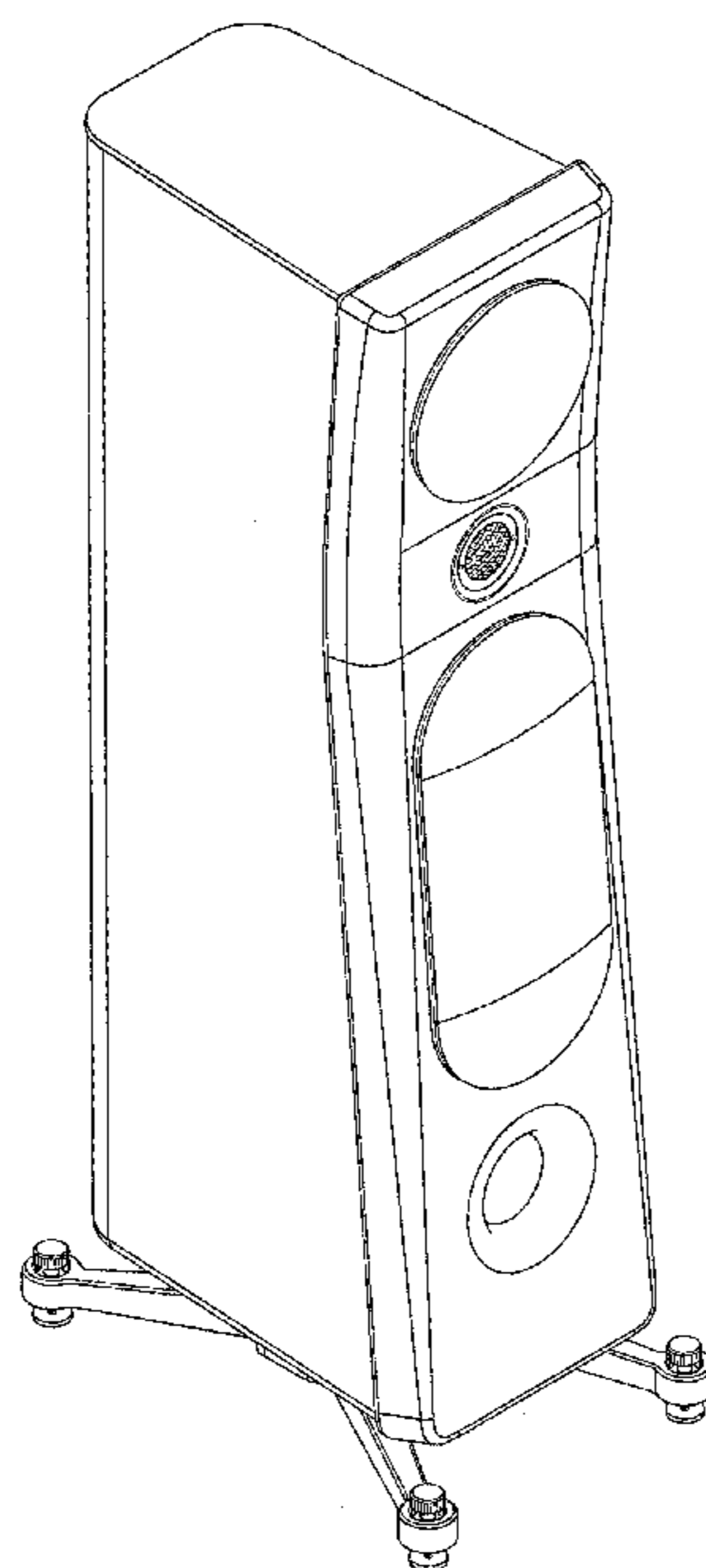


FIG. 1

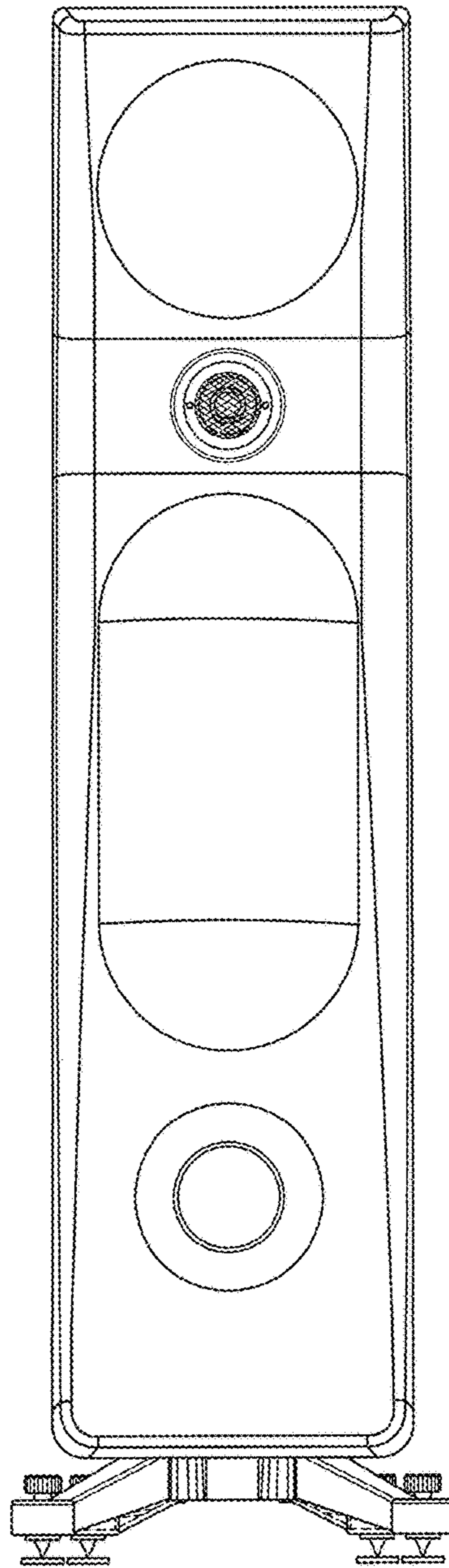


FIG. 2

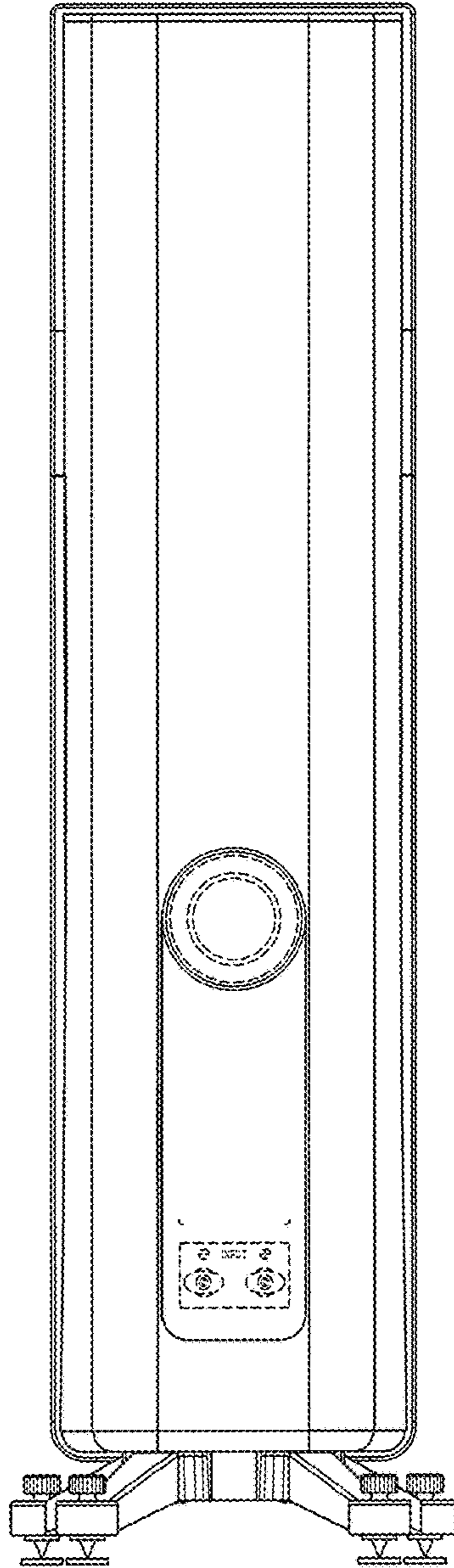


FIG. 3

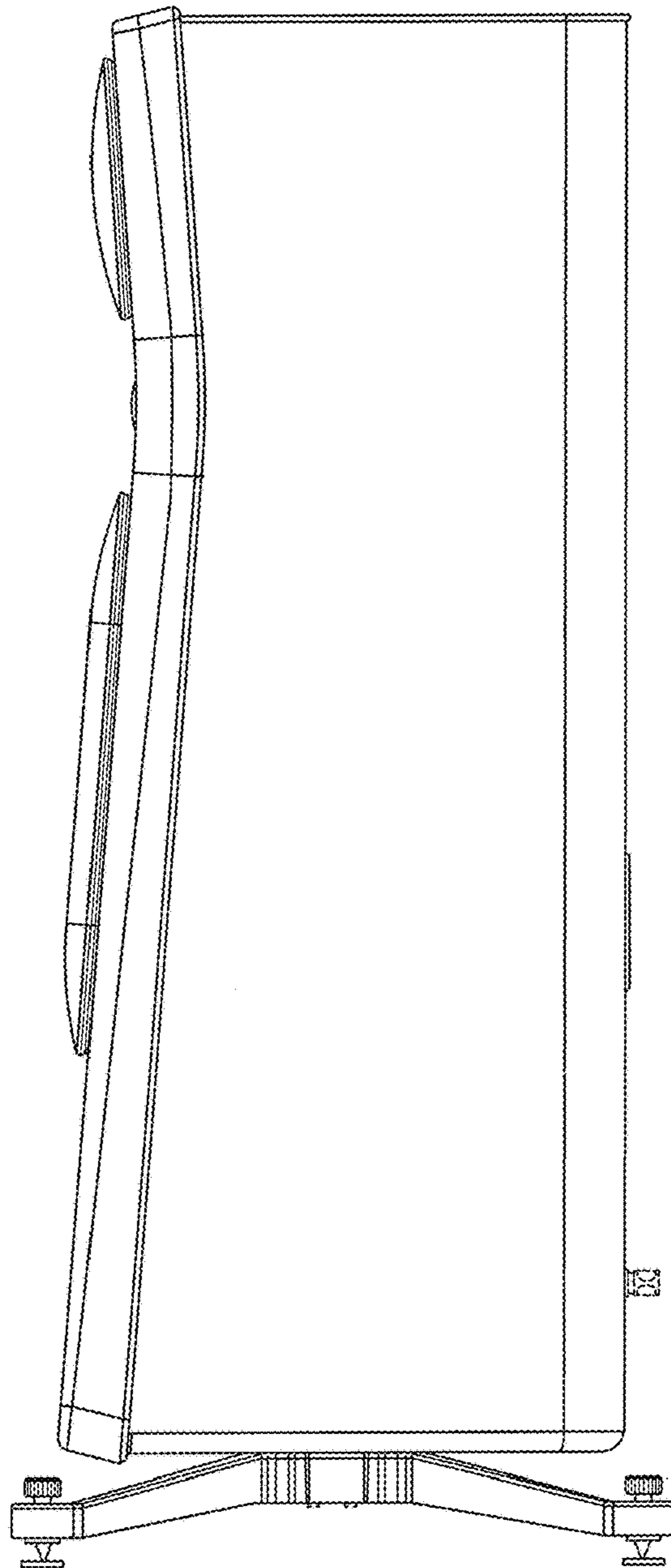


FIG. 4

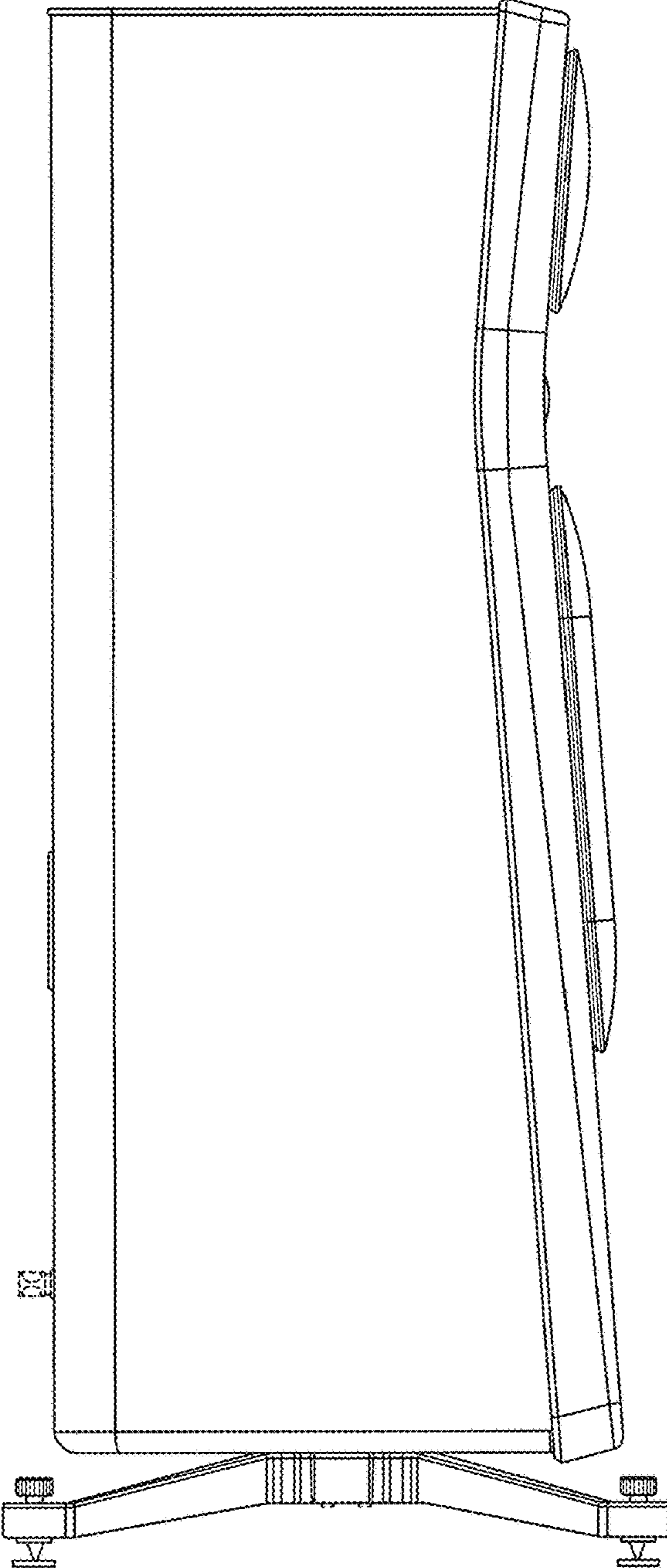




FIG. 5

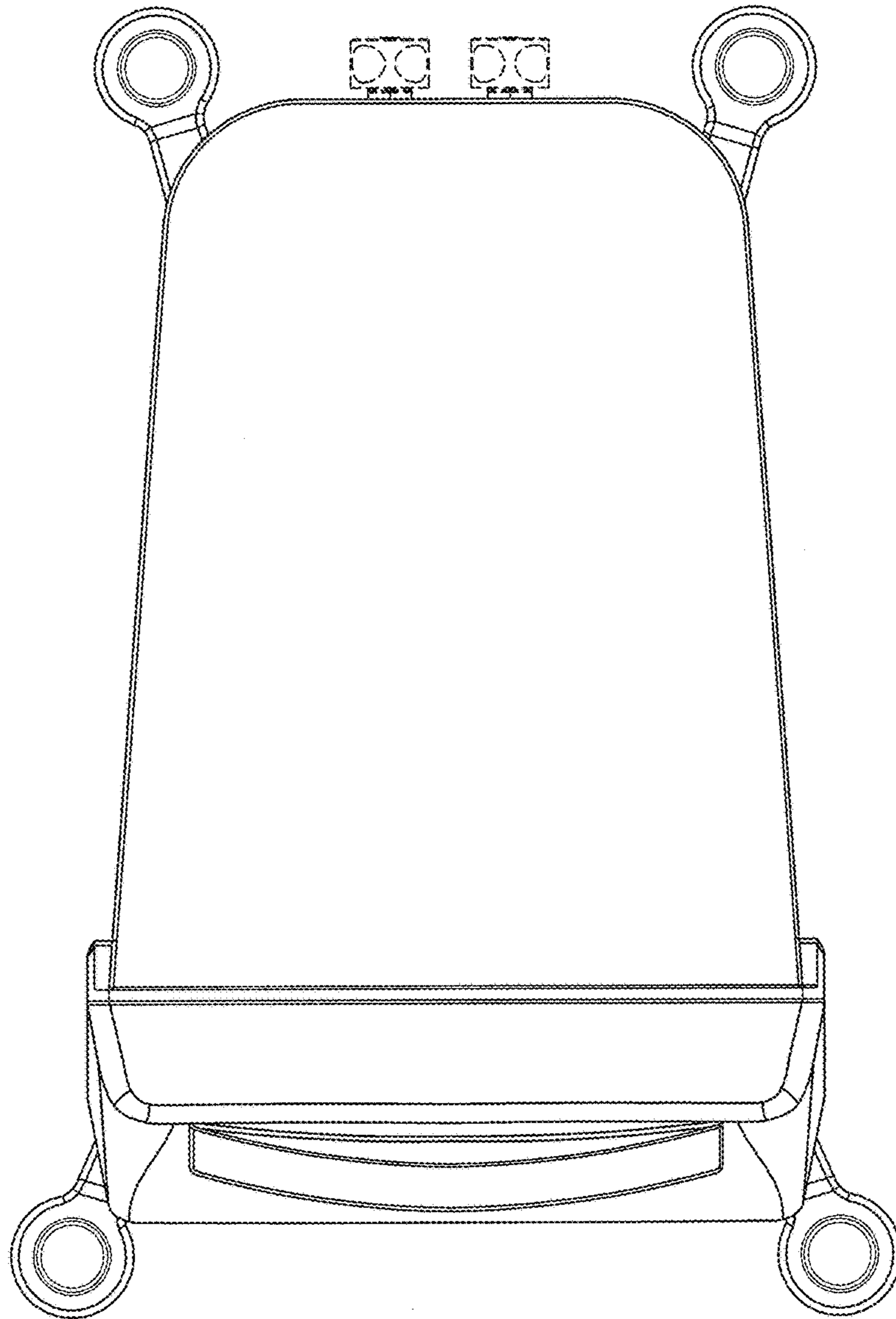


FIG. 6

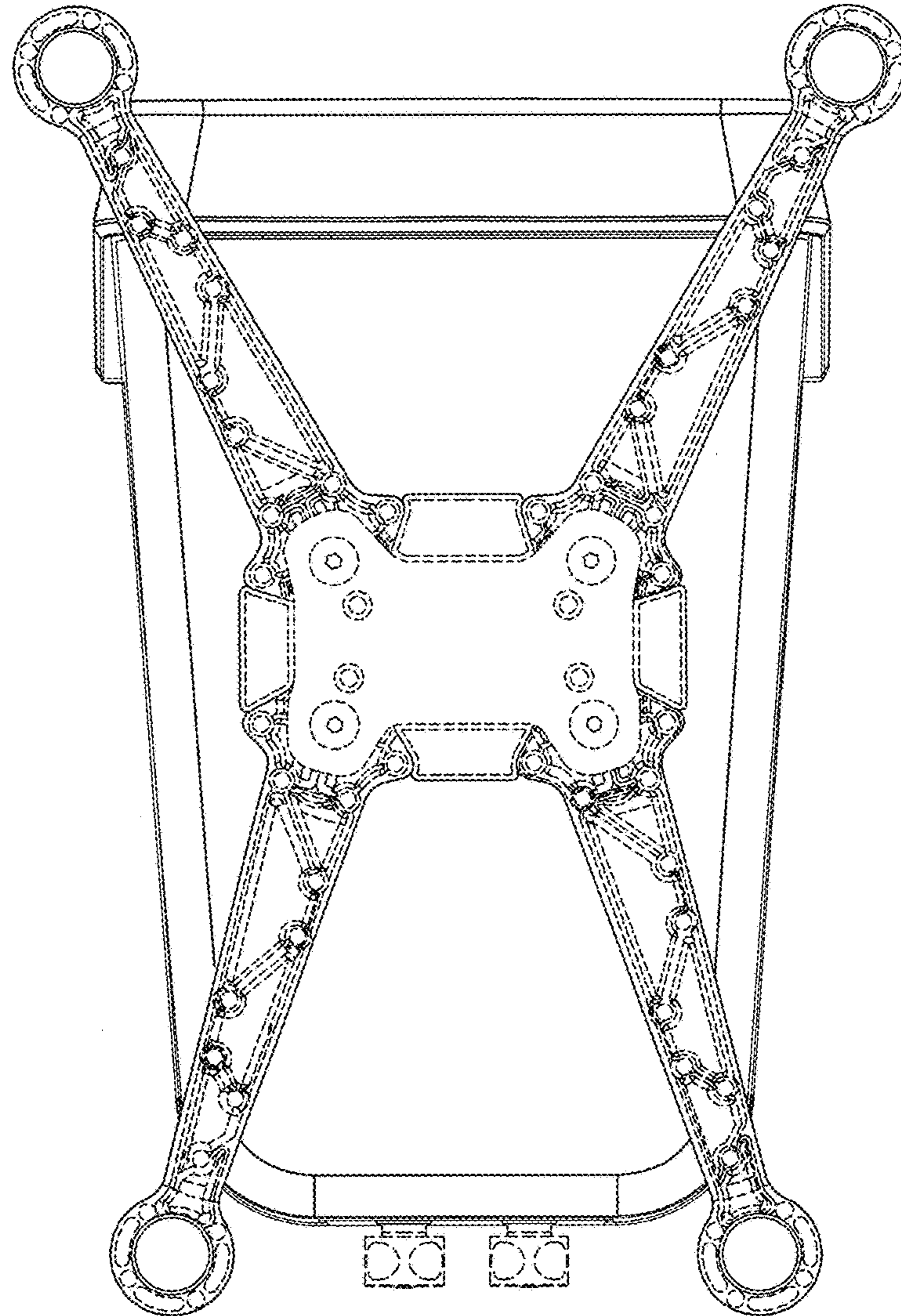


FIG. 7

