



US00D856956S

(12) **United States Design Patent**
Liu

(10) **Patent No.:** **US D856,956 S**

(45) **Date of Patent:** **** Aug. 20, 2019**

(54) **COMBINED MOBILE PHONE AND OUTER COVER**

(71) Applicant: **Sonim Technologies, Inc.**, San Mateo, CA (US)

(72) Inventor: **Zhenpeng Liu**, Beijing (CN)

(73) Assignee: **Sonim Technologies, Inc.**, San Mateo, CA (US)

(**) Term: **15 Years**

(21) Appl. No.: **29/603,128**

(22) Filed: **May 6, 2017**

(51) **LOC (12) Cl.** **14-03**

(52) **U.S. Cl.**

USPC **D14/138 R; D14/250**

(58) **Field of Classification Search**

USPC D14/137, 138 AA, 138 AB, 138 R, 147, D14/148, 203.7, 250, 496, 191, 159, 218, D14/299, 248, 341, 343, 203.1, 203.3; D10/106.1, 65, 104.1, 70; D13/107; D24/186; D21/133, 324, 329
CPC H04B 1/3827; H04B 1/3833; H04B 2001/3861; H04M 1/03; H04M 1/035; H04M 1/026; H04M 1/02; H04M 1/0279; H04M 1/0266; G08B 21/0202; G06F 1/1626

See application file for complete search history.

(56) **References Cited**

U.S. PATENT DOCUMENTS

D675,205 S * 1/2013 Hofer D14/138 G
D711,362 S * 8/2014 Poon D14/250
D786,192 S * 5/2017 Liu D13/107

(Continued)

OTHER PUBLICATIONS

BLU Tank Xtreme 4.0, Jan. 2017, [online], [site visited Dec. 19, 2018]. Retrieved from url:https://www.gsmarena.com/blu_tank_xtreme_4_0-pictures-8525.php (Year: 2017).*

BLU Tank Xtreme Pro, Jul. 2017, [online], [site visited Dec. 19, 2018]. Retrieved from url:https://www.gsmarena.com/blu_tank_xtreme_pro-pictures-8736.php (Year: 2017).*

(Continued)

Primary Examiner — Jeffrey D Asch

Assistant Examiner — Tracey J Bell

(74) *Attorney, Agent, or Firm* — Rahman LLC

(57) **CLAIM**

The ornamental design for a combined mobile phone and outer cover, as shown and described.

DESCRIPTION

FIG. 1 is a front view of a combined mobile phone and outer cover;

FIG. 2 is a front-side perspective view of the combined mobile phone and outer cover of the FIG. 1;

FIG. 3 is a rear view of the combined mobile phone and outer cover of the FIG. 1;

FIG. 4 is a rear-side perspective view of the combined mobile phone and outer cover of the FIG. 1;

FIG. 5 is an exploded view of the combined mobile phone and outer cover of the FIG. 1, with the bottom cap removed showing the mobile phone within the cover;

FIG. 6 is an exploded perspective view of the combined mobile phone and outer cover of the FIG. 1, with the bottom cap removed showing the mobile phone within the cover;

FIG. 7 is a left-side view of the combined mobile phone and outer cover of the FIG. 1;

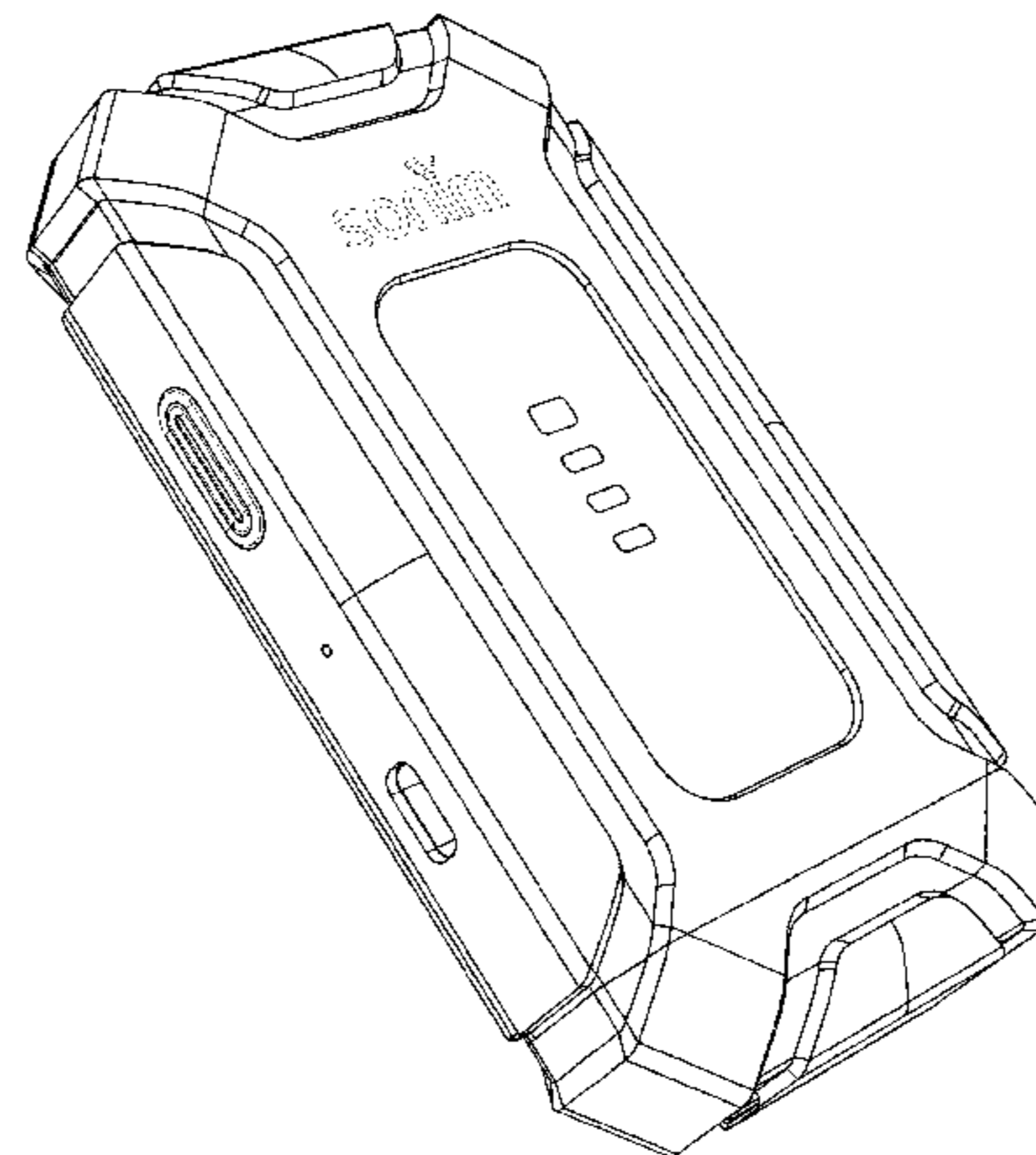
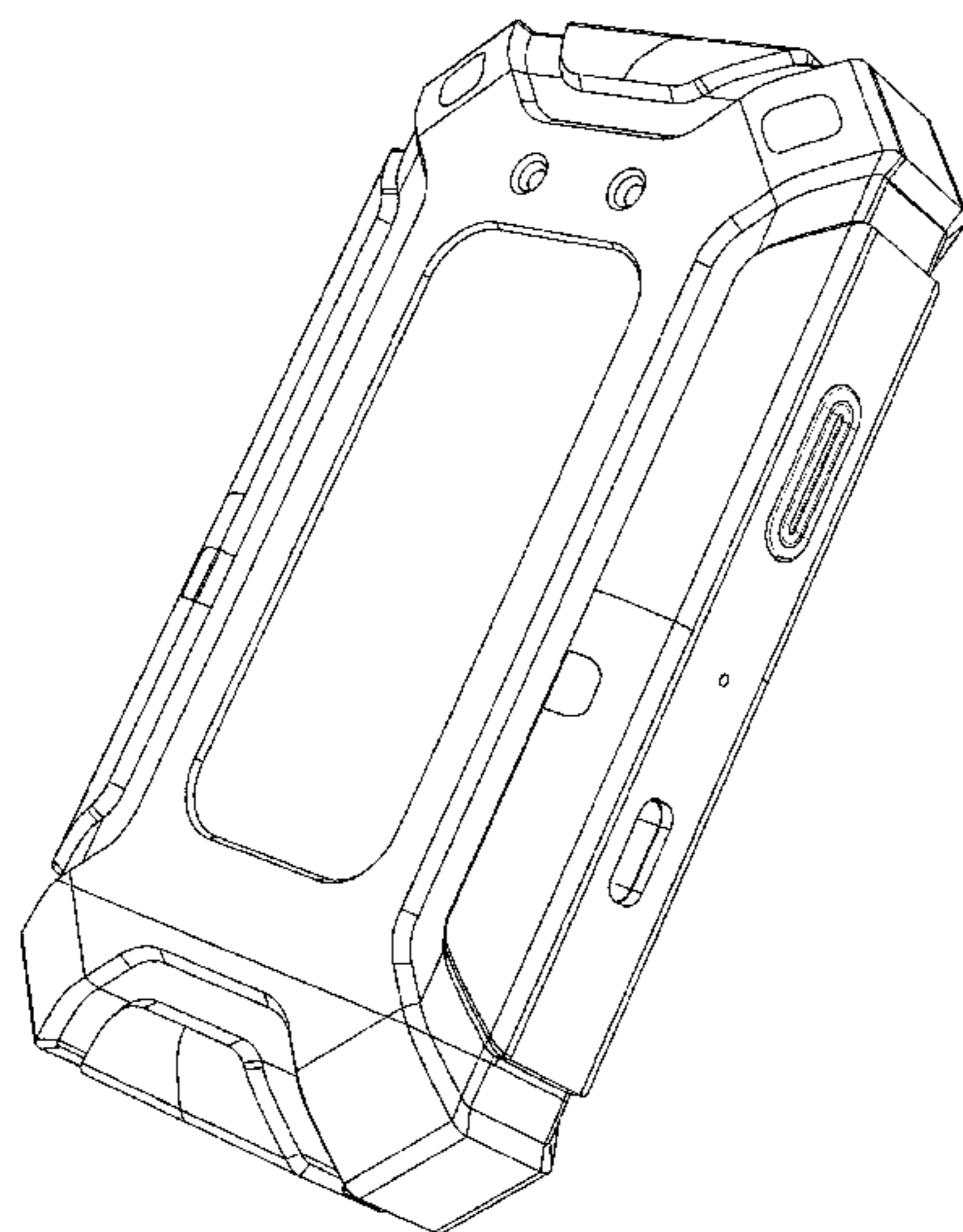
FIG. 8 is a right-side view of the combined mobile phone and outer cover of the FIG. 1;

FIG. 9 is a top plan view of the combined mobile phone and outer cover of the FIG. 1; and,

FIG. 10 is a bottom plan view of the combined mobile phone and outer cover of the FIG. 1.

The broken lines shown in the figures are for illustrative purposes only and form no part of the claimed design.

1 Claim, 10 Drawing Sheets



(56)

References Cited

U.S. PATENT DOCUMENTS

D794,625 S * 8/2017 Armstrong D14/250
D797,695 S * 9/2017 Yoshihara D14/138 G
D802,551 S * 11/2017 Hunt D14/138 G
D808,371 S * 1/2018 Kim D14/250
D808,918 S * 1/2018 Wei D14/138 G
2018/0191881 A1* 7/2018 Panosian H04M 1/0279
2018/0212447 A1* 7/2018 Tabata H02J 7/00
2018/0224896 A1* 8/2018 Shindo G06F 1/16

OTHER PUBLICATIONS

Apple iPhone XR Case VitaCase, no date available, [site visited Dec. 19, 2018]. Retrieved from url:<https://coveroncase.com/shop/apple-iphone-xr-6-1-case-vitacase-protective-full-body-heavy-duty-phone-cover/> (Year: 2018).*

* cited by examiner

FIG. 1

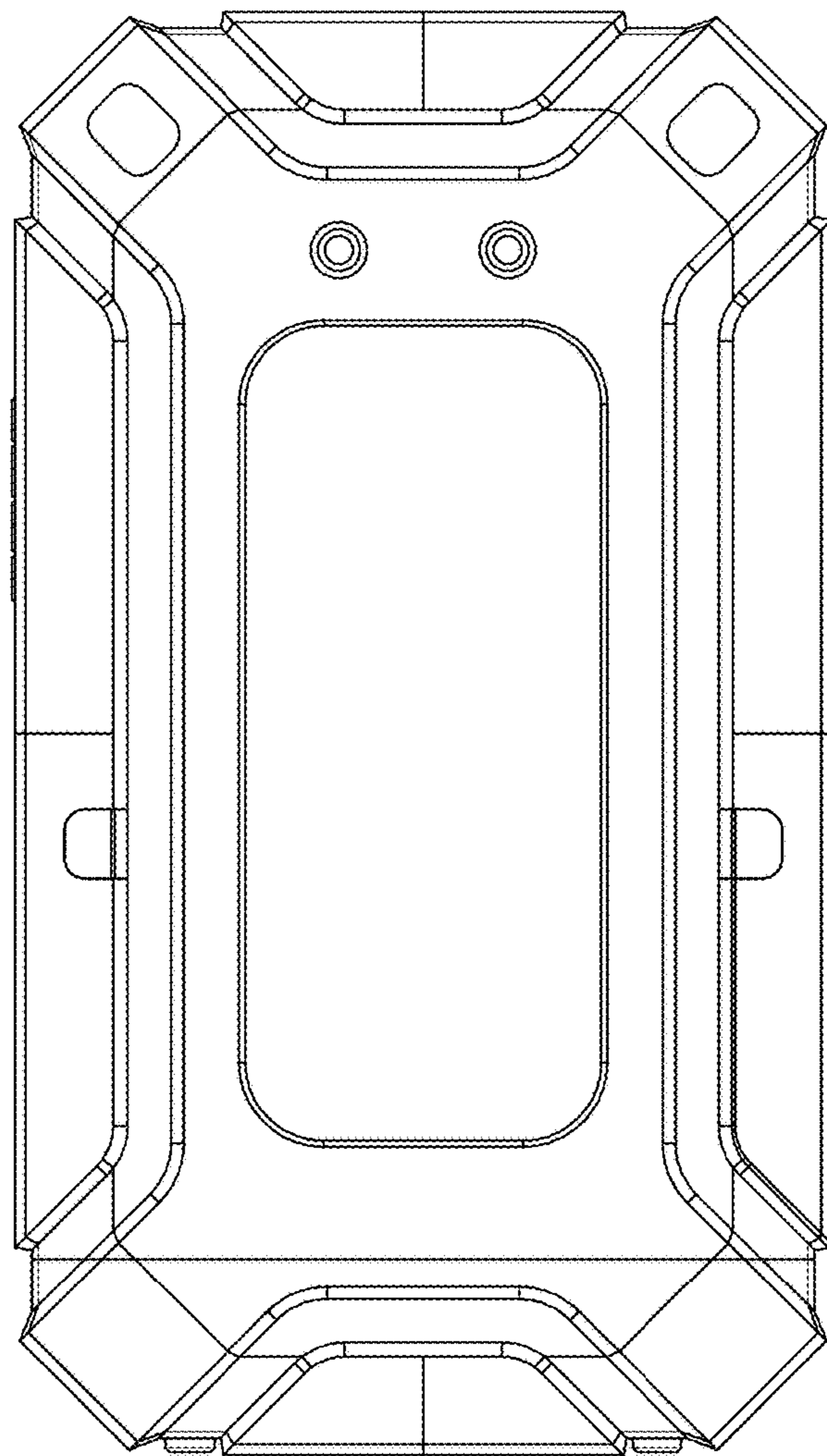


FIG. 2

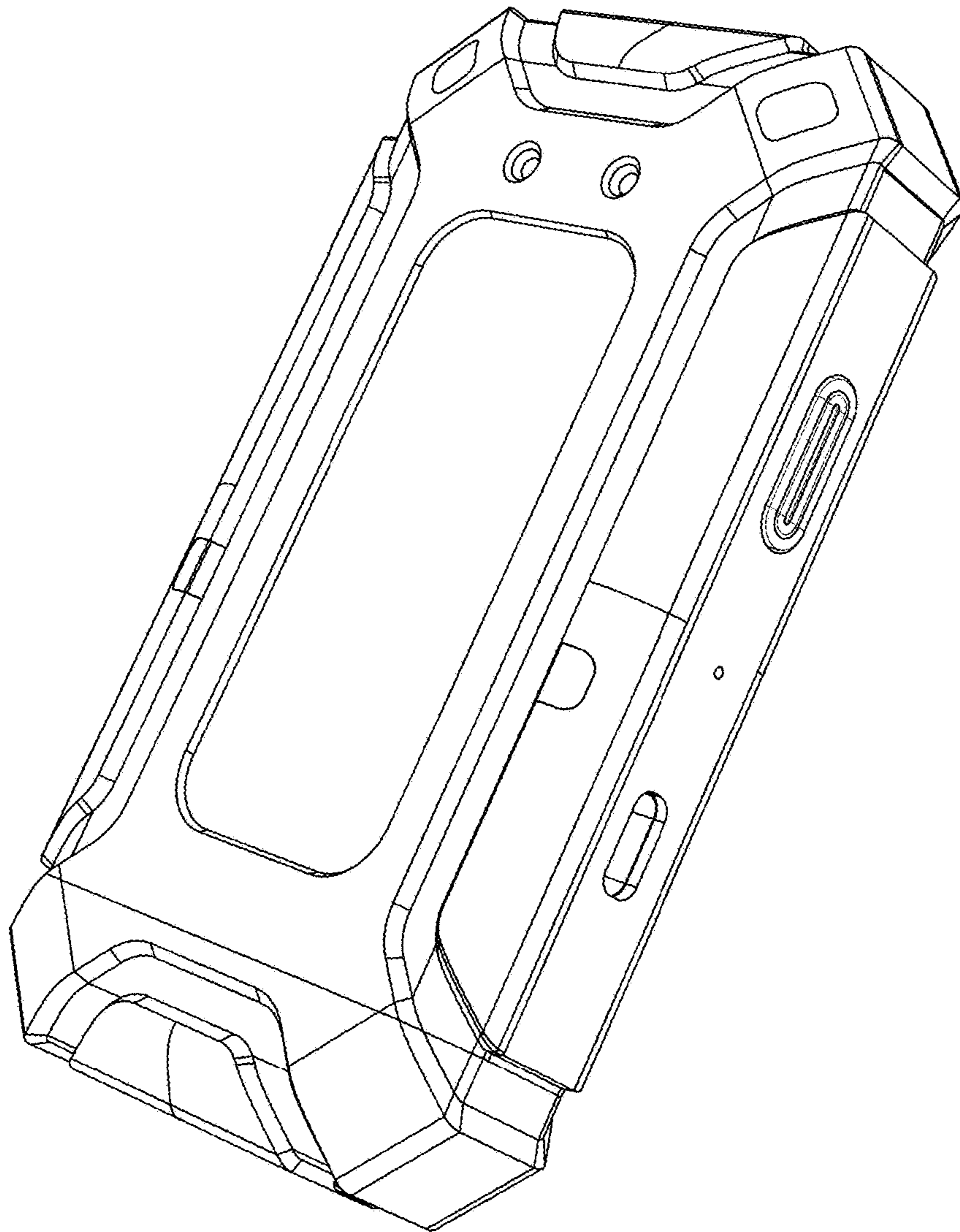


FIG. 3

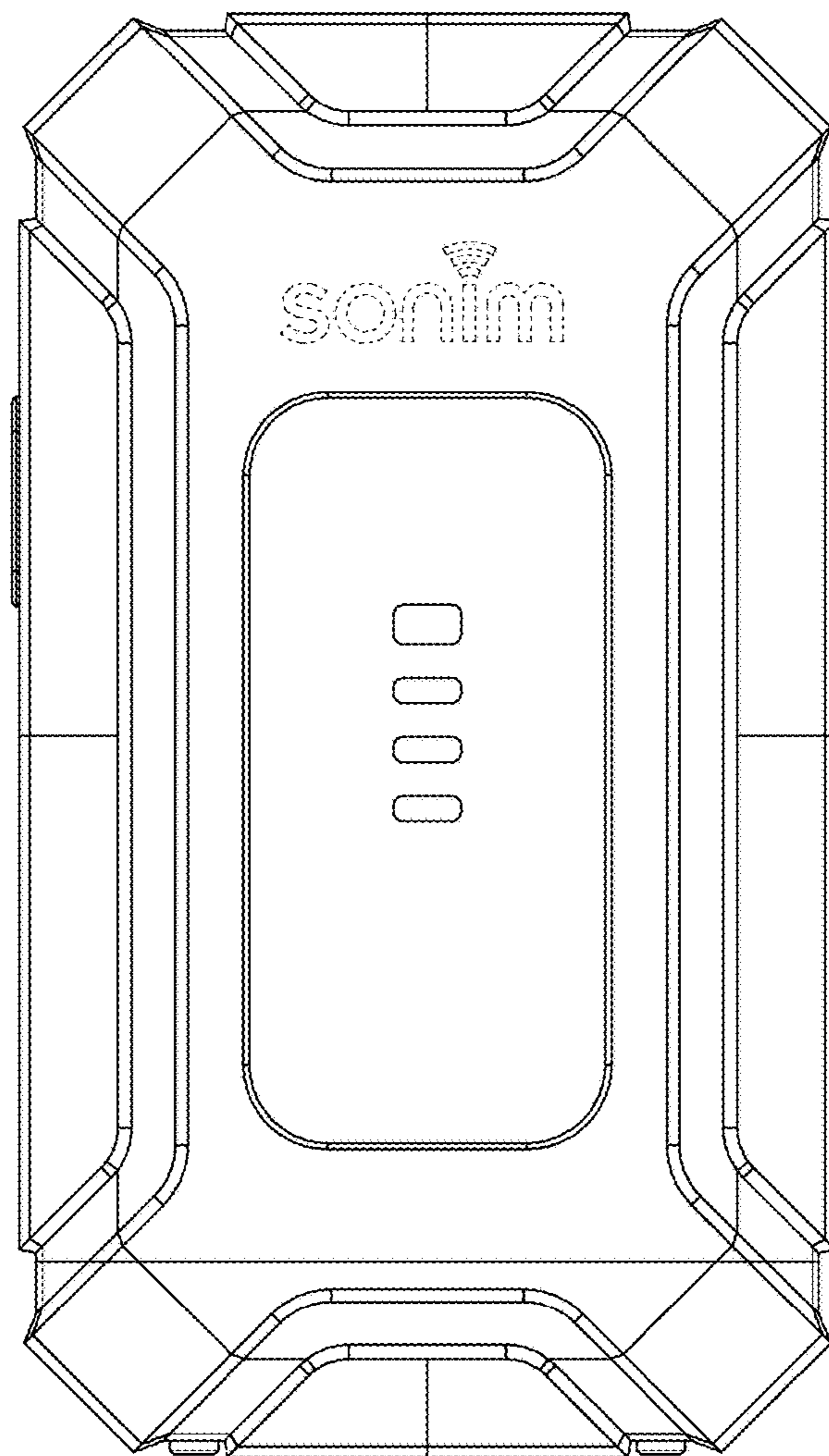


FIG. 4

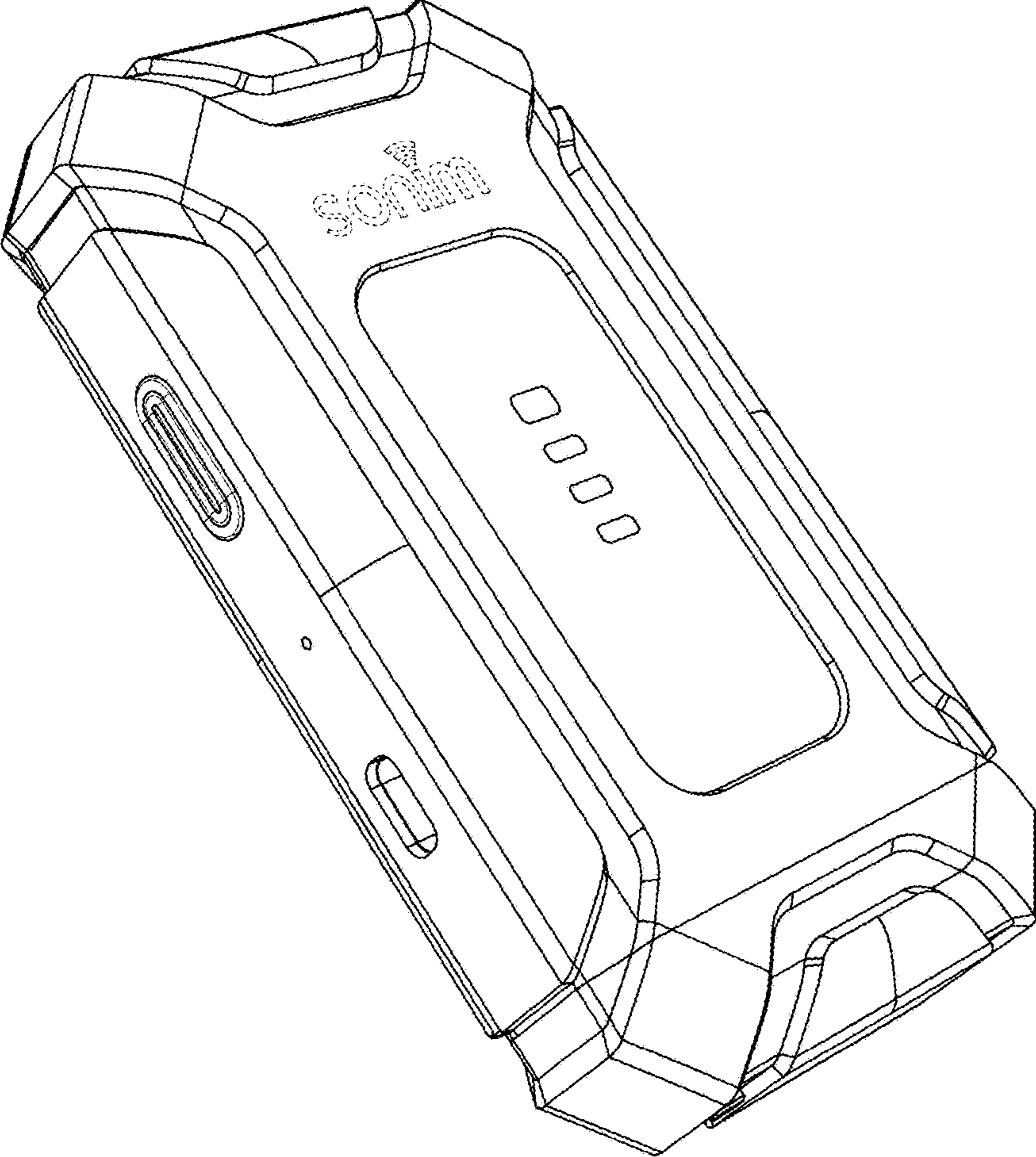


FIG. 5

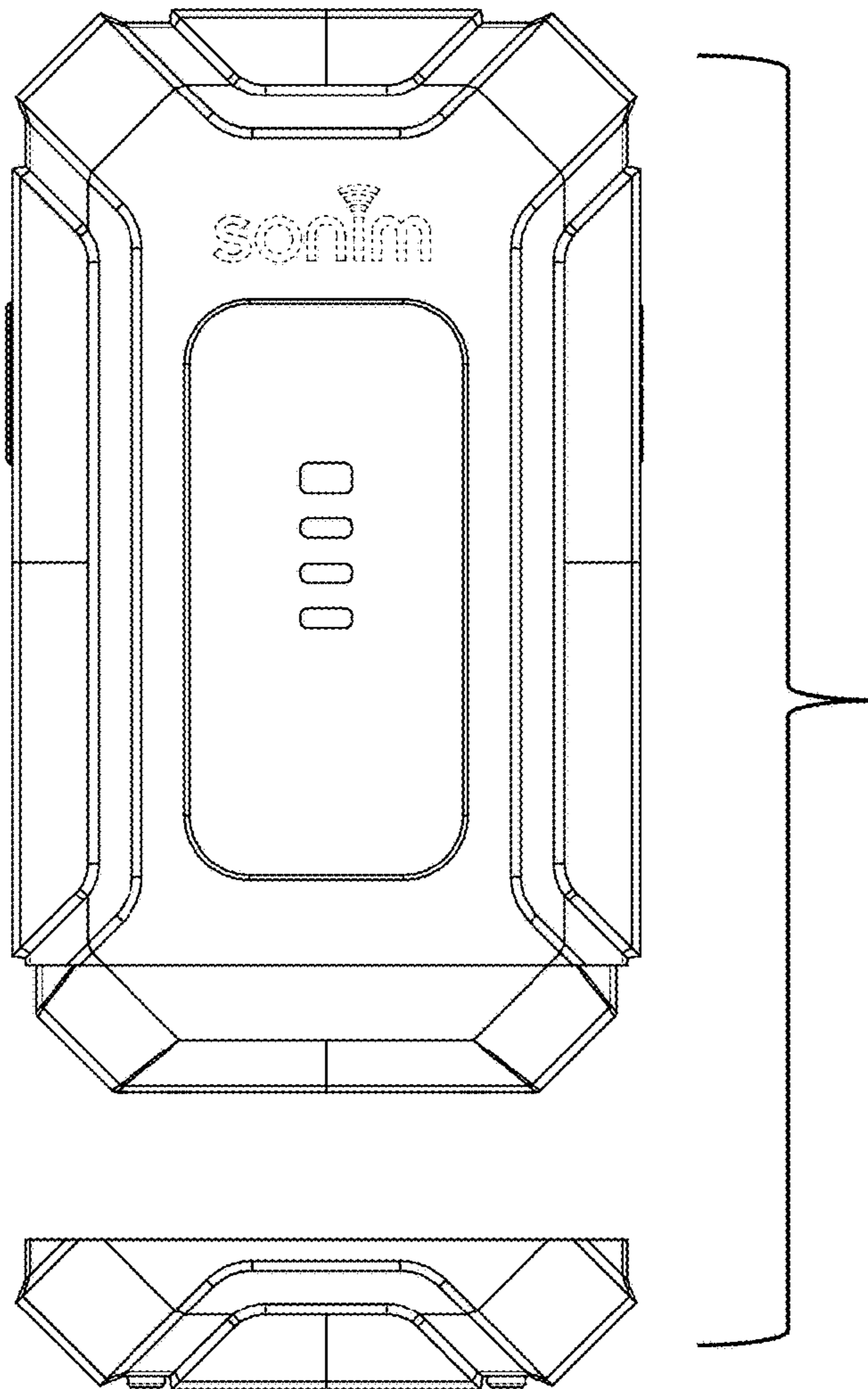


FIG. 6

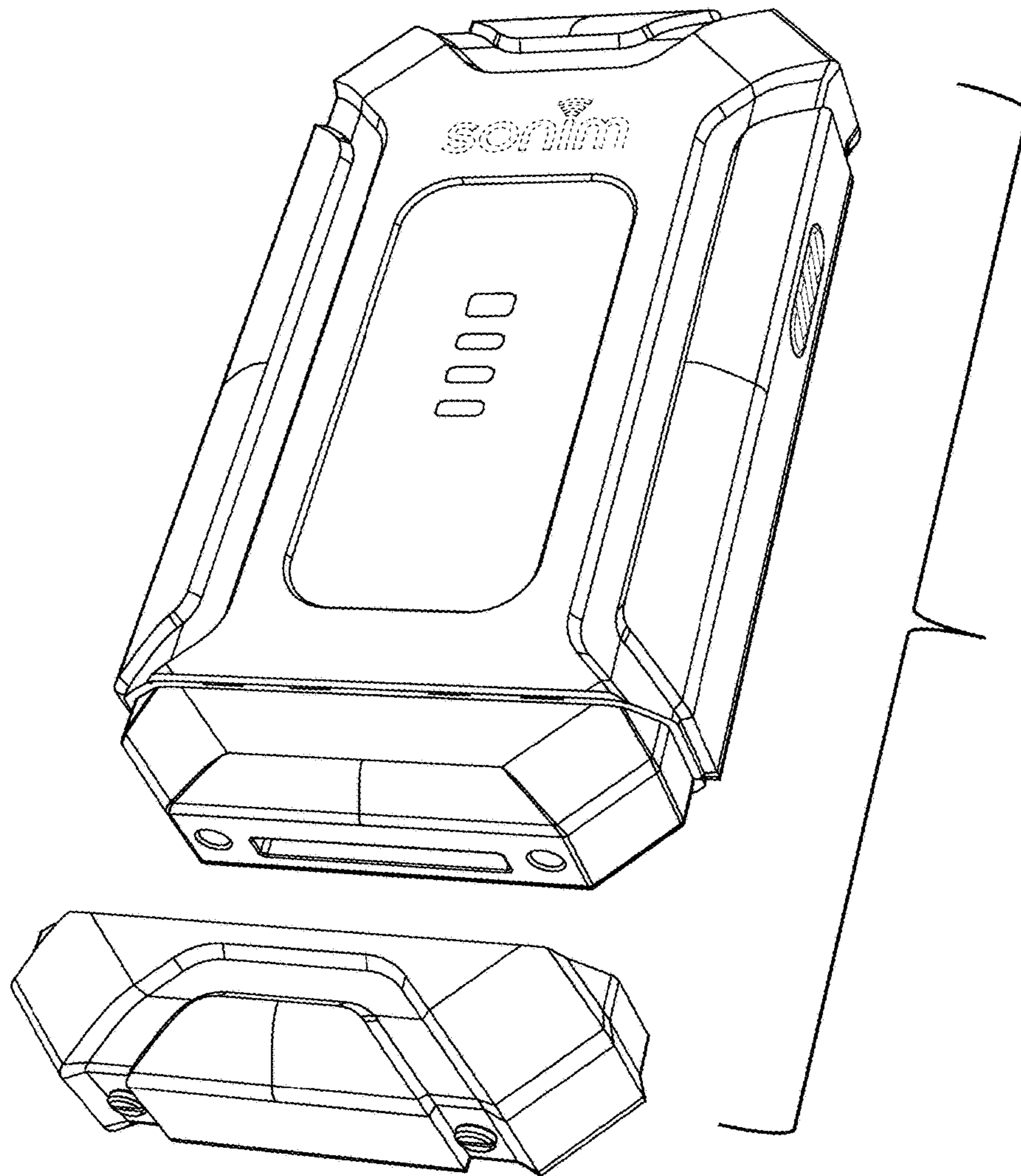


FIG. 7

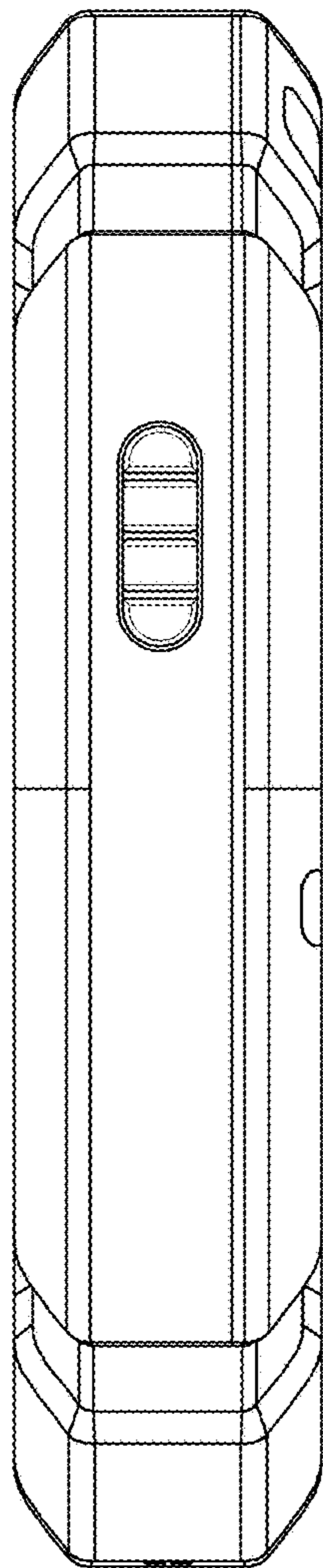


FIG. 8

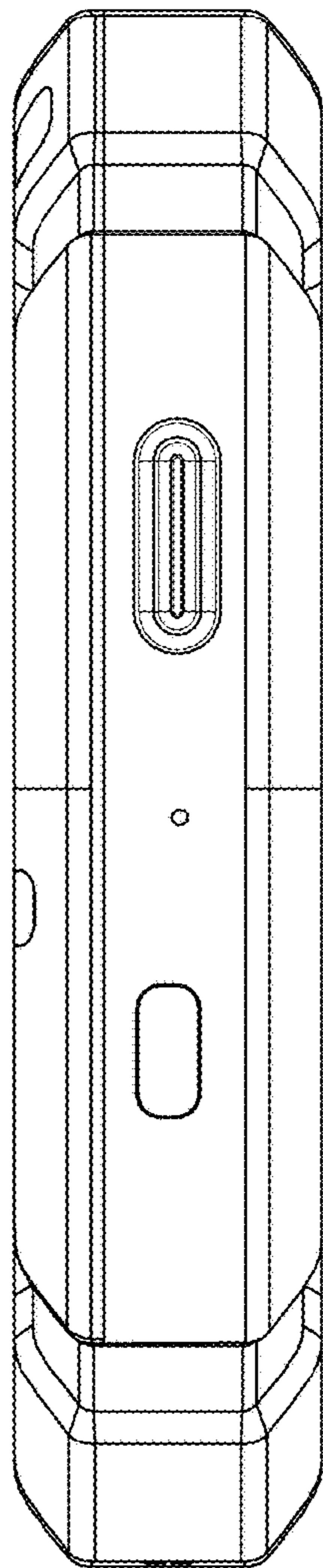


FIG. 9

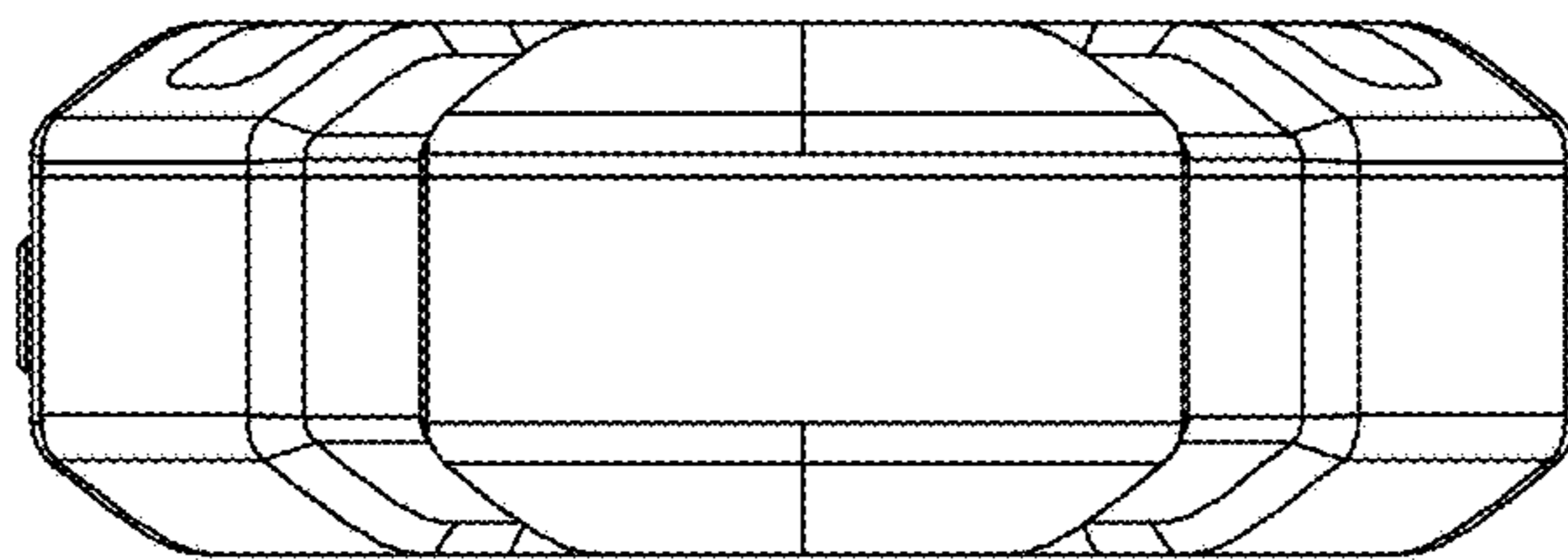


FIG. 10

