



US00D856954S

(12) **United States Design Patent**  
**Chen et al.**

(10) **Patent No.:** **US D856,954 S**

(45) **Date of Patent:** **\*\* Aug. 20, 2019**

(54) **INTEGRATED DISPLAY TERMINAL DEVICE**

(71) Applicant: **QBIC TECHNOLOGY CO., LTD.**,  
New Taipei (TW)

(72) Inventors: **Yi-Hsin Chen**, New Taipei (TW);  
**Chun-Chih Chen**, New Taipei (TW);  
**Ren-Yin Wu Ji**, New Taipei (TW)

(73) Assignee: **QBIC TECHNOLOGY CO., LTD.**,  
New Taipei (TW)

(\*\*) Term: **15 Years**

(21) Appl. No.: **29/655,708**

(22) Filed: **Jul. 6, 2018**

**Related U.S. Application Data**

(63) Continuation of application No. 29/646,039, filed on  
May 1, 2018.

(30) **Foreign Application Priority Data**

Feb. 26, 2018 (TW) ..... 107301087  
Jun. 7, 2018 (TW) ..... 107303228

(51) **LOC (12) Cl.** ..... **14-03**

(52) **U.S. Cl.**  
USPC ..... **D14/126**

(58) **Field of Classification Search**

USPC ..... D14/125-134, 239, 371, 136, 374-377,  
D14/440, 450, 448, 336, 159, 341-345;  
312/7.2; 348/836, 838, 180, 184, 325,  
348/739; 248/917-924, 465; 345/104,  
345/133, 156, 168, 87, 173; D21/329,  
D21/515, 577, 622, 333, 433, 448, 452,  
D21/450, 331, 505; D10/15, 26;  
446/484, 175, 356; D6/477, 479, 300,  
D6/308; D24/185; D34/14; 361/679.21;  
D19/113, 114; D20/10

CPC ... G06F 1/1601; G06F 1/1643; H05K 5/0004;  
H05K 5/0017; H05K 5/02; H05K 5/0217

See application file for complete search history.

(56) **References Cited**

U.S. PATENT DOCUMENTS

2,226,516 A \* 12/1940 Ross ..... A63B 67/14  
473/588  
D512,064 S \* 11/2005 Li ..... D14/403  
D740,264 S \* 10/2015 Kester ..... D14/126  
D768,631 S \* 10/2016 Epstein ..... D14/388  
D772,813 S \* 11/2016 Wahl ..... D13/108

OTHER PUBLICATIONS

QBIC Technology, "TD-0350" public disclosure specifications brochure, 2018, www.qbictechnology.com.

(Continued)

*Primary Examiner* — Randall H Gholson

(74) *Attorney, Agent, or Firm* — WPAT, PC

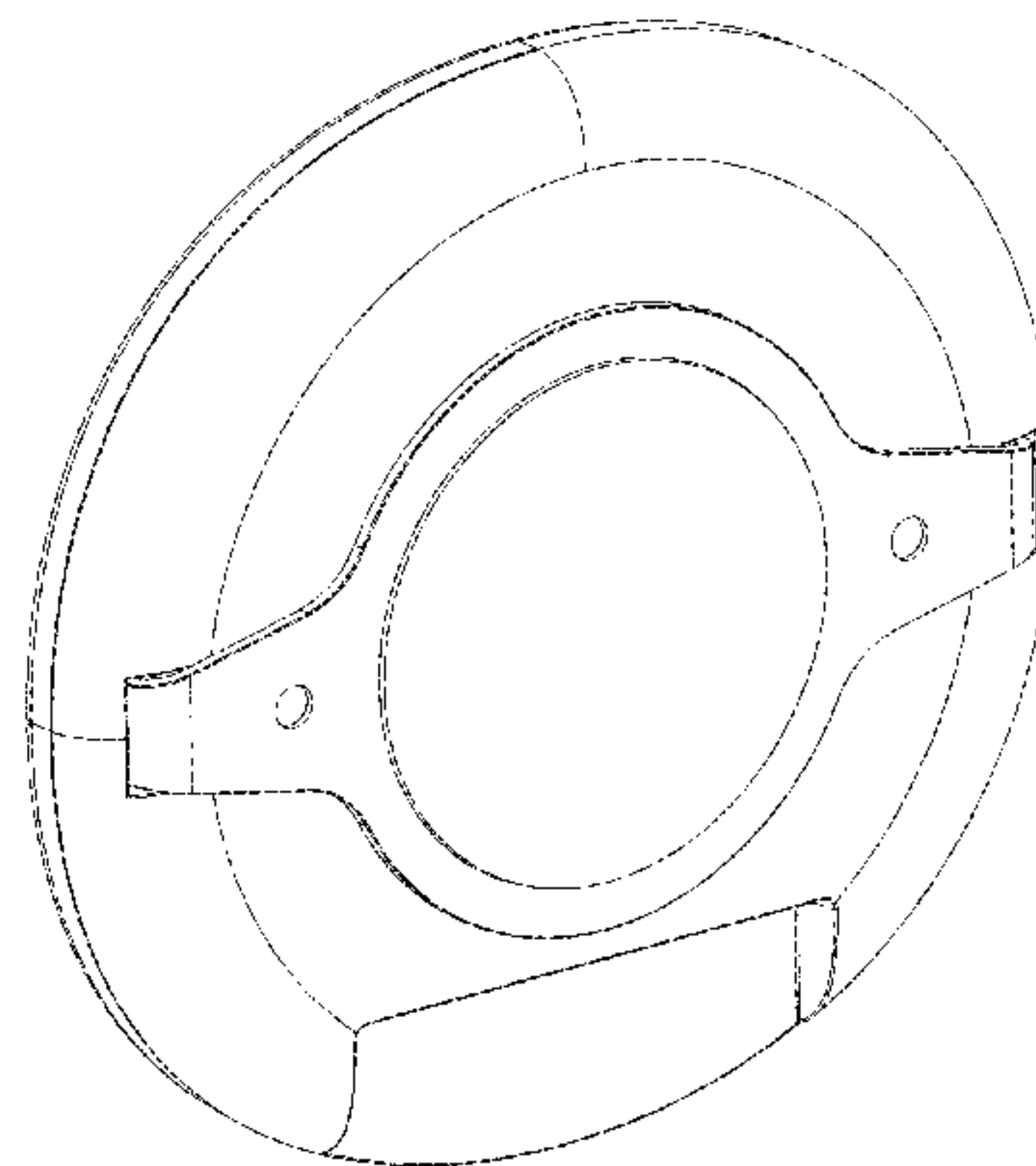
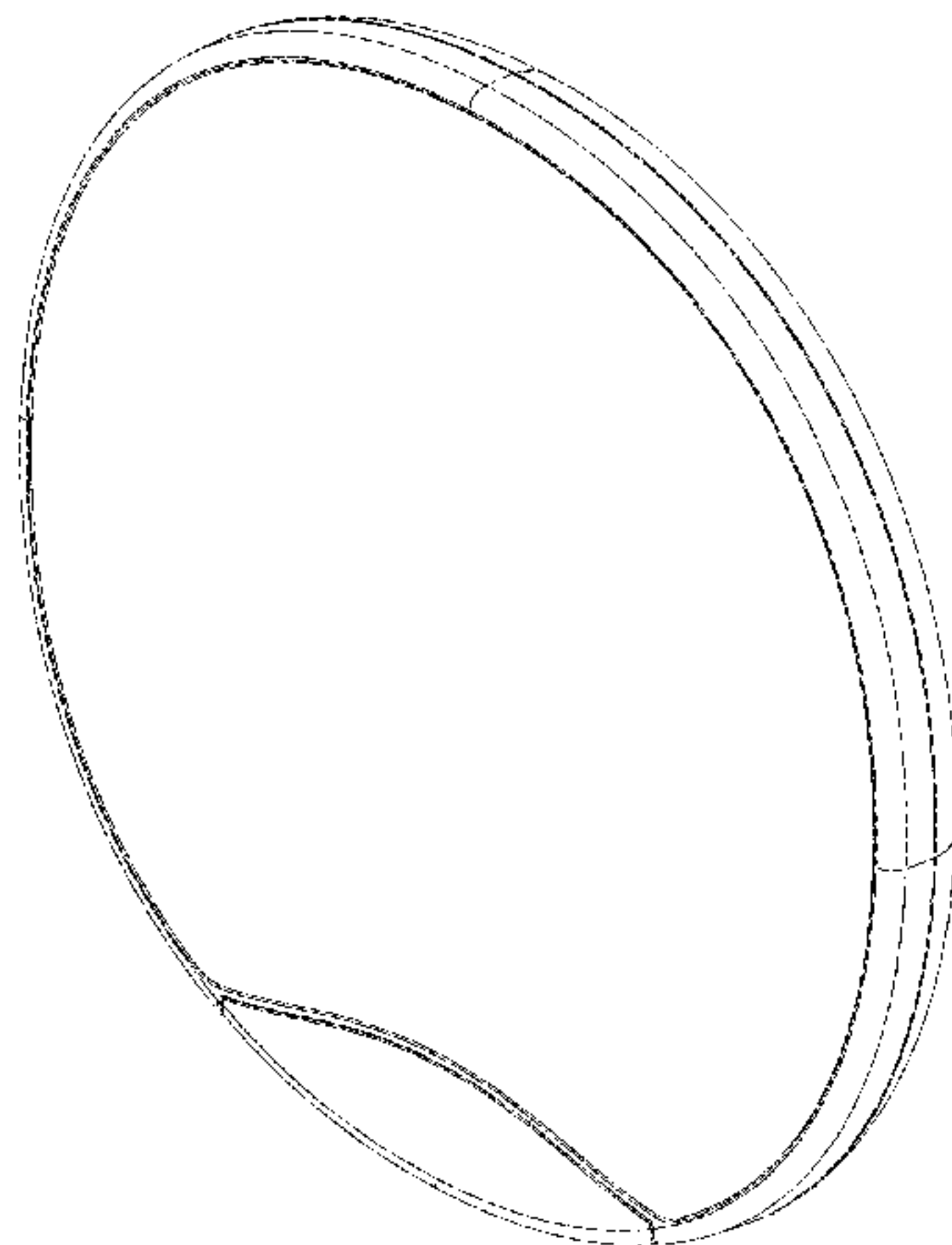
(57) **CLAIM**

The ornamental design for an integrated display terminal device, as shown and described.

**DESCRIPTION**

FIG. 1 is a perspective view of an integrated display terminal device showing our new design;  
FIG. 2 is a front elevation view thereof;  
FIG. 3 is a rear elevation view thereof, wherein a support device is included therein;  
FIG. 4 is a left side elevation view thereof;  
FIG. 5 is a right side elevation view thereof;  
FIG. 6 is a top plan view thereof;  
FIG. 7 is a bottom plan view thereof; and,  
FIG. 8 is a rear perspective view thereof.

**1 Claim, 6 Drawing Sheets**



(56)

**References Cited**

OTHER PUBLICATIONS

Nicholson et al., Rise the Official Magazine of Integrated Systems Europe (ISE) 2018, "Qbic launches TD-0350 Deskbooking Panel-PC workspace management technology" excerpt from p. 56, [http://issuu.com/magazineproduction/docs/rise\\_magazine\\_2018\\_ezine?e=1127854/55772763](http://issuu.com/magazineproduction/docs/rise_magazine_2018_ezine?e=1127854/55772763) 2018.

QBIC Technology, "TD-0350" promotional material publicly disclosed at the ISE 2018 exhibition in Amsterdam, Netherlands on Feb. 6-9, 2018.

\* cited by examiner

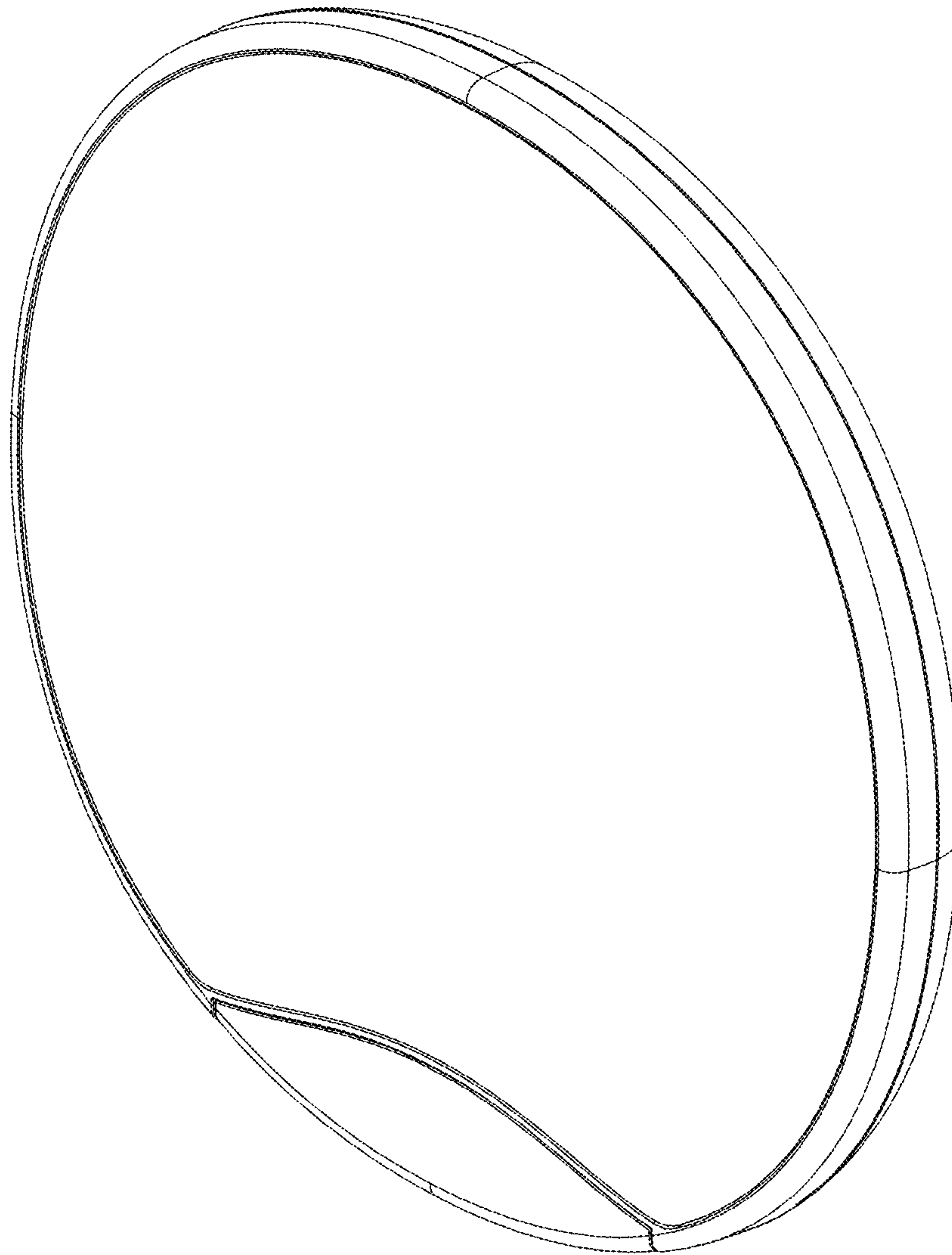


FIG. 1

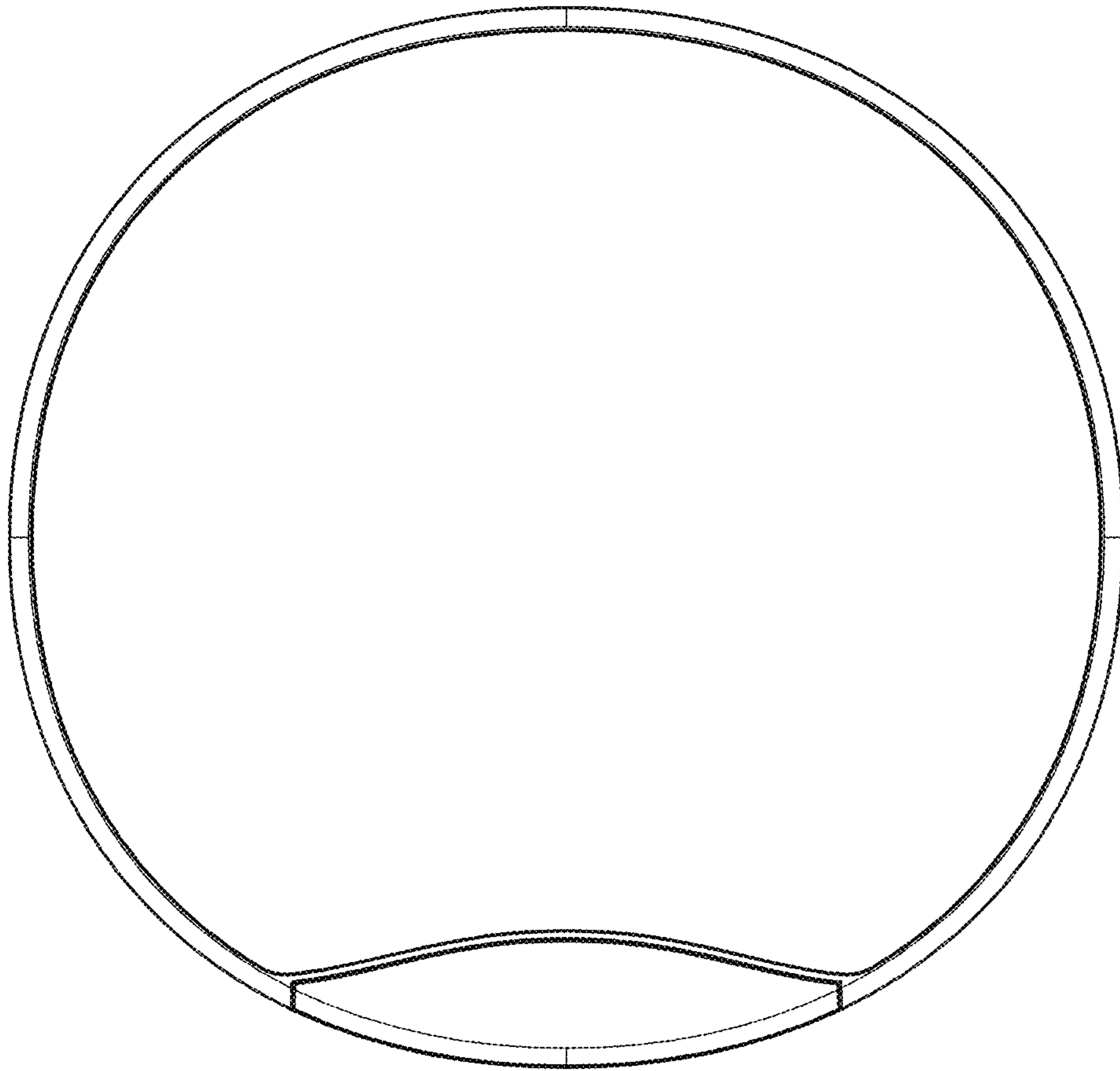


FIG. 2

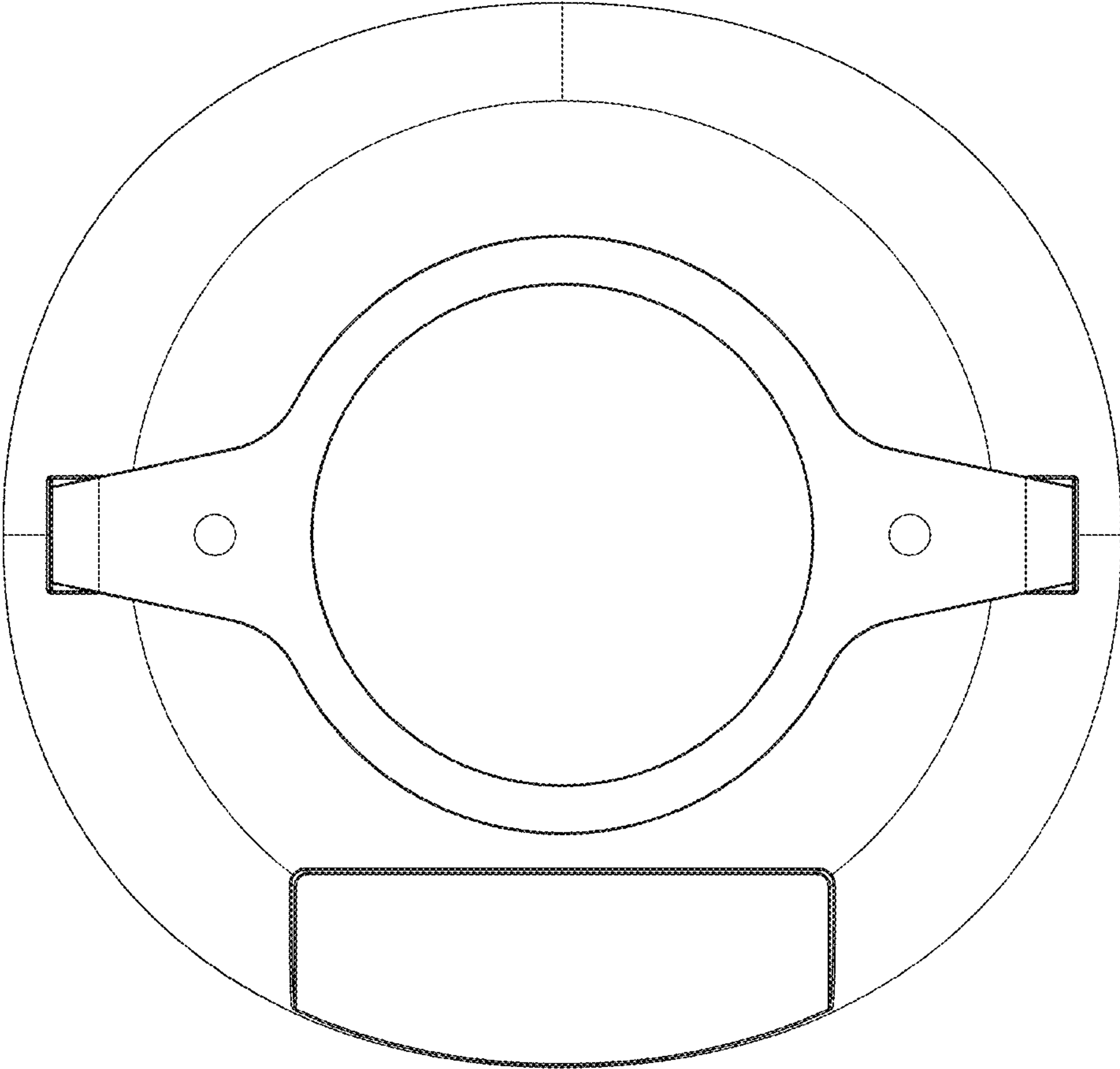


FIG. 3

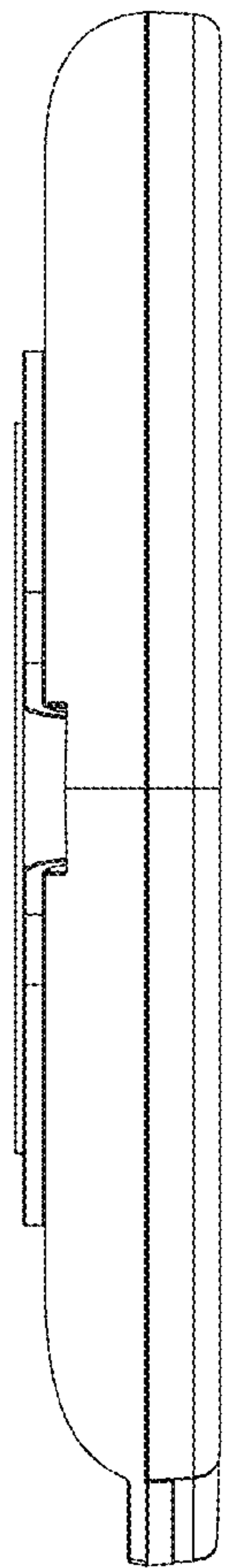


FIG. 4

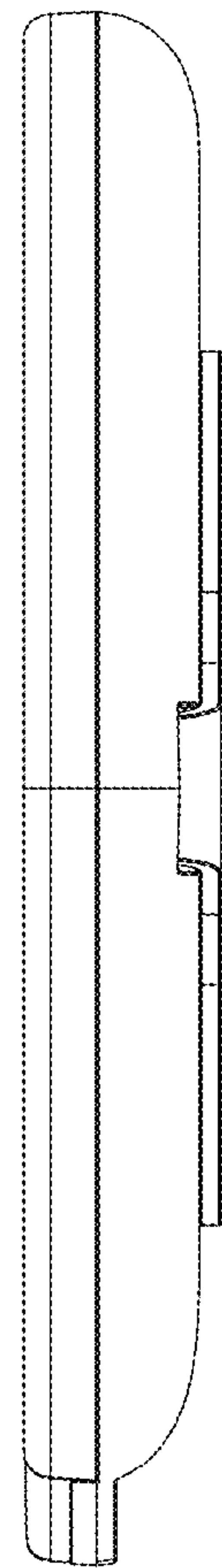


FIG. 5

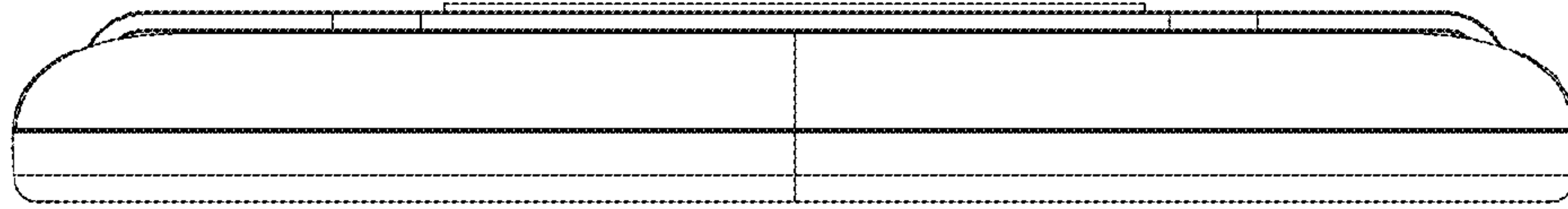


FIG. 6

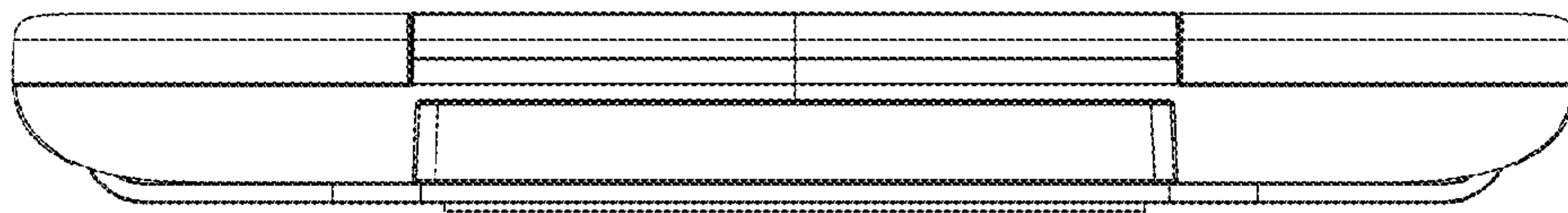


FIG. 7



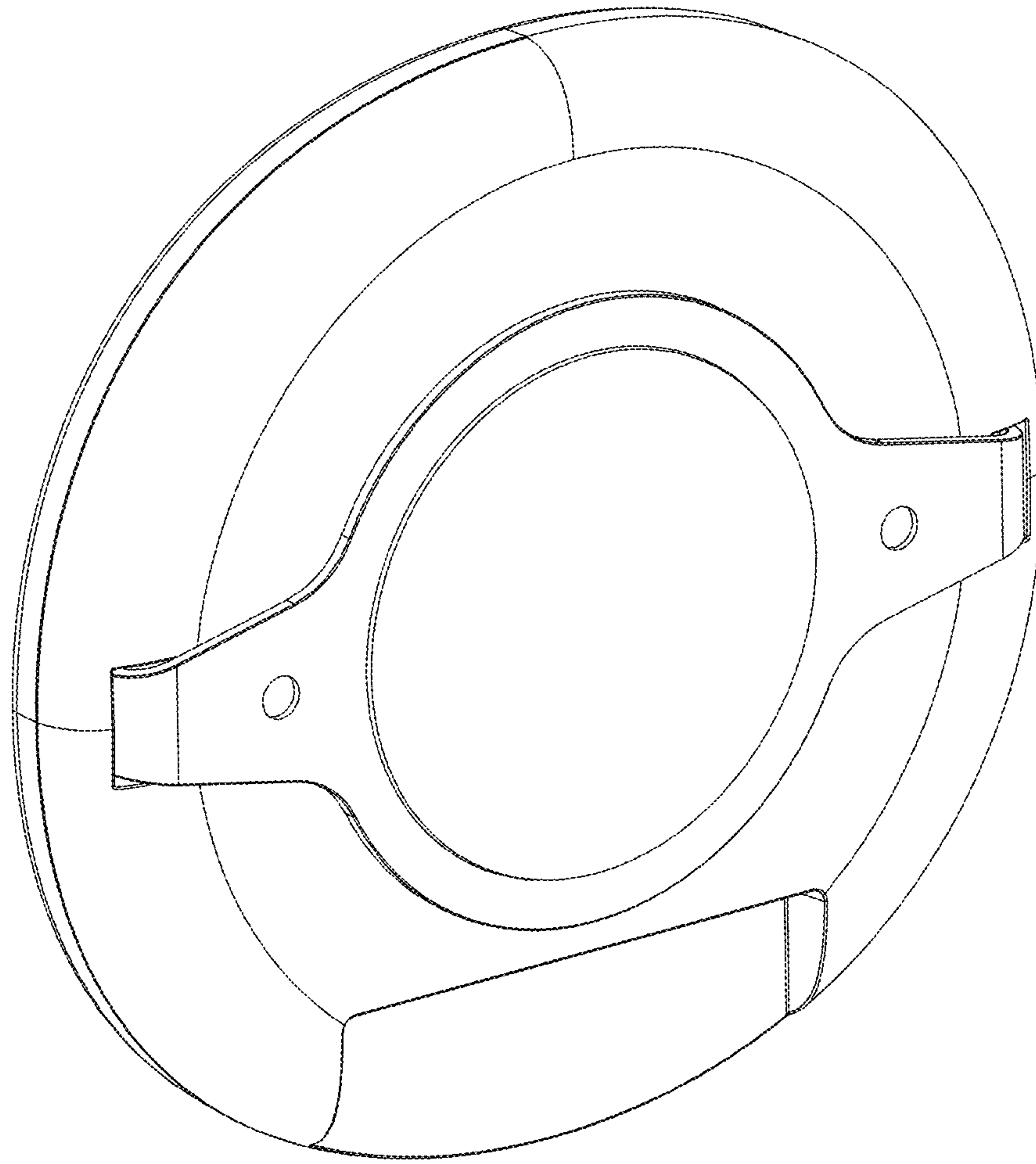


FIG. 8