



US00D856953S

(12) **United States Design Patent**
Chen et al.

(10) **Patent No.:** **US D856,953 S**

(45) **Date of Patent:** **** Aug. 20, 2019**

(54) **PORTION OF AN INTEGRATED DISPLAY
TERMINAL DEVICE**

D768,631 S * 10/2016 Epstein D14/388
D772,813 S * 11/2016 Wahl D13/108

(71) Applicant: **QBIC TECHNOLOGY CO., LTD.**,
New Taipei (TW)

OTHER PUBLICATIONS

(72) Inventors: **Yi-Hsin Chen**, New Taipei (TW);
Chun-Chih Chen, New Taipei (TW);
Ren-Yin Wu Ji, New Taipei (TW)

Qbic Technology, "TD-0350" public disclosure specifications brochure, 2018, www.qbictechnology.com.

(73) Assignee: **QBIC TECHNOLOGY CO., LTD.**,
New Taipei (TW)

Nicholson et al., Rise the Official Magazine of Integrated Systems Europe (ISE) 2018, "Qbic launches TD-0350 Deskbooking Panel-PC workspace management technology" excerpt from p. 56, http://issuu.com/magazineproduction/docs/rise_magazine_2018_ezine?e=1127854/55772763 2018.

(**) Term: **15 Years**

Qbic Technology, "TD-0350" promotional material publicly disclosed at the ISE 2018 exhibition in Amsterdam, Netherlands on Feb. 6-9, 2018.

(21) Appl. No.: **29/646,039**

(22) Filed: **May 1, 2018**

* cited by examiner

(30) **Foreign Application Priority Data**

Feb. 26, 2018 (TW) 107301087

Primary Examiner — Randall H Gholson

(51) **LOC (12) Cl.** **14-03**

(74) *Attorney, Agent, or Firm* — WPAT, PC

(52) **U.S. Cl.**
USPC **D14/126**

(57) **CLAIM**

(58) **Field of Classification Search**
USPC D14/125-134, 239, 371, 136, 374-377,
D14/440, 450, 448, 336, 159, 341-345;
312/7.2; 348/836, 838, 180, 184, 325,
348/739; 248/917-924, 465; 345/104,
345/133, 156, 168, 87, 173; D21/329,
D21/515, 577, 622, 333, 433, 448, 452,
D21/450, 331, 505; D10/15, 26;
446/484, 175, 356; D6/477, 479, 300,
D6/308; D24/185; D34/14; 361/679.21;
D19/113, 114; D20/10

The ornamental design for a portion of an integrated display terminal device, as shown and described.

CPC ... G06F 1/1601; G06F 1/1643; H05K 5/0004;
H05K 5/0017; H05K 5/02; H05K 5/0217
See application file for complete search history.

DESCRIPTION

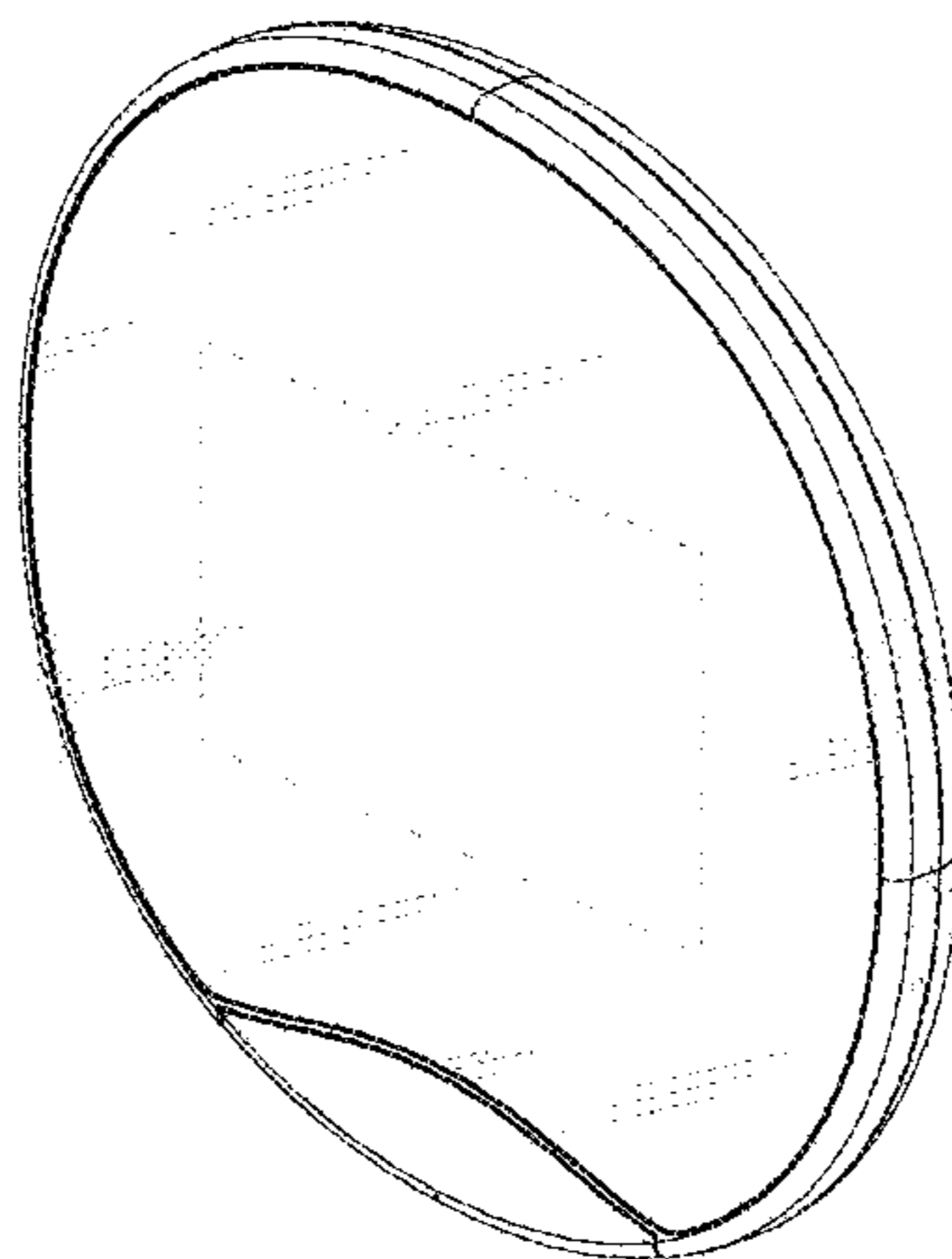
(56) **References Cited**

U.S. PATENT DOCUMENTS

2,226,516 A * 12/1940 Ross A63B 67/14
473/588
D512,064 S * 11/2005 Li D14/403
D740,264 S * 10/2015 Kester D14/126

FIG. 1 is a perspective view of a portion of an integrated display terminal device showing our new design;
FIG. 2 is a front elevation view thereof;
FIG. 3 is a rear elevation view thereof;
FIG. 4 is a left side elevation view thereof;
FIG. 5 is a right side elevation view thereof;
FIG. 6 is a top plan view thereof;
FIG. 7 is a bottom plan view thereof;
FIG. 8 is a rear perspective view thereof;
FIG. 9 is another rear perspective view thereof, which is joined to a support device;
FIG. 10 is a front perspective view thereof, which is separated from a support device that may be fixed to a plane; and,
FIG. 11 is a front perspective view thereof, which is separated from a support device that may be adhered to a plane.
The broken lines shown represent unclaimed subject matter and form no part of the claimed design.

1 Claim, 9 Drawing Sheets



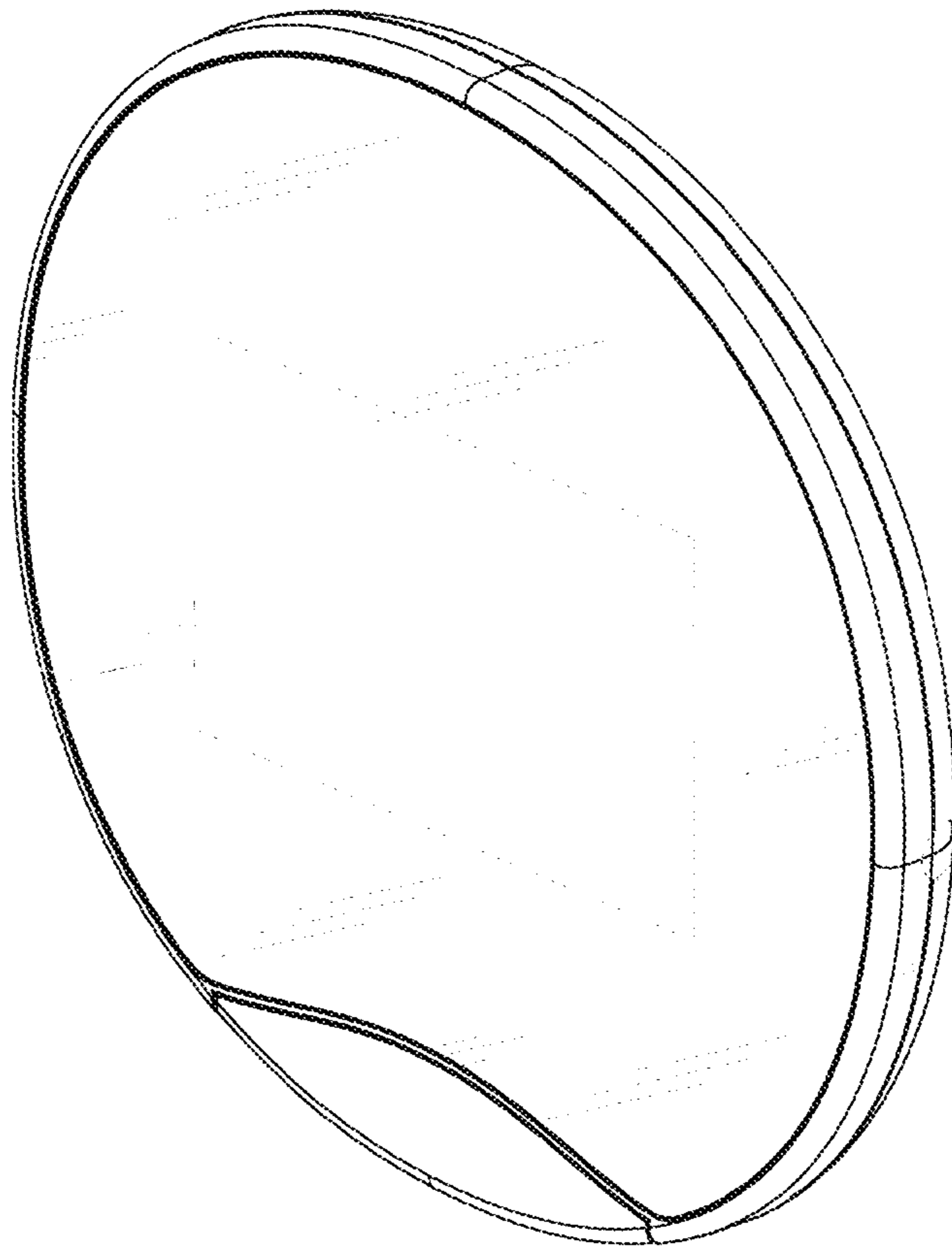


FIG. 1

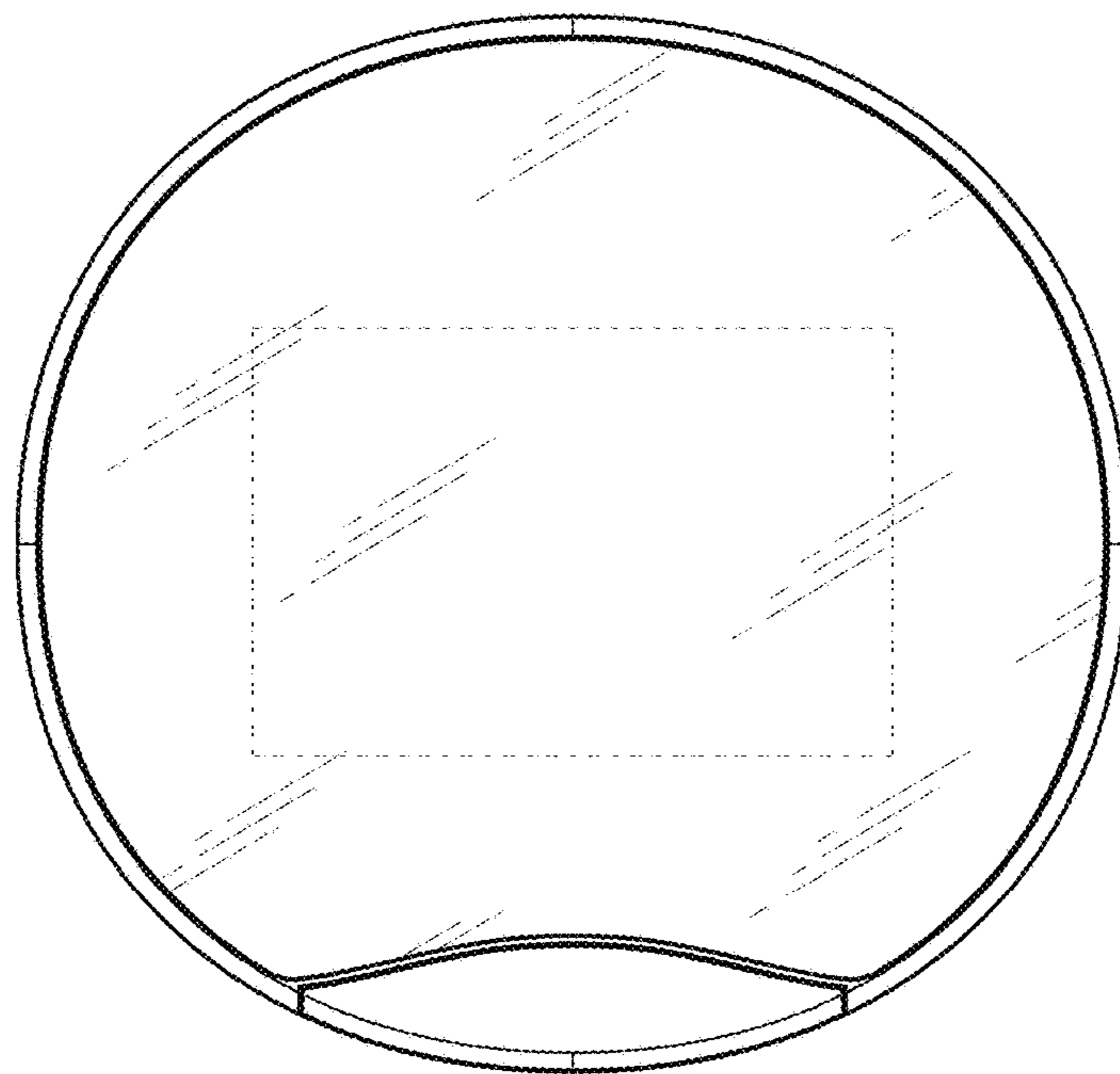


FIG. 2

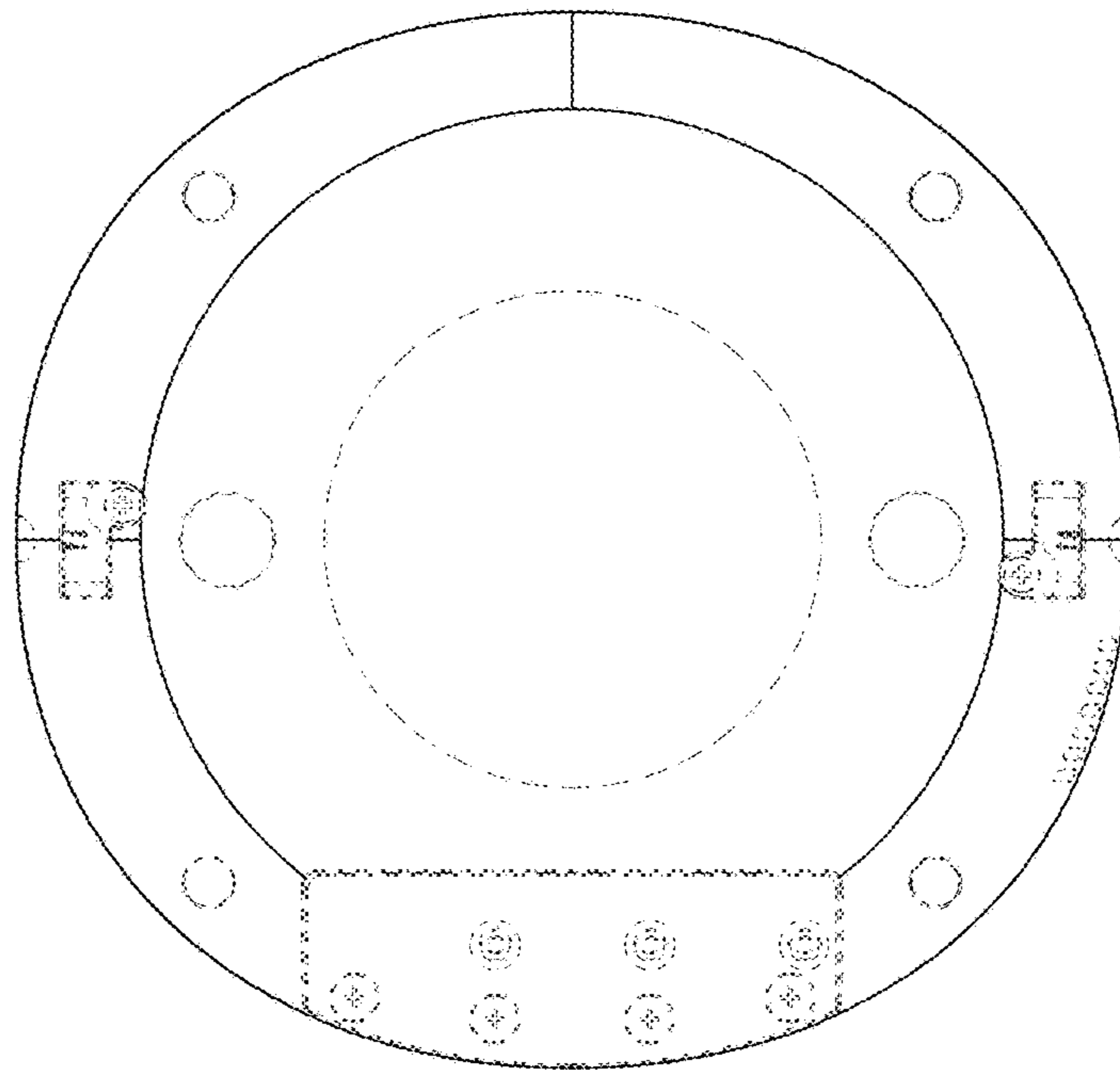


FIG. 3

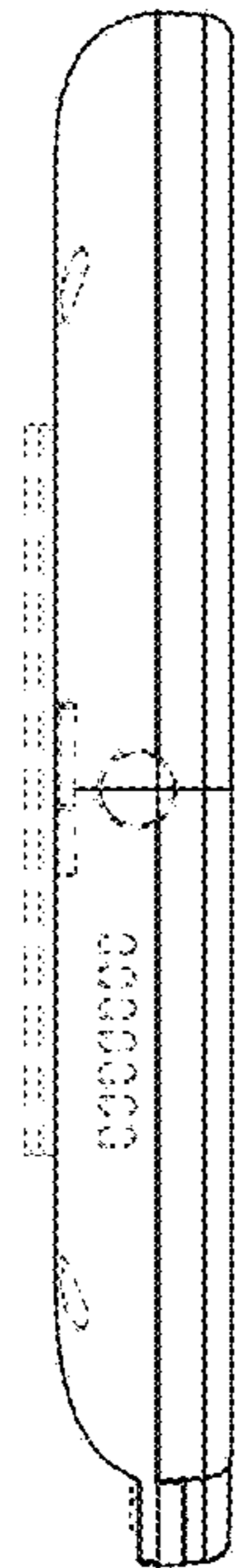


FIG. 4



FIG. 5

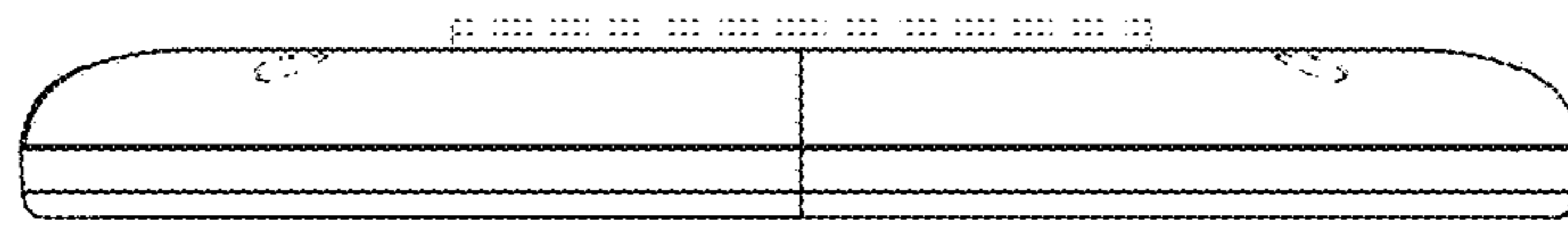


FIG. 6

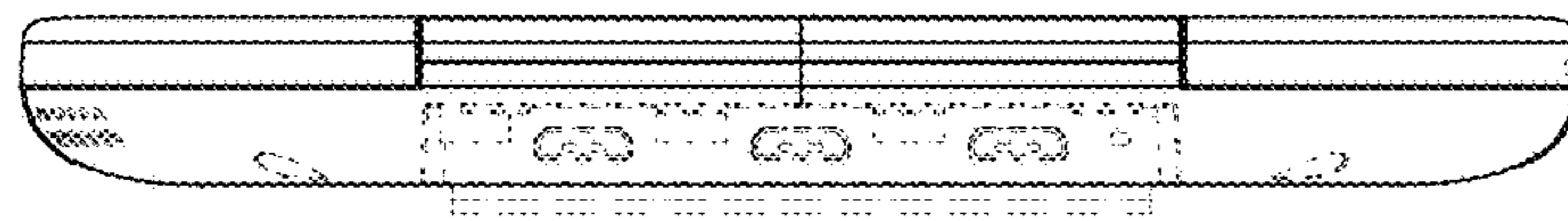


FIG. 7

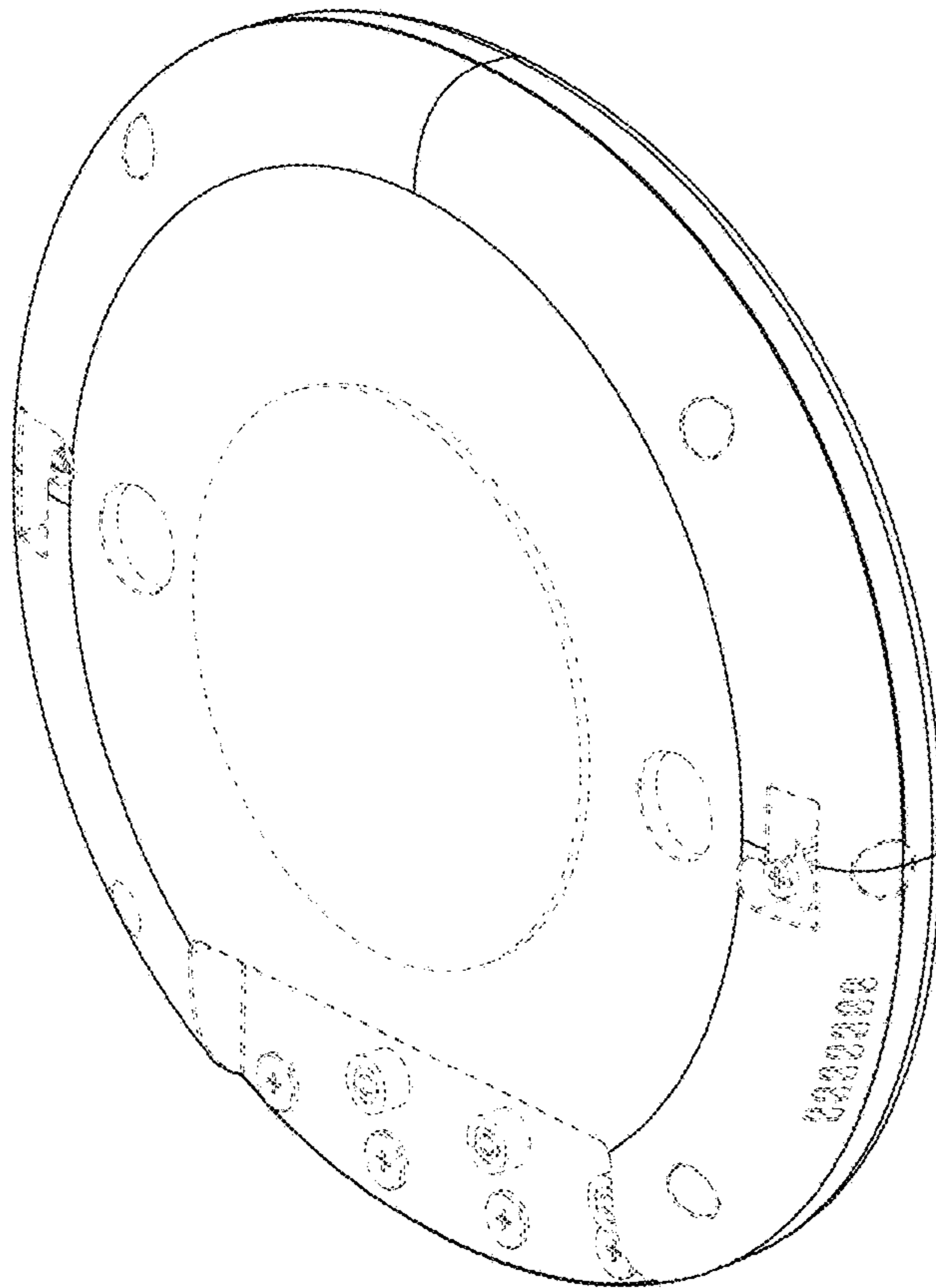


FIG. 8

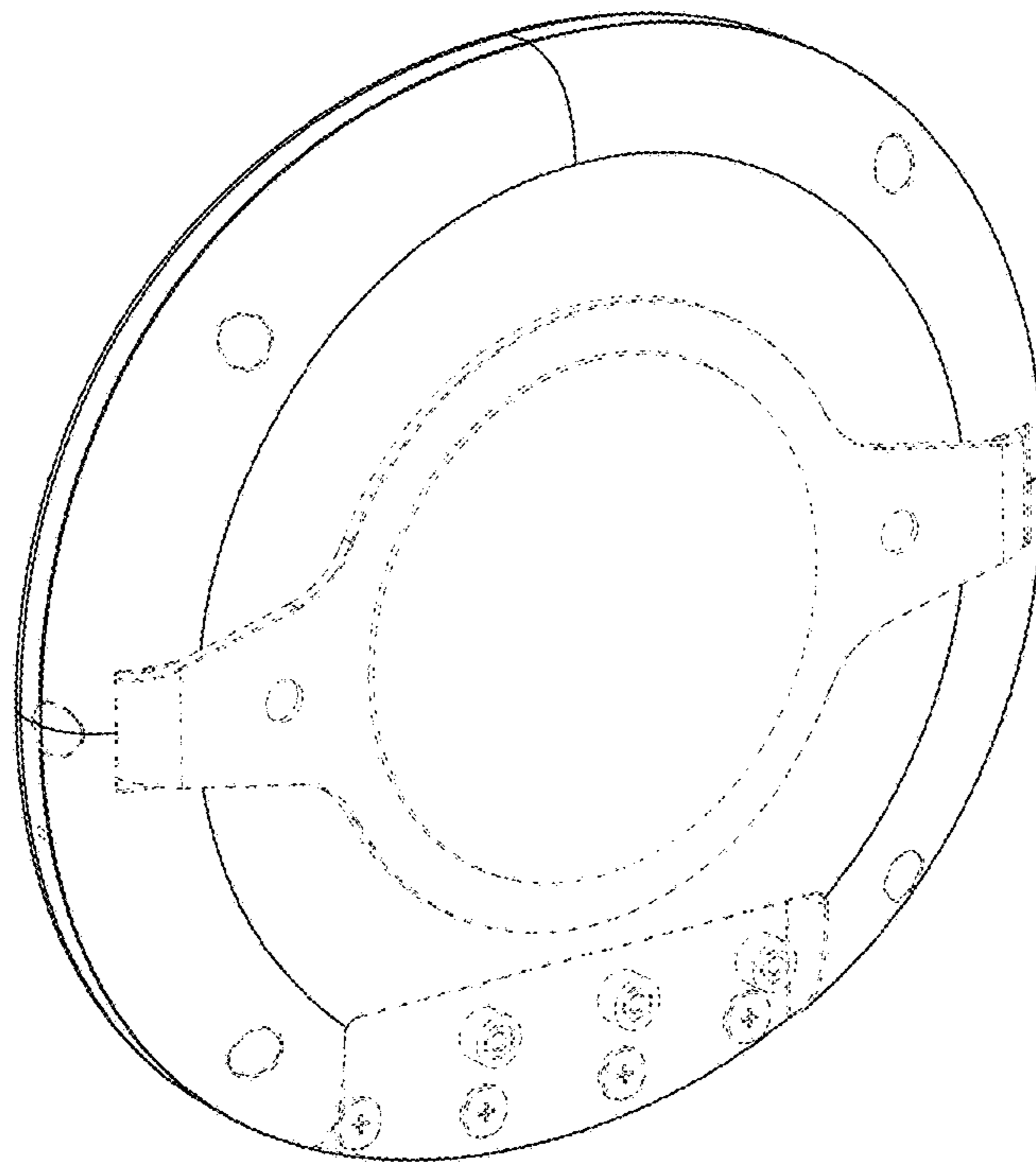


FIG. 9

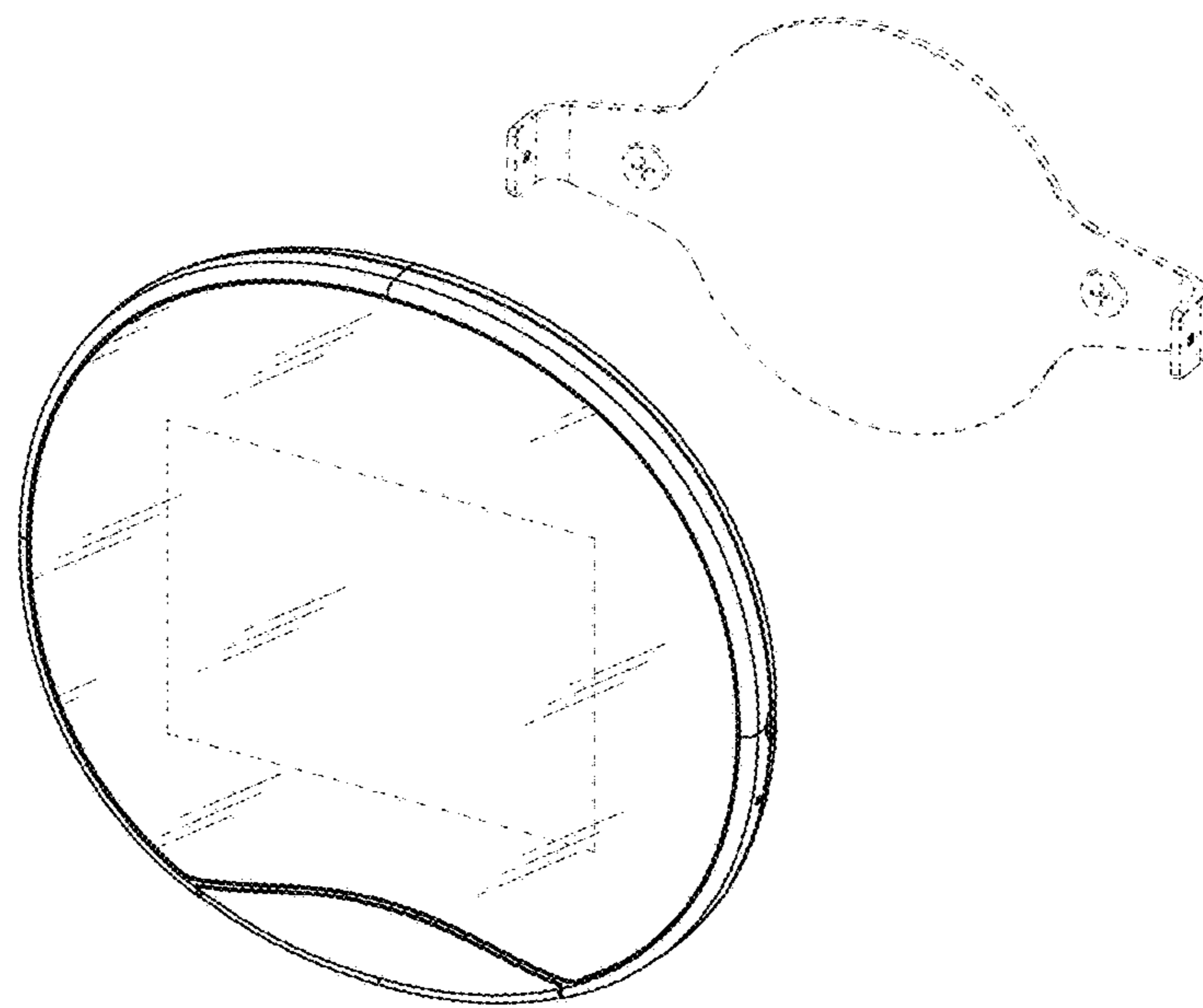


FIG. 10

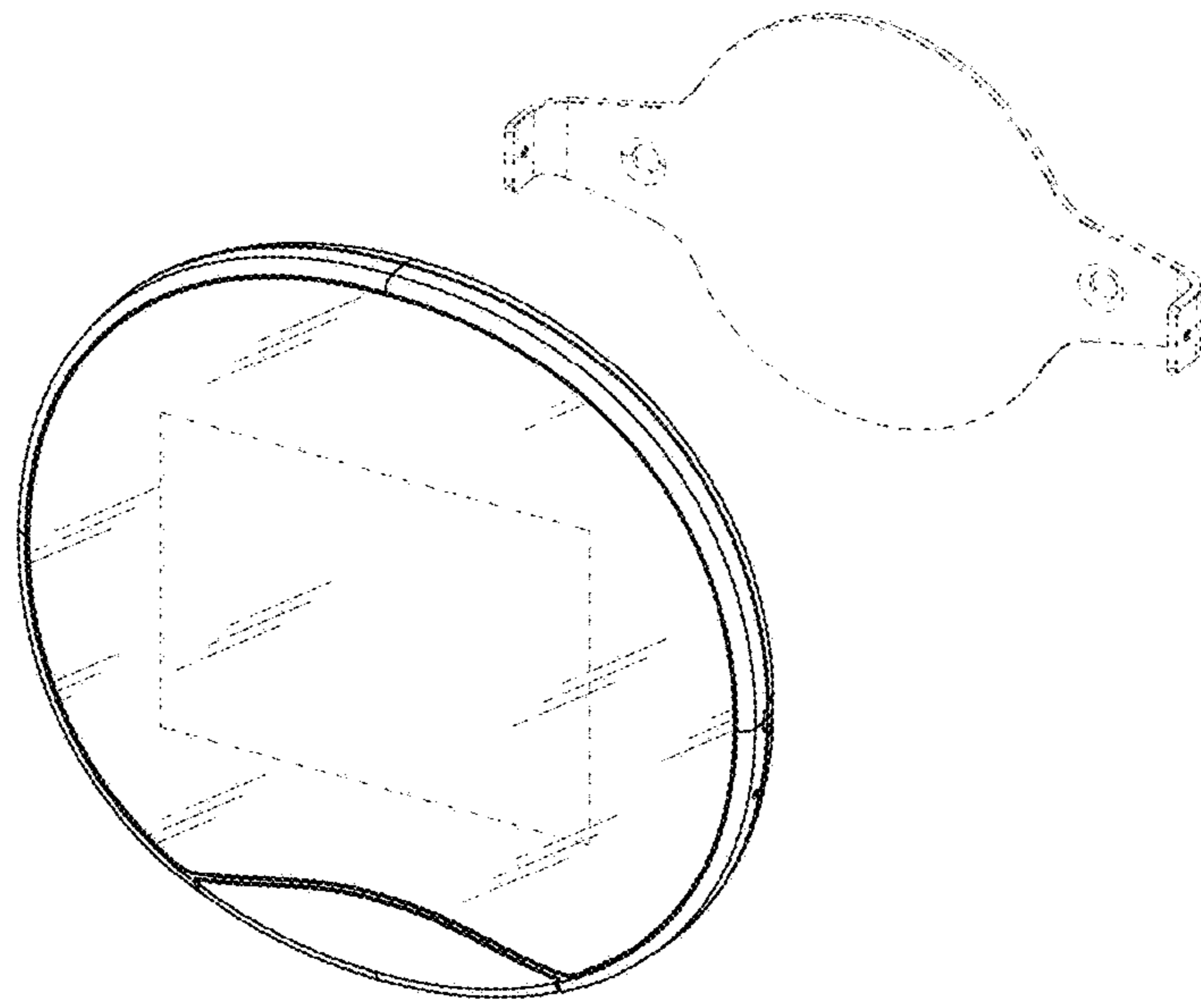


FIG. 11