



US00D856952S

(12) **United States Design Patent**  
**Kim**

(10) **Patent No.:** **US D856,952 S**

(45) **Date of Patent:** **\*\* Aug. 20, 2019**

(54) **TELEVISION RECEIVER**

(71) Applicant: **LG DISPLAY CO., LTD.**, Seoul (KR)

(72) Inventor: **InYoung Kim**, Paju-si (KR)

(73) Assignee: **LG Display Co., Ltd.**, Seoul (KR)

(\*\*) Term: **15 Years**

(21) Appl. No.: **29/644,041**

(22) Filed: **Apr. 13, 2018**

(30) **Foreign Application Priority Data**

Oct. 18, 2017 (KR) ..... 30-2017-0048389

(51) **LOC (12) Cl.** ..... **14-03**

(52) **U.S. Cl.**  
USPC ..... **D14/126**

(58) **Field of Classification Search**  
USPC ..... D14/125-134, 239, 371, 136, 374-377,  
D14/440, 450, 448, 336, 159, 341-345;  
312/7.2; 348/836, 838, 180, 184, 325,  
348/739; 248/917-924, 465; 345/104,  
345/133, 156, 168, 87, 173; D21/329,  
D21/515, 577, 622, 333, 433, 448, 452,  
D21/450, 331, 505; D10/15, 26;  
446/484, 175, 356; D6/477, 479, 300,  
D6/308; D24/185; D34/14; 361/679.21;  
D19/113, 114; D20/10  
CPC ... G06F 1/1601; G06F 1/1643; H05K 5/0004;  
H05K 5/0017; H05K 5/02; H05K 5/0217  
See application file for complete search history.

(56) **References Cited**

**U.S. PATENT DOCUMENTS**

D796,465 S \* 9/2017 Kim ..... D14/126  
D807,484 S \* 1/2018 Sevy ..... D23/366

\* cited by examiner

*Primary Examiner* — Randall H Gholson

(74) *Attorney, Agent, or Firm* — Birch, Stewart, Kolasch & Birch, LLP

(57) **CLAIM**

The ornamental design for a television receiver, as shown and described.

**DESCRIPTION**

FIG. 1 is a front, right, top perspective view of the television receiver showing my new design;  
FIG. 2 is a front view thereof;  
FIG. 3 is a rear view thereof;  
FIG. 4 is a left side view thereof;  
FIG. 5 is a right side view thereof;  
FIG. 6 is a top plan view thereof;  
FIG. 7 is a bottom view thereof;  
FIG. 8 is an enlarged view of a portion labeled "A" in FIG. 1;  
FIG. 9 is an enlarged rear, left, top view of an upper left corner portion opposite to the upper right corner portion labeled "A" in FIG. 1; and,  
FIG. 10 is an enlarged view of a portion labeled "B" in FIG. 4.  
The dot-dash broken line showing in FIGS. 1, 4, 8, 9 and 10, as well as the letter "A" in FIG. 1 and the letter "B" in FIG. 4, and the associated lead lines, are for the purpose of illustrating partially enlarged views only and form no part of the claimed design. The evenly-spaced broken line showing in FIGS. 1-3 and 6-10 is for the purpose of illustrating portions of the television receiver and forms no part of the claimed design.

**1 Claim, 5 Drawing Sheets**

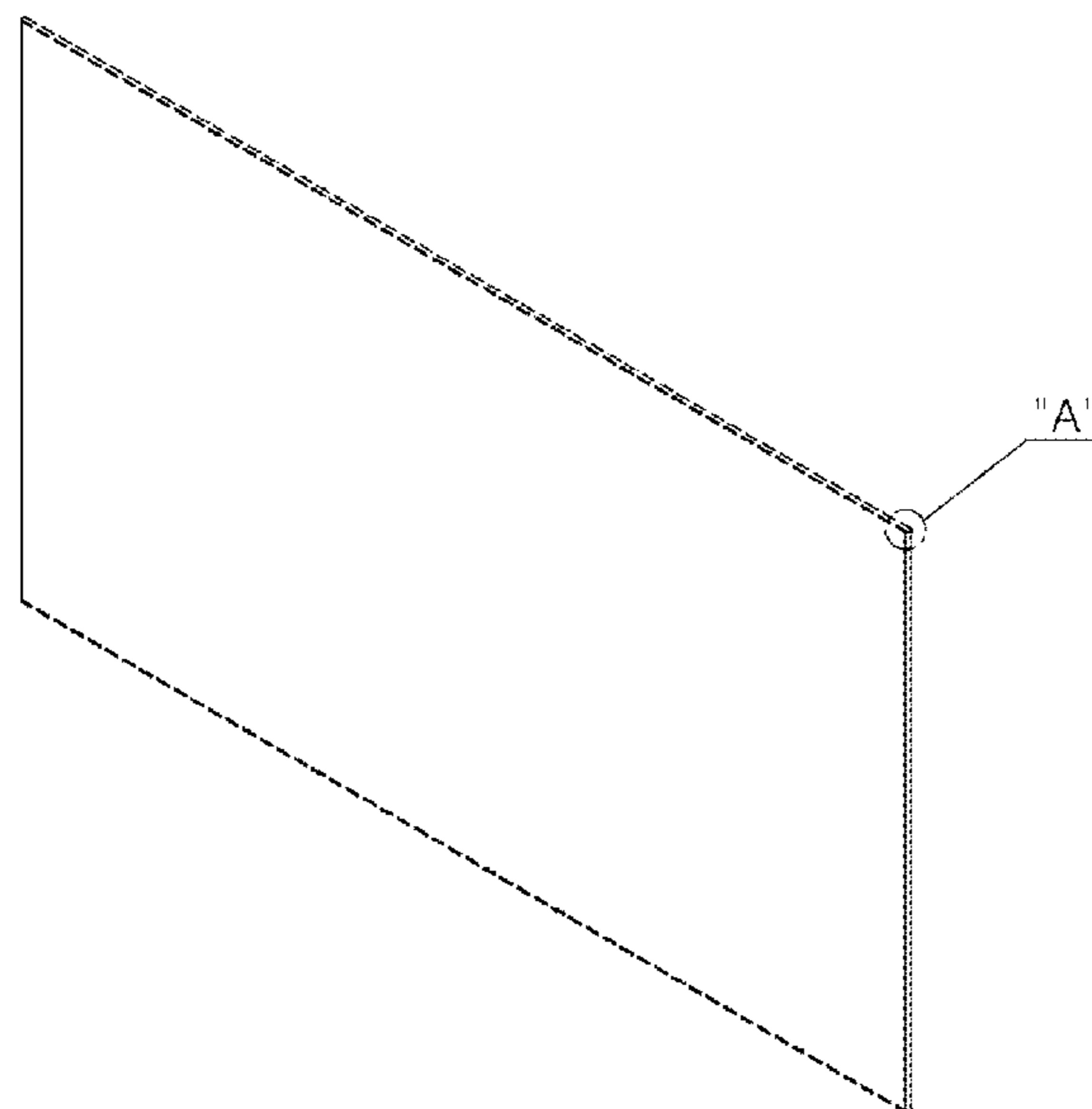


FIG. 1

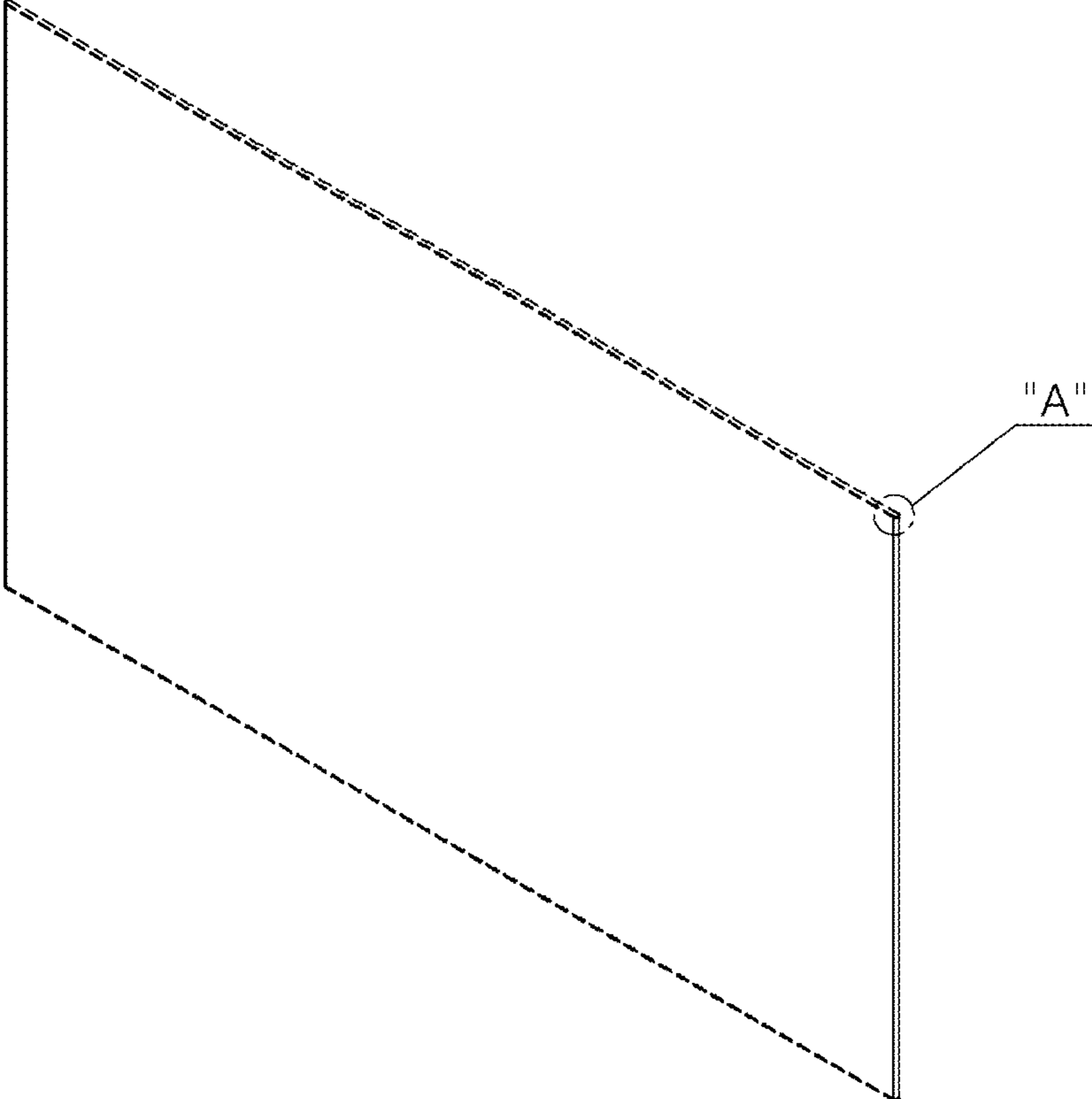


FIG. 2

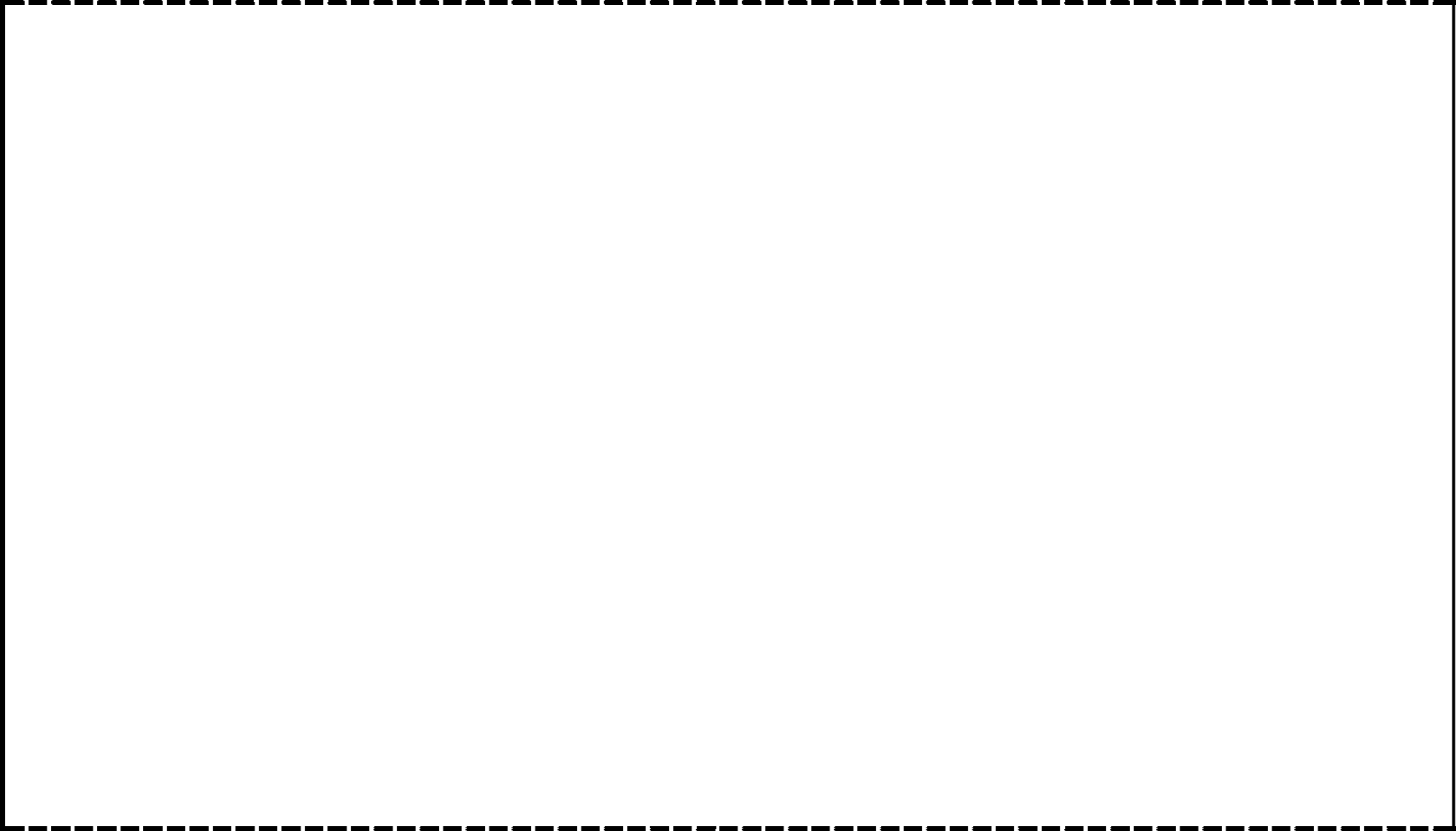


FIG. 3

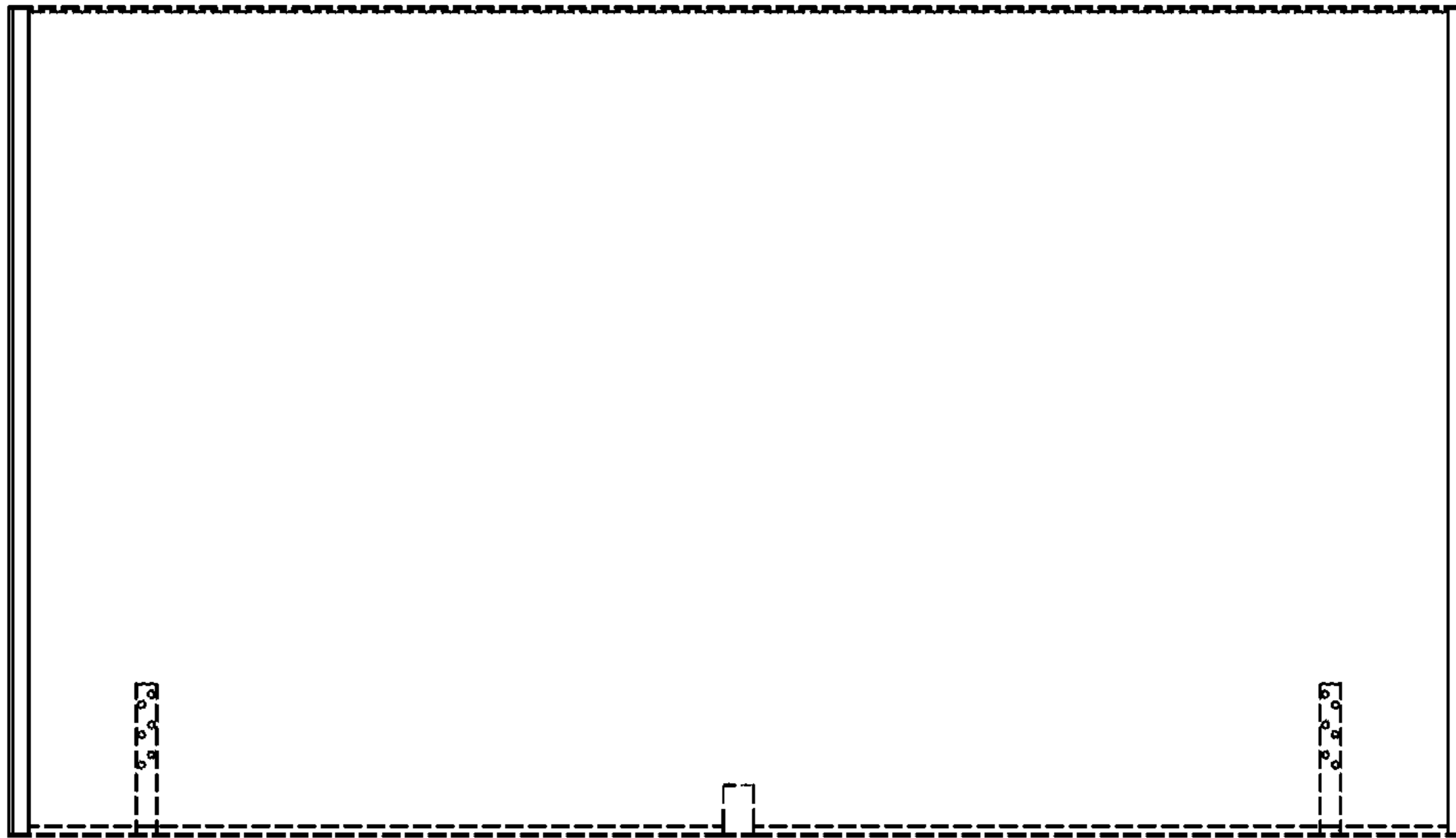


FIG. 4

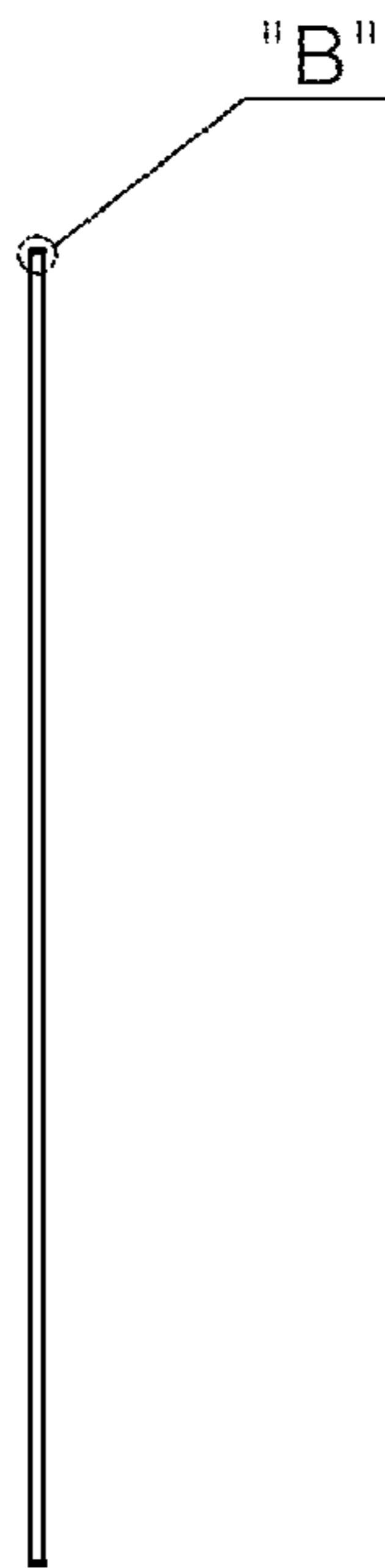


FIG. 5



FIG. 6



FIG. 7

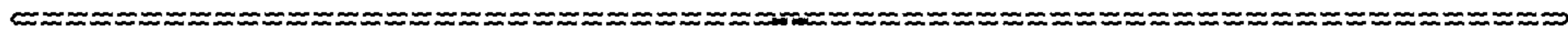


FIG. 8

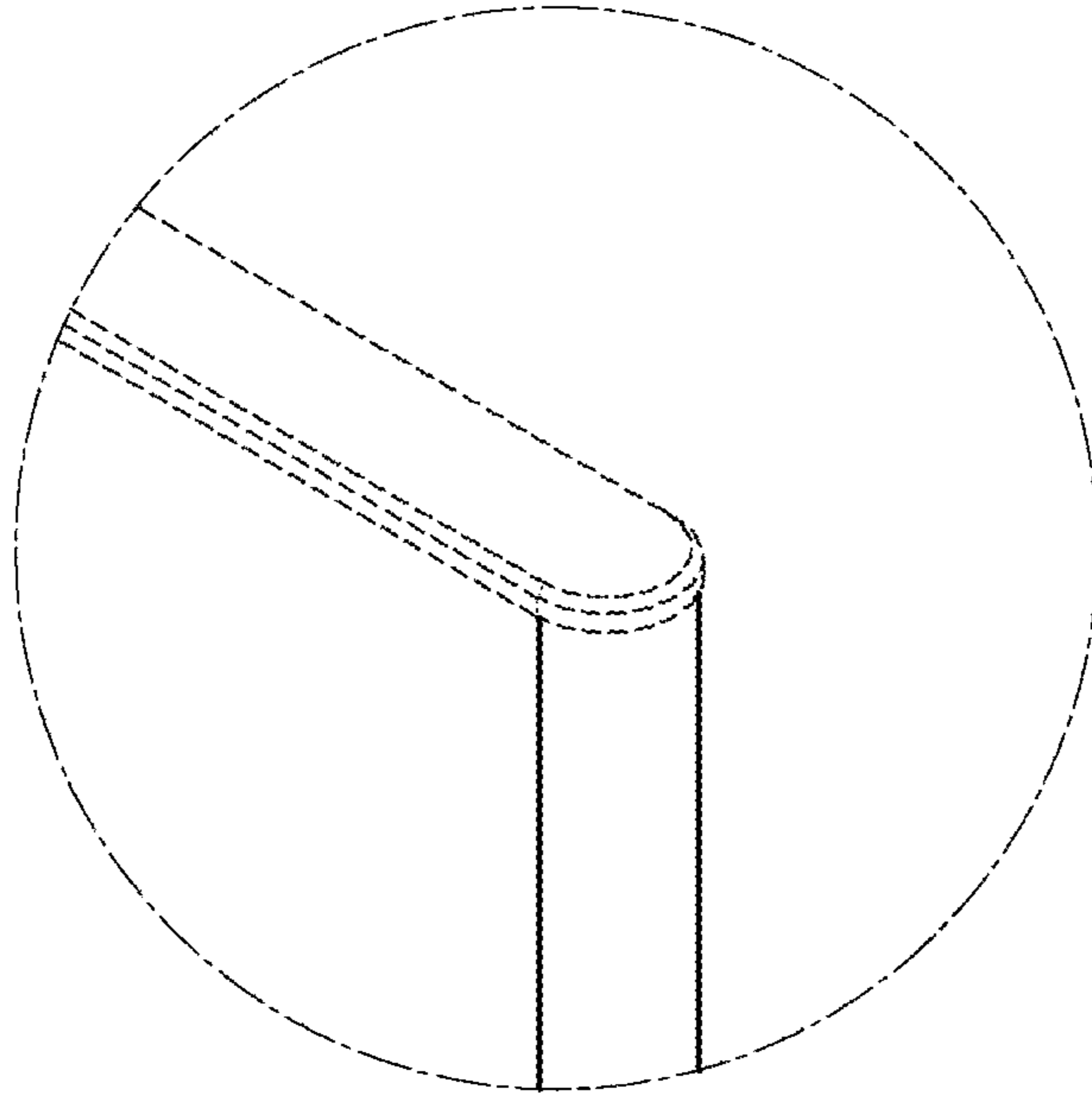


FIG. 9

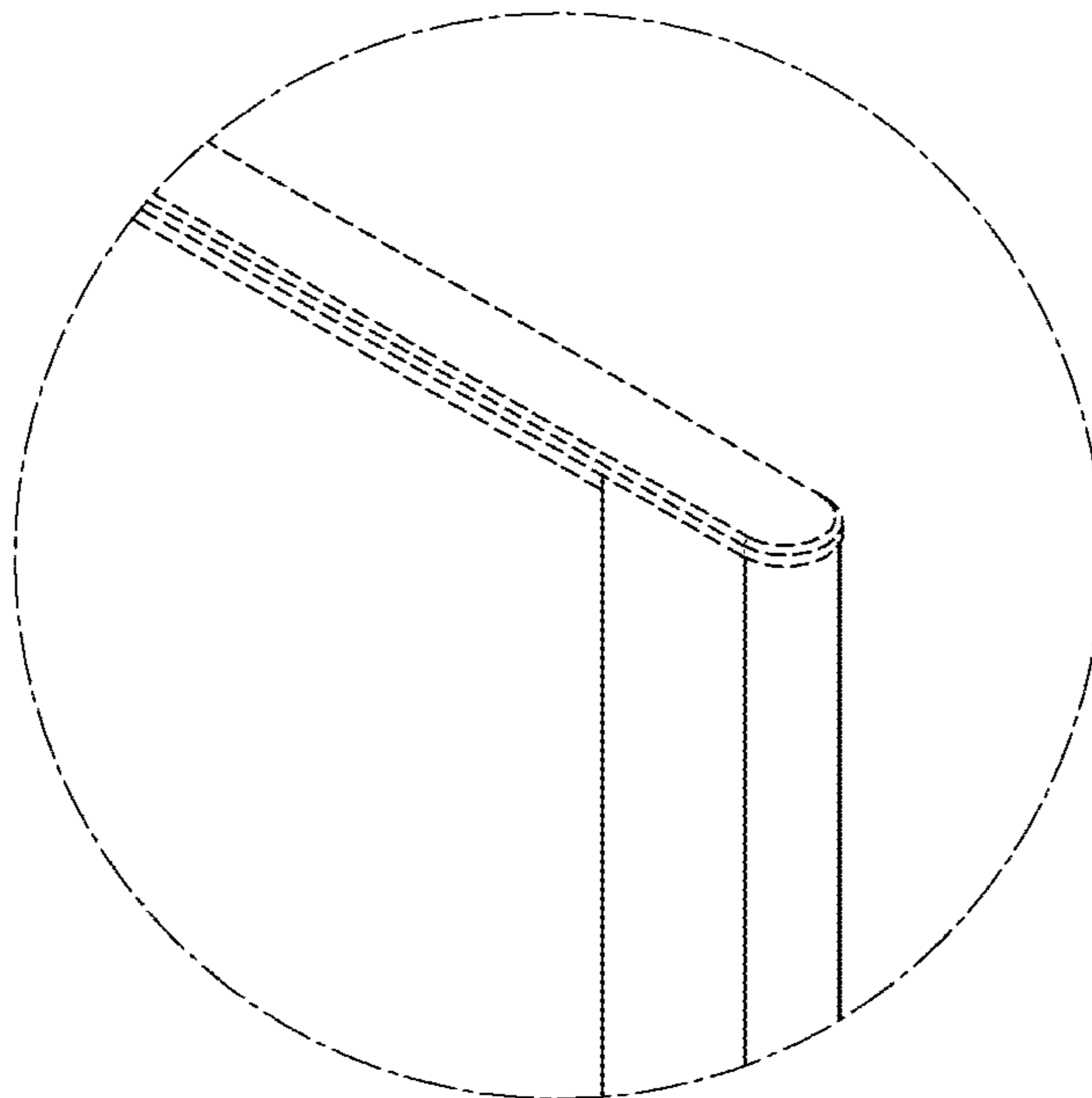


FIG. 10

