



US00D856945S

(12) **United States Design Patent**
Azar et al.

(10) **Patent No.:** **US D856,945 S**

(45) **Date of Patent:** **** Aug. 20, 2019**

(54) **FLUID MOVER ENCLOSURE**

(71) Applicant: **Advanced Thermal Solutions, Inc.**,
Norwood, MA (US)

(72) Inventors: **Kaveh Azar**, Quincy, MA (US);
Bahman Tavassoli-Hojati, Norton, MA
(US)

(73) Assignee: **Advanced Thermal Solutions, Inc.**,
Norwood, MA (US)

(**) Term: **15 Years**

(21) Appl. No.: **29/678,905**

(22) Filed: **Jan. 31, 2019**

(51) **LOC (12) Cl.** **13-03**

(52) **U.S. Cl.**
USPC **D13/179**

(58) **Field of Classification Search**
USPC D13/179, 182, 180, 133; D15/199
CPC H01L 23/473; H01L 23/46; H01L 23/4735
See application file for complete search history.

(56) **References Cited**

U.S. PATENT DOCUMENTS

D249,790 S	10/1978	Ainscow	
5,158,136 A *	10/1992	Azar	F28F 1/124 165/185
6,239,986 B1 *	5/2001	Otsuka	H05K 7/1427 361/728
6,305,955 B1 *	10/2001	Billman	H01R 13/6485 439/138
6,351,394 B1 *	2/2002	Cunningham	G02B 6/4277 174/375
D463,383 S	9/2002	Hwang	
D478,055 S *	8/2003	Jing	D13/179
D479,828 S *	9/2003	Dugas	D13/179
D479,829 S *	9/2003	Dugas	D13/179
6,628,512 B2 *	9/2003	Searby	G06F 1/181 361/679.58
D482,008 S	11/2003	Petronio	

D490,382 S *	5/2004	Dugas	D13/179
D496,907 S *	10/2004	Hwang	G02B 6/4277 D13/123
D512,697 S	12/2005	Enns et al.	
D531,965 S *	11/2006	Stathakis	H01L 23/427 D13/179
D536,675 S	2/2007	Millar et al.	
D543,953 S *	6/2007	Dugas	D13/179
D553,170 S *	10/2007	Remsburg	D15/199
D553,656 S *	10/2007	Reeves	D15/199
D605,141 S *	12/2009	Jones	D13/179

(Continued)

Primary Examiner — Janice Hallmark

(74) *Attorney, Agent, or Firm* — Lieberman &
Brandsdorfer, LLC

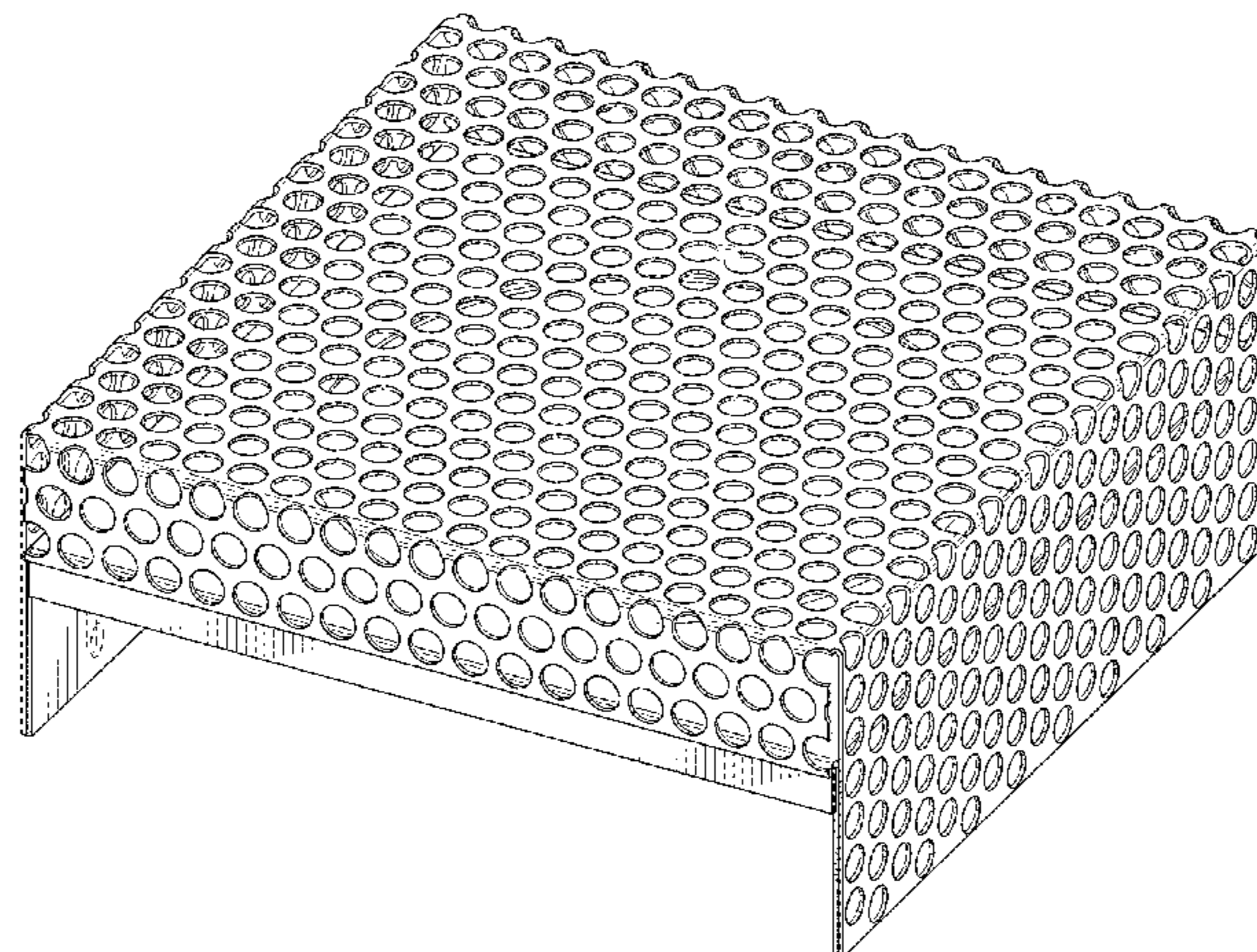
(57) **CLAIM**

The ornamental design for a fluid mover enclosure, as shown and described.

DESCRIPTION

FIG. 1 is a front perspective view of a fluid mover enclosure showing our new design;
 FIG. 2 is a top plan view of the fluid mover enclosure shown in FIG. 1;
 FIG. 3 is a bottom plan view of FIG. 1;
 FIG. 4 is a front view of FIG. 1;
 FIG. 5 is a back view of FIG. 1;
 FIG. 6 is a right side view of FIG. 1;
 FIG. 7 is a left side view of FIG. 1;
 FIG. 8 is a perspective view of the fluid mover enclosure, wherein the enclosure is shown assembled within an environmental mounting; and,
 FIG. 9 is a perspective view of the fluid mover enclosure, showing the environmental mounting exploded around the enclosure.
 The broken lines illustrate environment and form no part of the claimed design.

1 Claim, 7 Drawing Sheets



(56)

References Cited

U.S. PATENT DOCUMENTS

D650,339 S	*	12/2011	Chang	D13/179
D694,703 S	*	12/2013	Faro	D13/103
D699,690 S	*	2/2014	Hsu	D13/179
D797,049 S	*	9/2017	Keswani	D13/133
D810,022 S	*	2/2018	Keswani	D13/133
D812,022 S	*	3/2018	Buchanan	D13/179
D822,625 S	*	7/2018	Tamura	D13/179

* cited by examiner

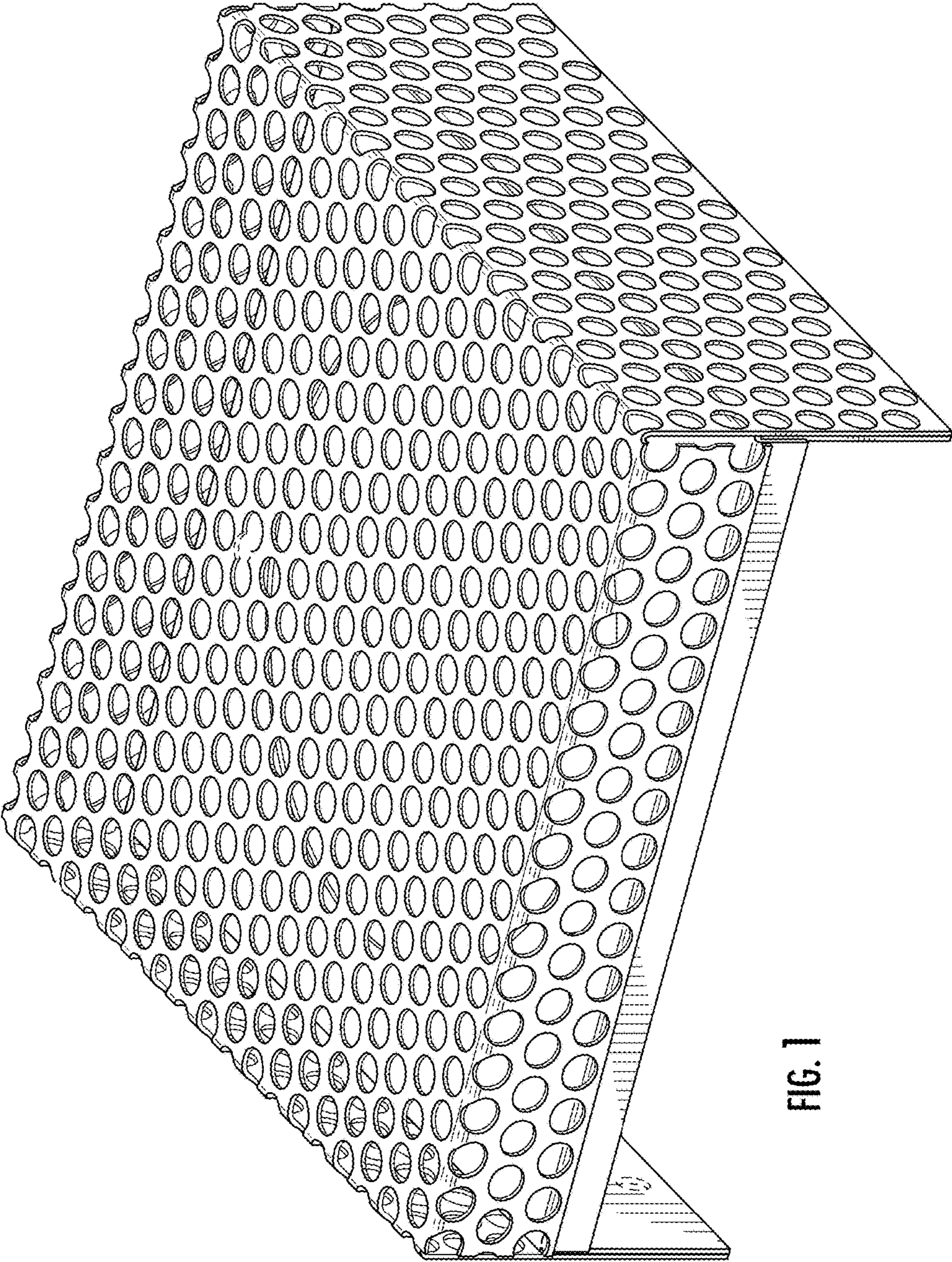


FIG. 1

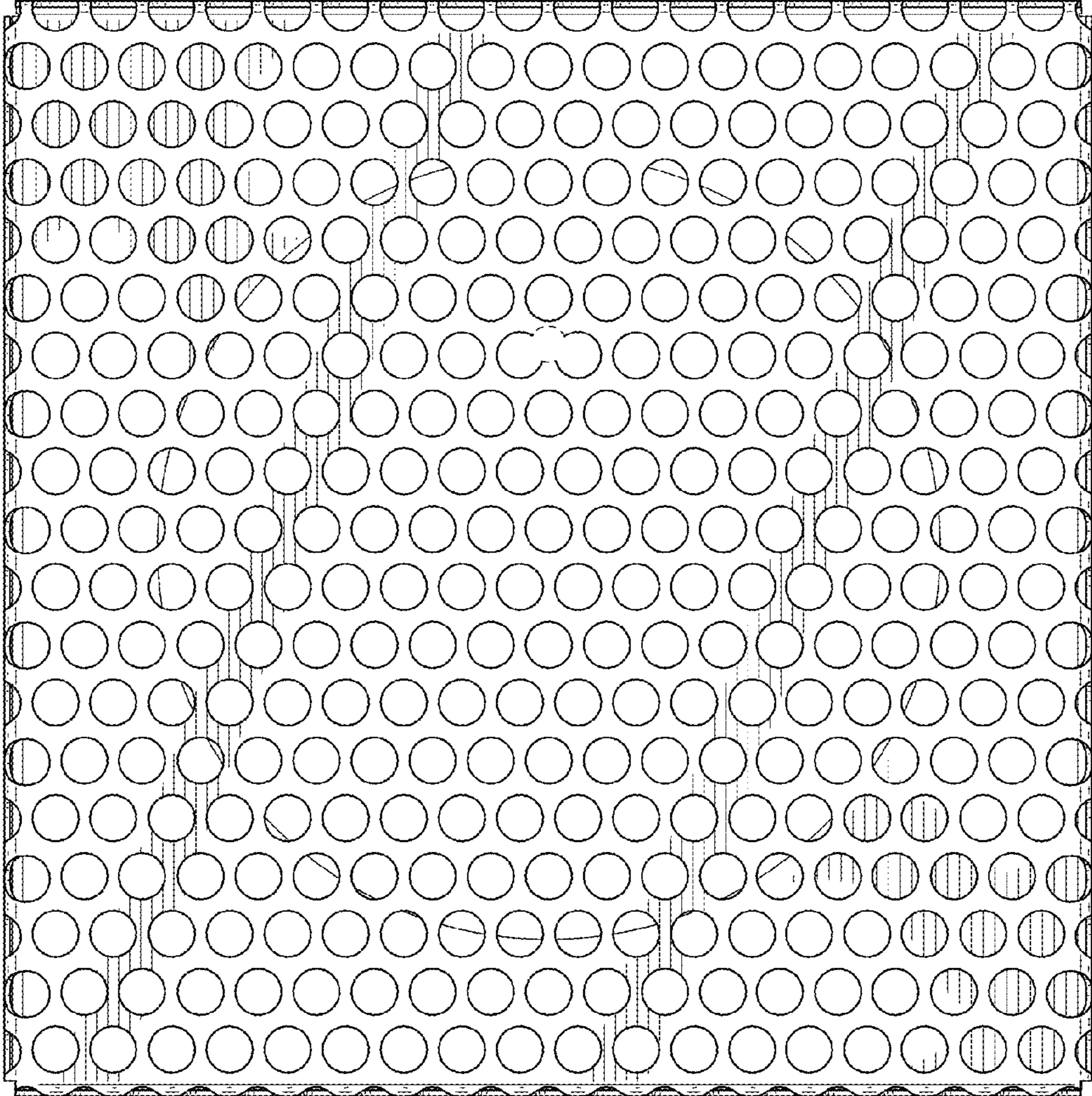


FIG. 2

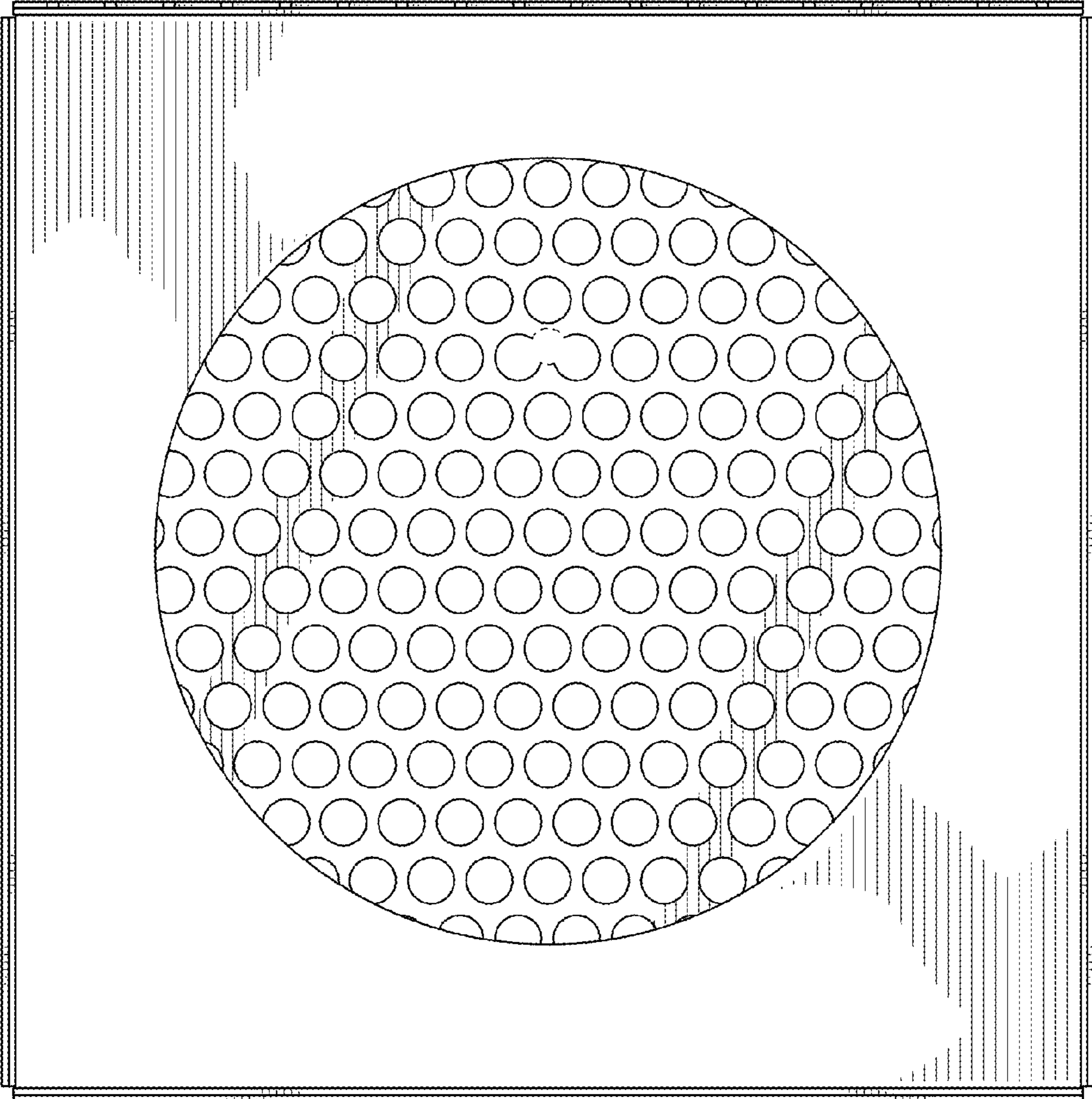


FIG. 3

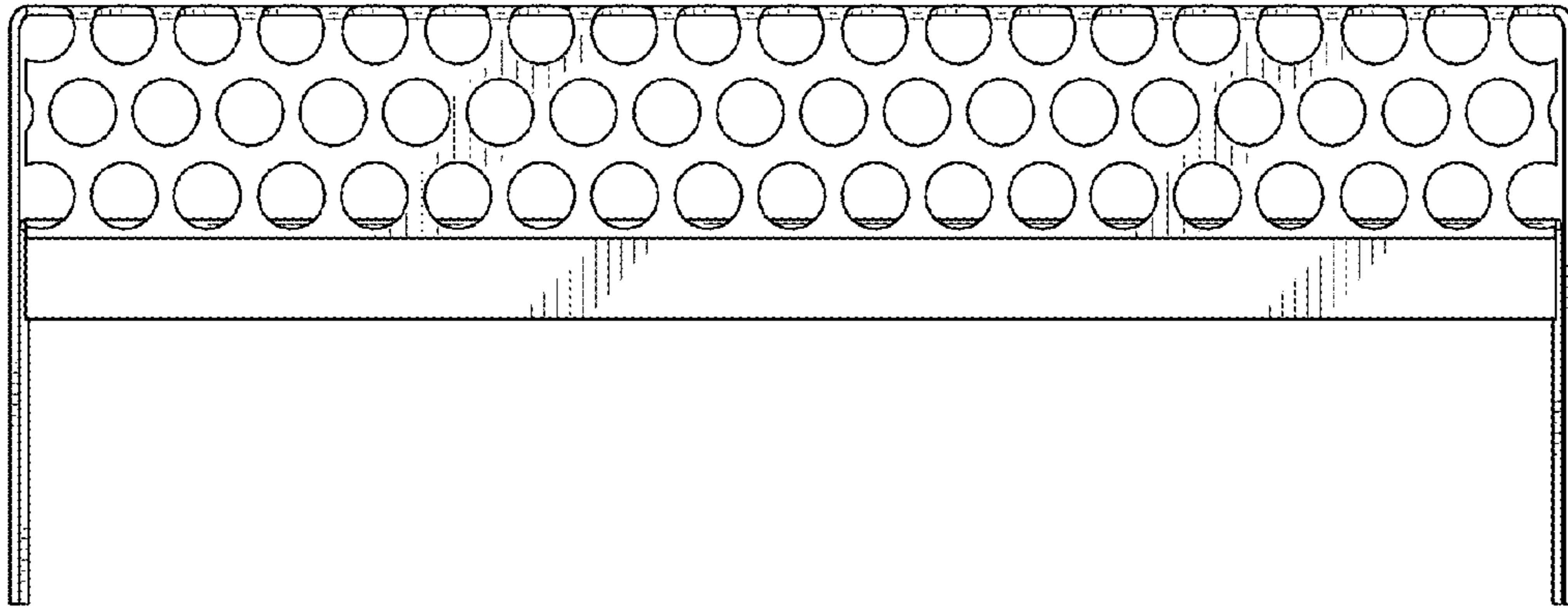


FIG. 4

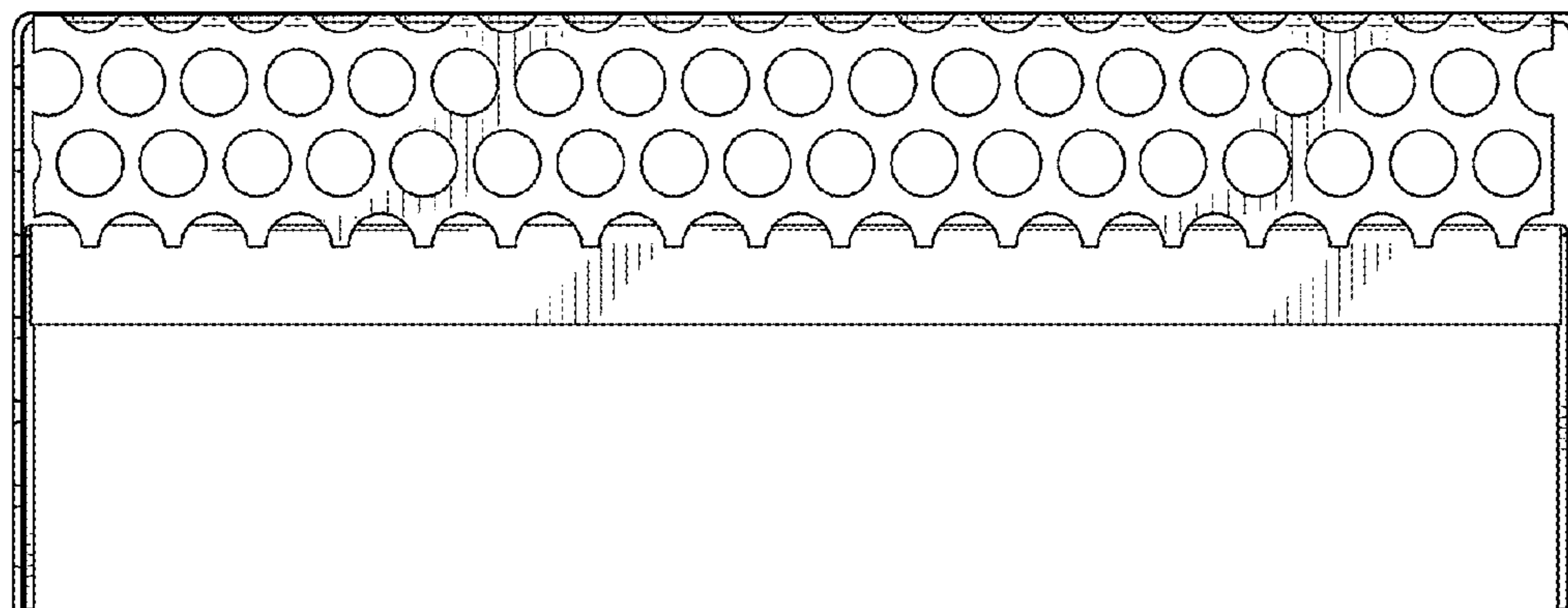


FIG. 5

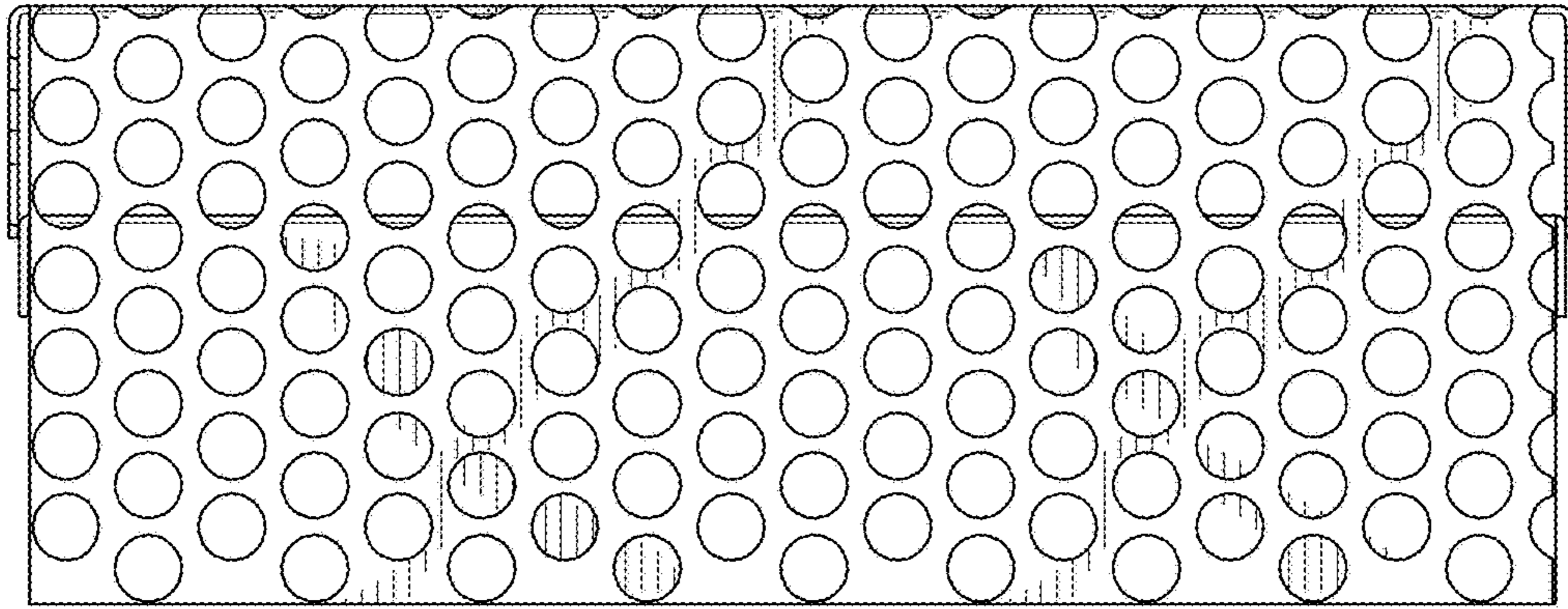


FIG. 6

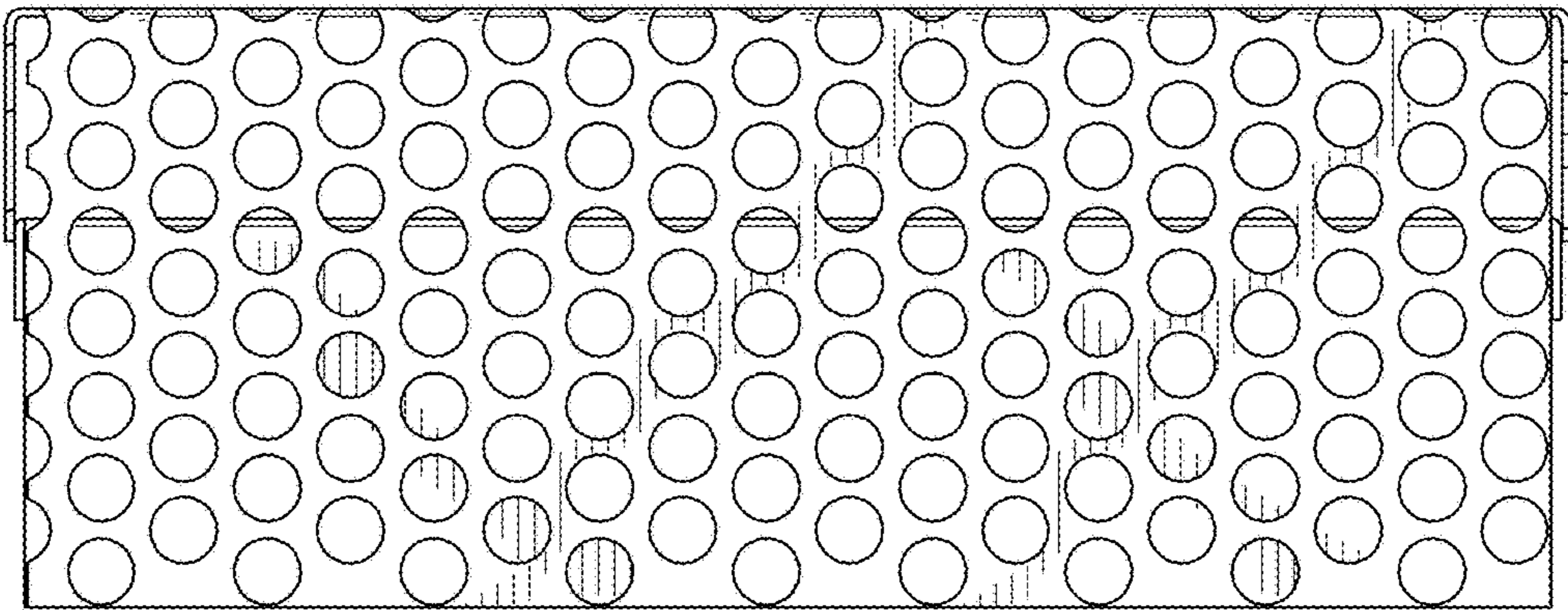


FIG. 7

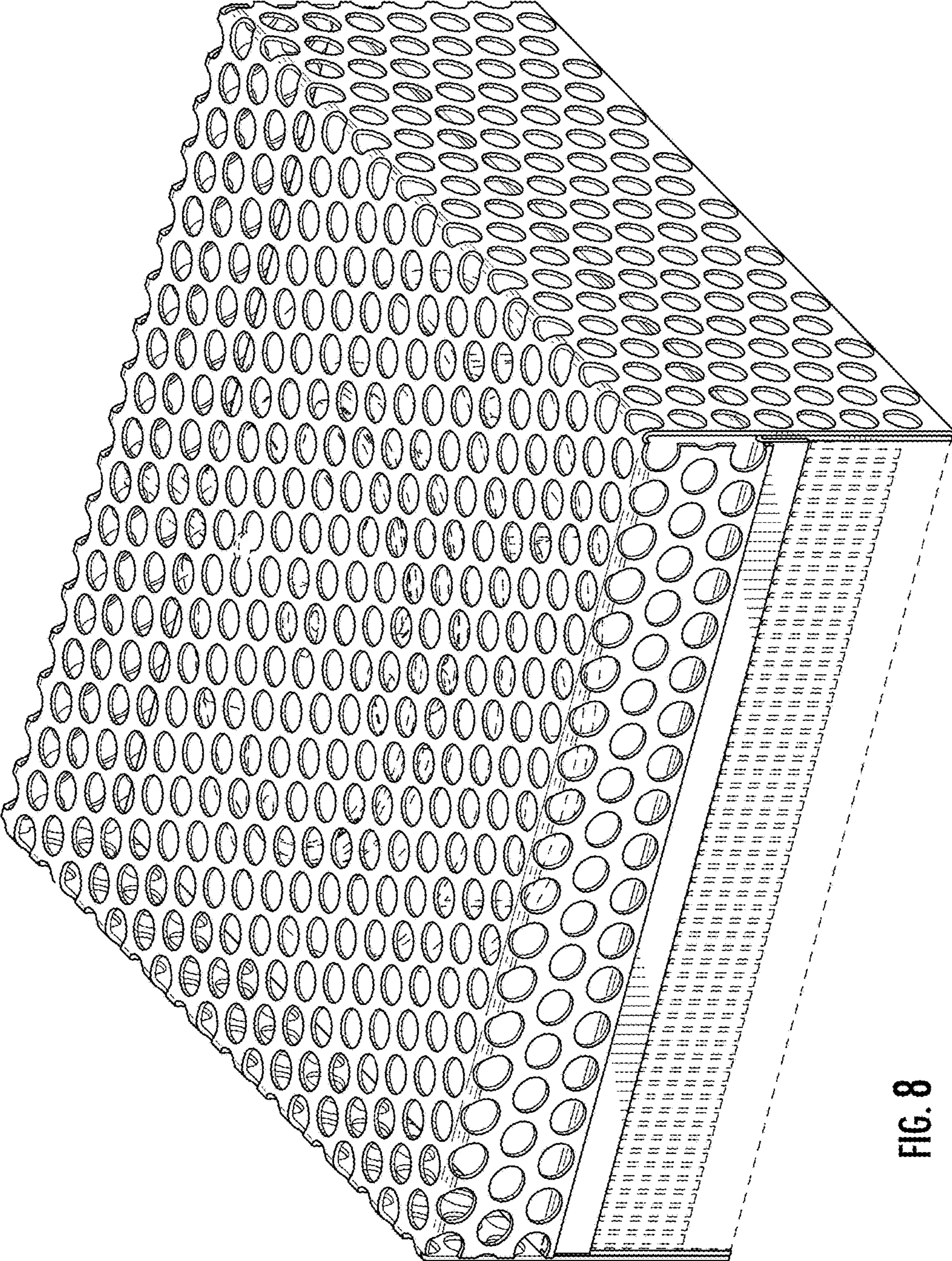


FIG. 8

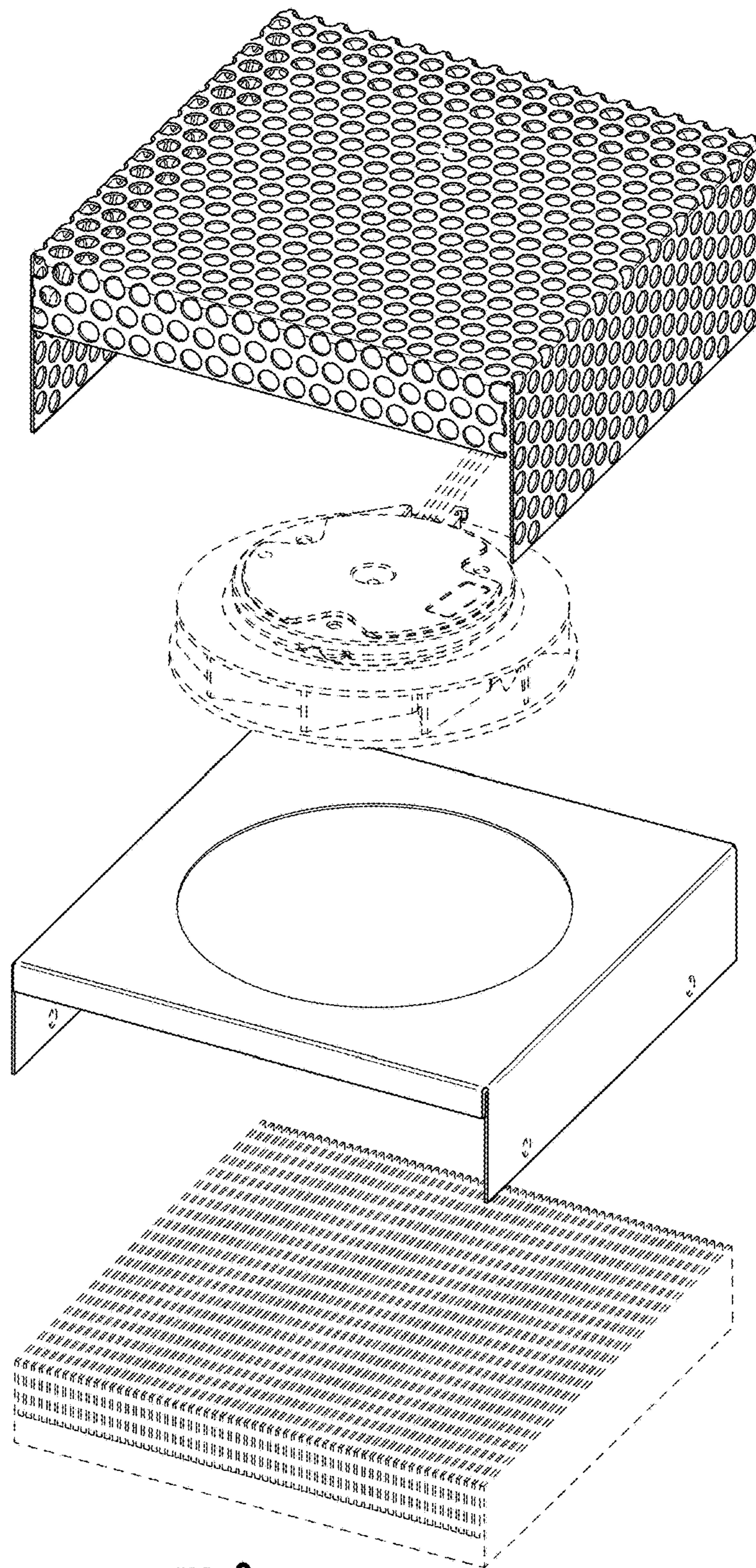


FIG. 9