



US00D856944S

(12) **United States Design Patent** (10) **Patent No.:** **US D856,944 S**
Azar et al. (45) **Date of Patent:** **** Aug. 20, 2019**

- (54) **FLUID MOVER ENCLOSURE** D490,382 S * 5/2004 Dugas D13/179
D512,697 S 12/2005 Enns et al.
(71) Applicant: **Advanced Thermal Solutions, Inc.,** D520,621 S * 5/2006 Moser, III D23/365
Norwood, MA (US) D531,965 S * 11/2006 Stathakis H01L 23/427
D13/179
(72) Inventors: **Kaveh Azar,** Quincy, MA (US); D536,675 S 2/2007 Millar et al.
Bahman Tavassoli-Hojati, Norton, MA D543,953 S * 6/2007 Dugas D13/179
(US) D553,170 S * 10/2007 Remsburg D15/199
D553,656 S * 10/2007 Reeves D15/199
(73) Assignee: **Advanced Thermal Solutions, Inc.,** D605,141 S * 12/2009 Jones D13/179
Norwood, MA (US) D624,677 S * 9/2010 Deguglimo D26/49
(Continued)

(**) Term: **15 Years**

Primary Examiner — Janice Hallmark
(74) *Attorney, Agent, or Firm* — Lieberman & Brandsdorfer, LLC

(21) Appl. No.: **29/678,904**

(22) Filed: **Jan. 31, 2019**

(57) **CLAIM**

(51) **LOC (12) Cl.** **13-03**

The ornamental design for a fluid mover enclosure, as shown and described.

(52) **U.S. Cl.**

USPC **D13/179**

(58) **Field of Classification Search**

USPC D13/179, 182, 180, 133; D15/199

CPC H01L 23/473; H01L 23/46; H01L 23/4735

See application file for complete search history.

DESCRIPTION

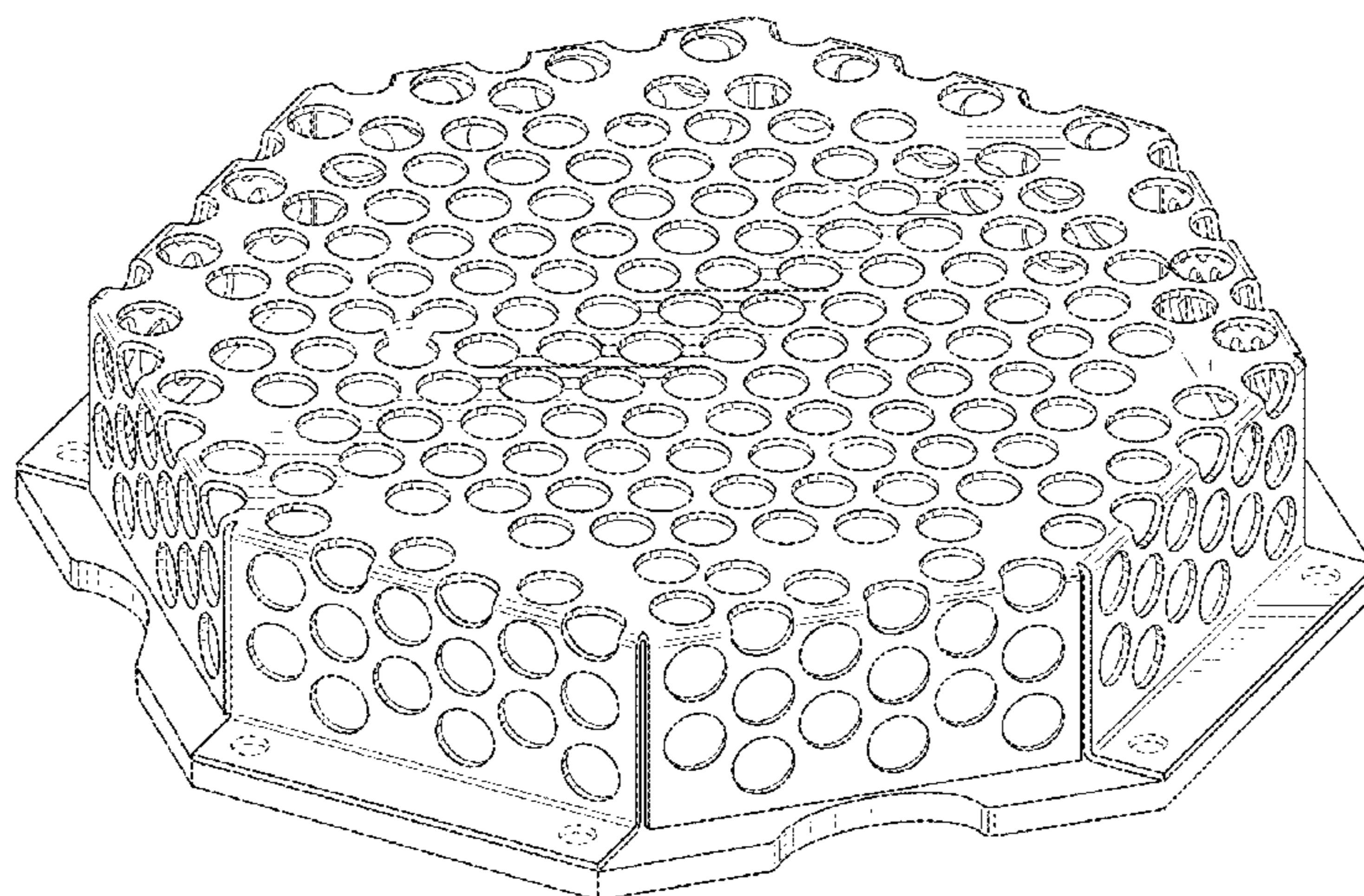
(56) **References Cited**

U.S. PATENT DOCUMENTS

D249,790 S 10/1978 Ainscow
D311,427 S * 10/1990 Banerjee D21/346
5,158,136 A * 10/1992 Azar F28F 1/124
165/185
D427,856 S * 7/2000 Sellers D7/624.1
6,305,955 B1 * 10/2001 Billman H01R 13/6485
439/138
6,351,394 B1 * 2/2002 Cunningham G02B 6/4277
174/375
D463,383 S 9/2002 Hwang
D478,055 S * 8/2003 Jing D13/179
D479,828 S * 9/2003 Dugas D13/179
D479,829 S * 9/2003 Dugas D13/179
6,628,512 B2 * 9/2003 Searby G06F 1/181
361/679.58
D482,008 S 11/2003 Petronio

FIG. 1 is a front perspective view of a fluid mover enclosure showing our new design;
FIG. 2 is a top plan view of the fluid mover enclosure shown in FIG. 1;
FIG. 3 is a bottom plan view of FIG. 1;
FIG. 4 is a right side view of FIG. 1;
FIG. 5 is a left side view of FIG. 1;
FIG. 6 is a front view of FIG. 1;
FIG. 7 is a back view of FIG. 1;
FIG. 8 is a perspective view of the fluid mover enclosure, wherein the enclosure is shown assembled within an environmental mounting; and,
FIG. 9 is a perspective view of the fluid mover enclosure, showing the environmental mounting exploded around the enclosure.
The broken lines illustrate environment and form no part of the claimed design.

1 Claim, 7 Drawing Sheets



(56)

References Cited

U.S. PATENT DOCUMENTS

| | | | |
|--------------|--------|-------------------|---------|
| D659,868 S * | 5/2012 | Deguglimo | D26/49 |
| D699,690 S * | 2/2014 | Hsu | D13/179 |
| D732,613 S * | 6/2015 | Davies, III | D21/680 |
| D777,266 S * | 1/2017 | Davies, III | D21/680 |
| D786,668 S * | 5/2017 | Cornaglia | D9/418 |
| D791,711 S * | 7/2017 | Holton | D13/152 |
| D812,022 S * | 3/2018 | Buchanan | D13/179 |
| D822,625 S * | 7/2018 | Tamura | D13/179 |

* cited by examiner

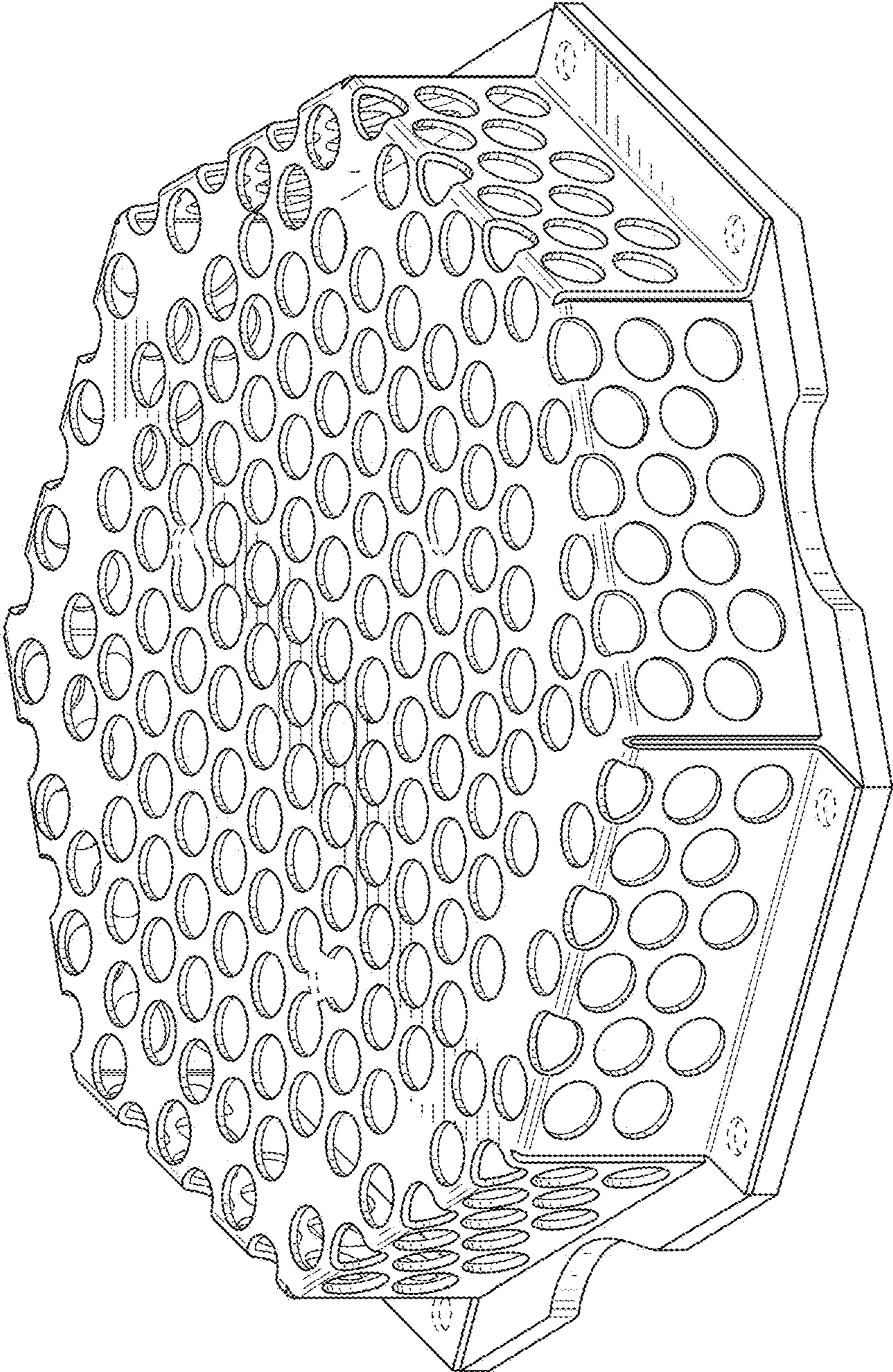


FIG. 1

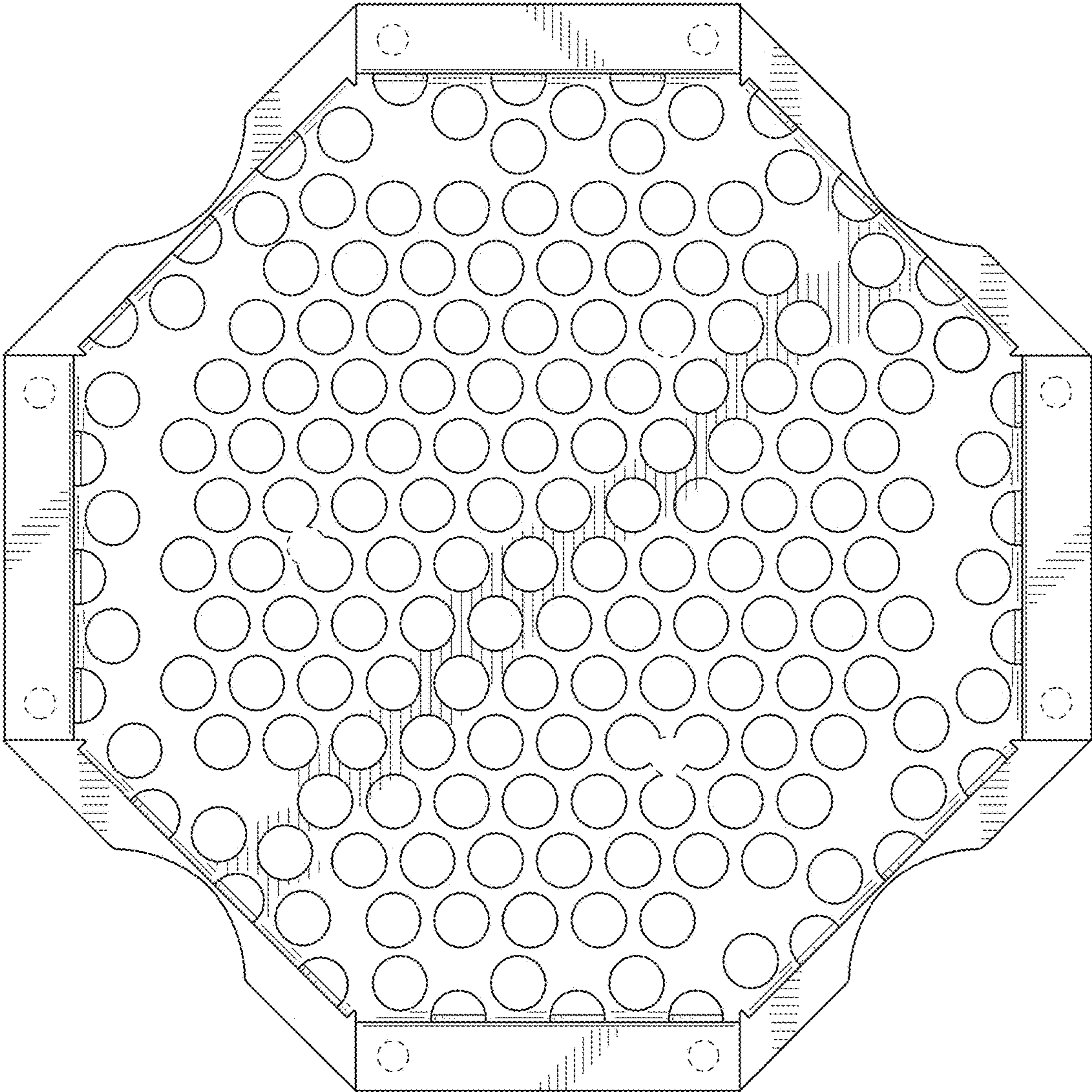


FIG. 2

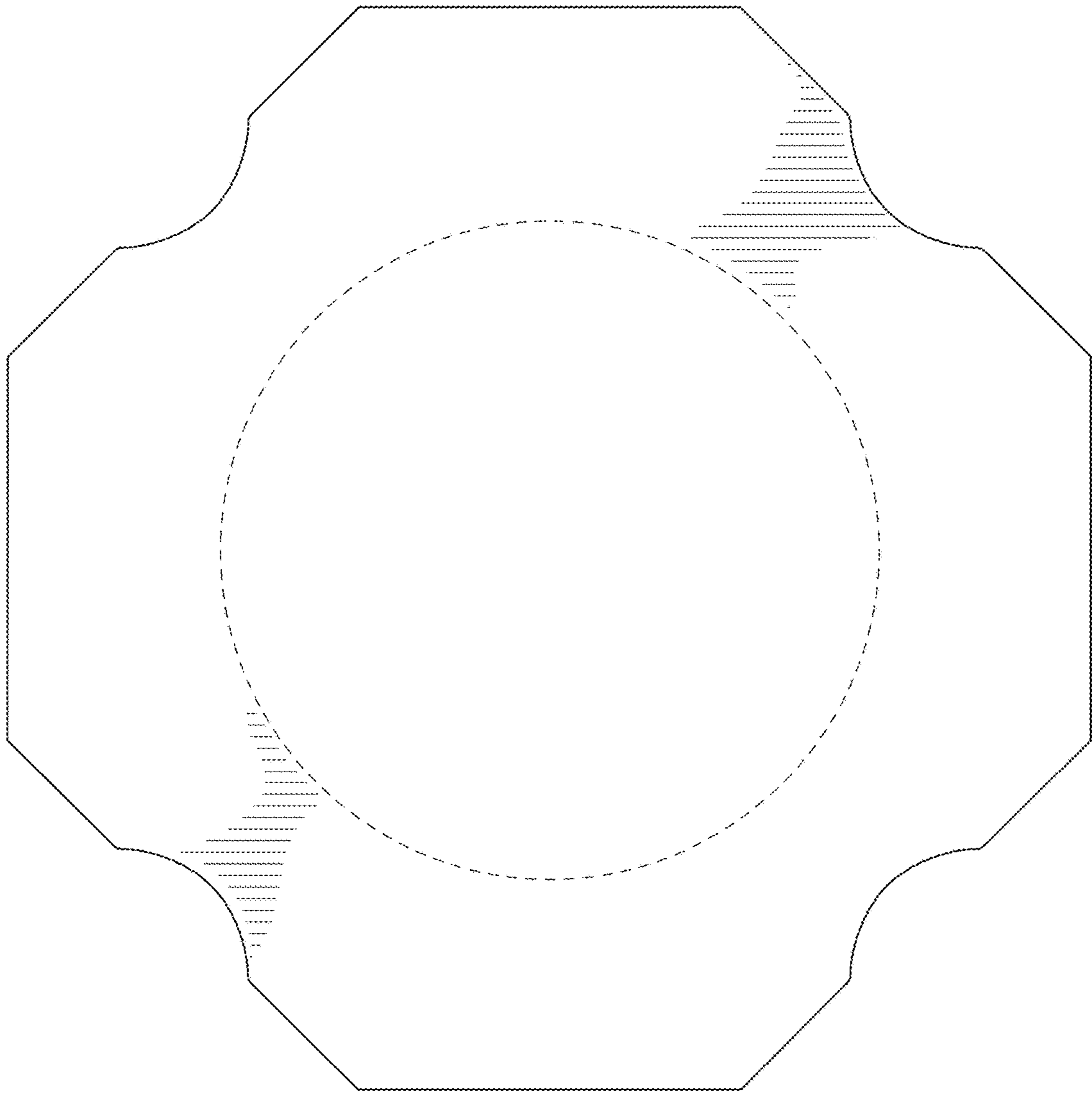


FIG. 3

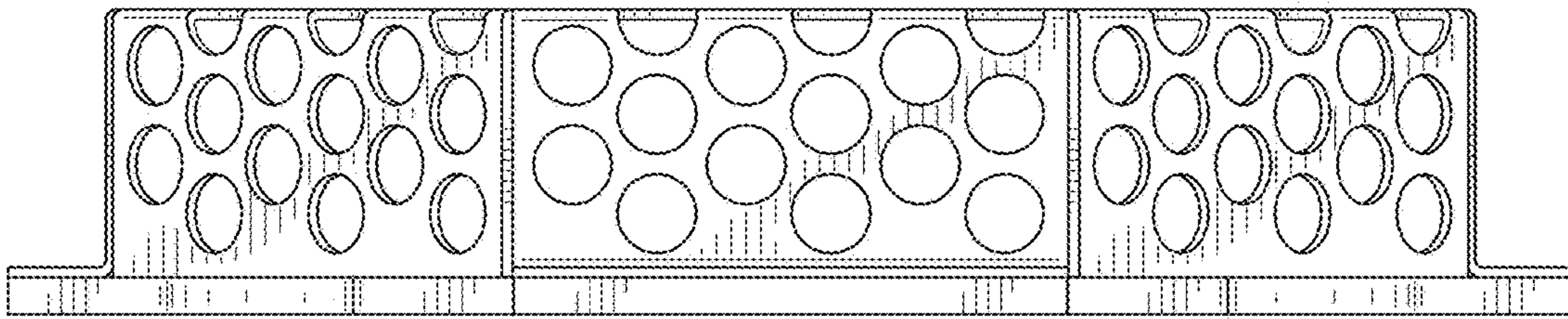


FIG. 4

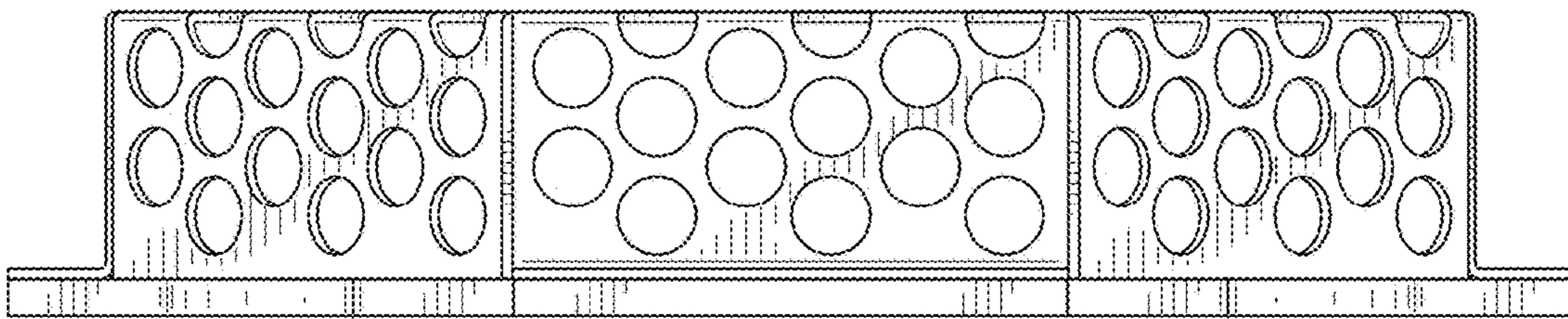


FIG. 5

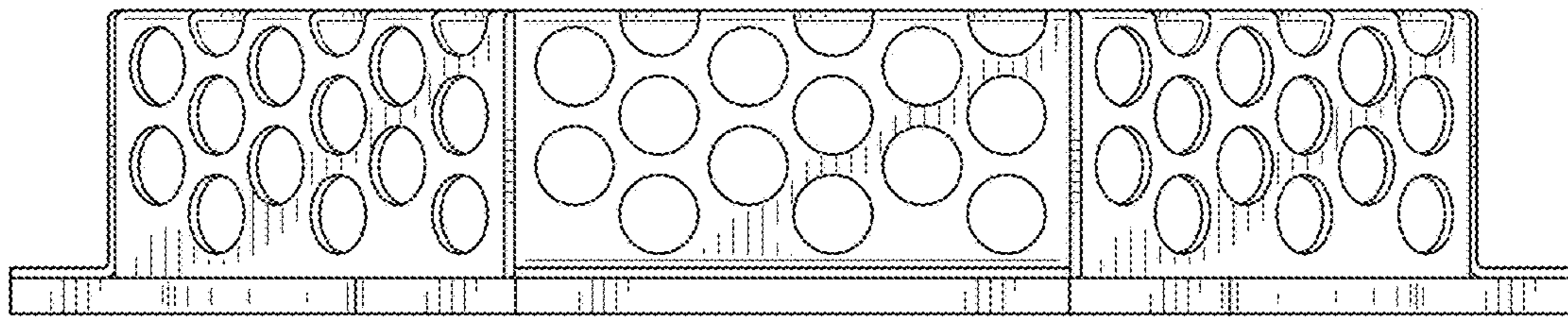


FIG. 6

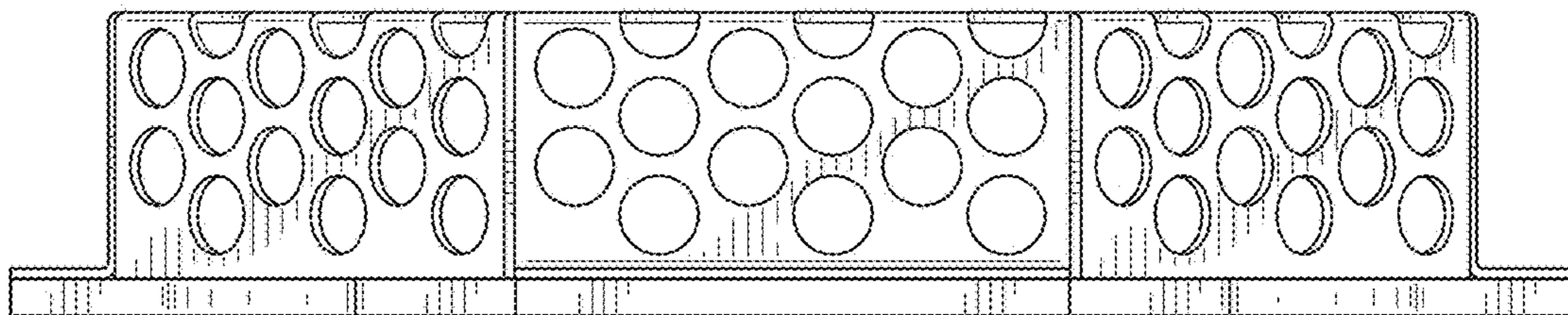


FIG. 7

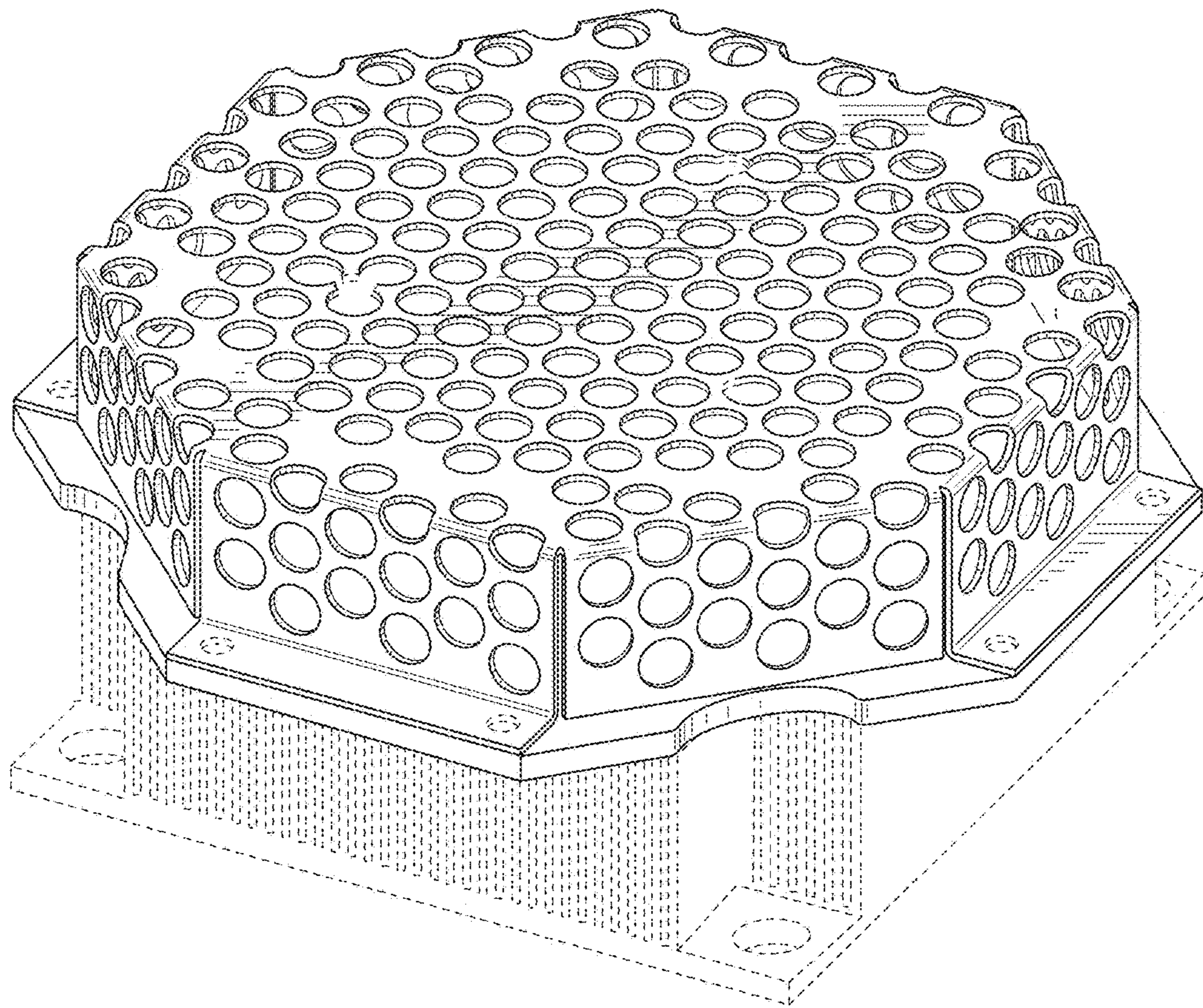


FIG. 8

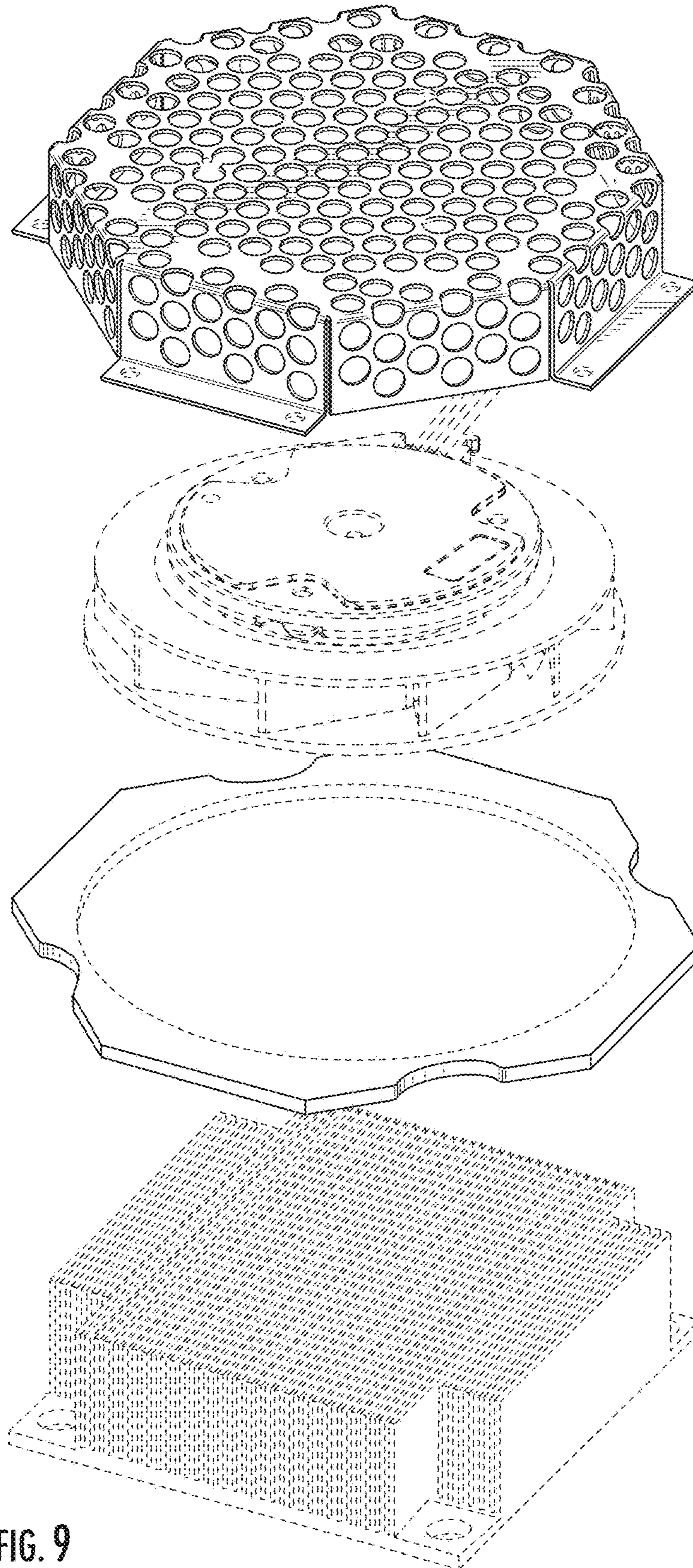


FIG. 9