

US00D856943S

(12) **United States Design Patent** (10) **Patent No.:** **US D856,943 S**
Gage et al. (45) **Date of Patent:** **** *Aug. 20, 2019**

(54) **KEYPAD**

(71) Applicant: **Lutron Technology Company LLC**,
Coopersburg, PA (US)
(72) Inventors: **Alexander Wade Gage**, Havertown, PA
(US); **Elliot G. Jacoby**, Glenside, PA
(US); **Jason C. Killo**, Emmaus, PA
(US); **Brad Michael Kreschollek**,
Bethlehem, PA (US); **Daniel Curtis**
Raneri, Bethlehem, PA (US)
(73) Assignee: **Lutron Technology Company LLC**,
Coopersburg, PA (US)

(*) Notice: This patent is subject to a terminal dis-
claimer.

(**) Term: **15 Years**

(21) Appl. No.: **29/643,552**

(22) Filed: **Apr. 10, 2018**

Related U.S. Application Data

(63) Continuation of application No. 29/590,669, filed on
Jan. 12, 2017, now Pat. No. Des. 817,284, which is a
continuation of application No. 29/536,792, filed on
Aug. 19, 2015, now Pat. No. Des. 779,445.

(51) **LOC (12) Cl.** **13-03**

(52) **U.S. Cl.**
USPC **D13/171**

(58) **Field of Classification Search**
USPC D13/162, 164, 171, 174
CPC G08C 17/02; H05B 33/0845; H05B 37/02;
H05B 37/0272; H05B 39/02; H05B
39/04; H05B 39/041; H05B 39/08; H05B
39/085

See application file for complete search history.

(56) **References Cited**

U.S. PATENT DOCUMENTS

D436,930 S	1/2001	Butler et al.
D453,742 S	2/2002	Butler et al.
D465,460 S	11/2002	Mayo et al.
D563,901 S	3/2008	Mayo et al.
D566,048 S	4/2008	Mace et al.
D566,658 S	4/2008	Mayo et al.
D568,828 S	5/2008	Mayo et al.
D570,299 S	6/2008	Jacoby et al.
D572,202 S	7/2008	Jacoby et al.
D572,208 S	7/2008	Mayo et al.
D572,667 S	7/2008	Mayo et al.
D573,956 S	7/2008	Hollner et al.
7,641,491 B2	1/2010	Altonen et al.
D624,881 S	10/2010	Altonen et al.

(Continued)

OTHER PUBLICATIONS

Lightolier, Specification Sheet for iGen DALI 4-Button Scene
Controller Model No. DA-WS4SS-7, 2007, 2 pages.

(Continued)

Primary Examiner — Selina Sikder

(74) *Attorney, Agent, or Firm* — Saidman DesignLaw
Group, LLC

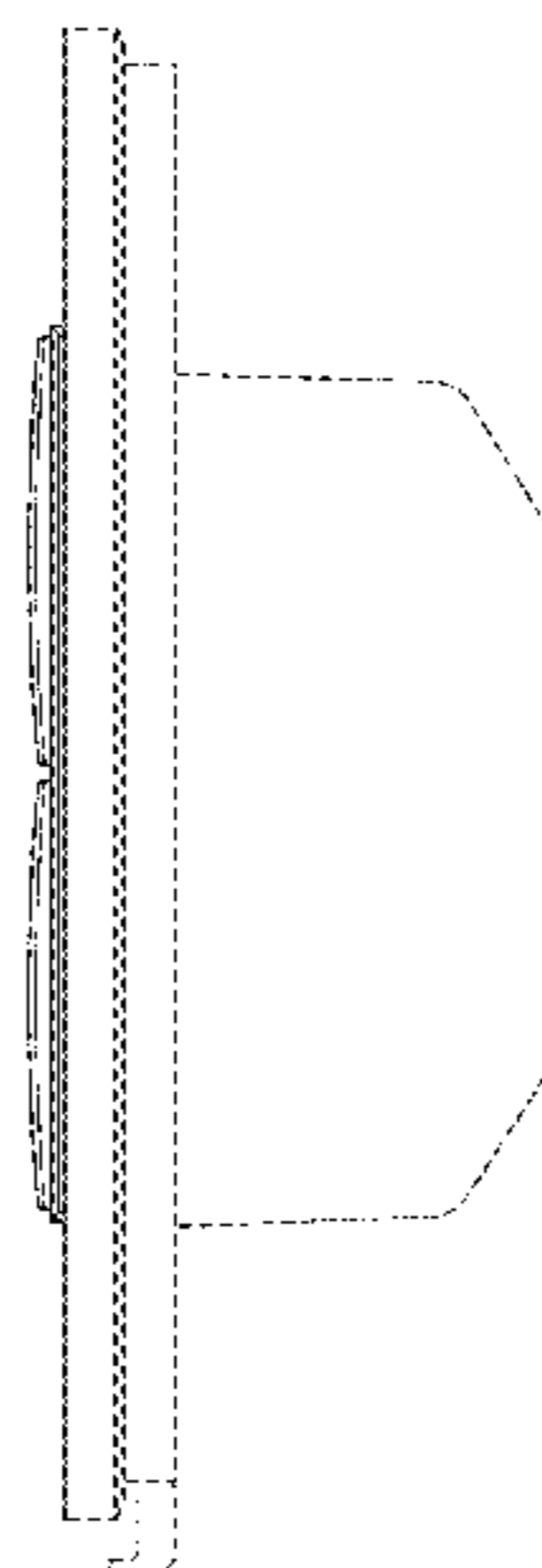
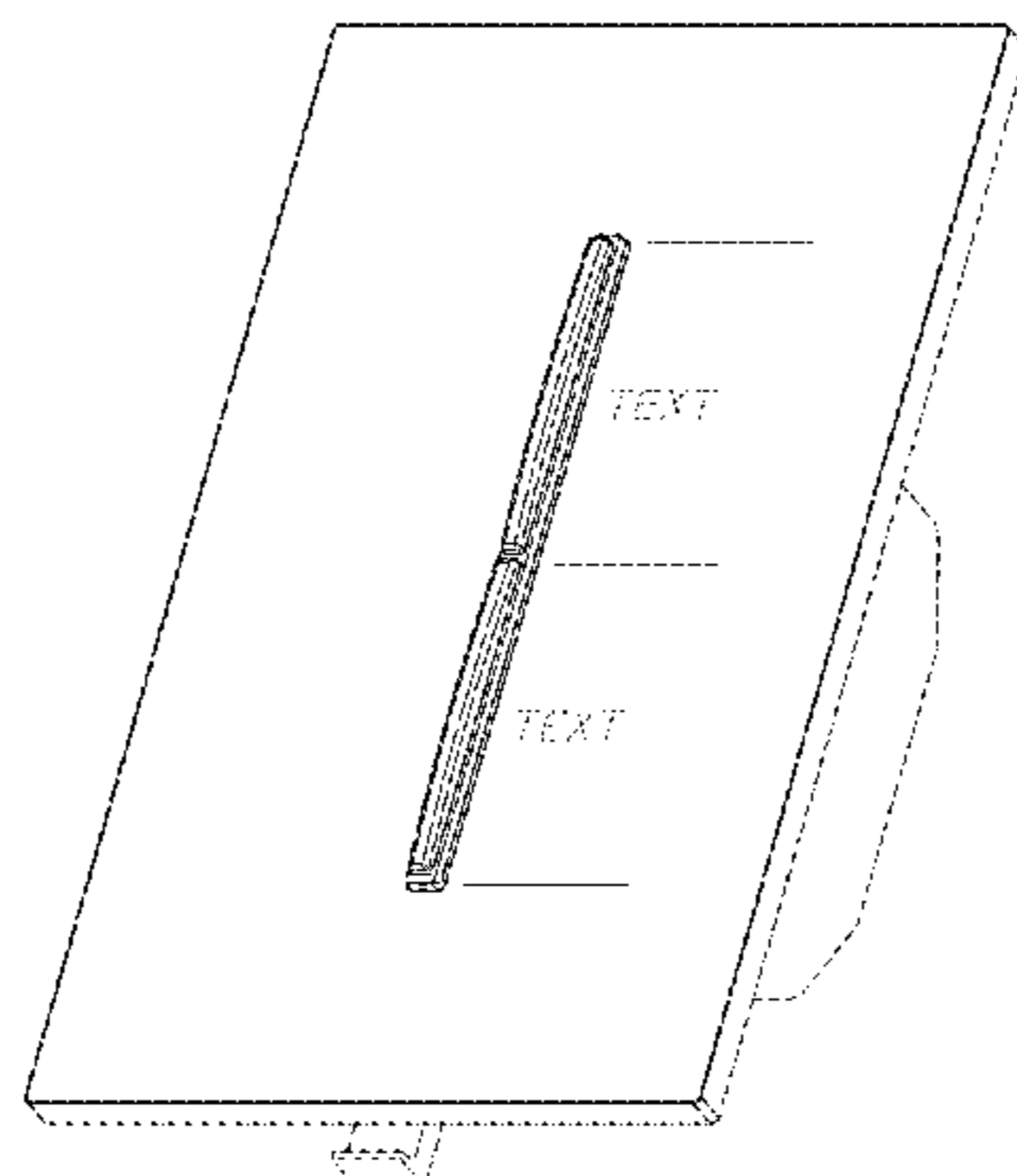
(57) **CLAIM**

The ornamental design for a keypad, as shown and
described.

DESCRIPTION

FIG. 1 is a front perspective view of a keypad showing our
new design;
FIG. 2 is a front view thereof;
FIG. 3 is a left side view thereof;
FIG. 4 is a right side view thereof;
FIG. 5 is a top view thereof; and,
FIG. 6 is a bottom view thereof.

(Continued)



The dashed broken lines represent structure or features which form no part of the claimed design; the broken lines themselves form no part of the claimed design.

1 Claim, 4 Drawing Sheets

(56)

References Cited

U.S. PATENT DOCUMENTS

D624,882 S	10/2010	Altonen et al.	
7,872,429 B2	1/2011	Steiner et al.	
D678,850 S	3/2013	Wisniewski et al.	
D705,179 S	5/2014	Wisniewski et al.	
9,167,666 B1	10/2015	Billheimer et al.	
9,389,769 B1	7/2016	O’Keeffe	
D770,393 S	11/2016	Jacoby et al.	
D775,975 S	1/2017	Jacoby et al.	
D779,445 S *	2/2017	Gage	D13/174
D780,133 S *	2/2017	Gage	D13/174
D780,702 S *	3/2017	Gage	D13/174
D784,272 S *	4/2017	Gage	D13/171
D784,273 S *	4/2017	Gage	D13/171
D784,274 S *	4/2017	Gage	D13/171
D784,275 S *	4/2017	Gage	D13/171
D792,859 S *	7/2017	Gage	D13/171

D793,348 S *	8/2017	Gage	D13/171
D793,349 S *	8/2017	Gage	D13/171
D813,828 S	3/2018	Jacoby et al.	
D817,284 S *	5/2018	Gage	D13/174
D820,794 S *	6/2018	Gage	D13/171
D820,795 S *	6/2018	Gage	D13/171
D820,796 S *	6/2018	Gage	D13/174
D821,335 S *	6/2018	Gage	D13/171
D821,336 S *	6/2018	Gage	D13/174
2007/0216318 A1	9/2007	Altonen et al.	
2007/0272532 A1	11/2007	Pessina et al.	
2007/0291010 A1	12/2007	Altonen et al.	
2008/0258644 A1	10/2008	Altonen et al.	
2009/0184652 A1	7/2009	Bollinger, Jr. et al.	
2016/0035217 A1	2/2016	Camden et al.	

OTHER PUBLICATIONS

Inncom, GS-700 Family Glass Series Switches Sell Sheet, Nov. 2008, 2 pages.
 U.S. Appl. No. 29/447,481, filed Mar. 4, 2013. (Unpublished).
 U.S. Appl. No. 29/447,485, filed Mar. 4, 2013. (Unpublished).
 U.S. Appl. No. 29/536,805, filed Aug. 19, 2015. (Unpublished).
 U.S. Appl. No. 29/536,796, filed Aug. 19, 2015. (Unpublished).
 U.S. Appl. No. 29/536,807, filed Aug. 19, 2015. (Unpublished).
 U.S. Appl. No. 29/536,808, filed Aug. 19, 2015. (Unpublished).

* cited by examiner

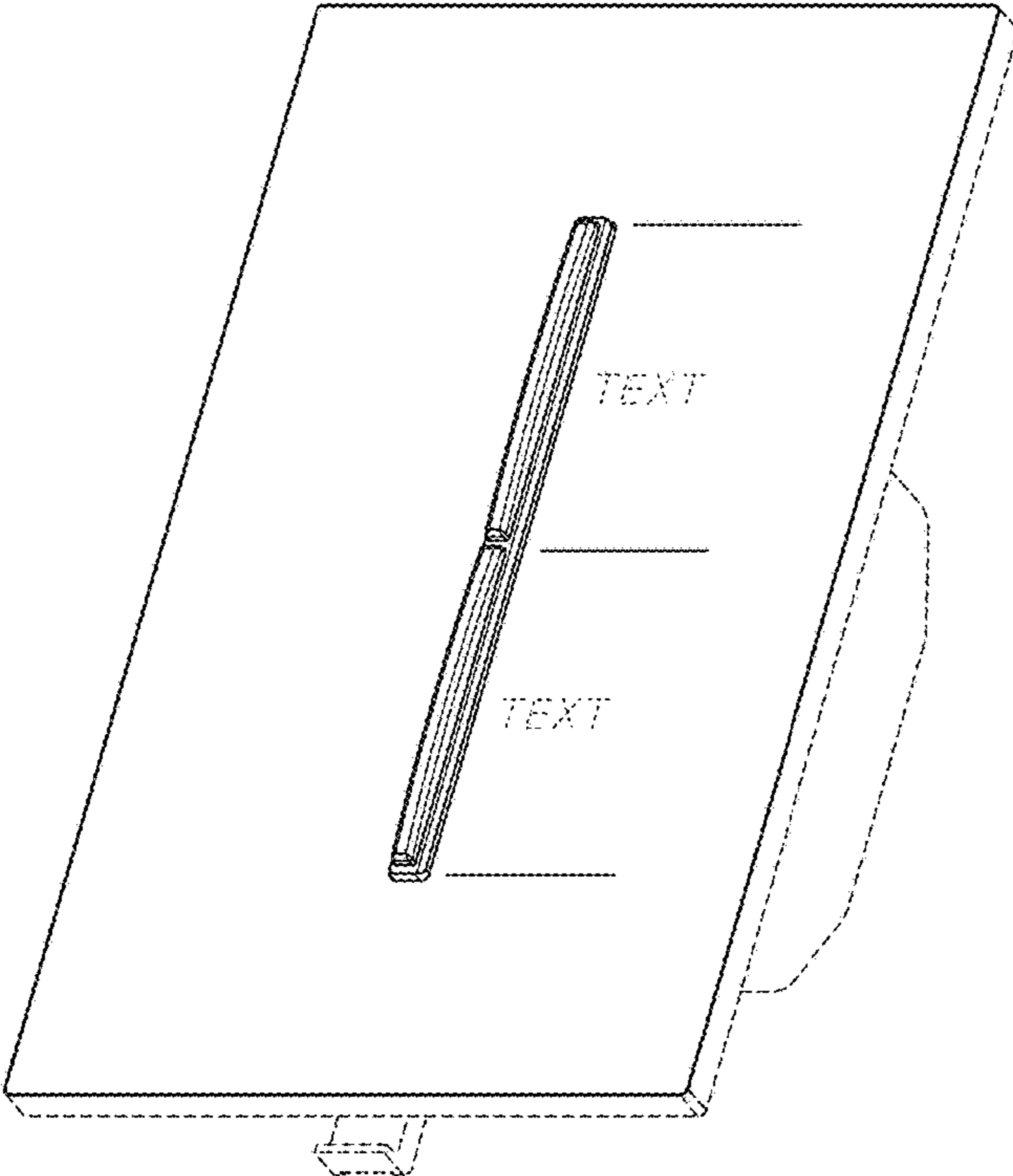


FIG. 1

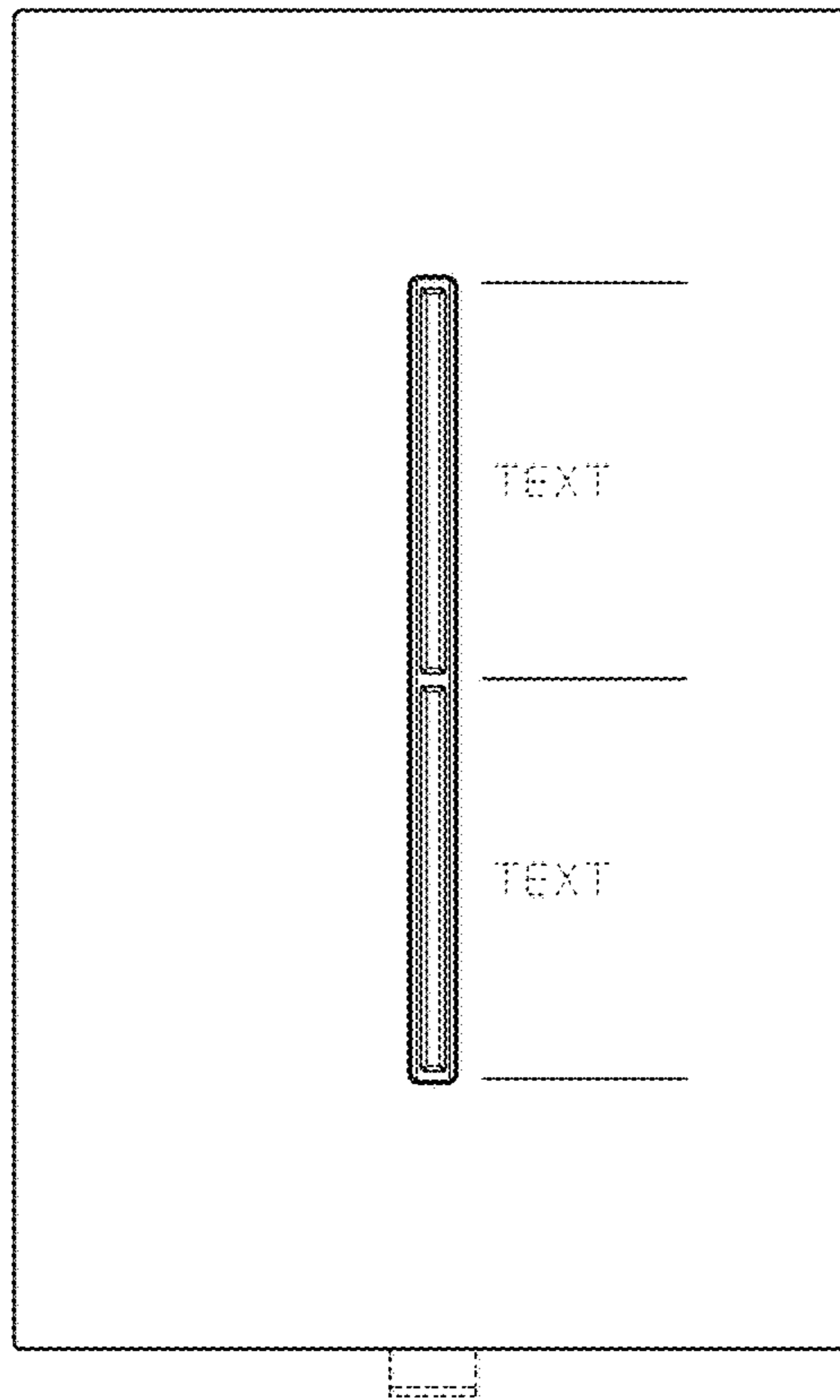


FIG. 2

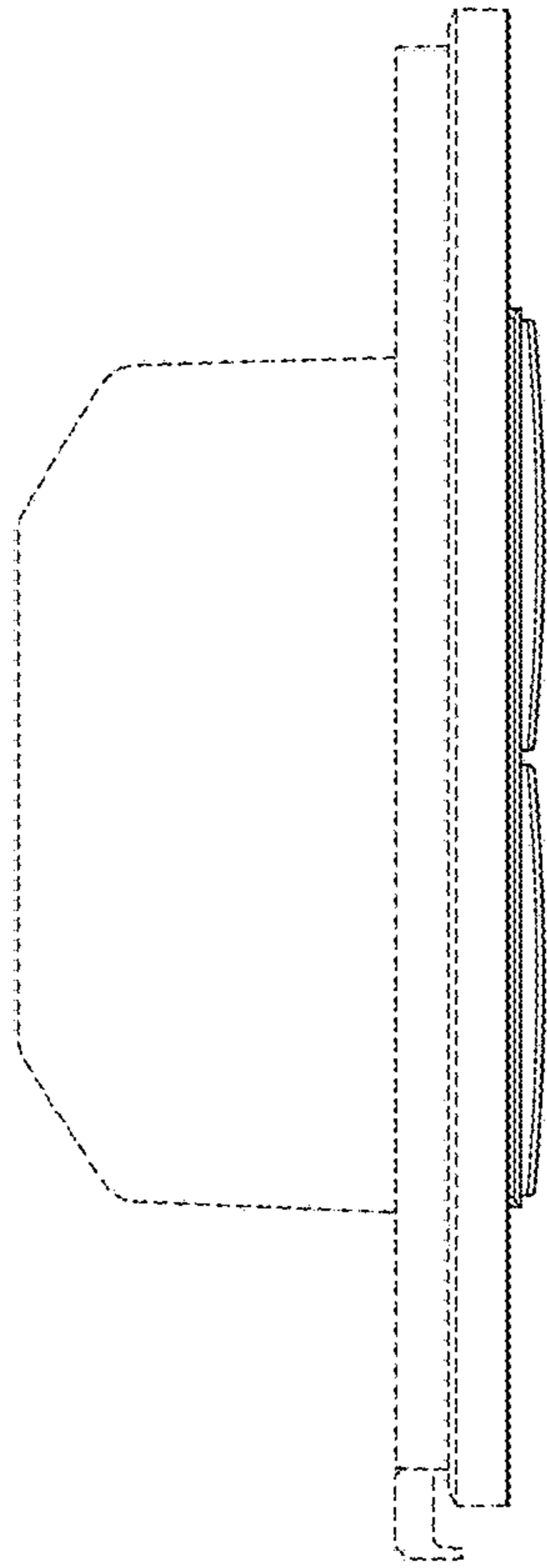


FIG. 3

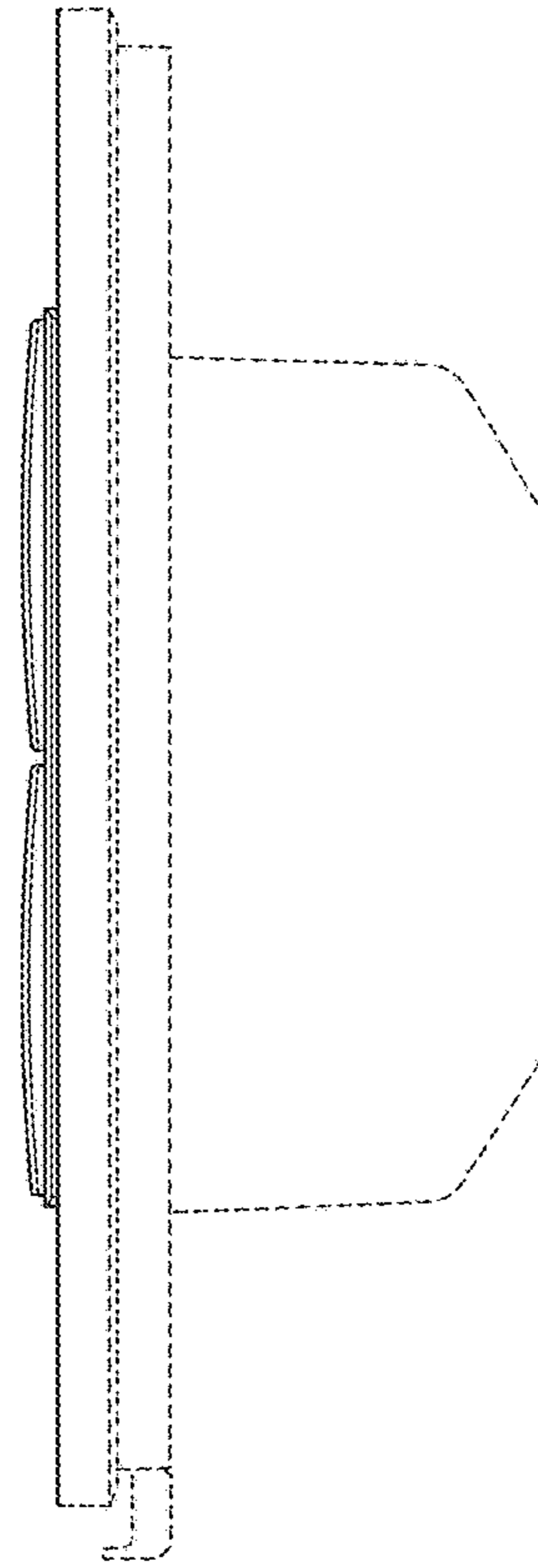


FIG. 4

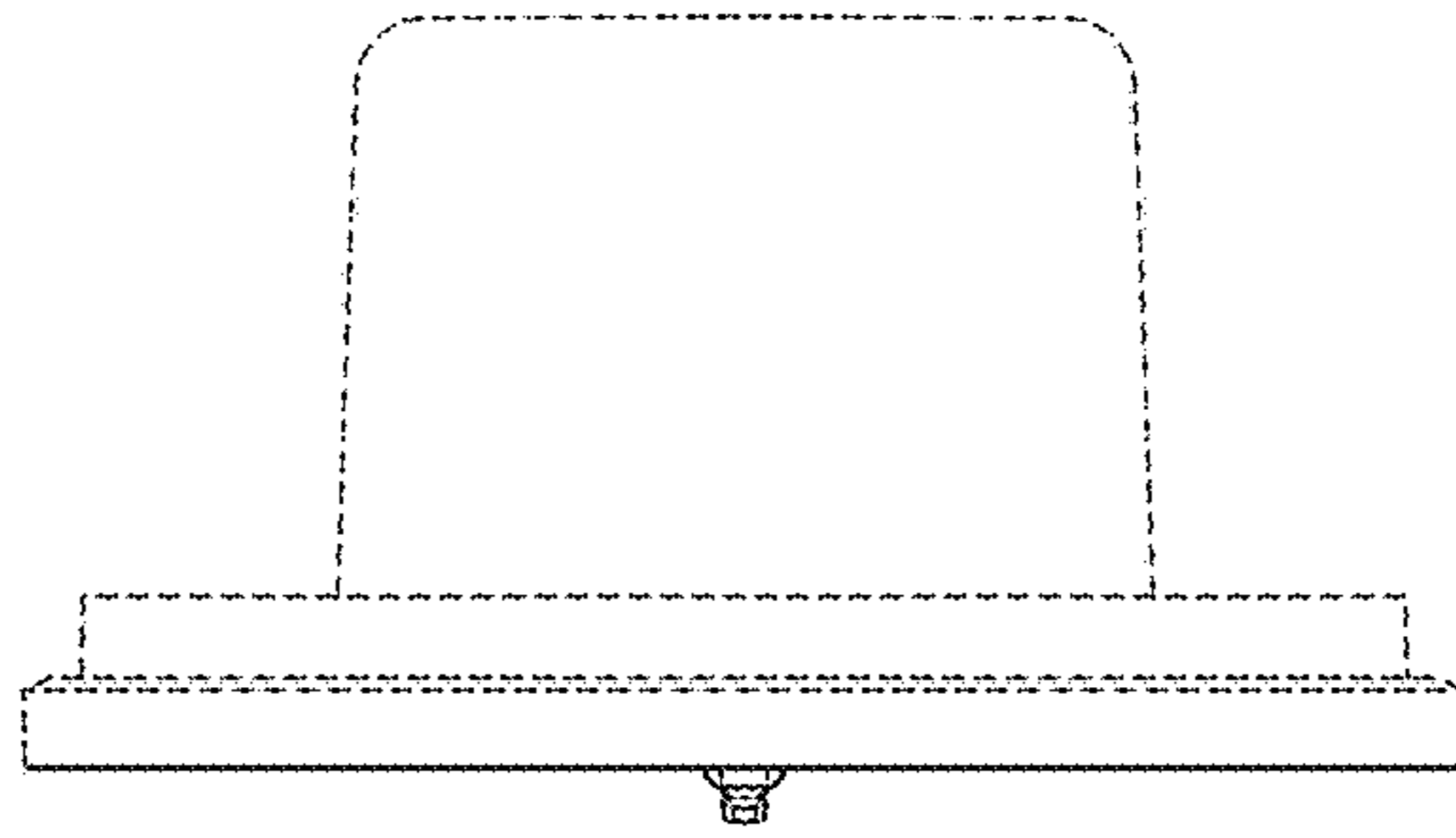


FIG. 5

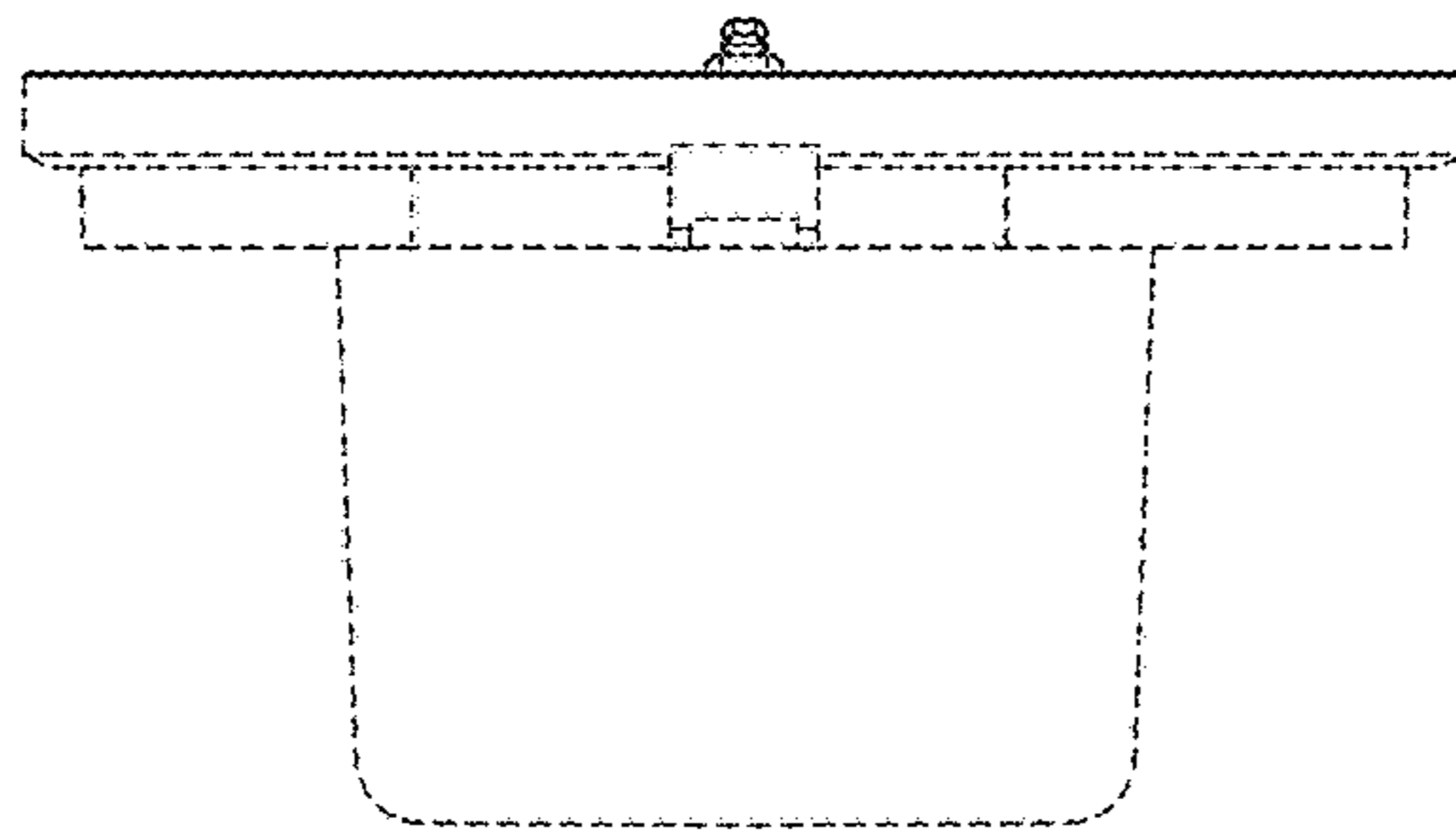


FIG. 6