



US00D856942S

(12) **United States Design Patent**  
**Chen et al.**

(10) **Patent No.:** **US D856,942 S**

(45) **Date of Patent:** **\*\* Aug. 20, 2019**

(54) **SMART SPRINKLER CONTROLLER**

(71) Applicant: **HANGZHOU LIANLUO INTERACTIVE INFORMATION TECHNOLOGY CO., LTD.**, Hangzhou, Zhejiang (CN)

(72) Inventors: **Li Chen**, Hangzhou (CN); **Hanmu Qi**, Hangzhou (CN); **Daodong Zhang**, Hangzhou (CN); **Shaolu Liu**, Hangzhou (CN); **Hongjing Wang**, Hangzhou (CN)

(73) Assignee: **HANGZHOU LIANLUO INTERACTIVE INFORMATION TECHNOLOGY CO., LTD.**, Hangzhou, Zhejiang (CN)

(\*\*) Term: **15 Years**

(21) Appl. No.: **29/635,806**

(22) Filed: **Feb. 2, 2018**

(30) **Foreign Application Priority Data**

Dec. 12, 2017 (CN) ..... 2017 3 0629599

(51) **LOC (12) Cl.** ..... **14-03**

(52) **U.S. Cl.**  
USPC ..... **D13/168**

(58) **Field of Classification Search**  
USPC ..... D13/162, 168, 184; D14/125, 218, 240, D14/242, 358  
CPC .... A01G 25/16; A01G 25/165; A01G 25/167; A01G 27/003; G05B 15/02; G05B 19/02; G05B 19/04; G05B 19/042  
See application file for complete search history.

(56) **References Cited**

**U.S. PATENT DOCUMENTS**

D223,304 S \* 4/1972 Doggart ..... D10/118  
D223,924 S \* 6/1972 Adelson ..... D13/171

D233,892 S \* 12/1974 Kay ..... D13/171  
D255,667 S \* 7/1980 Perjo ..... D10/108  
D294,231 S \* 2/1988 Cameron, Jr. .... D10/106.6  
D301,136 S \* 5/1989 Saito ..... D13/171  
D305,022 S \* 12/1989 Hallgren ..... D13/171  
D311,383 S \* 10/1990 Falck ..... D10/103  
D387,453 S \* 12/1997 Protzek ..... D26/39  
D493,907 S \* 8/2004 Benensohn ..... D26/89  
D510,566 S \* 10/2005 Johanneck ..... D13/171  
D518,002 S \* 3/2006 Johanneck ..... D13/171  
D632,265 S \* 2/2011 Choi ..... D13/168  
D650,760 S \* 12/2011 Hussell ..... D13/180  
D657,784 S \* 4/2012 Akana ..... D14/314  
D658,603 S \* 5/2012 Egawa ..... D13/180  
D684,148 S \* 6/2013 Sei ..... D14/240  
D689,451 S \* 9/2013 Shimonishi ..... D13/180  
D715,228 S \* 10/2014 Lee ..... D13/158

(Continued)

*Primary Examiner* — Selina Sikder

(74) *Attorney, Agent, or Firm* — Baker & Hostetler LLP

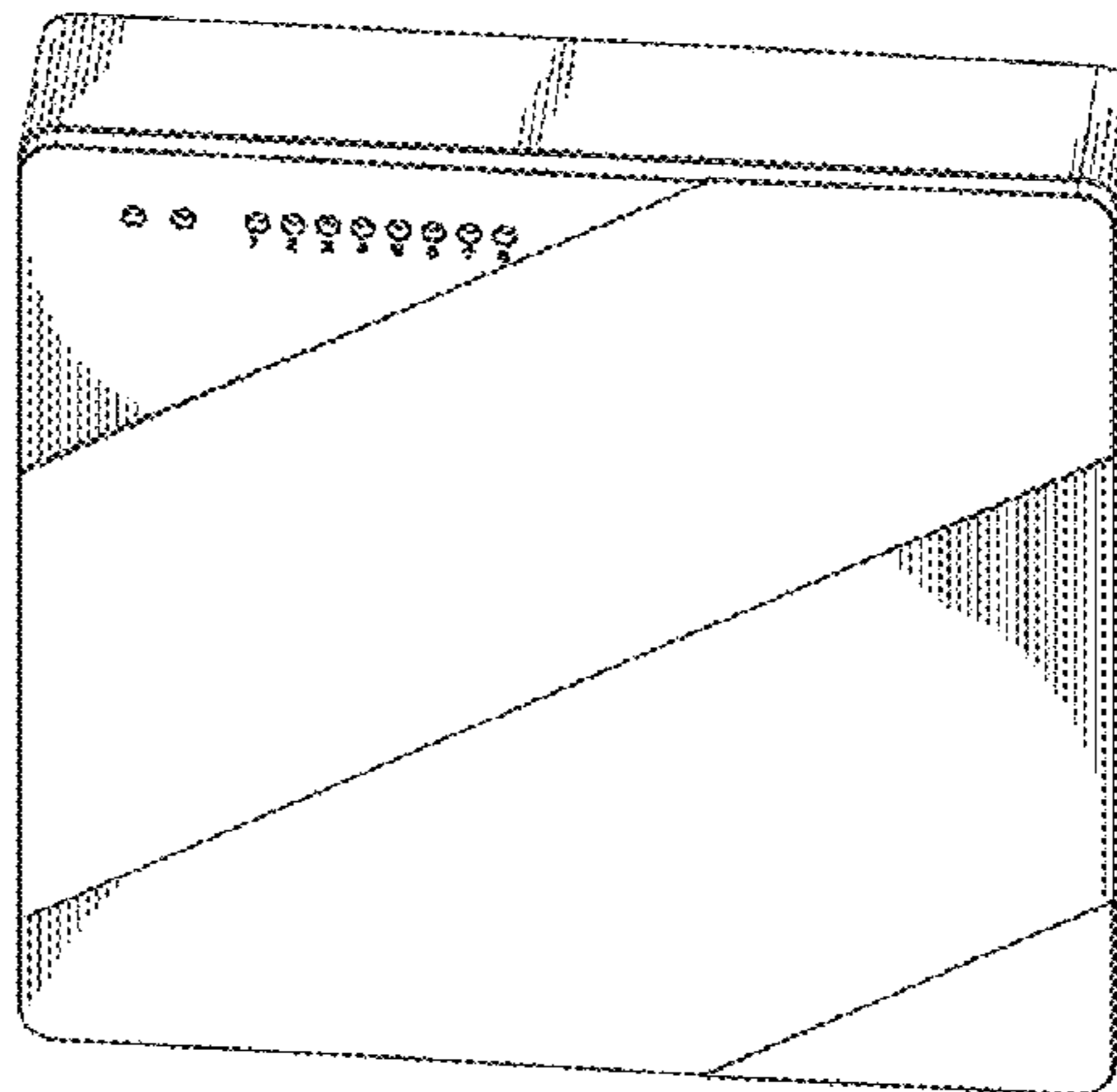
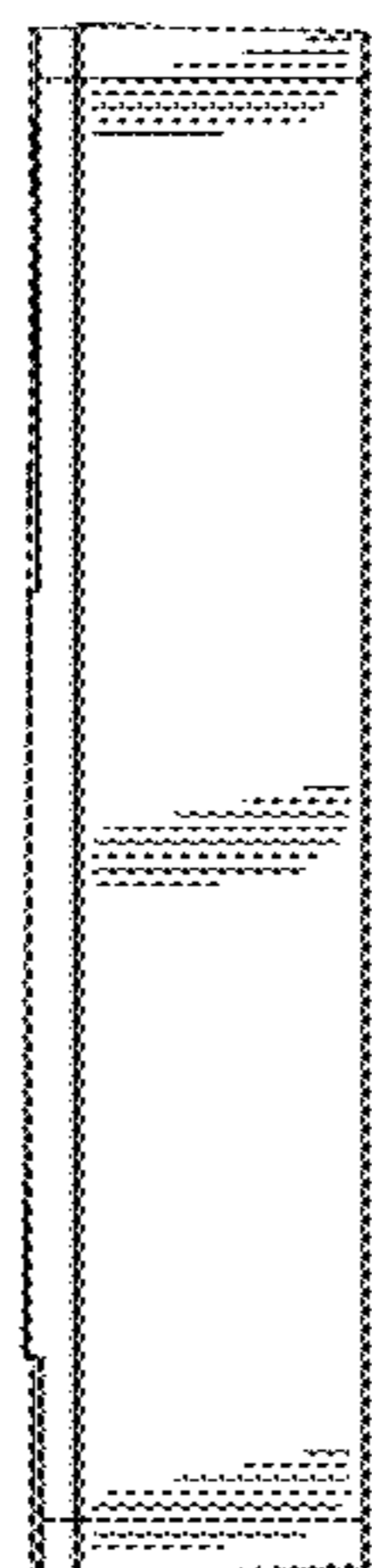
(57) **CLAIM**

We claim the ornamental design for smart sprinkler controller, as shown and described.

**DESCRIPTION**

FIG. 1 is the front view for smart sprinkler controller, showing my new design.  
FIG. 2 is the rear view for smart sprinkler controller, showing my new design.  
FIG. 3 is the left-side view for smart sprinkler controller, showing my new design.  
FIG. 4 is the right-side view for smart sprinkler controller, showing my new design.  
FIG. 5 is the top view for smart sprinkler controller, showing my new design.  
FIG. 6 is the bottom view for smart sprinkler controller, showing my new design; and,  
FIG. 7 is the perspective view for smart sprinkler controller, showing my new design.

**1 Claim, 5 Drawing Sheets**



(56)

**References Cited**

U.S. PATENT DOCUMENTS

D724,462	S *	3/2015	Bould	.....	D10/106.2
D725,088	S *	3/2015	Kwak	.....	D14/240
D728,489	S *	5/2015	Eriksen	.....	D13/168
D729,773	S *	5/2015	Salojarvi	.....	D14/218
D743,954	S *	11/2015	Chuang	.....	D13/168
D746,166	S *	12/2015	Li	.....	D10/104.1
D764,460	S *	8/2016	Veja	.....	D14/358
D766,844	S *	9/2016	Turksu	.....	D10/104.1
D768,114	S *	10/2016	Hou	.....	D13/168
D785,608	S *	5/2017	Weaver	.....	D14/240
D806,657	S *	1/2018	Russo	.....	D13/168
D807,841	S *	1/2018	Lee	.....	D14/125
D811,392	S *	2/2018	Lu	.....	D14/358
D812,577	S *	3/2018	Turksu	.....	D13/168
D821,995	S *	7/2018	Wang	.....	D14/125
D827,614	S *	9/2018	Kass	.....	D14/218
2011/0315533	A1 *	12/2011	Chu	.....	H01H 13/023 200/345
2013/0126322	A1 *	5/2013	Heiskanen	.....	H01H 13/14 200/341
2015/0362668	A1 *	12/2015	McDonald	.....	G02B 6/0096 362/555
2016/0029147	A1 *	1/2016	Chiao	.....	H04B 5/0031 455/41.1

\* cited by examiner

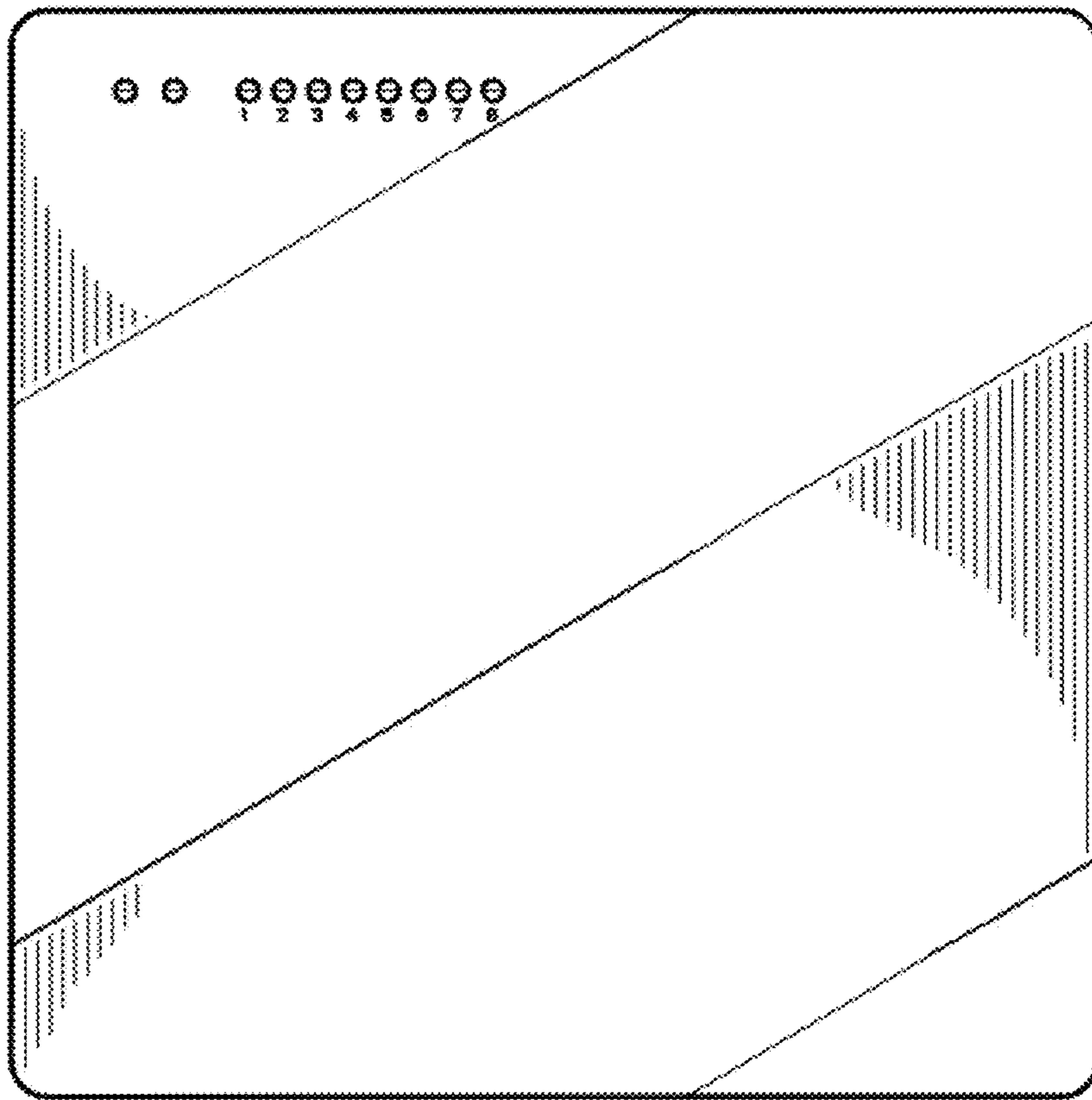


FIG. 1

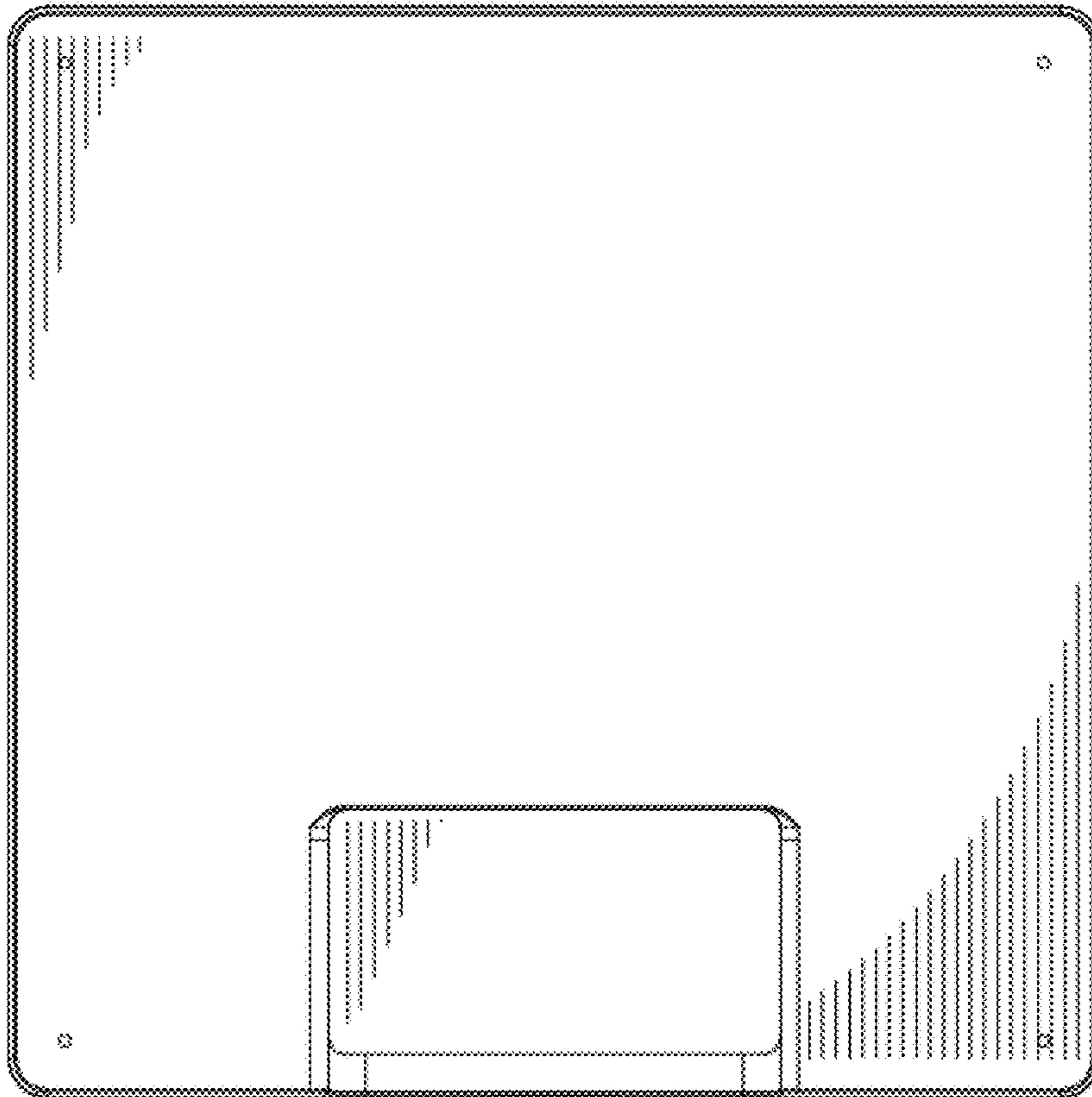


FIG.2

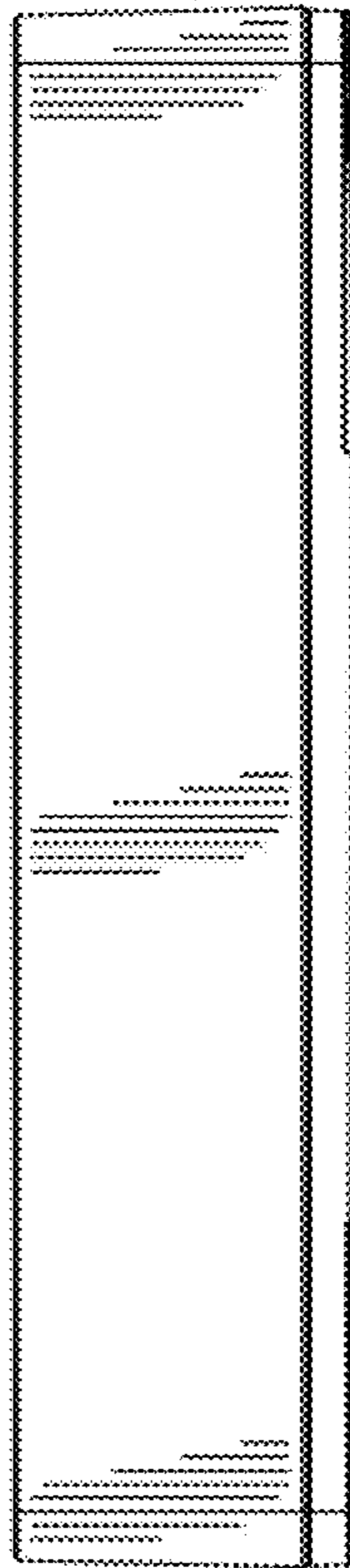


FIG.3

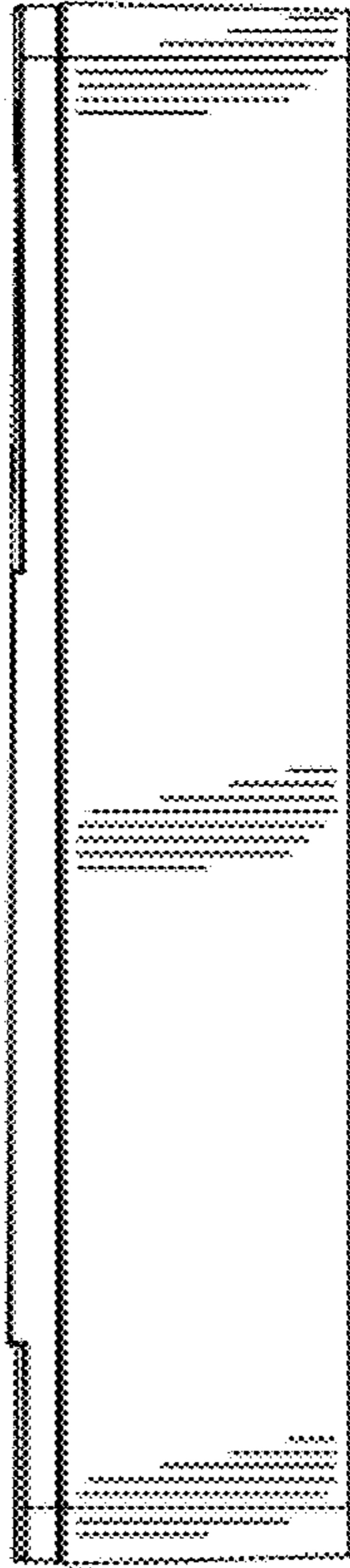


FIG. 4

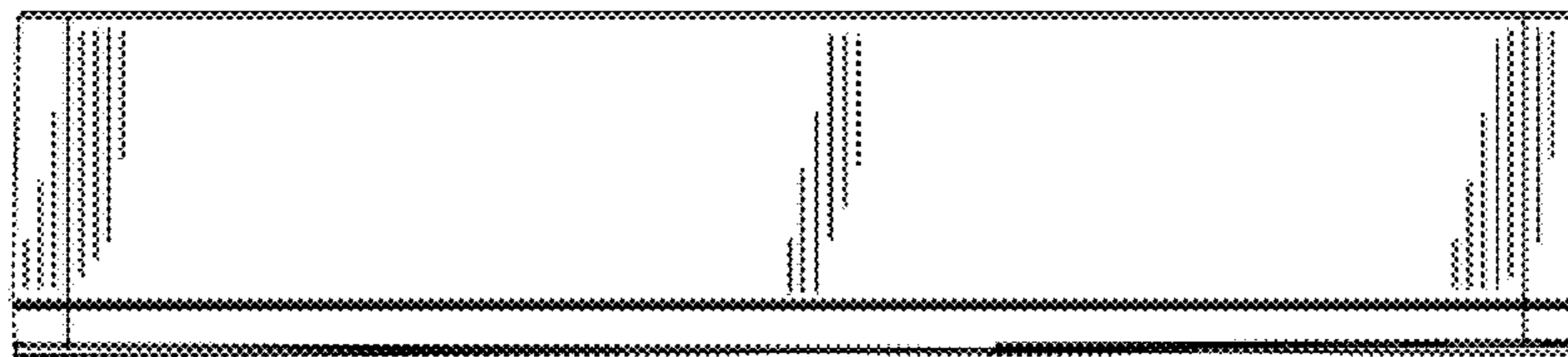


FIG. 5

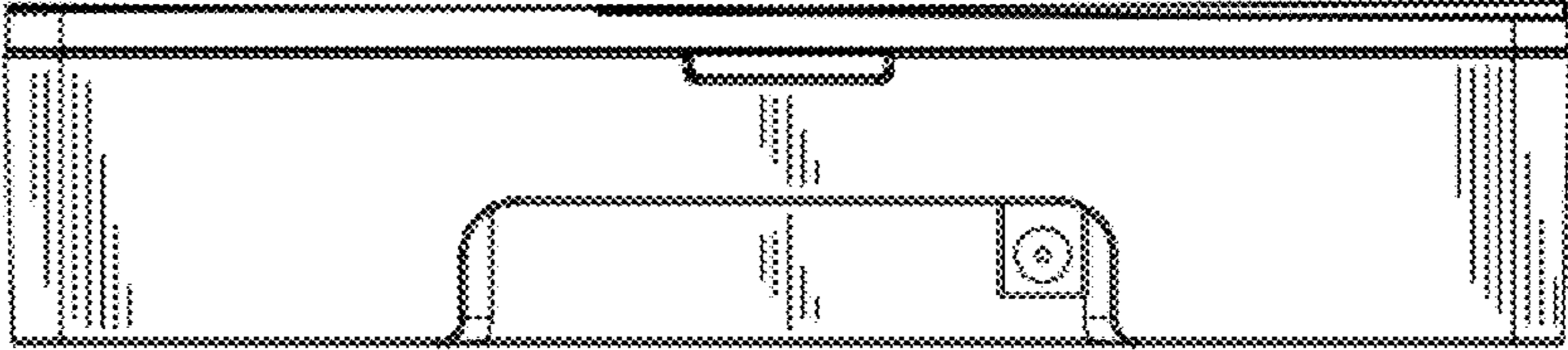


FIG.6

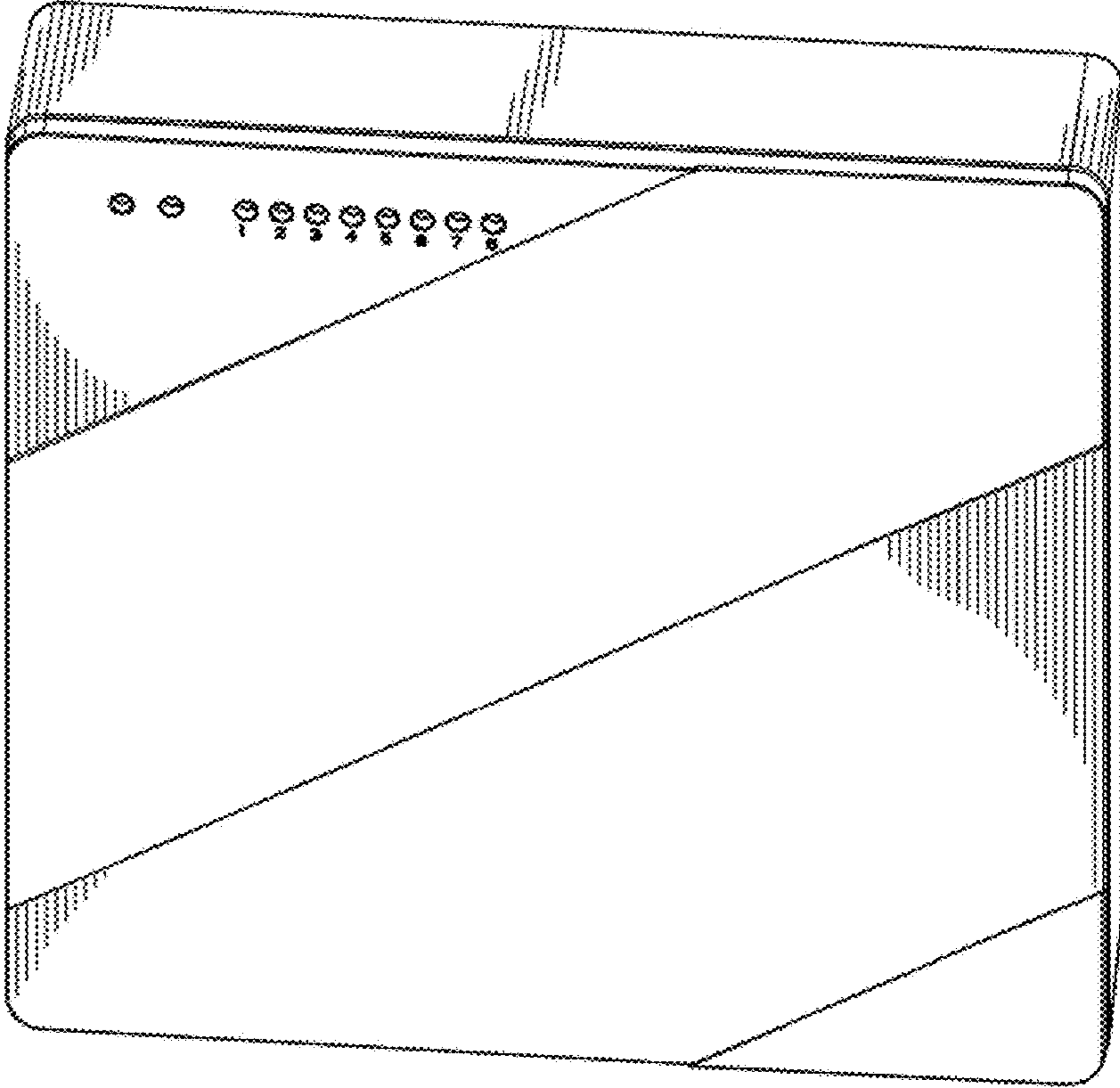


FIG.7