

US00D856941S

(12) **United States Design Patent** (10) **Patent No.:** **US D856,941 S**
Chen (45) **Date of Patent:** **** Aug. 20, 2019**

(54) **LED CONTROLLER**

(71) Applicant: **COOLER MASTER TECHNOLOGY INC.,** New Taipei (TW)

(72) Inventor: **Chen-Wei Chen,** New Taipei (TW)

(73) Assignee: **COOLER MASTER TECHNOLOGY INC.,** New Taipei (TW)

(**) Term: **15 Years**

(21) Appl. No.: **29/626,236**

(22) Filed: **Nov. 15, 2017**

(51) **LOC (12) Cl.** **14-03**

(52) **U.S. Cl.**
USPC **D13/168**

(58) **Field of Classification Search**
USPC D13/168; D14/155, 205, 206, 218, 223, D14/240; D21/333
CPC H03J 1/0025; H03J 9/00; H03J 9/02; H03J 9/04; H03J 9/06; H01H 9/0235; H04B 1/202; G05B 11/01; G08C 17/00; G08C 17/02; G08C 19/28; G08C 23/04; H04M 1/6058; H04R 1/1041
See application file for complete search history.

(56) **References Cited**

U.S. PATENT DOCUMENTS

D401,911 S	*	12/1998	Hwang	D13/168
D436,935 S	*	1/2001	Feucht	D13/133
D450,313 S	*	11/2001	Koinuma	D14/218
D533,514 S	*	12/2006	Hidalgo	D13/168
D549,665 S	*	8/2007	Chen	D13/168
D551,215 S	*	9/2007	Lee, Jr.	D14/218
D569,289 S	*	5/2008	Bender	D10/104.1
D573,957 S	*	7/2008	Ledbetter	D13/168
D577,302 S	*	9/2008	Bender	D10/104.1
D589,505 S	*	3/2009	He	D14/248
D591,273 S	*	4/2009	Nousiainen	D14/223
D592,063 S	*	5/2009	Floyd	D9/516
D625,712 S	*	10/2010	Yang	D14/223
D631,851 S	*	2/2011	Smith	D13/168

D638,806 S	*	5/2011	Kim	D13/168
D688,214 S	*	8/2013	Ducret	D13/168
D694,198 S	*	11/2013	Felegy, Jr.	D13/168
D703,189 S	*	4/2014	Won	D14/218
D726,160 S	*	4/2015	Chang	D14/218

(Continued)

OTHER PUBLICATIONS

Google image RF RGB LED Controller Driver, prior to Nov. 15, 2016; 1 pg.; https://www.google.com/search?q=LED+controller&hl=en&biw=1536&bih=813&source=Int&tbs=cdr%3A1%2Ccd_min%3A%2Ccd_max%3A11%2F15%2F2016&tbm=isch#imgc=WSCG3qfrMzhKLM:&spf=1555598470970.*

(Continued)

Primary Examiner — Selina Sikder

(74) *Attorney, Agent, or Firm* — Maschoff Brennan

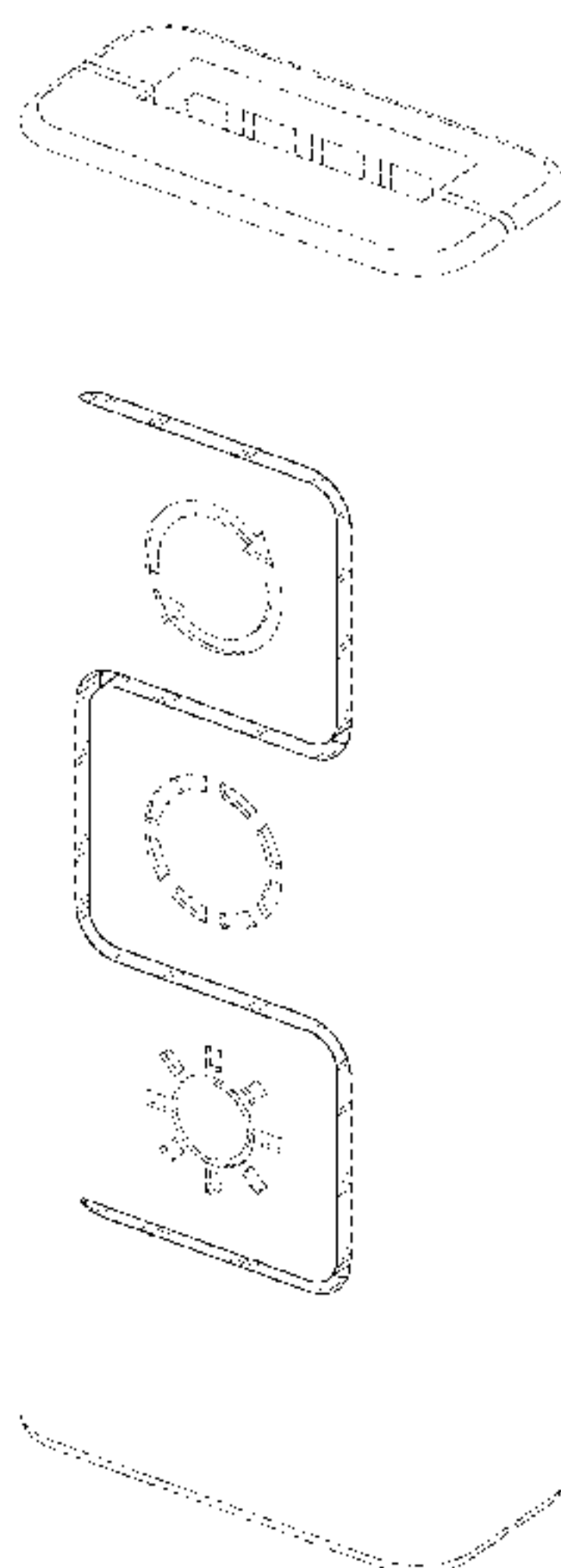
(57) **CLAIM**

The ornamental design for a “LED controller,” as shown and described.

DESCRIPTION

FIG. 1 is a top, front and right side perspective view of a LED controller showing my new design;
FIG. 2 is another top, front and right side perspective view thereof;
FIG. 3 is a bottom, front and left side perspective view thereof;
FIG. 4 is another bottom, front and left side perspective view thereof;
FIG. 5 is a front view thereof;
FIG. 6 is a rear view thereof;
FIG. 7 is a left side elevational view thereof;
FIG. 8 is a right side elevational view thereof;
FIG. 9 is a top view thereof; and,
FIG. 10 is a bottom view thereof.
The broken lines depict portions of the LED controller which form no part of the claimed design.

1 Claim, 8 Drawing Sheets



(56)

References Cited

U.S. PATENT DOCUMENTS

D754,639 S * 4/2016 Wu D14/223
D796,484 S * 9/2017 Chen D14/218
D797,060 S * 9/2017 Pham D13/168
D822,643 S * 7/2018 Chen D14/218
D837,748 S * 1/2019 Komiya D13/168
D840,954 S * 2/2019 Wu D13/168

OTHER PUBLICATIONS

Google image, Remote Control for Smart Candle; prior to Nov. 15, 2016; 1 pg.; [https://www.google.com/search?hl=en&biw=1536&bih=813&tbs=cdr%3A1%2Ccd_max%3A11%2F15%2F2016&tbm=isch&sa=1&ei=u6m4XP24N8yk_Qa4_LLgBQ&q=led+remote+control&oq=led+remote&gs_l=img.1.1.015j0i5i30i5.50214.56049..59321...0.0..0.71.562.10...*](https://www.google.com/search?hl=en&biw=1536&bih=813&tbs=cdr%3A1%2Ccd_max%3A11%2F15%2F2016&tbm=isch&sa=1&ei=u6m4XP24N8yk_Qa4_LLgBQ&q=led+remote+control&oq=led+remote&gs_l=img.1.1.015j0i5i30i5.50214.56049..59321...0.0..0.71.562.10...)

Google image, Cooler Master RGB Controller, Sep. 15, 2017, 1 pg.; https://www.google.com/search?q=Cooler+Master+MasterLiquid+ML120L+RGB+Review&hl=en&biw=1536&bih=813&source=lnh&tbs=cdr%3A1%2Ccd_min%3A%2Ccd_max%3A9%2F15%2F2017&tbm=isch#imgrc=UEvqm-rNMupj9M:&spf=1555621565689.*

* cited by examiner

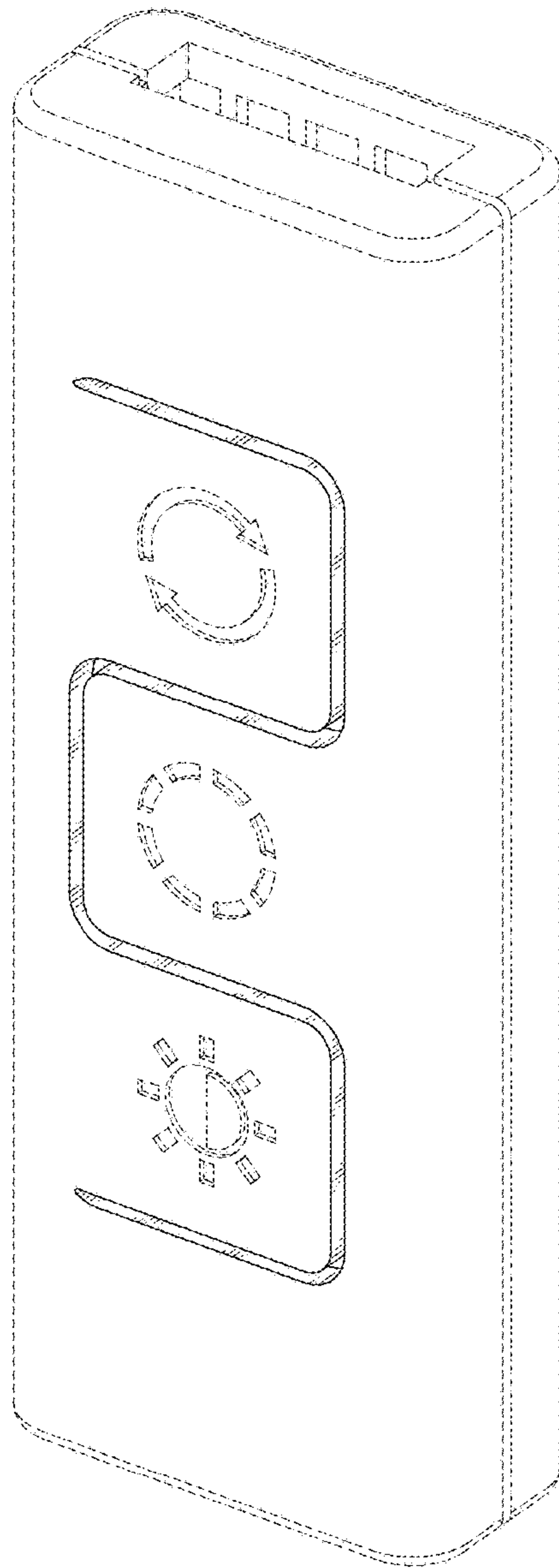


FIG. 1

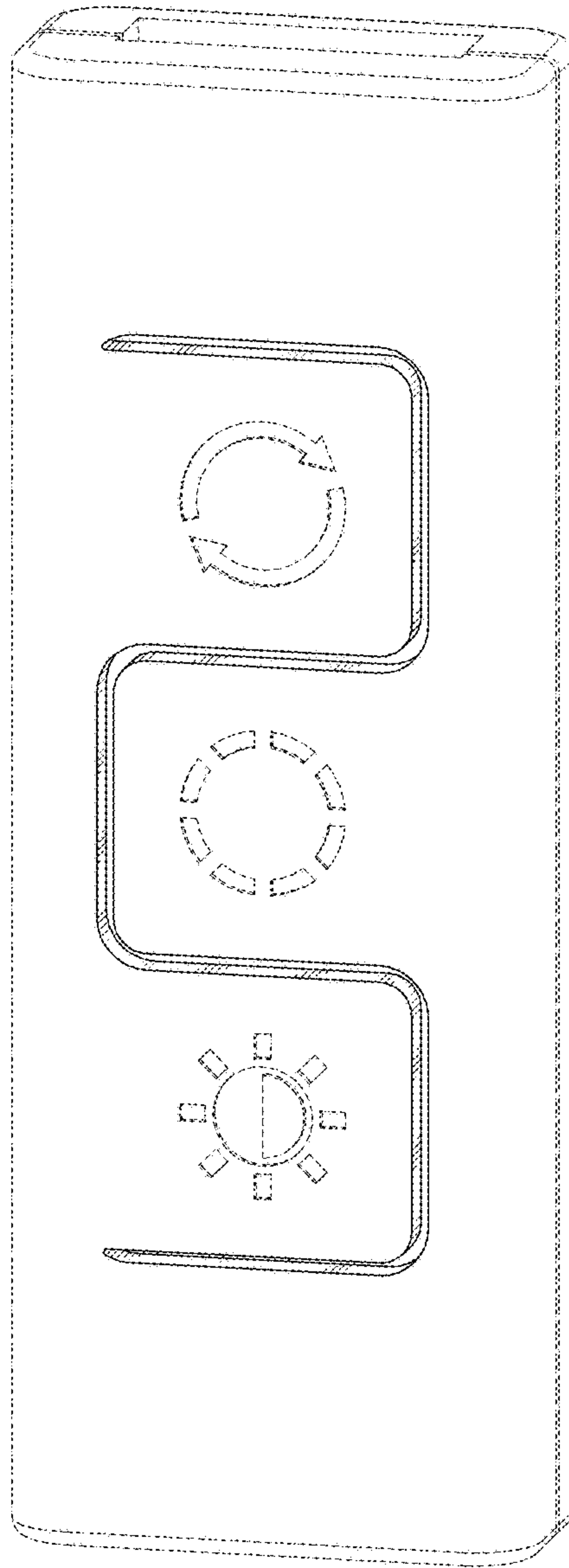


FIG. 2

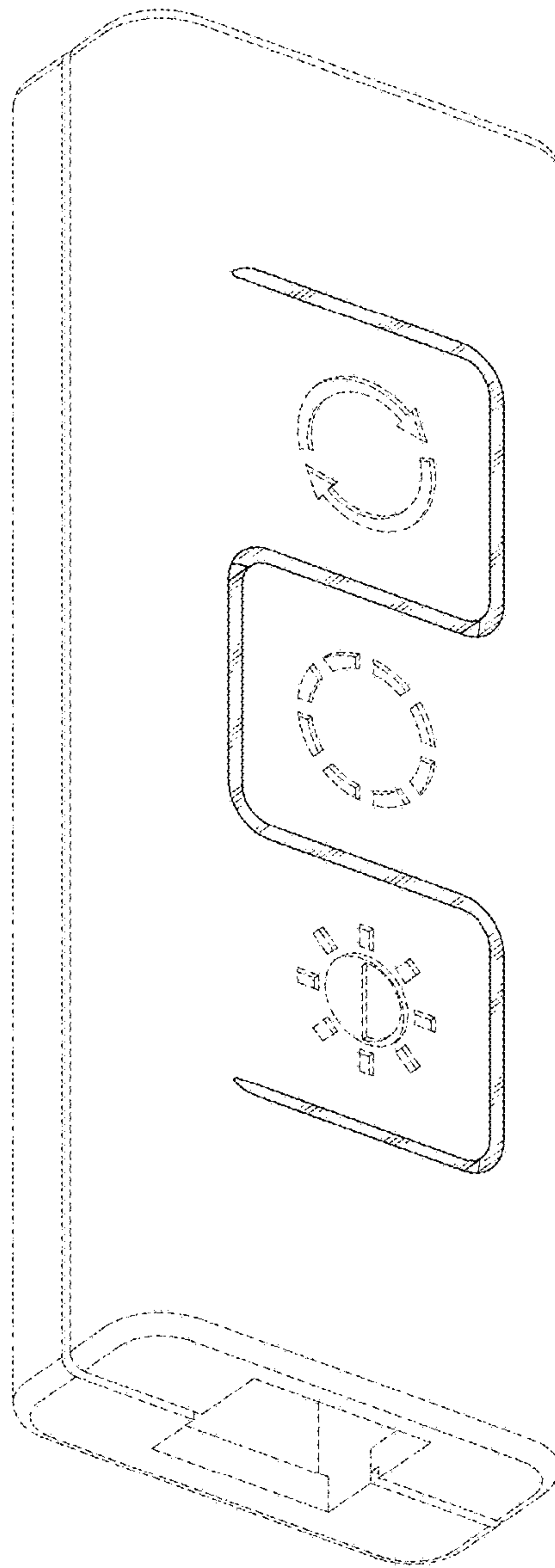


FIG. 3

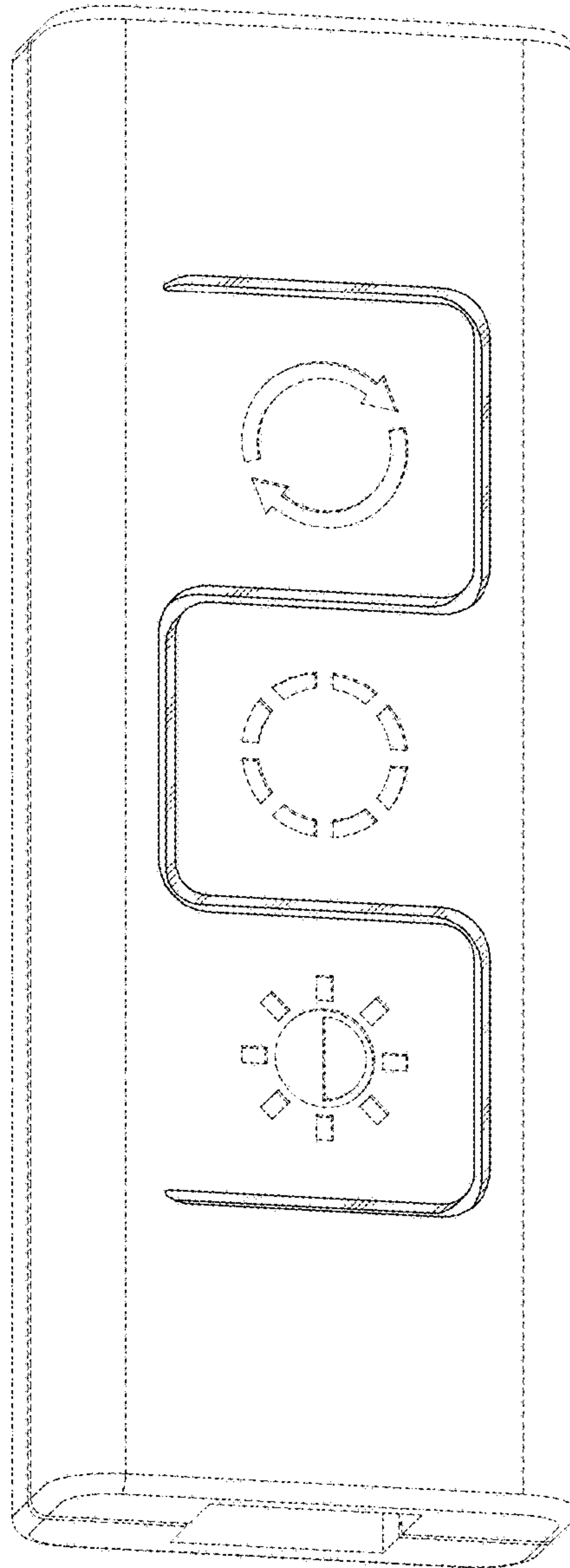


FIG. 4

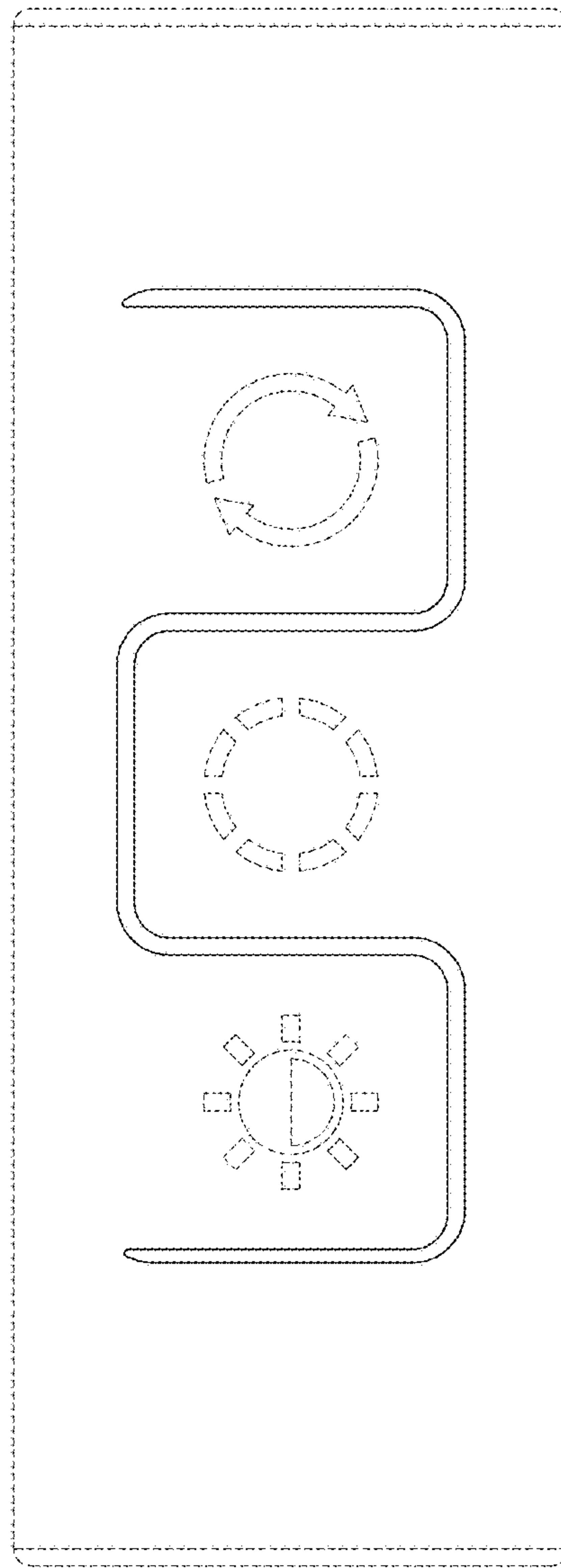


FIG. 5

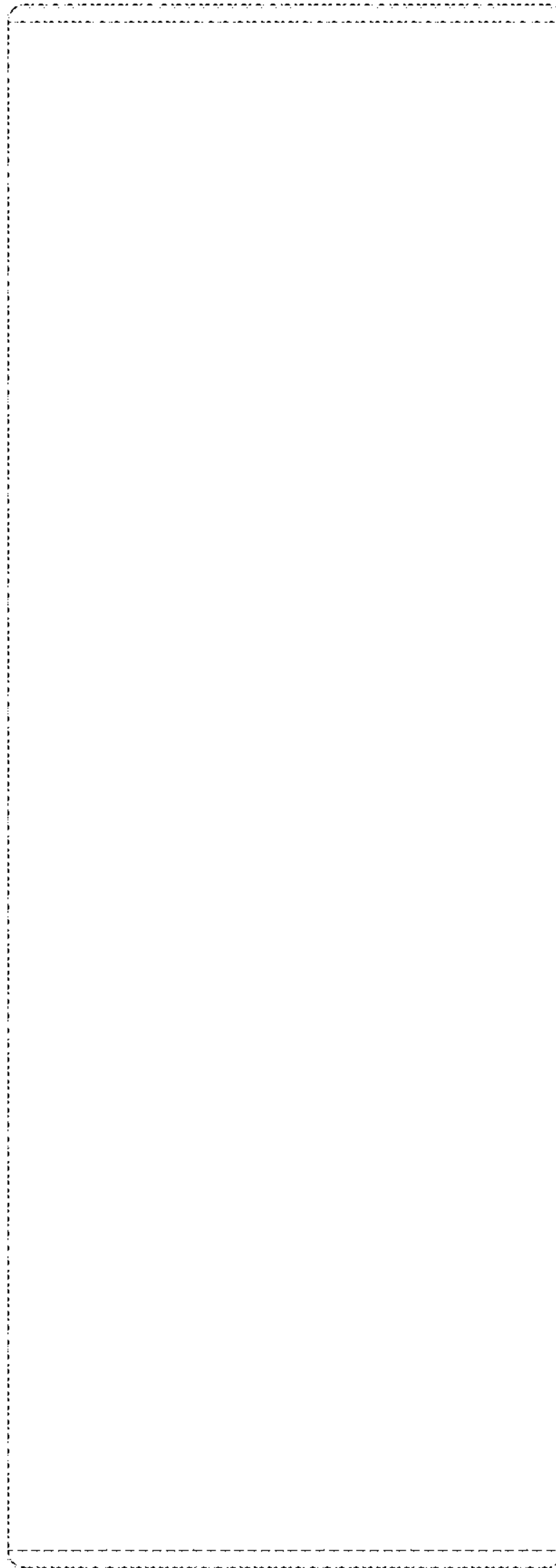


FIG. 6

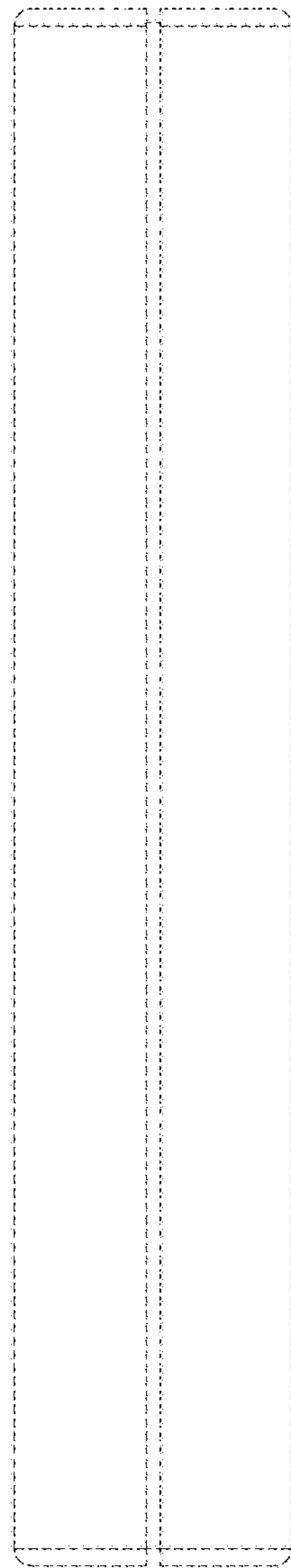


FIG. 7

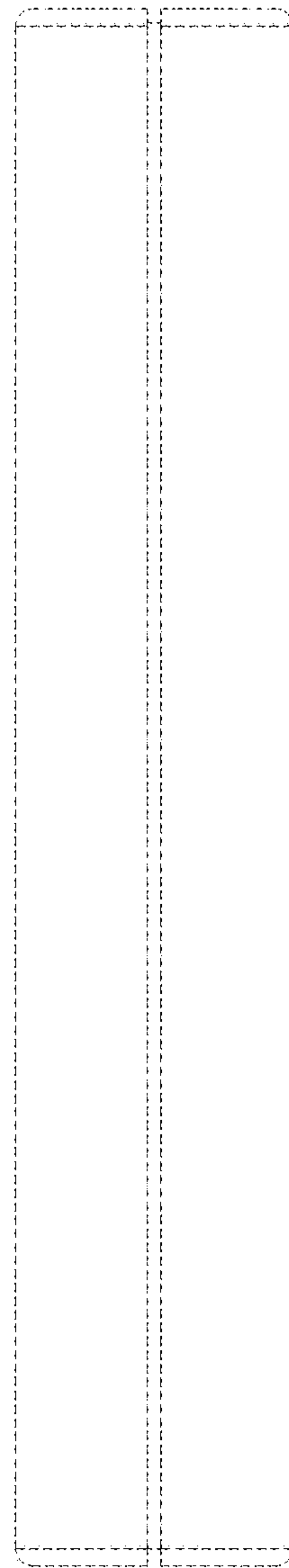


FIG. 8

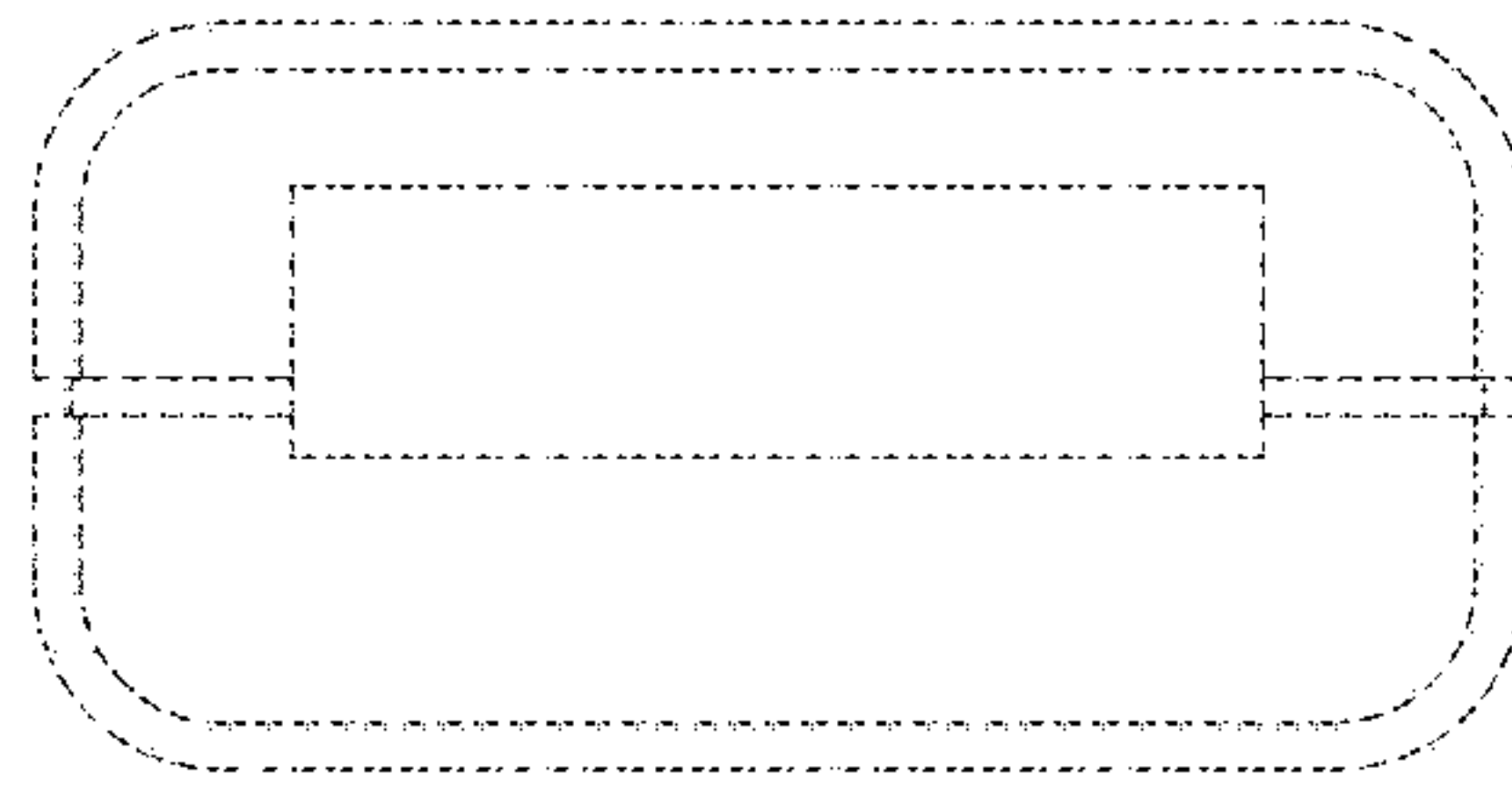


FIG. 9

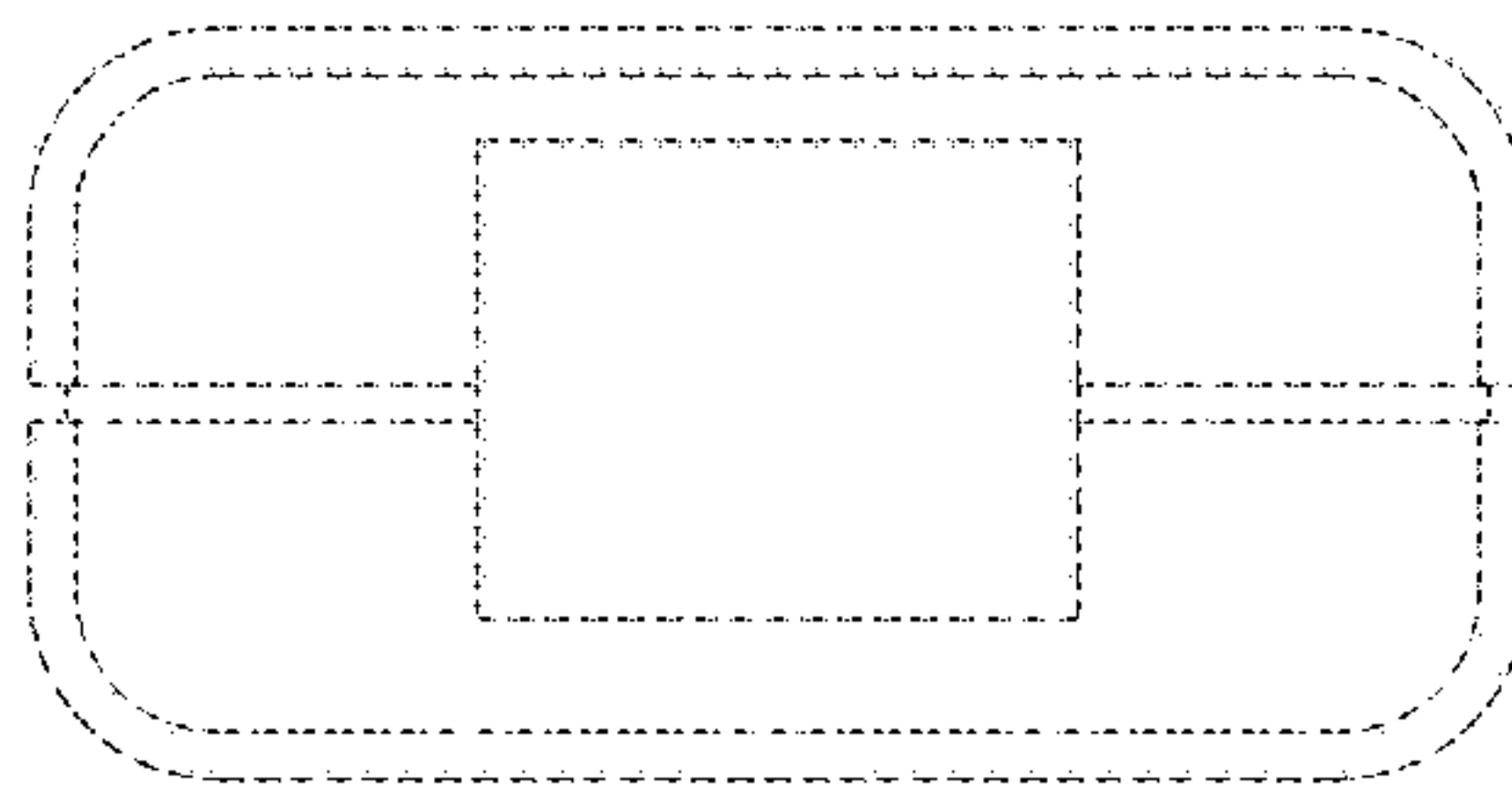


FIG. 10