



US00D856939S

(12) **United States Design Patent**  
**Hirai et al.**

(10) **Patent No.:** **US D856,939 S**  
(45) **Date of Patent:** **\*\* Aug. 20, 2019**

(54) **HOUSING FOR ELECTRIC DEVICE**

(71) Applicant: **Sony Semiconductor Solutions Corporation, Kanagawa (JP)**

(72) Inventors: **Shinji Hirai, Tokyo (JP); Nobuyuki Yokosawa, Saitama (JP)**

(73) Assignee: **SONY SEMICONDUCTOR SOLUTIONS CORPORATION, Kanagawa (JP)**

(\*\*) Term: **15 Years**

(21) Appl. No.: **29/558,190**

(22) Filed: **Mar. 15, 2016**

(30) **Foreign Application Priority Data**

Jan. 8, 2016 (JP) ..... D2016-000331  
Jan. 8, 2016 (JP) ..... D2016-000332

(Continued)

(51) **LOC (12) Cl.** ..... **13-03**

(52) **U.S. Cl.**  
USPC ..... **D13/156**

(58) **Field of Classification Search**  
USPC ..... D13/110, 123, 133, 137.1, 139.1, 139.4,  
D13/152, 154, 155, 156, 158, 162, 164,  
(Continued)

(56) **References Cited**

**U.S. PATENT DOCUMENTS**

D596,570 S \* 7/2009 Spivey ..... D13/133  
7,903,412 B2 \* 3/2011 Spivey ..... H05K 7/20445  
165/185

(Continued)

*Primary Examiner* — Derrick E Holland

*Assistant Examiner* — Jennifer O King

(74) *Attorney, Agent, or Firm* — Michael Best and Friedrich LLP

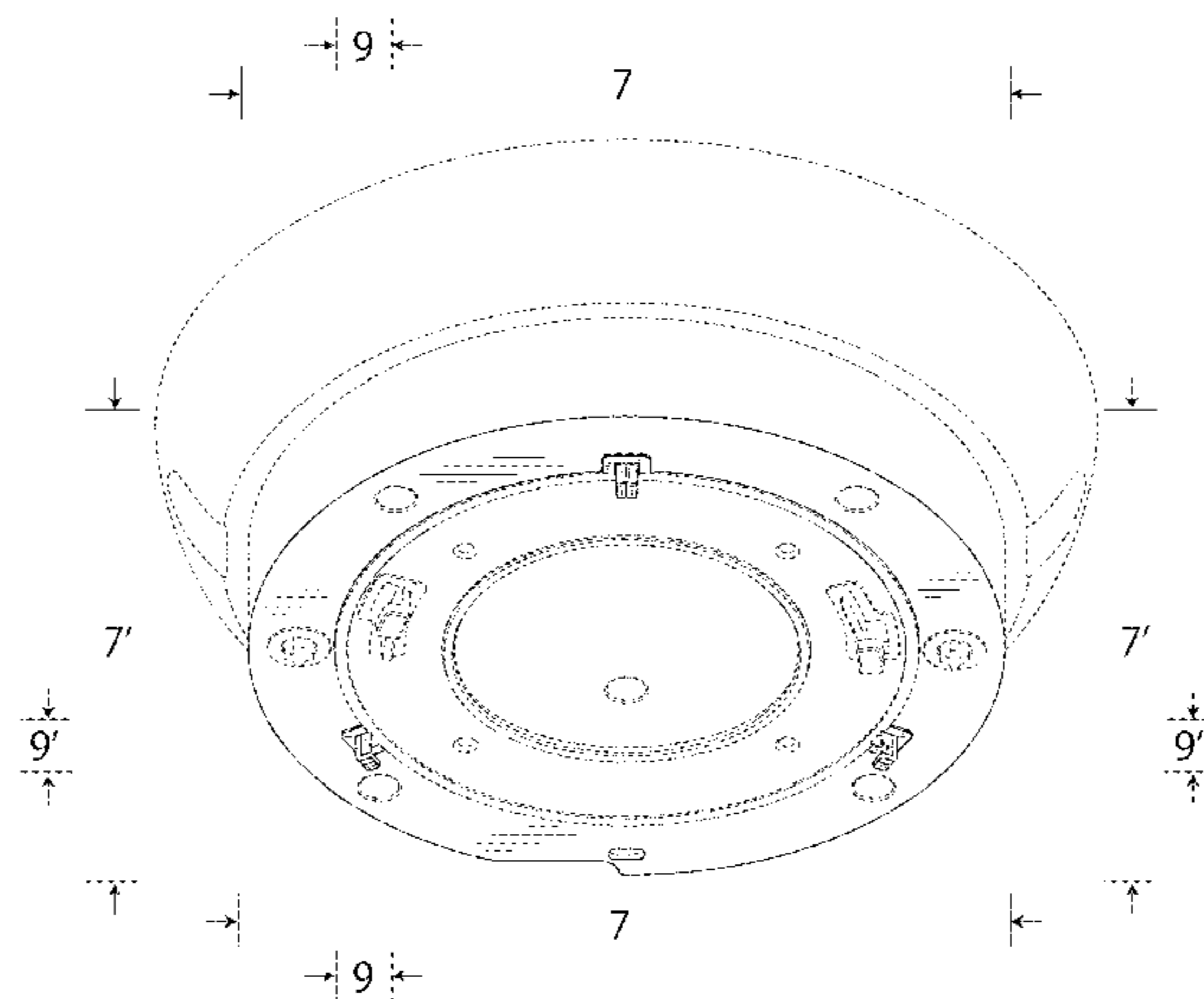
(57) **CLAIM**

The ornamental design for a housing for electric device, as shown and described.

**DESCRIPTION**

FIG. 1 is a perspective view of a first embodiment of a housing for electric device showing our new design; FIG. 2 is a rear elevational view thereof; FIG. 3 is a left side elevational view thereof; FIG. 4 is a right side elevational view thereof; FIG. 5 is a top plan view thereof; and FIG. 6 is a bottom plan view thereof. FIG. 7 is a partially enlarged perspective view thereof along the lines 7-7 and 7'-7' of FIG. 1; FIG. 8 is a partially enlarged rear view thereof along the lines 8-8 and 8'-8' of FIG. 2; FIG. 9 is a partially enlarged perspective view thereof along the lines 9-9 and 9'-9' of FIG. 1; and FIG. 10 is a partially enlarged left side elevational view thereof along the lines 10-10 of FIG. 3. FIG. 11 is a perspective view of a second embodiment of a housing for electric device showing our new design; FIG. 12 is a rear elevational view thereof; FIG. 13 is a left side elevational view thereof; FIG. 14 is a right side elevational view thereof; FIG. 15 is a top plan view thereof; and FIG. 16 is a bottom plan view thereof. FIG. 17 is a partially enlarged perspective view thereof along the lines 17-17 and 17'-17' of FIG. 11; FIG. 18 is a partially enlarged rear view thereof along the lines 18-18 and 18'-18' of FIG. 12; FIG. 19 is a partially enlarged left side elevational view thereof along the lines 19-19 and 19'-19' of FIG. 11; and, FIG. 20 is a partially enlarged left side elevational view thereof along the lines 20-20 of FIG. 13. The broken lines shown represent portions of the housing for electric device that form no part of the claimed design. Where the dot-dash broken lines abut the shaded surface it is understood that those broken lines represent an unclaimed boundary between claimed and unclaimed surfaces. None of the broken lines form any part of the claimed design.

**1 Claim, 12 Drawing Sheets**



(30) **Foreign Application Priority Data**

Jan. 8, 2016 (JP) ..... D2016-000333  
Jan. 8, 2016 (JP) ..... D2016-000334  
Jan. 8, 2016 (JP) ..... D2016-000335  
Jan. 8, 2016 (JP) ..... D2016-000336  
Jan. 8, 2016 (JP) ..... D2016-000337

(58) **Field of Classification Search**

USPC ..... D13/173, 177, 184; D26/24, 74, 118;  
174/67, 66; 439/147-149, 373, 391, 535,  
439/536, 538  
CPC ..... H02G 11/02; B65H 75/48; H01R 13/72  
See application file for complete search history.

(56) **References Cited**

U.S. PATENT DOCUMENTS

D647,227 S \* 10/2011 Kaule ..... D26/24  
D648,061 S \* 11/2011 Yamamoto ..... D26/138  
D668,372 S \* 10/2012 Renshaw ..... D26/74  
D698,989 S \* 2/2014 Dungan ..... D26/128  
D718,489 S \* 11/2014 Wronski ..... D26/118  
D726,950 S \* 4/2015 Serwacki ..... D26/74  
D738,029 S 9/2015 Obana et al.  
D754,078 S \* 4/2016 Baldwin ..... D13/156  
D757,581 S 5/2016 Hosoda et al.  
D801,286 S \* 10/2017 Karlsson ..... D13/156  
2008/0188117 A1 \* 8/2008 Kuo ..... H01R 13/508  
439/367  
2014/0144667 A1 \* 5/2014 DeBartolo, Jr. .... H02G 3/14  
174/67

\* cited by examiner

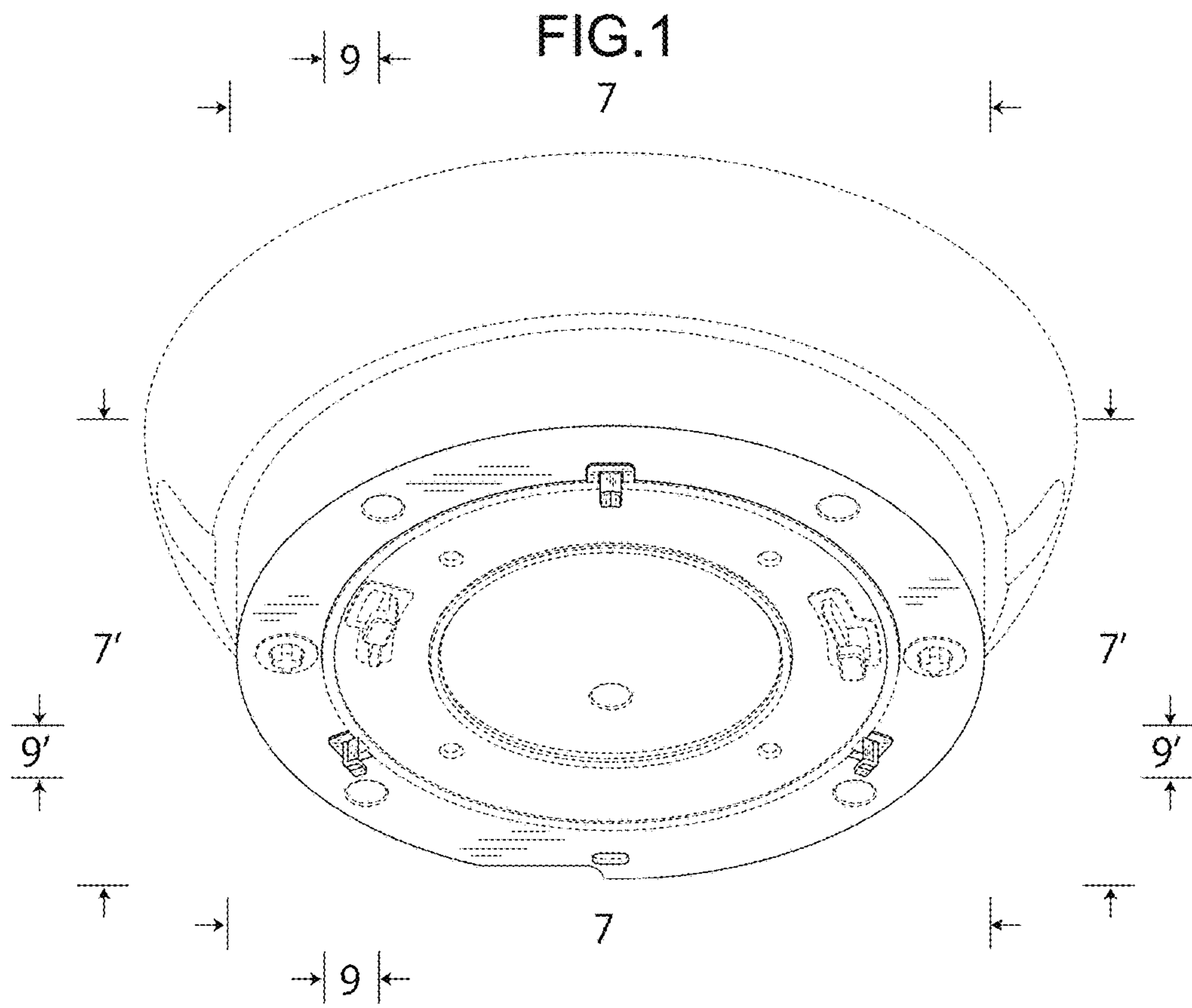


FIG.2

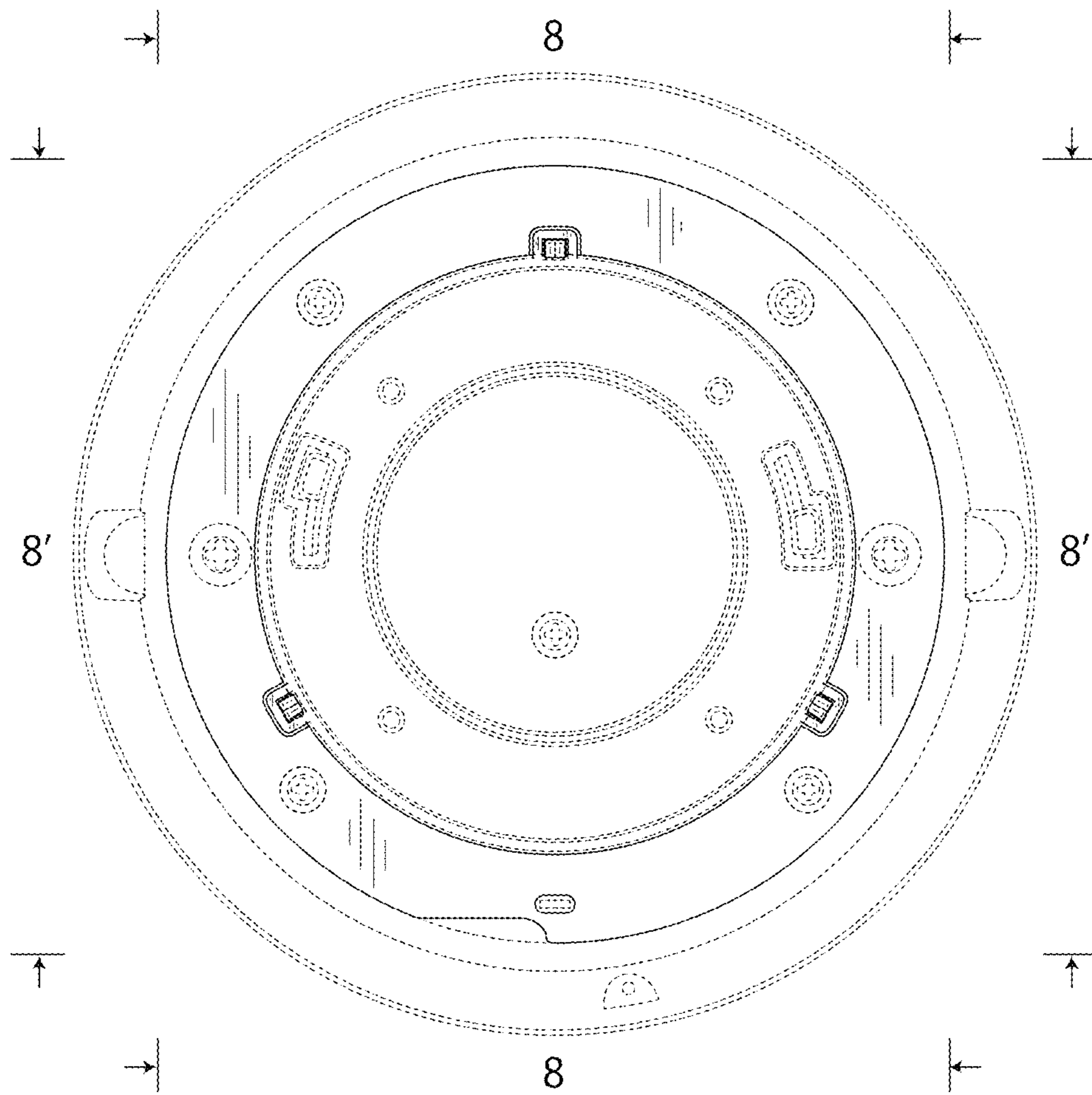


FIG.3

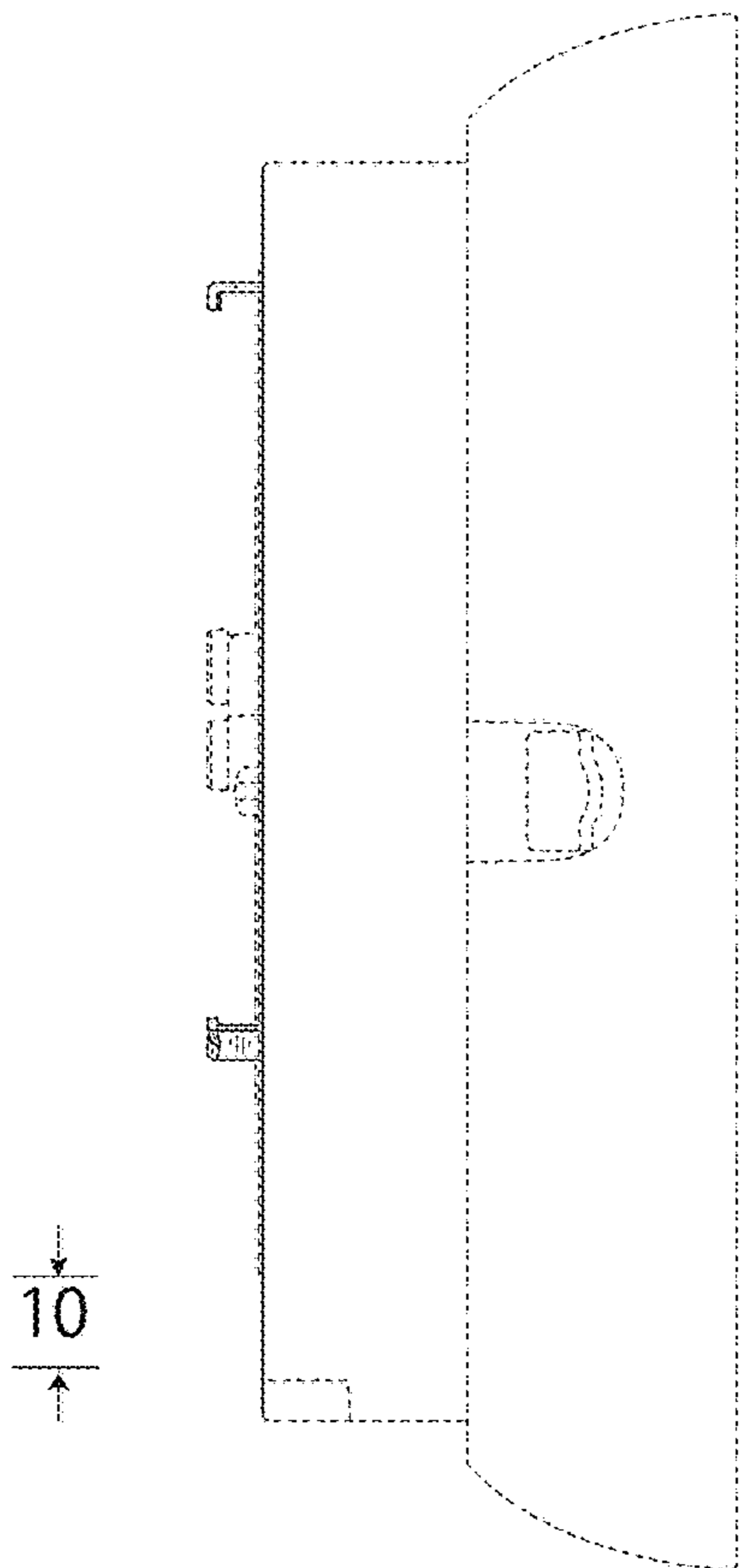


FIG.4

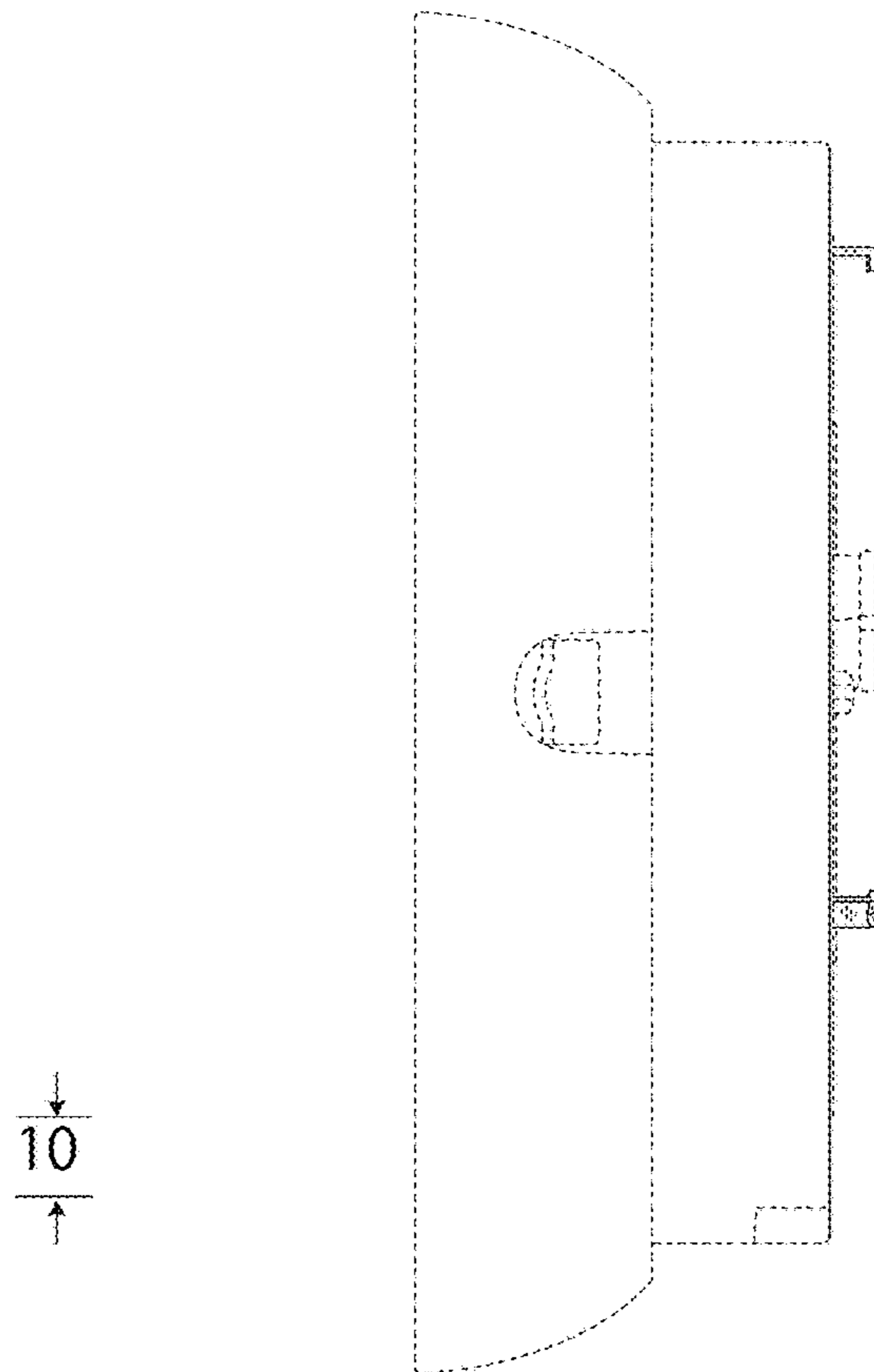


FIG.5

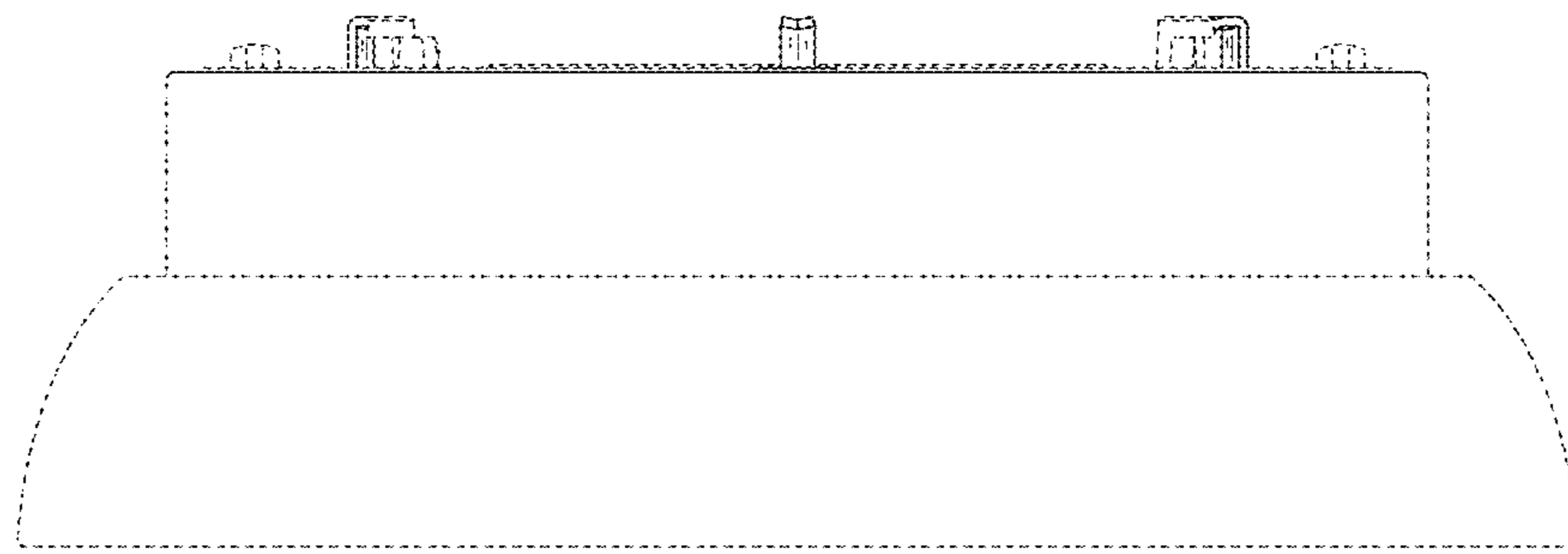


FIG.6

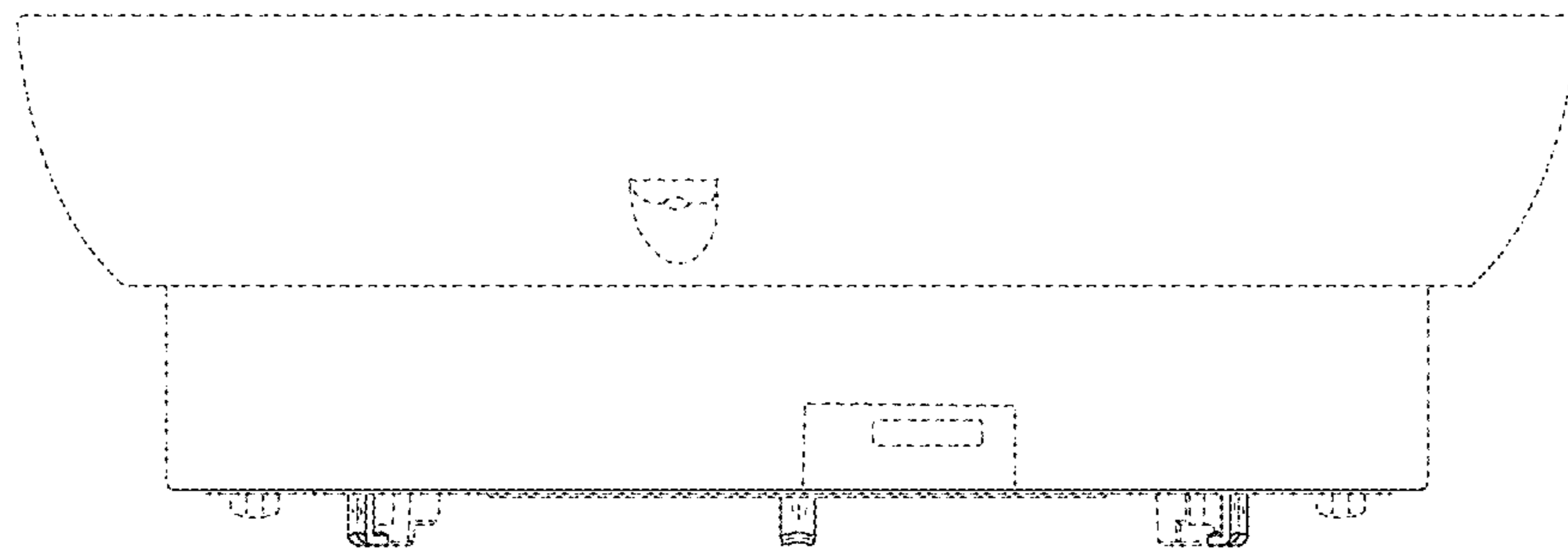


FIG.7

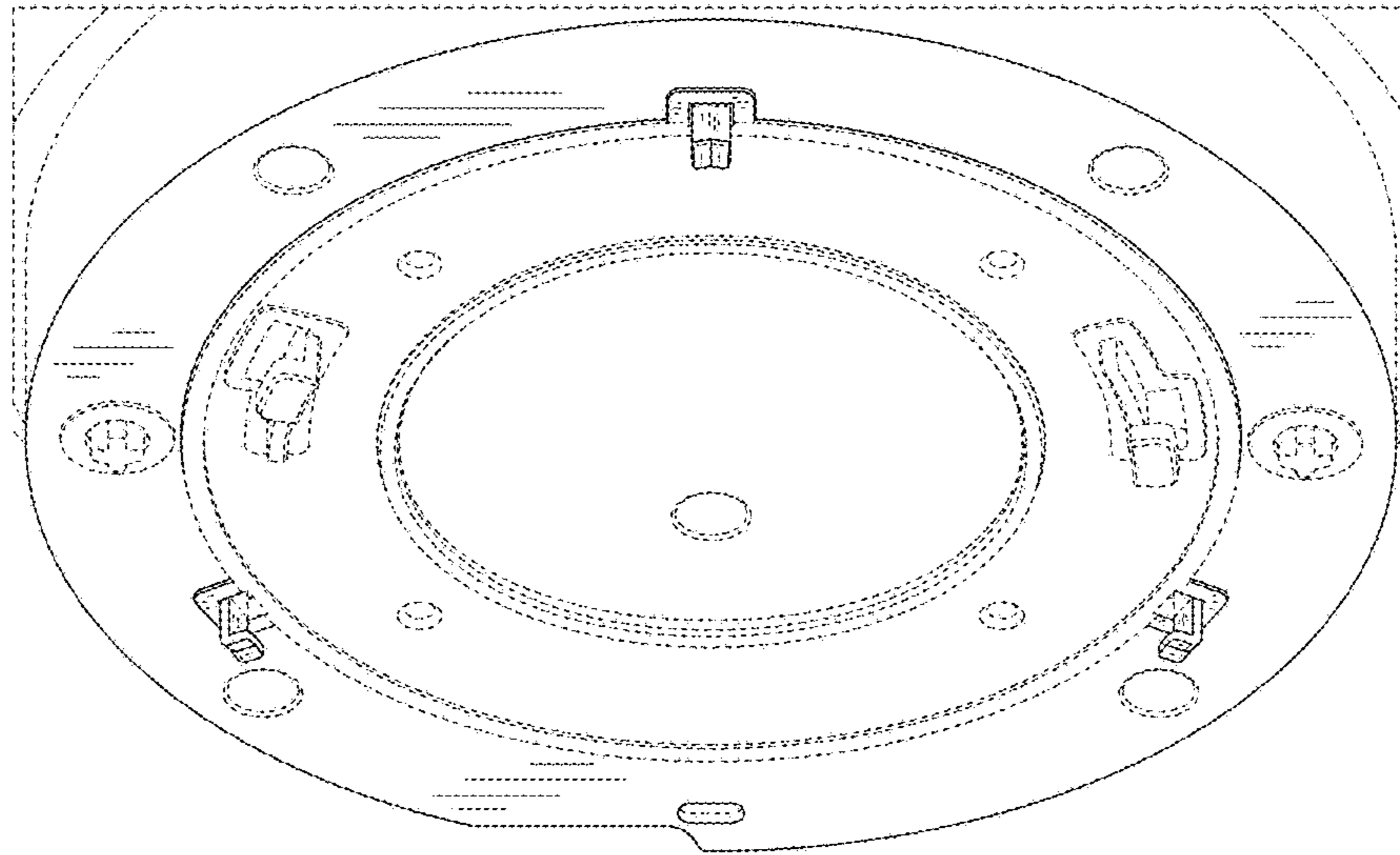


FIG.8

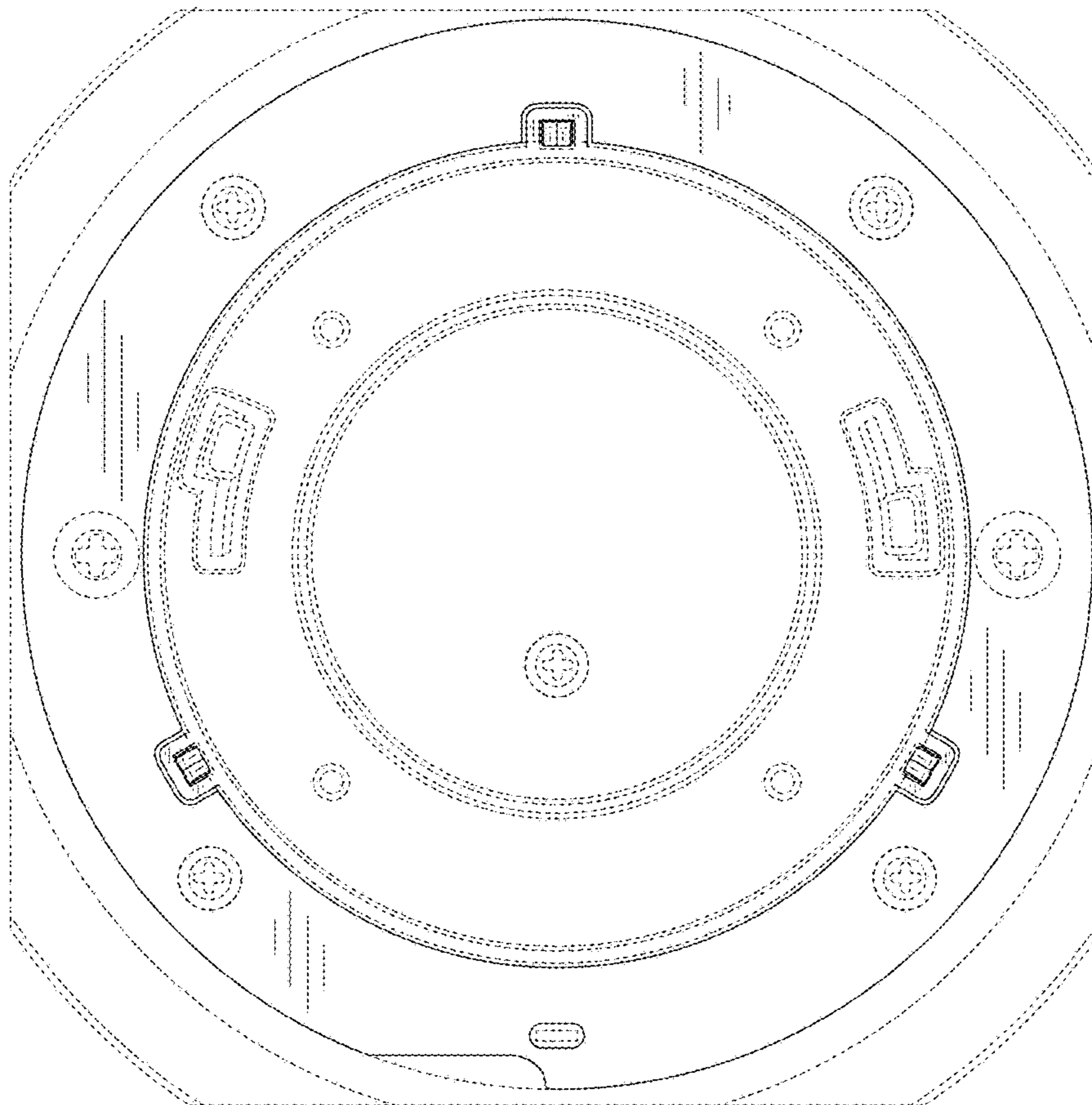


FIG.9

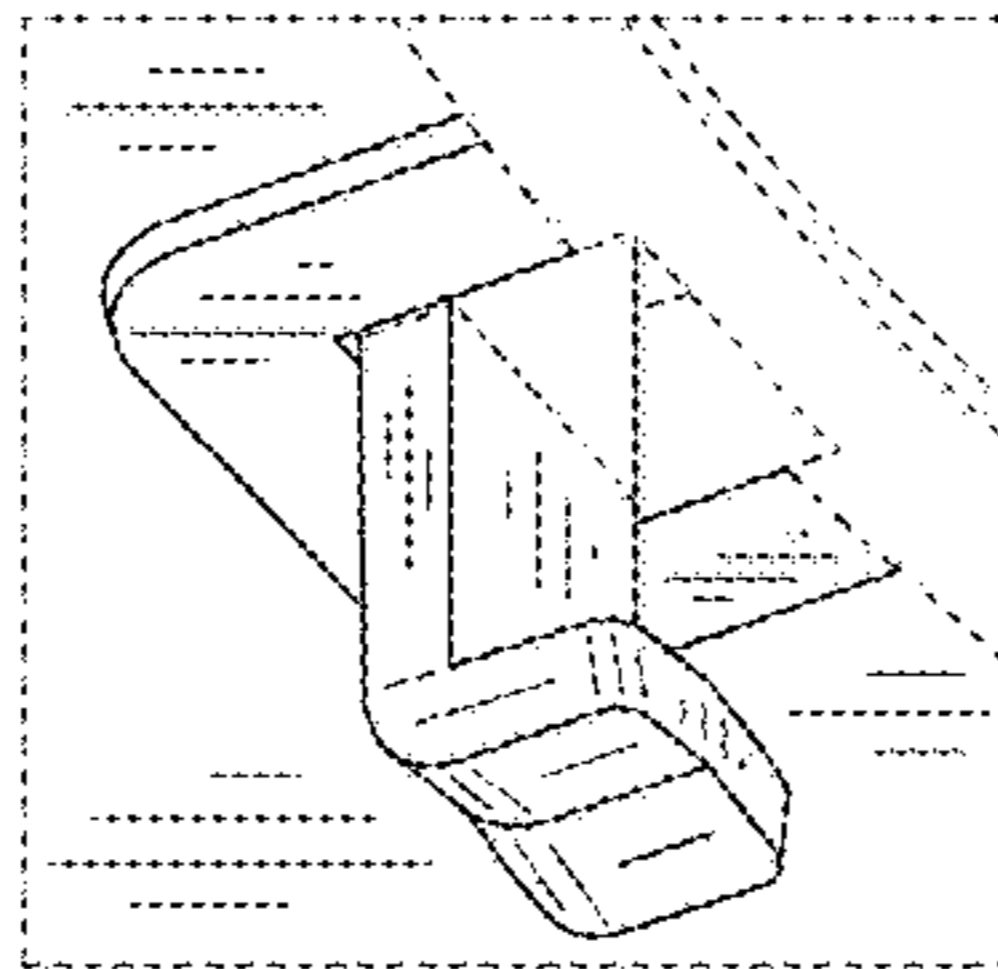
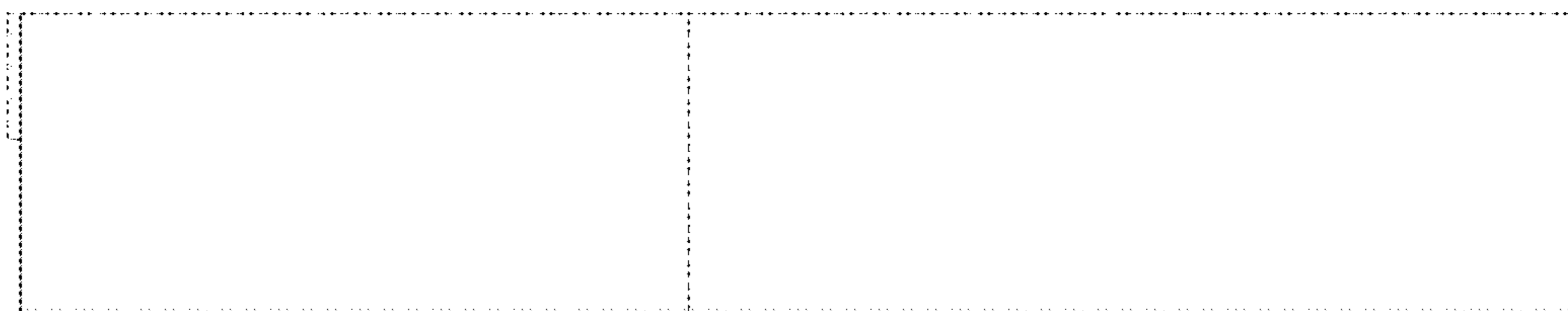


FIG.10





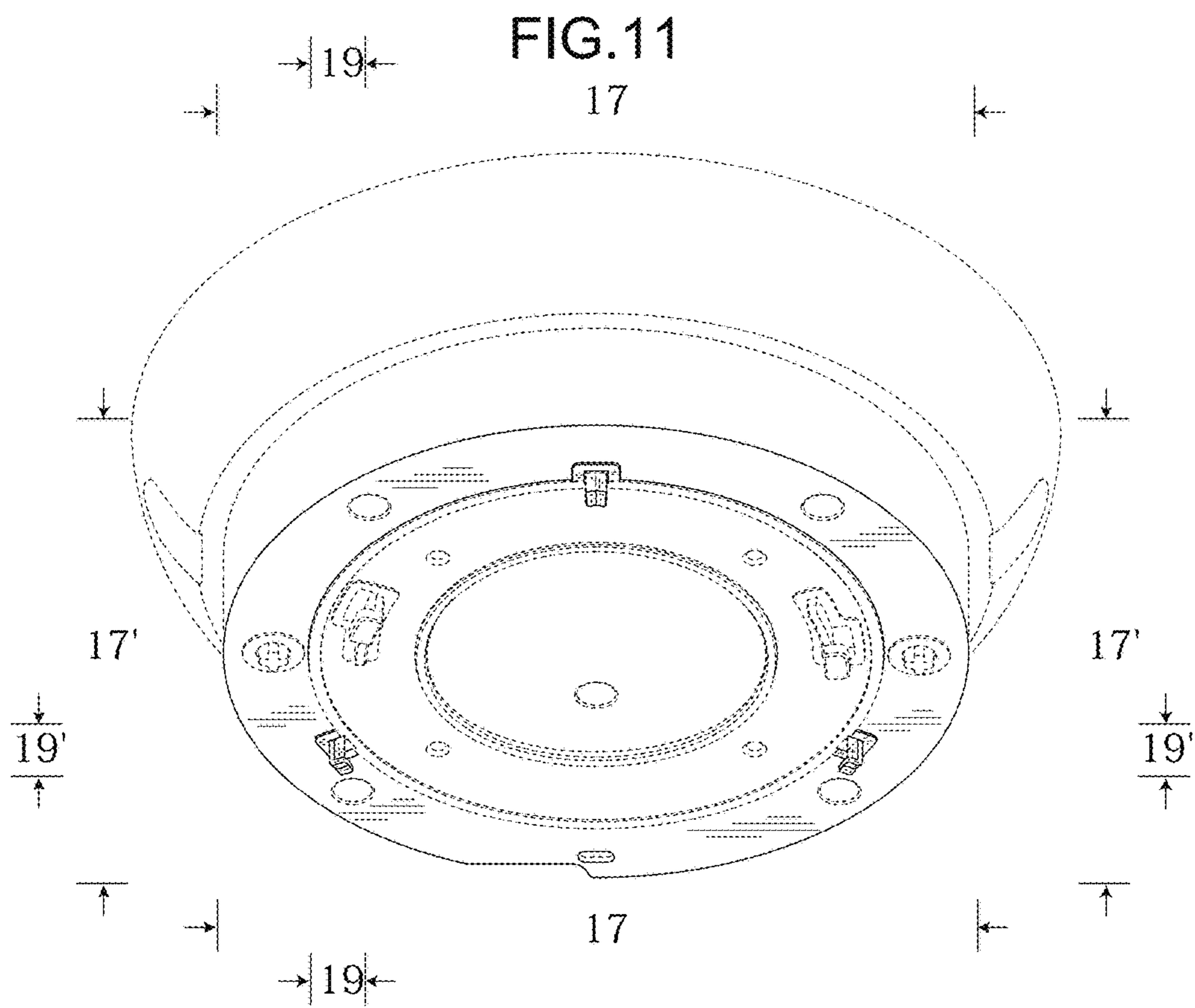


FIG.12

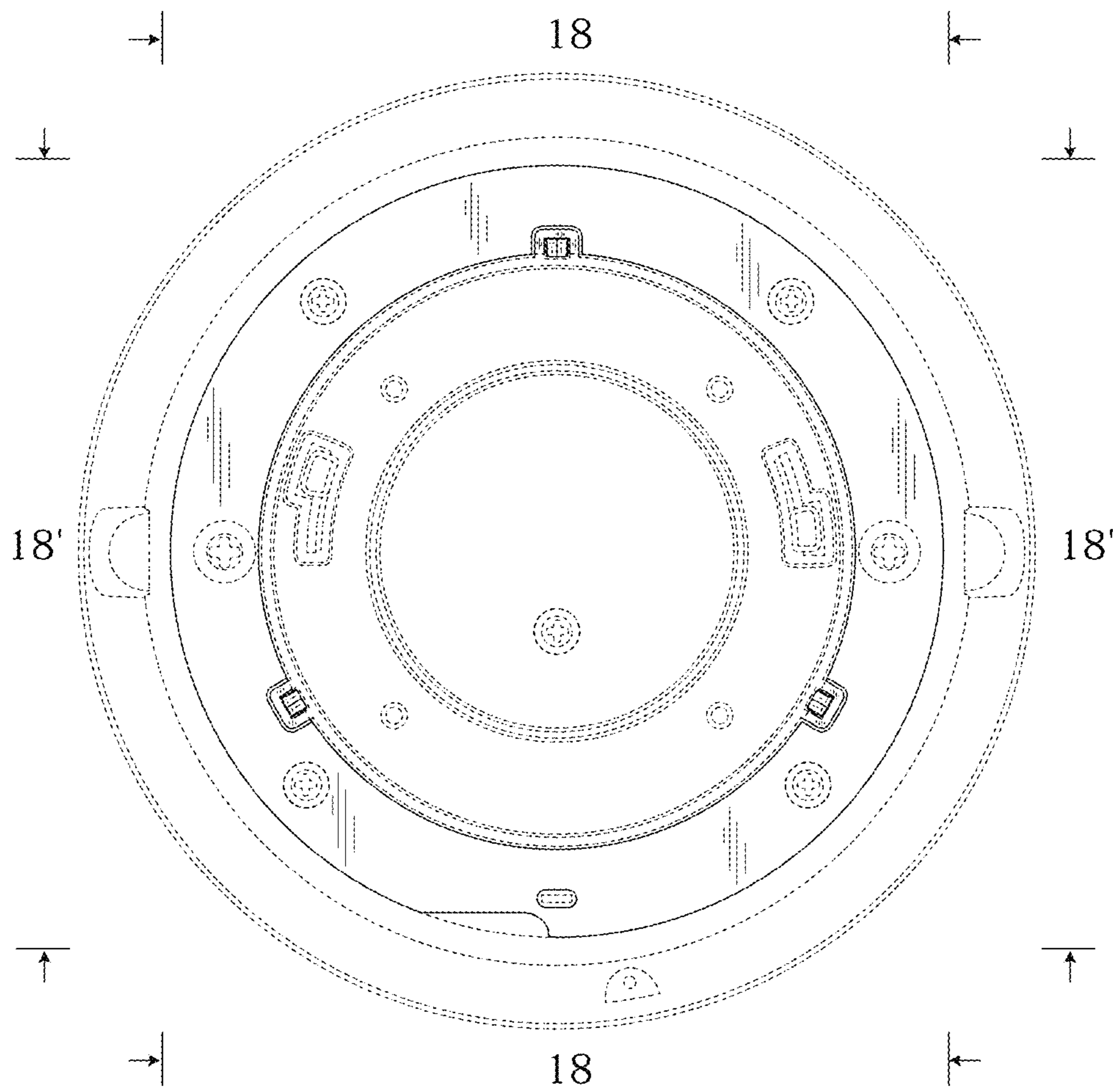


FIG.13

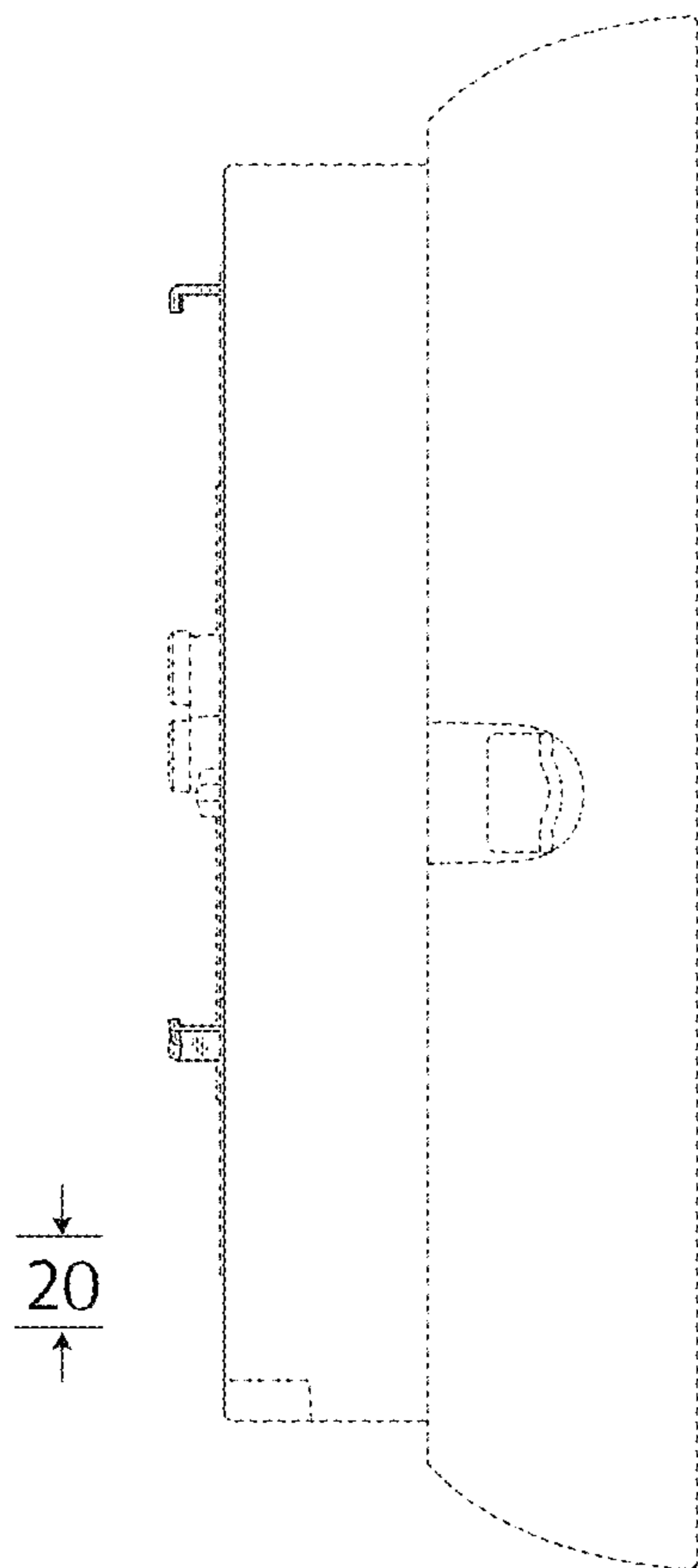


FIG.14

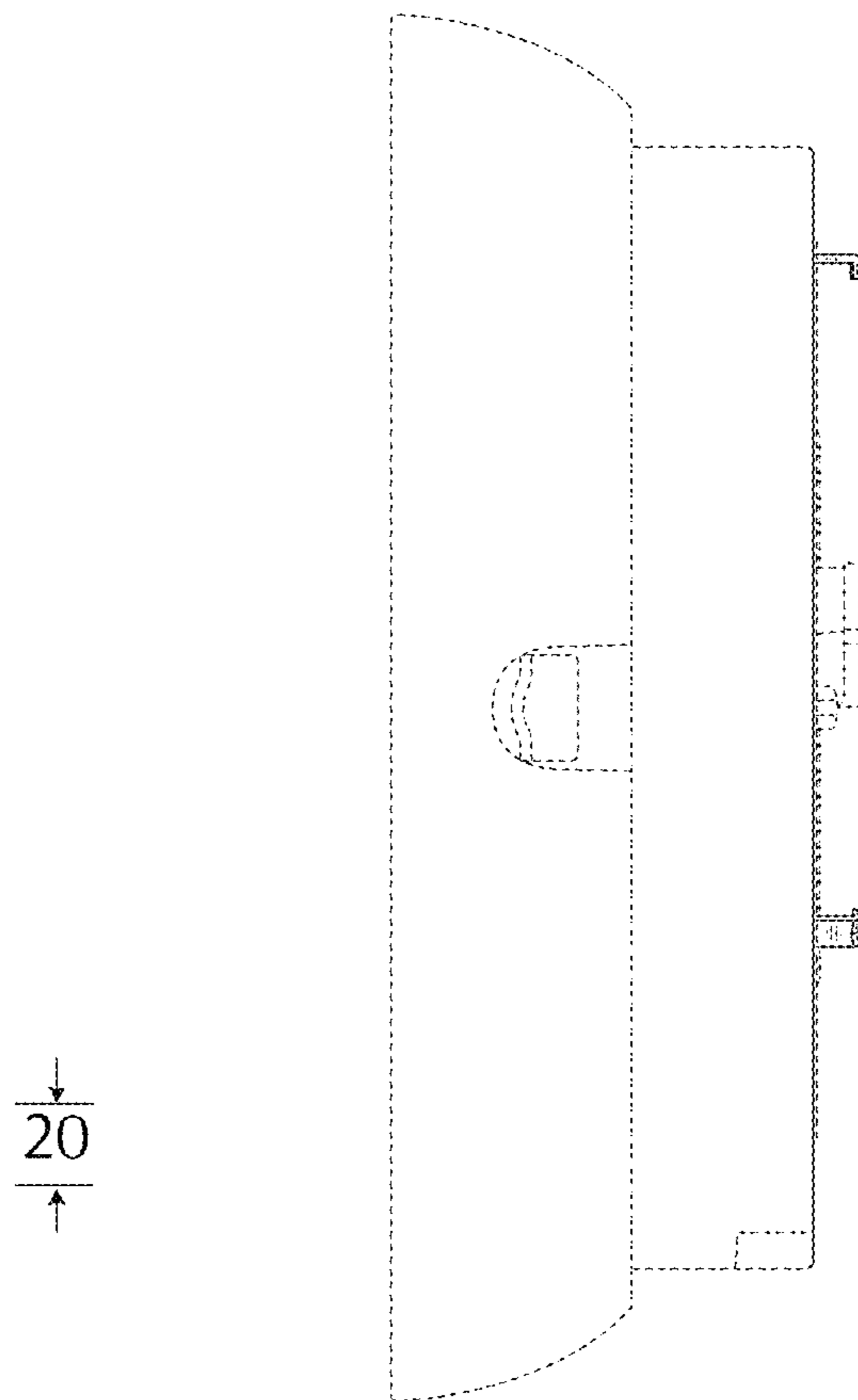


FIG.15

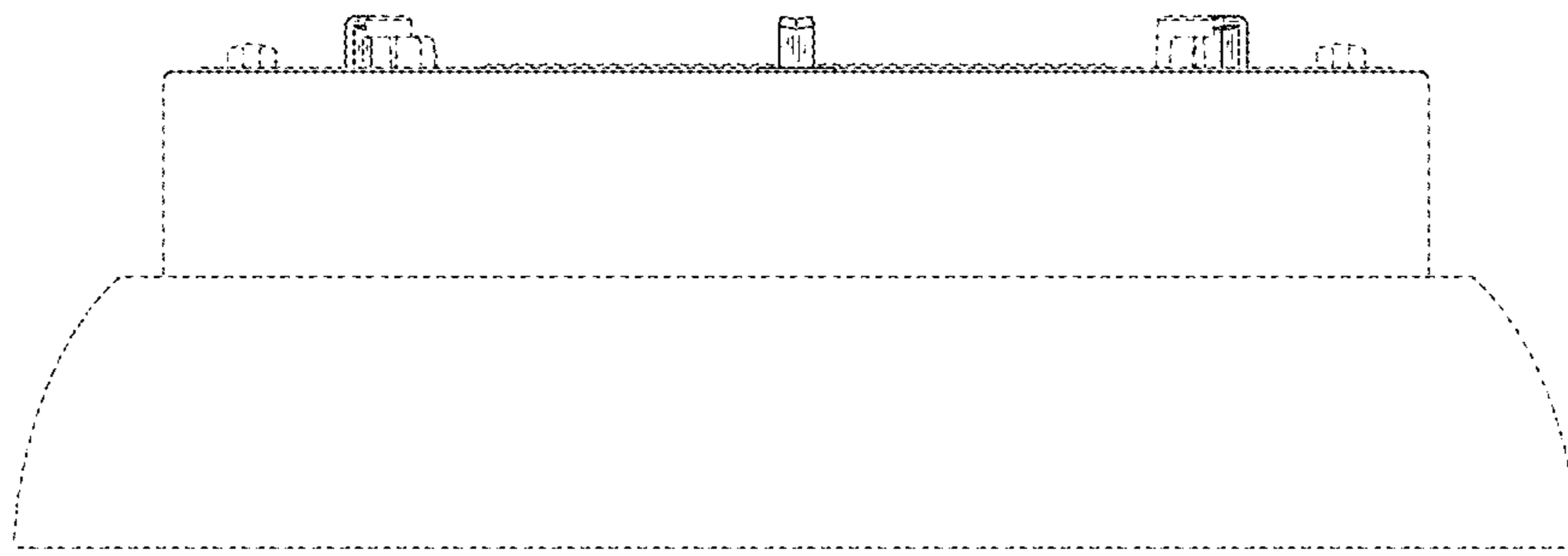


FIG.16

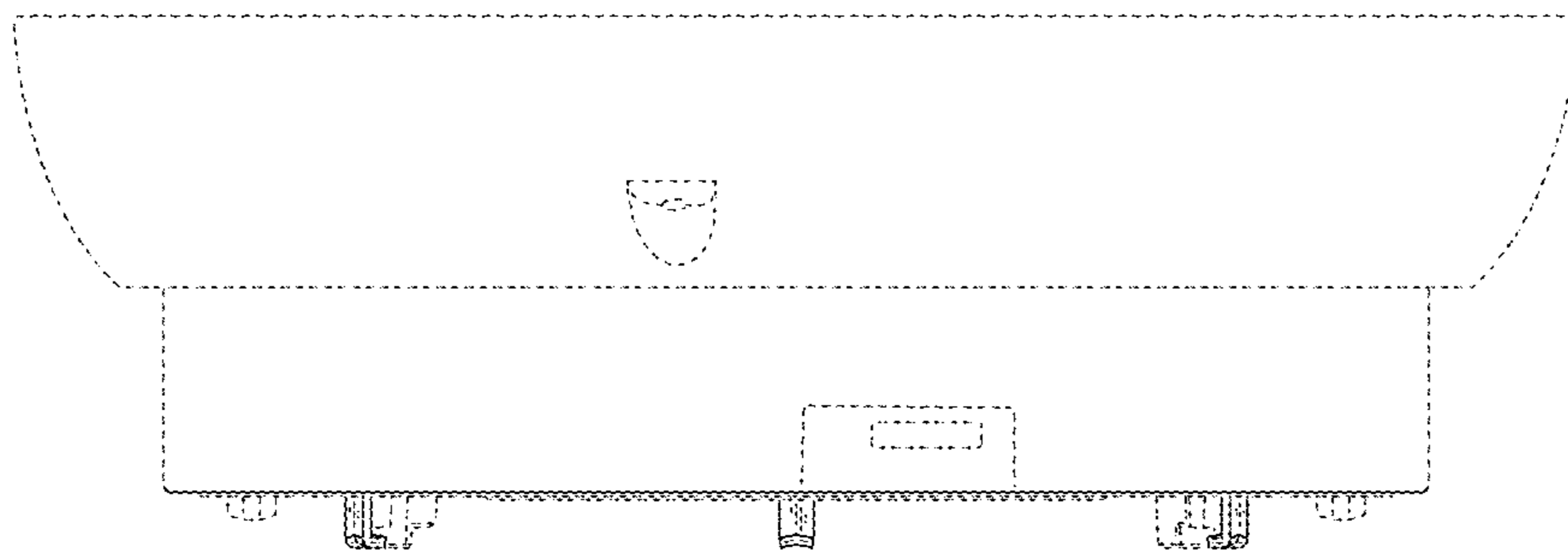


FIG.17

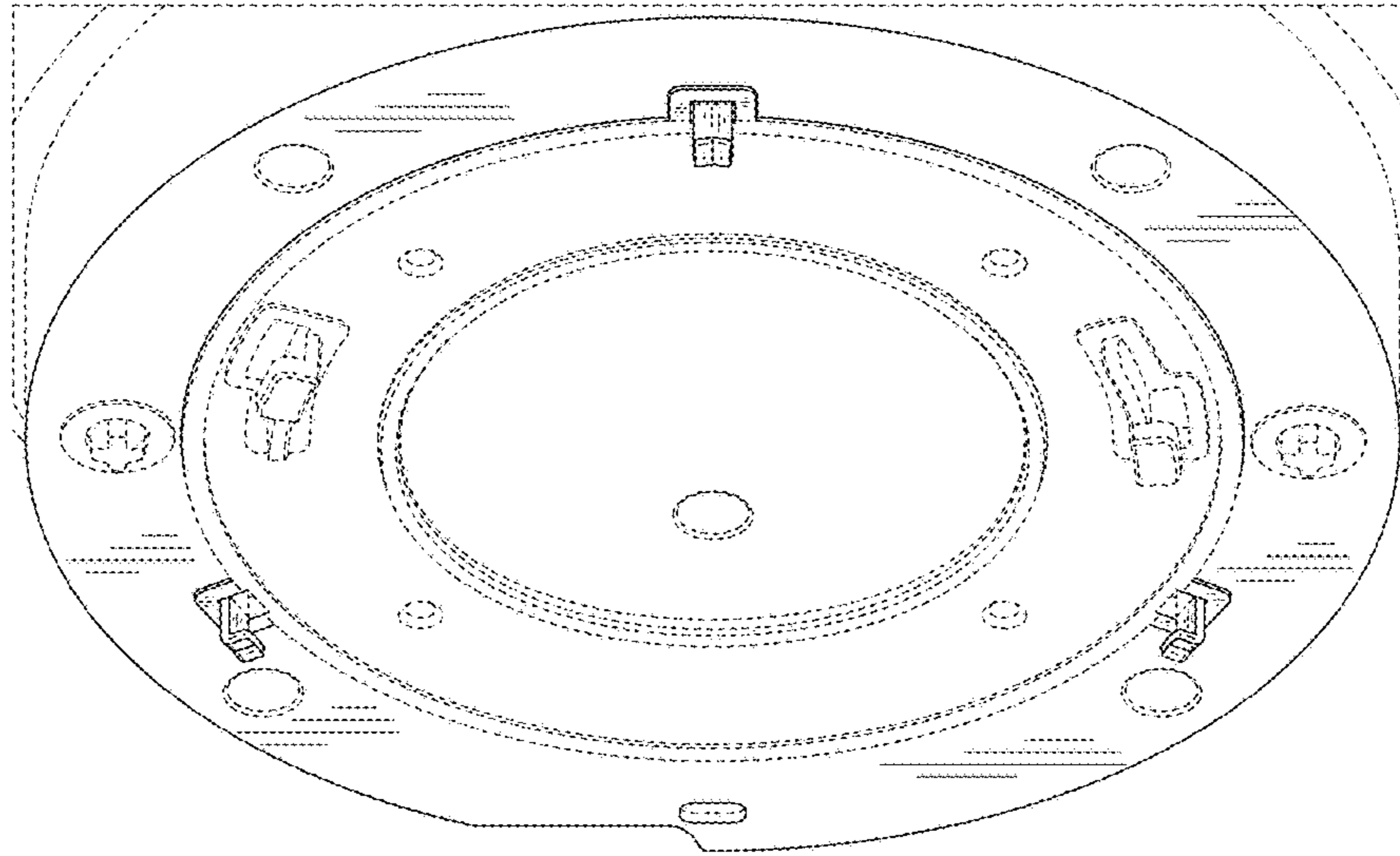


FIG.18

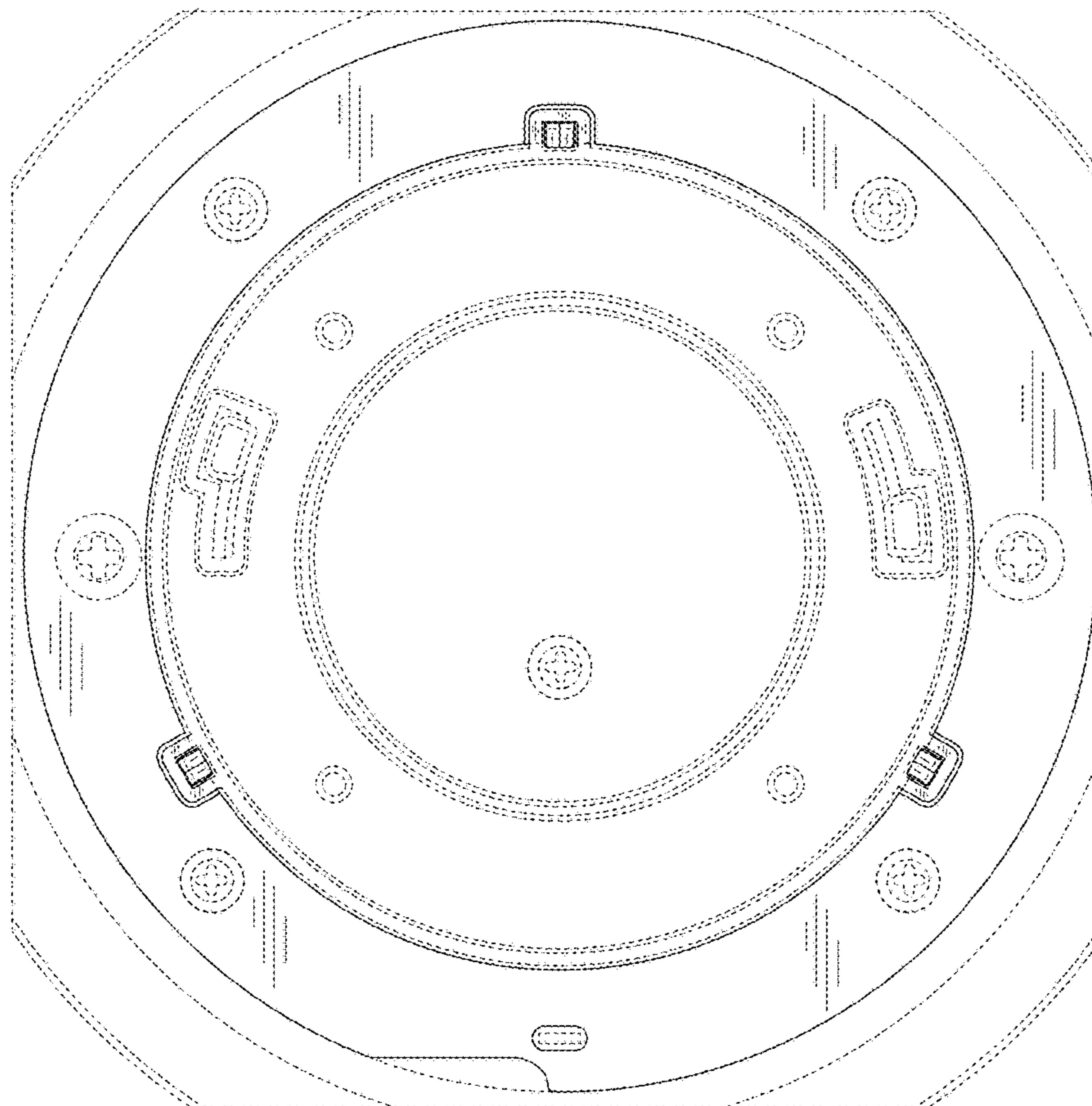


FIG.19

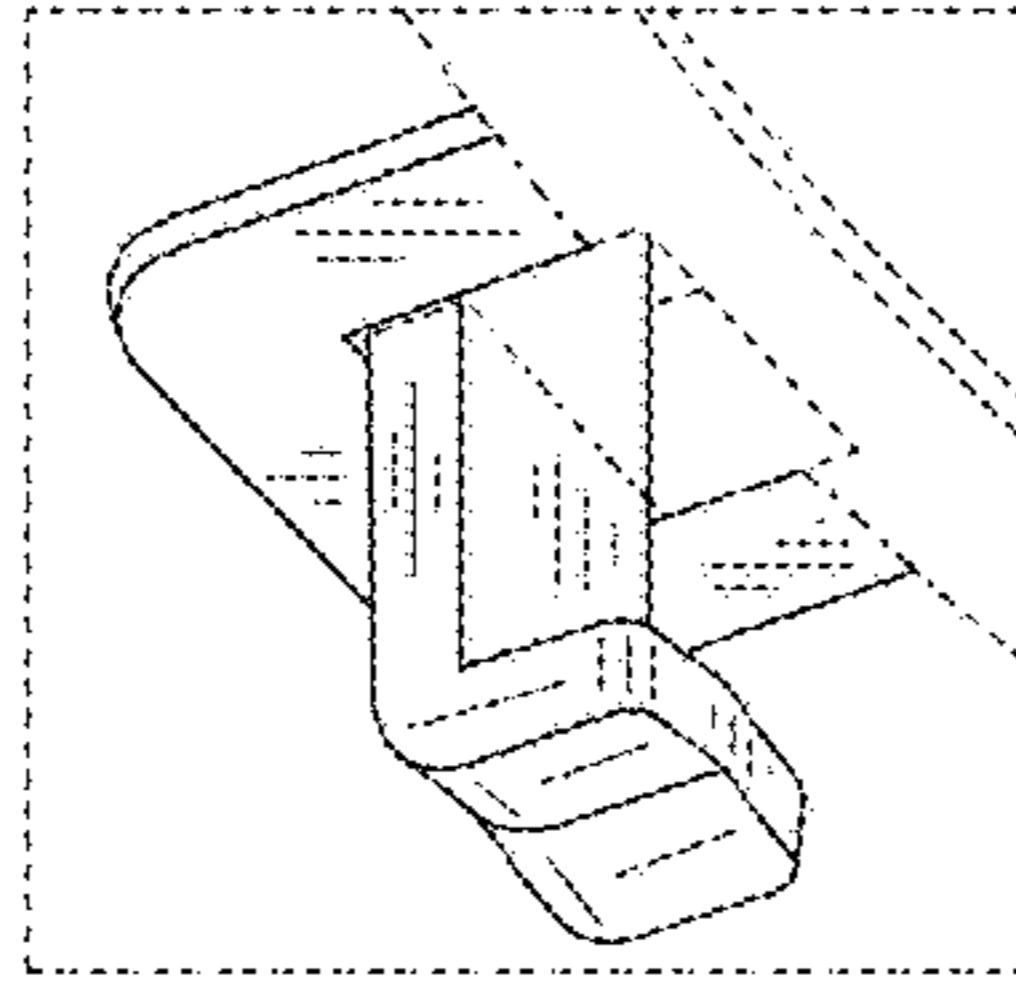


FIG.20

