



US00D856935S

(12) **United States Design Patent** (10) **Patent No.:** **US D856,935 S**
Pan et al. (45) **Date of Patent:** **** Aug. 20, 2019**

- (54) **POWER SUPPLY SOCKET** 6,329,596 B1 * 12/2001 Justiniano H02G 3/14
174/66
- (71) Applicant: **Ze Chen**, Yueqing, Zhejiang Province (CN) D462,660 S * 9/2002 Huang D13/139.3
D470,108 S * 2/2003 Daoxian D13/139.3
D494,139 S * 8/2004 Allen, Jr. D13/139.3
D502,687 S * 3/2005 Sherman D13/156
7,031,125 B2 * 4/2006 Germain H01H 73/14
361/42
- (72) Inventors: **Xincheng Pan**, Huizhou (CN); **Gui Chen**, Wenzhou (CN); **Hanliang Yu**, Tongzhou (CN) D532,376 S * 11/2006 Bazayev D13/139.3
D535,255 S * 1/2007 Bazayev D13/139.3
7,209,330 B2 * 4/2007 DiSalvo H01H 71/62
361/42
- (73) Assignee: **Ze Chen**, Yueqing (CN) D542,223 S * 5/2007 Bazayev D13/139.3
D545,272 S * 6/2007 Zhang D13/139.3
D571,730 S * 6/2008 Kidman D13/139.3
D581,873 S * 12/2008 Zhou D13/139.6
D604,873 S * 11/2009 Richter D13/177
D611,900 S * 3/2010 Yang D13/108
D674,753 S * 1/2013 Jansen D13/139.1
D686,159 S * 7/2013 Takahashi D13/147
D686,577 S * 7/2013 Flagello D13/152
- (**) Term: **15 Years**
- (21) Appl. No.: **29/546,138**
- (22) Filed: **Nov. 19, 2015**
- (30) **Foreign Application Priority Data**

Jul. 8, 2015 (CN) 2015 3 00242797

- (51) **LOC (12) Cl.** **13-03**
- (52) **U.S. Cl.**
USPC **D13/139.3**

- (58) **Field of Classification Search**
USPC ... D13/139.1-139.8, 137.1-137.4, 147, 154,
D13/108, 156, 146, 177, 152; 439/502,
439/139; 361/42; D14/433; 174/66
CPC H01H 71/62; H01H 73/14; H01H 83/04;
H02G 3/14; H02J 7/0004; A47B 21/06;
H01R 13/4534
See application file for complete search history.

(56) **References Cited**

U.S. PATENT DOCUMENTS

- D413,862 S * 9/1999 Huang D13/139.3
- D419,531 S * 1/2000 Keung D13/139.3
- D427,887 S * 7/2000 Leopold D13/154
- D430,539 S * 9/2000 Leopold D13/139.3
- 6,278,062 B1 * 8/2001 Sowdon H02G 3/14
174/66
- D451,479 S * 12/2001 Bateson D13/152

- D532,376 S * 11/2006 Bazayev D13/139.3
- D535,255 S * 1/2007 Bazayev D13/139.3
- 7,209,330 B2 * 4/2007 DiSalvo H01H 71/62
361/42
- D542,223 S * 5/2007 Bazayev D13/139.3
- D545,272 S * 6/2007 Zhang D13/139.3
- D571,730 S * 6/2008 Kidman D13/139.3
- D581,873 S * 12/2008 Zhou D13/139.6
- D604,873 S * 11/2009 Richter D13/177
- D611,900 S * 3/2010 Yang D13/108
- D674,753 S * 1/2013 Jansen D13/139.1
- D686,159 S * 7/2013 Takahashi D13/147
- D686,577 S * 7/2013 Flagello D13/152

(Continued)

Primary Examiner — Rhea Shields

(74) Attorney, Agent, or Firm — Mei & Mark LLP

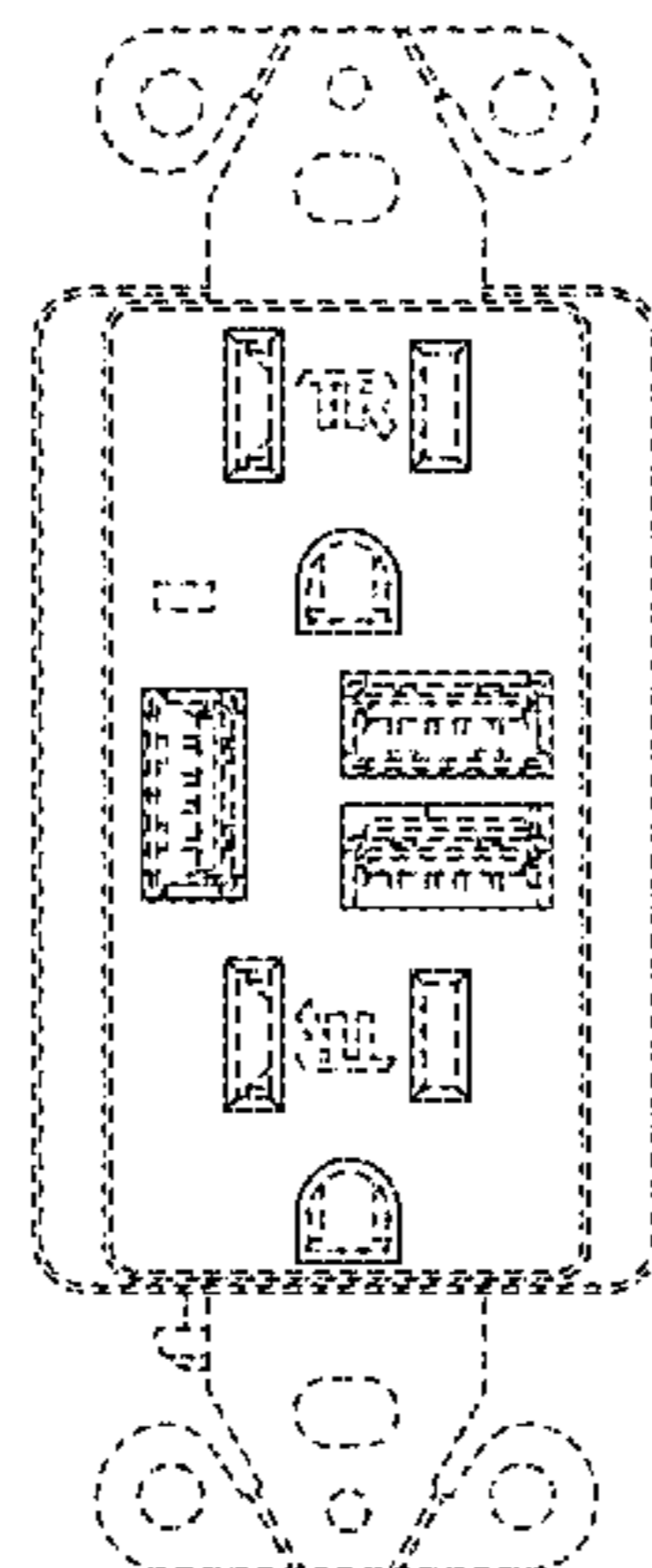
(57) **CLAIM**

The ornamental design for a power supply socket, as shown and described.

DESCRIPTION

FIG. 1 is a front view of a power supply socket showing a first embodiment of my new design;
 FIG. 2 is a front top right perspective side view thereof;
 FIG. 3 is a front view of a power supply socket showing a second embodiment of my new design; and,
 FIG. 4 is a front top right perspective side view thereof.
 The portions depicted in broken lines are environment and form no part of the claimed design. The portions of the power supply socket not shown in the drawings are not visible during use and form no part of the claimed design.

1 Claim, 2 Drawing Sheets



(56)

References Cited

U.S. PATENT DOCUMENTS

D692,385 S * 10/2013 Dodal D13/139.1
D693,305 S * 11/2013 Kuo D13/137.2
D703,139 S * 4/2014 Dodal D13/139.1
D705,734 S * 5/2014 Dodal D13/139.1
D713,344 S * 9/2014 Padro D13/139.3
D714,227 S * 9/2014 Buck et al. D13/154
D715,225 S * 10/2014 Mininger D13/139.4
D718,243 S * 11/2014 Scholeno D13/147
D719,511 S * 12/2014 Dodal D13/139.1
D719,512 S * 12/2014 Roy D13/139.6
D721,330 S * 1/2015 Byrne D13/146
D722,562 S * 2/2015 Restrepo D13/139.1
D731,432 S * 6/2015 Murphy D13/139.1
D734,253 S * 7/2015 Tinaphong H02J 7/0004
D13/108
D740,291 S * 10/2015 Turksu D14/433
D742,825 S * 11/2015 Tsou D13/108
D744,950 S * 12/2015 Murphy D13/139.1
D744,952 S * 12/2015 Ni D13/139.3
D747,722 S * 1/2016 Webb D14/433
D762,172 S * 7/2016 Pignotti D13/108
D772,879 S * 11/2016 Eliyahu D14/433
D786,874 S * 5/2017 Eliyahu D14/433
9,706,833 B2 * 7/2017 Newhouse A47B 21/06
D793,343 S * 8/2017 Byrne D13/152
D795,195 S * 8/2017 Morrison D13/146
D804,419 S * 12/2017 Hayes D13/139.4
D813,818 S * 3/2018 Ni D13/137.2
2011/0104918 A1 * 5/2011 Chen H01R 13/4534
439/136
2013/0038968 A1 * 2/2013 Chen H01H 83/04
361/42

* cited by examiner

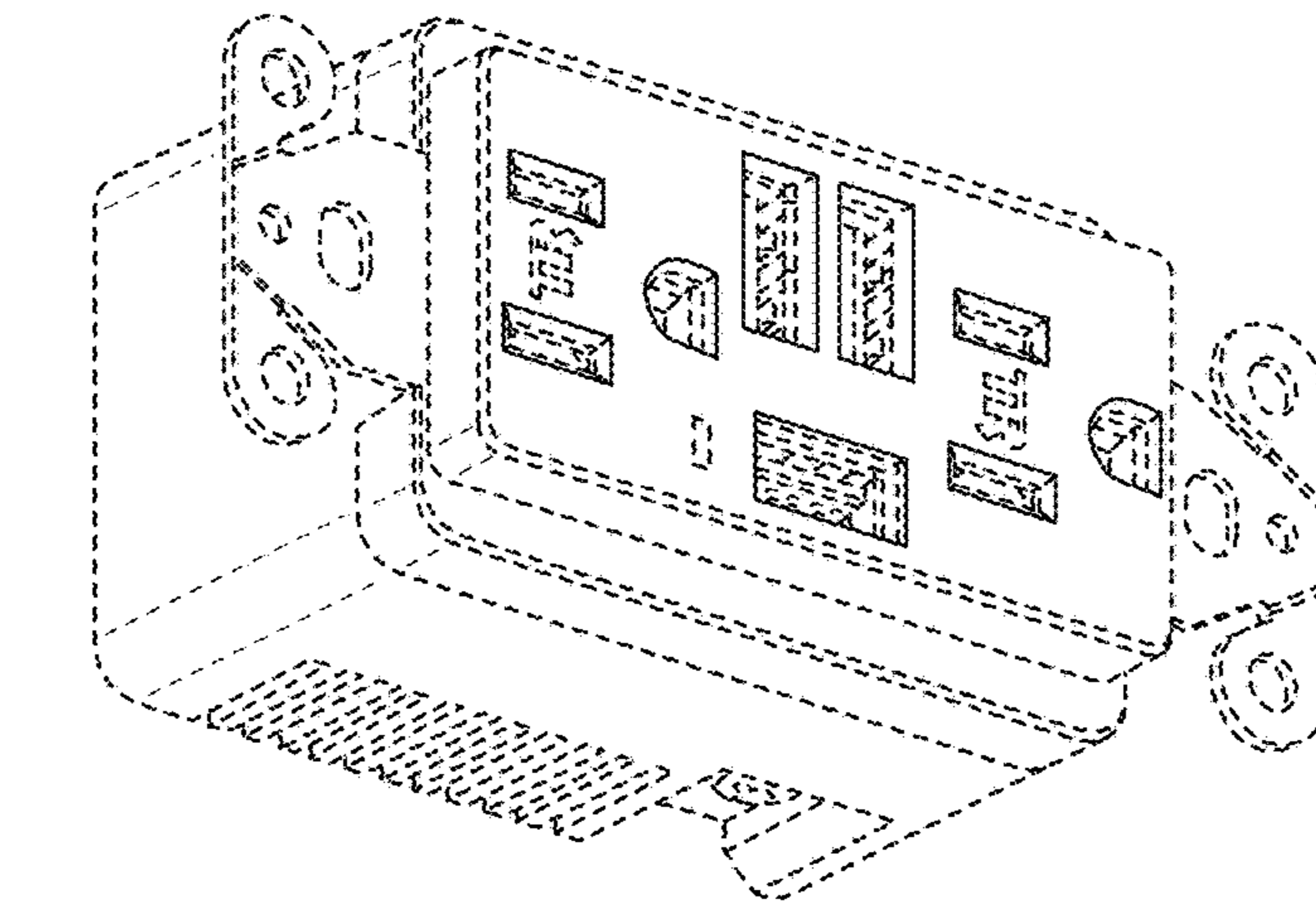


FIG. 1

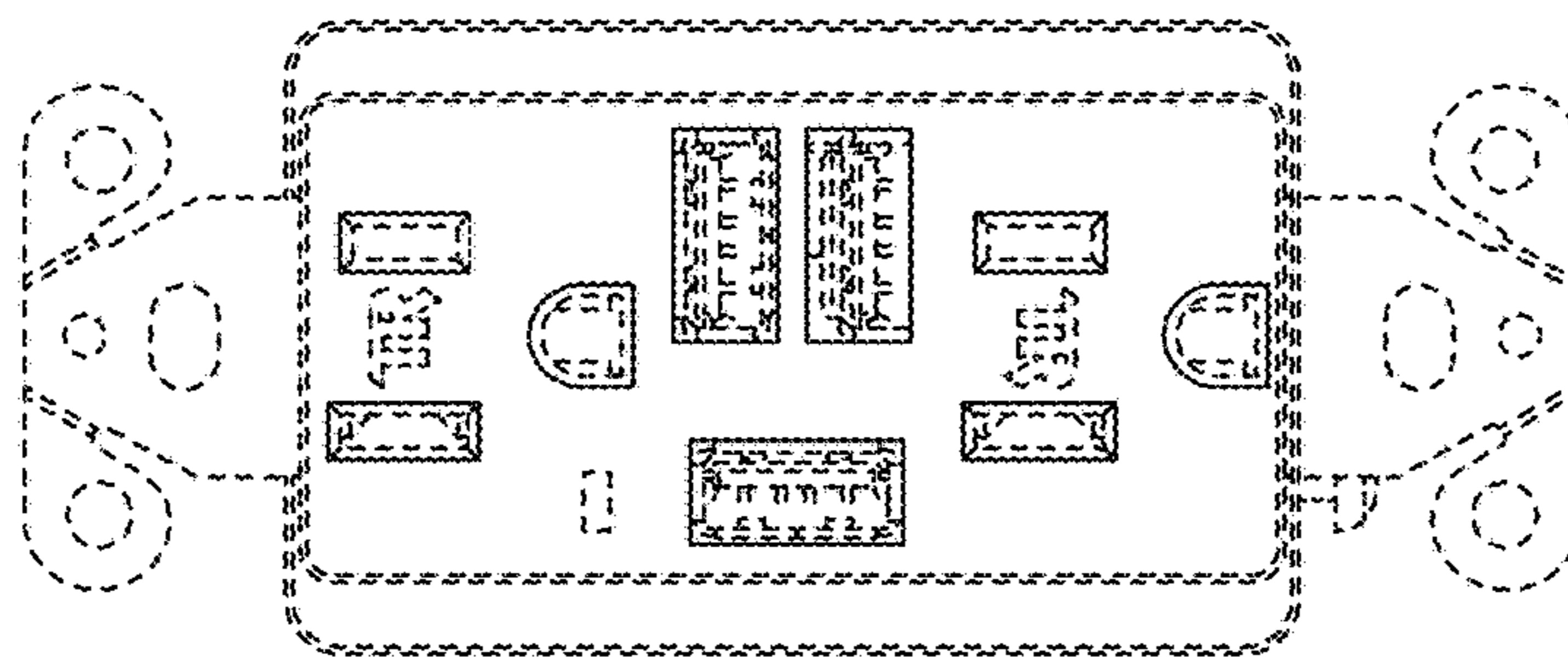


FIG. 2

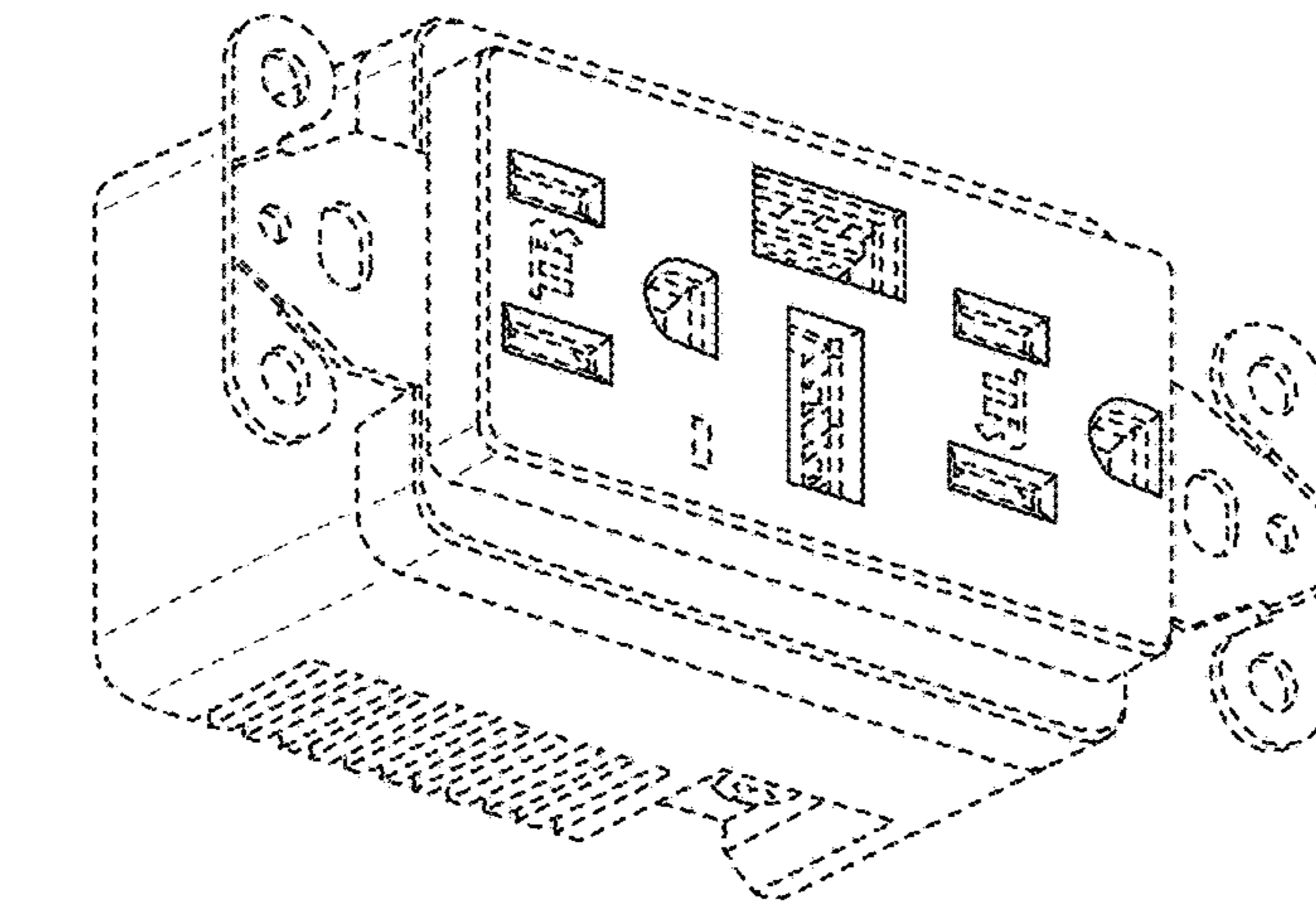


FIG. 3

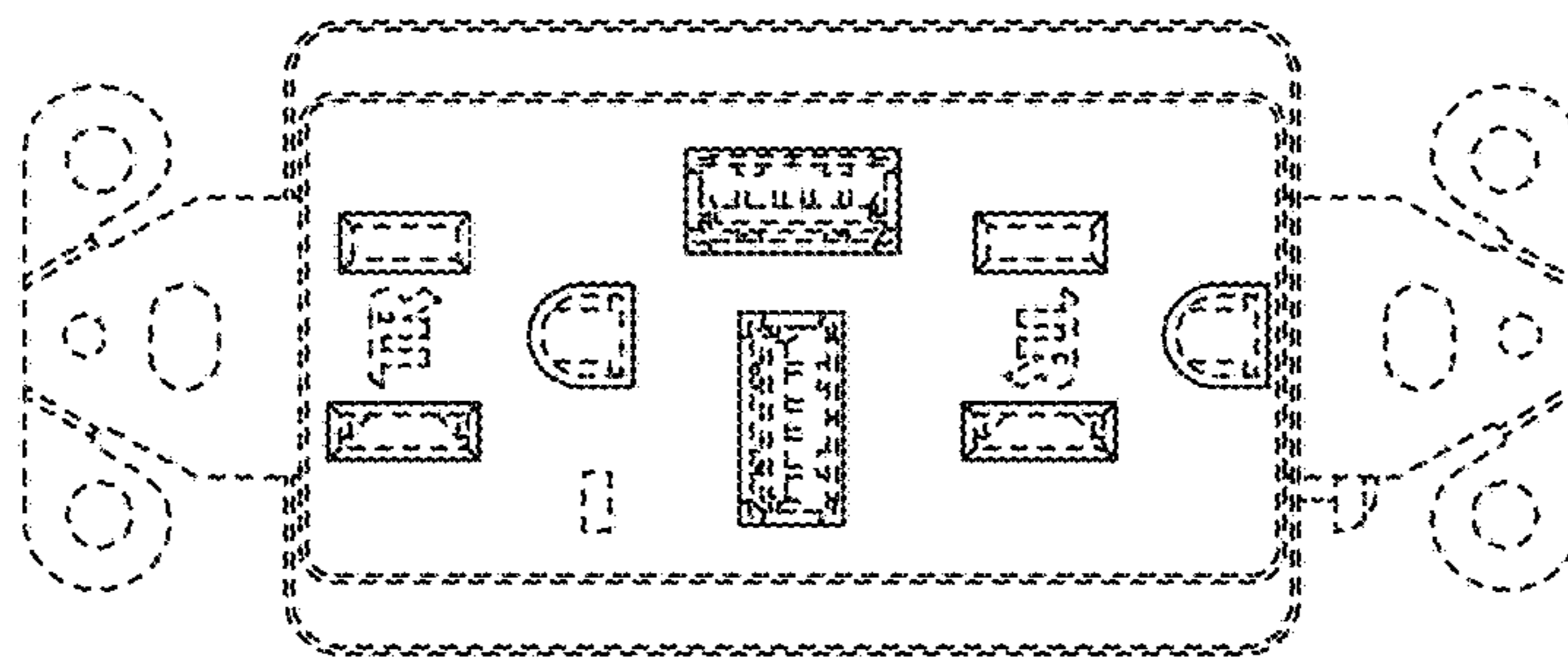


FIG. 4