



US00D856934S

(12) **United States Design Patent**
Levy et al.

(10) **Patent No.:** **US D856,934 S**

(45) **Date of Patent:** **** Aug. 20, 2019**

(54) **WALL OUTLET ADAPTER**

(71) Applicant: **NAVAJO MANUFACTURING COMPANY, INC.**, Denver, CO (US)

(72) Inventors: **Gordon Levy**, Golden, CO (US);
Shawn Shelton, Denver, CO (US)

(73) Assignee: **Navajo Manufacturing Company, Inc.**, Denver, CO (US)

(**) Term: **15 Years**

(21) Appl. No.: **29/637,180**

(22) Filed: **Feb. 14, 2018**

(51) **LOC (12) Cl.** **13-03**

(52) **U.S. Cl.**
USPC **D13/137.2**

(58) **Field of Classification Search**
USPC D13/107, 108, 110, 123, 133,
D13/137.1-137.4, 138.1-138.2,
D13/139.1-139.8, 147, 152-154, 158,
D13/160; D14/433; D8/356
CPC .. H01R 25/00; H01R 25/006; H01R 13/6675;
H01R 13/10; H01R 13/44; H01R 13/66;
H01R 13/652; H01R 31/00; H01R
31/065; H01R 11/00; H01R 9/00; H01H
2207/00; H01H 2207/022; H05K 5/00
See application file for complete search history.

(56) **References Cited**

U.S. PATENT DOCUMENTS

D468,848 S * 1/2003 Schenck D13/137.2
D469,062 S * 1/2003 Nieto D13/137.2

D651,974 S * 1/2012 Benedetti D13/137.2
8,872,390 B2 * 10/2014 Buchheim G01D 4/006
307/140
D735,669 S * 8/2015 Kelly D13/138.1
9,564,713 B1 * 2/2017 Lo H01R 13/6395
D832,214 S * 10/2018 Porter D13/133
10,161,806 B2 * 12/2018 Lermann G05B 15/02
10,194,296 B2 * 1/2019 Tetreault G01K 1/024

* cited by examiner

Primary Examiner — Rosemary K Tarcza

Assistant Examiner — Christy M Nemeth

(74) *Attorney, Agent, or Firm* — Studebaker & Brackett
PC

(57) **CLAIM**

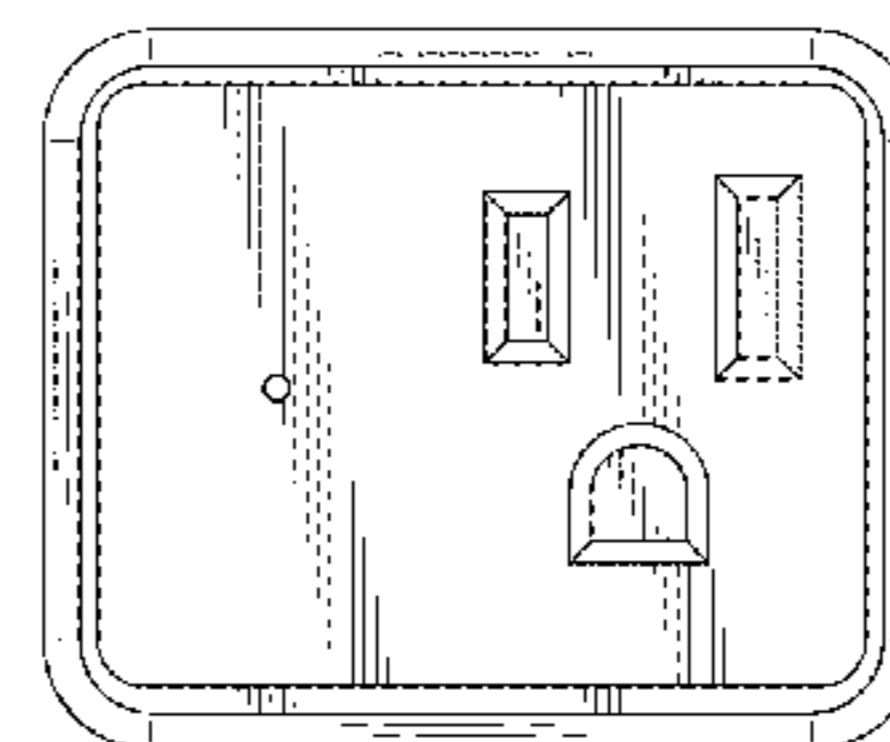
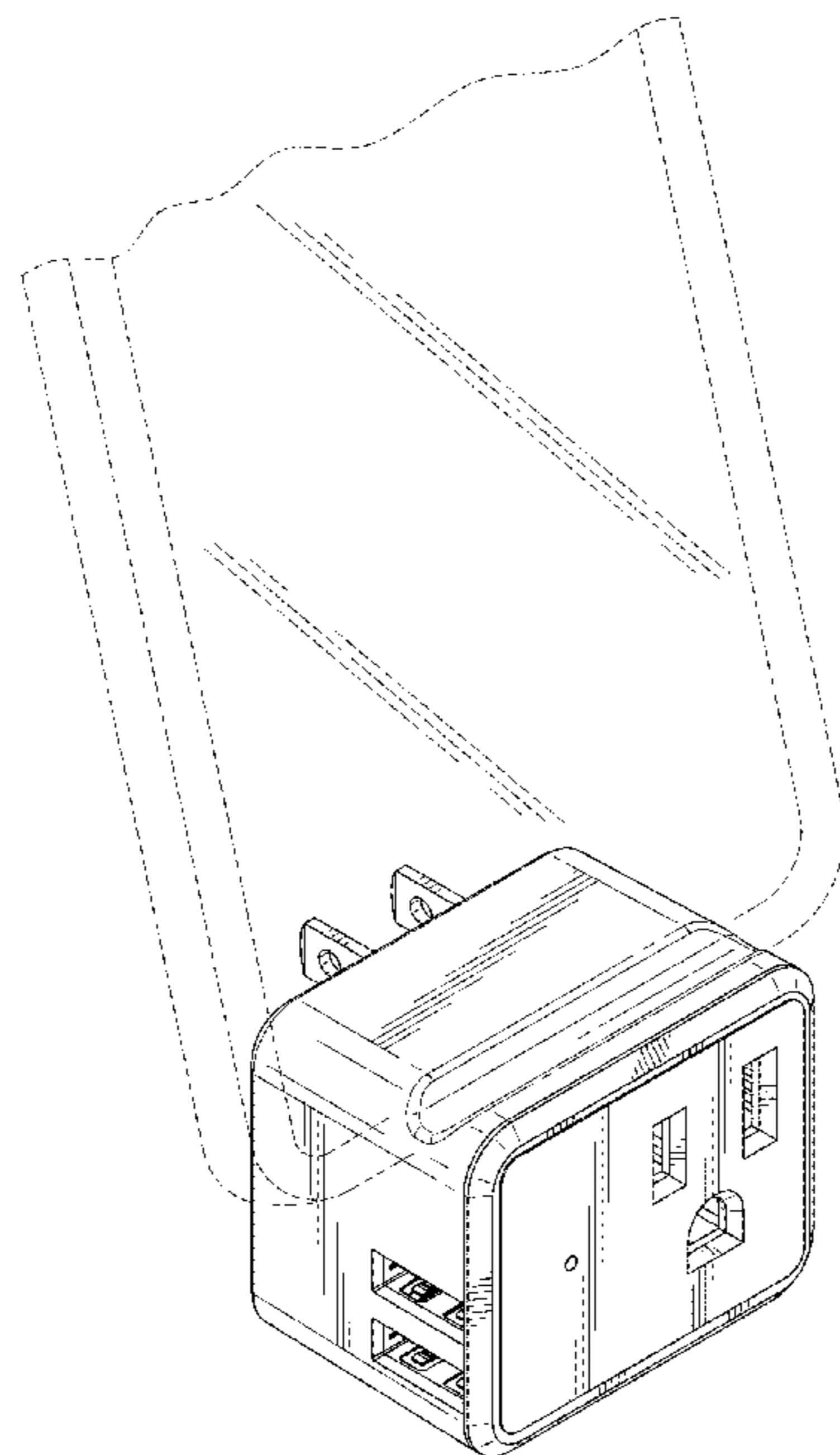
The ornamental design for a wall outlet adapter, as shown and described.

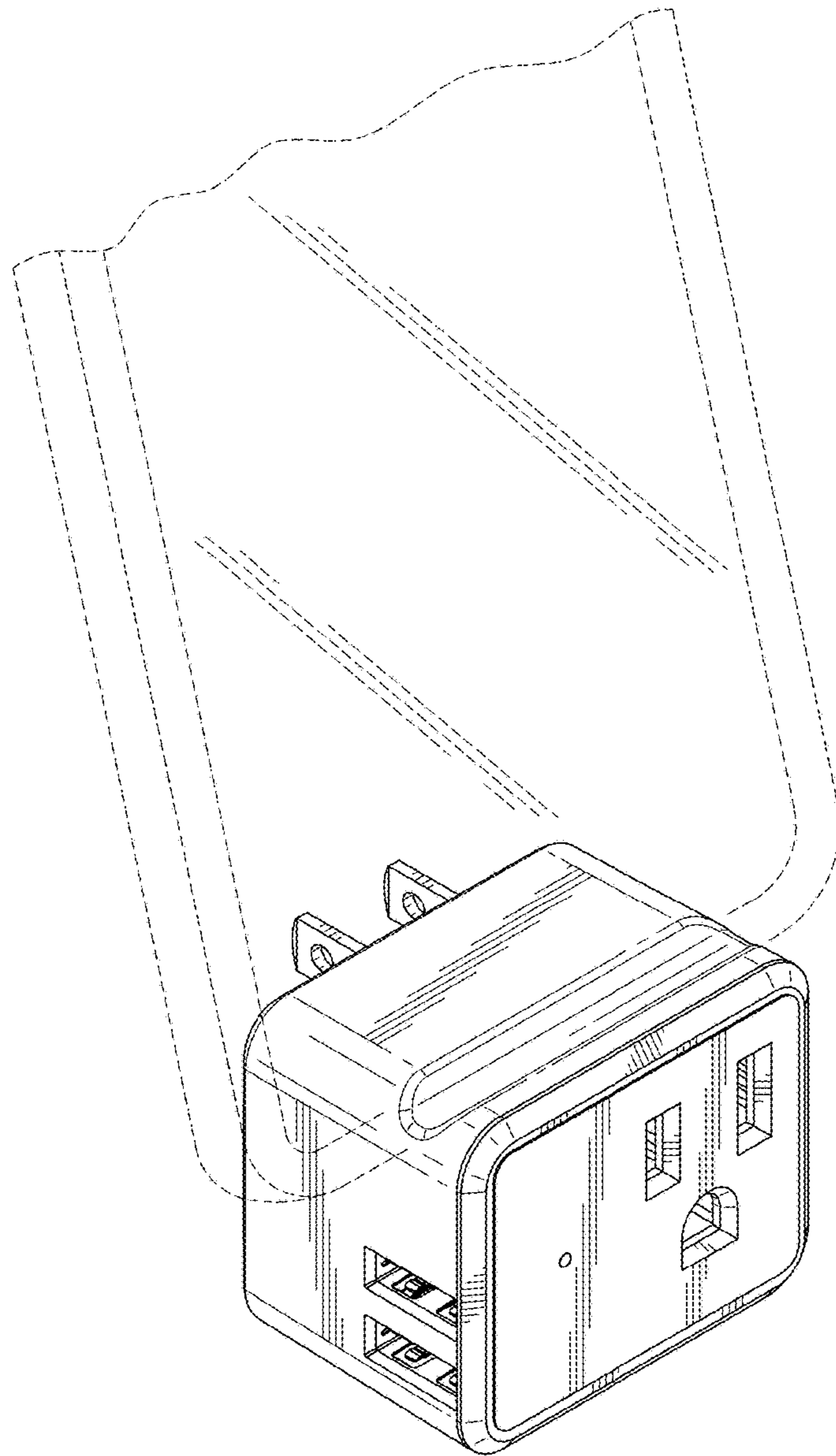
DESCRIPTION

FIG. 1 is a front perspective view showing our new design for a wall outlet adapter,
FIG. 2 is a front view thereof,
FIG. 3 is a rear view thereof,
FIG. 4 is a top view thereof,
FIG. 5 is a bottom view thereof,
FIG. 6 is a left side view thereof; and,
FIG. 7 is a right side view thereof.

The broken lines in the drawings are for the purpose of illustrating environmental subject matter which forms no part of the claimed design.

1 Claim, 3 Drawing Sheets





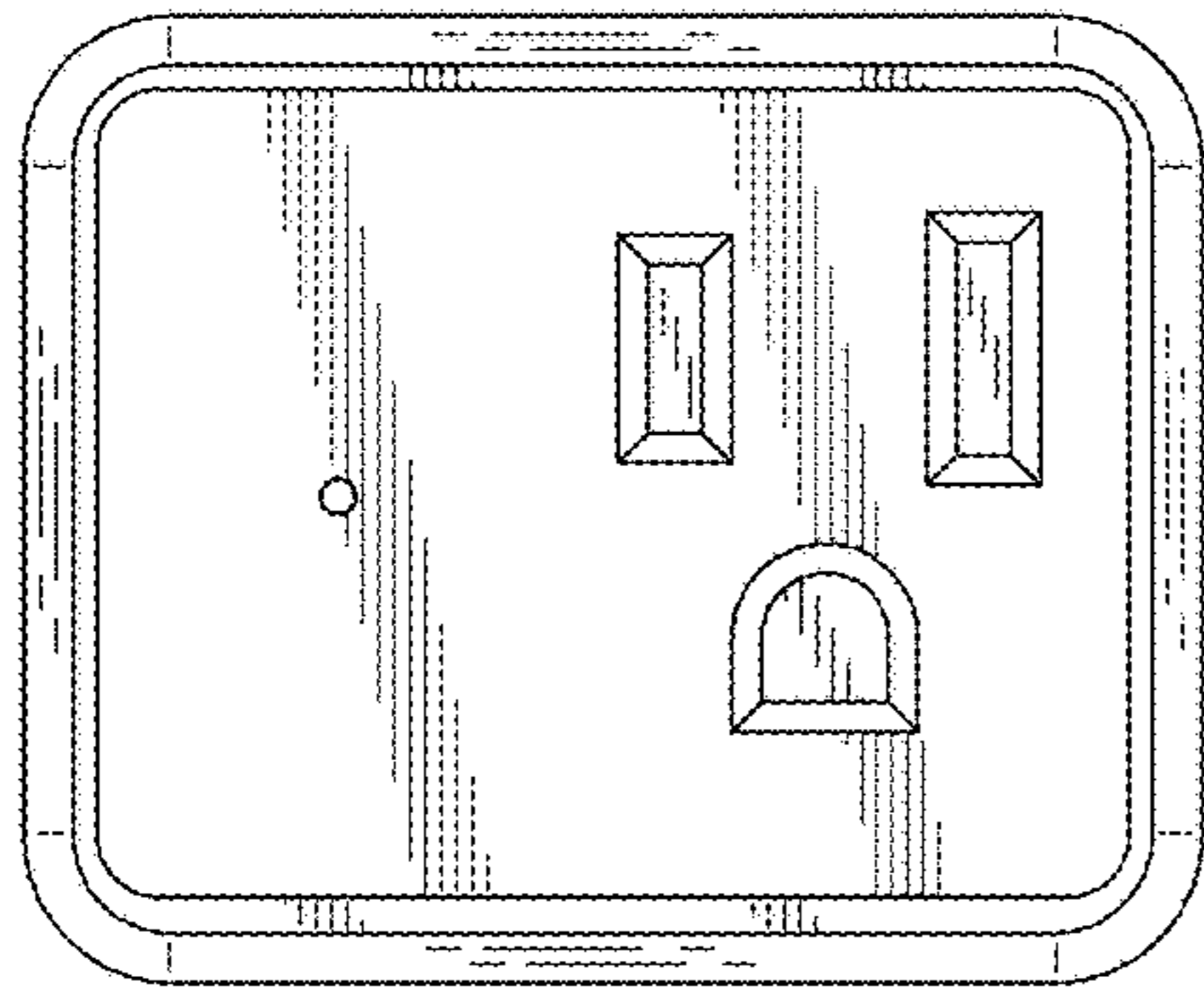


FIG. 2

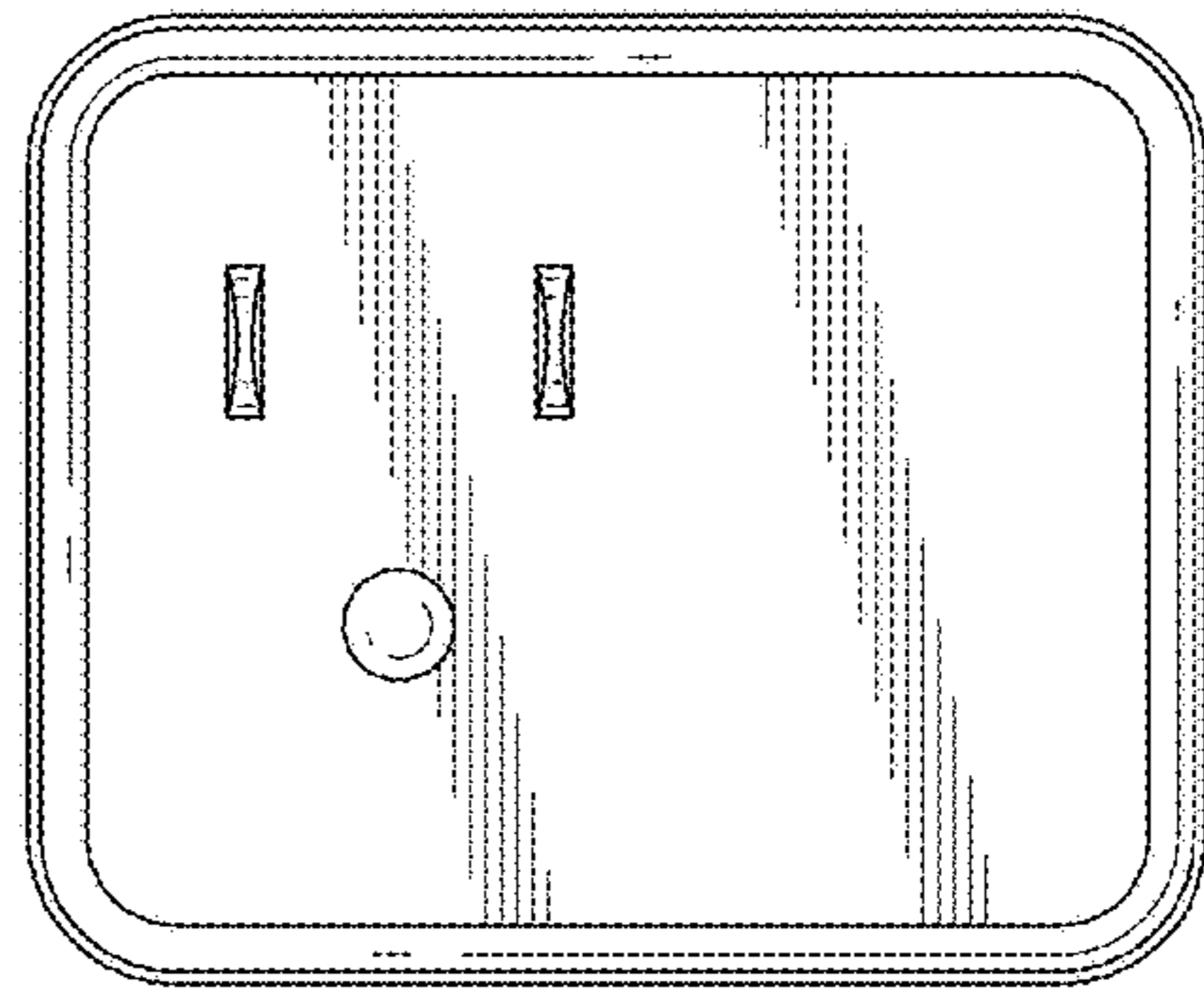


FIG. 3

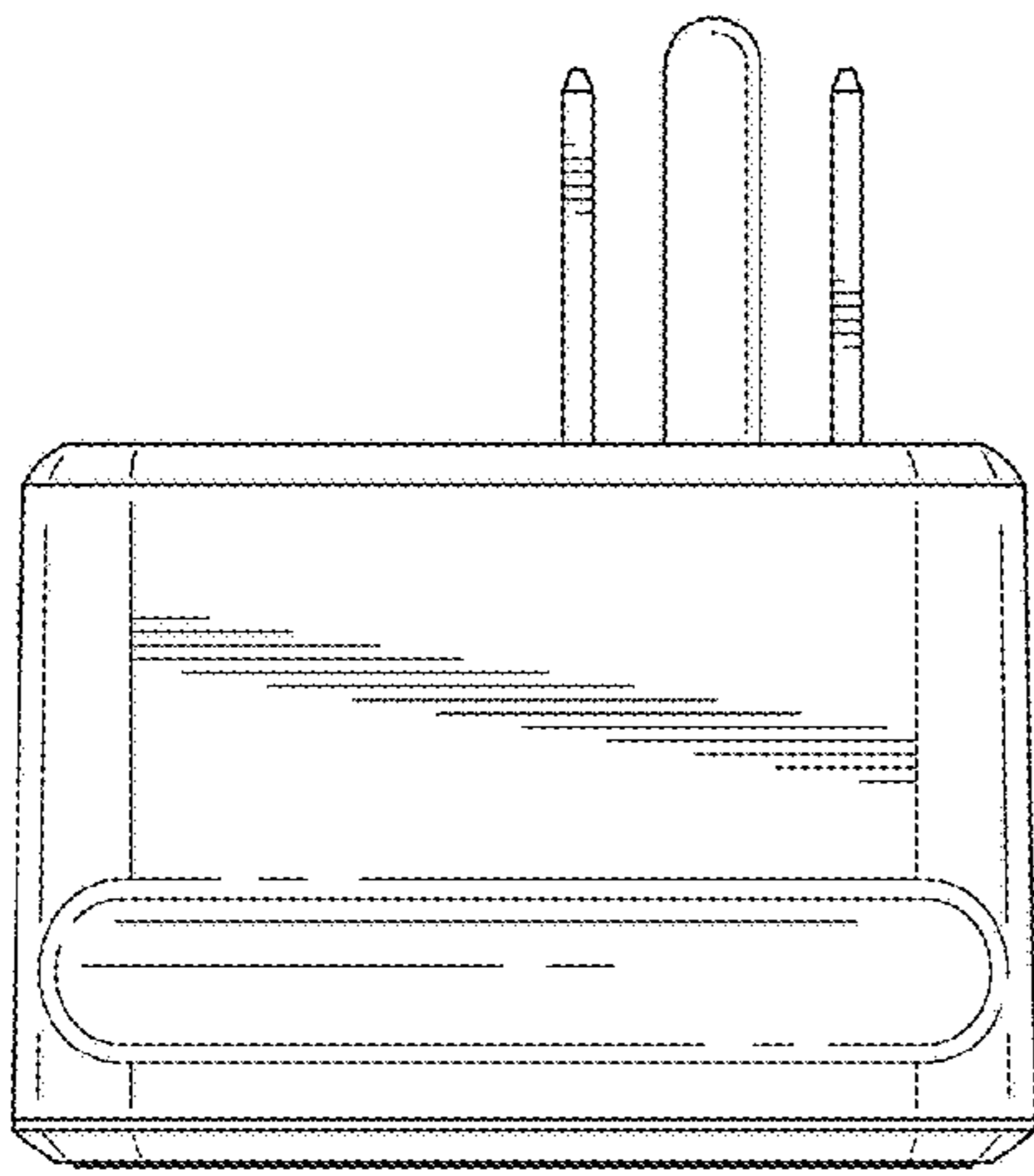


FIG. 4

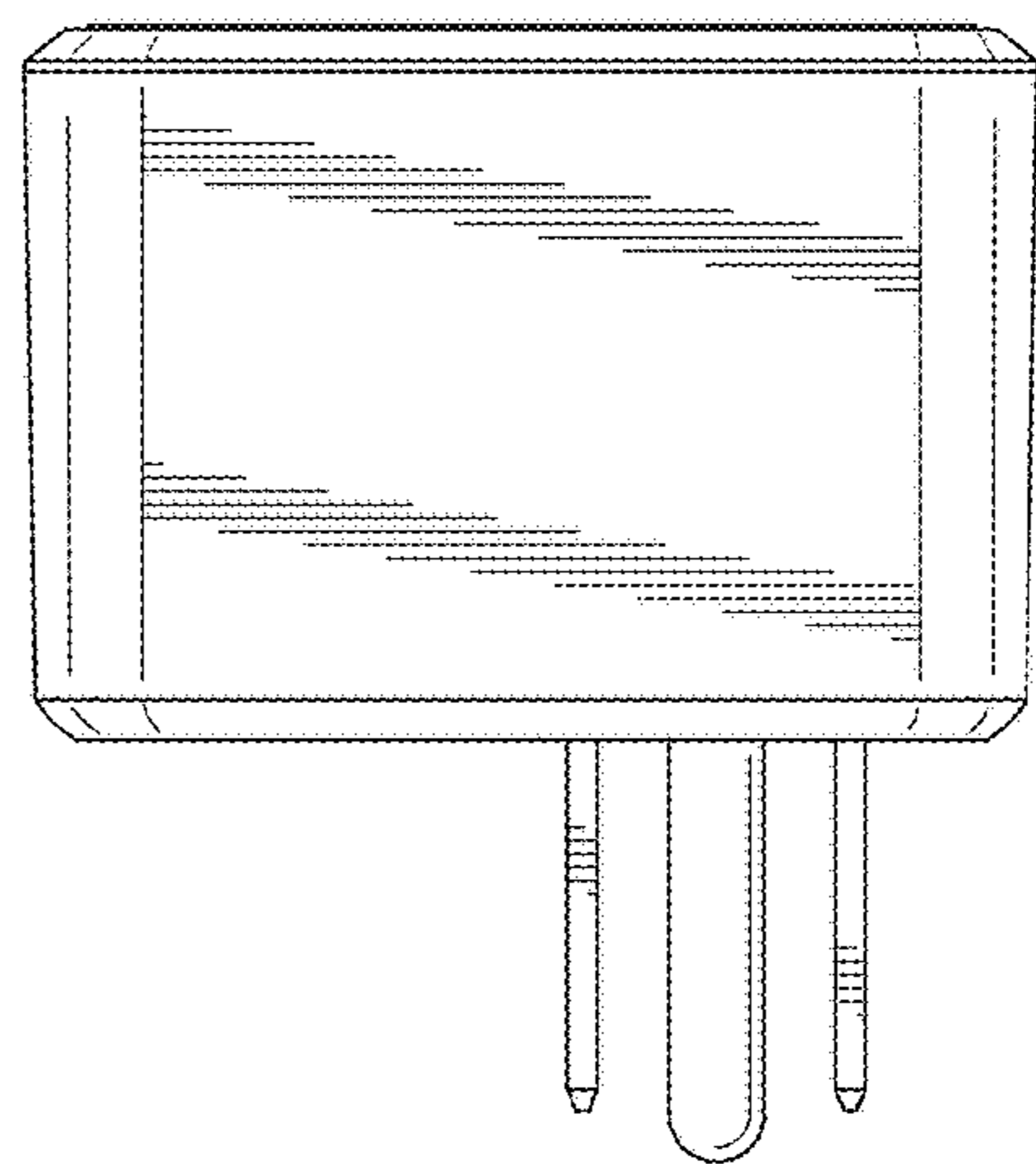


FIG. 5

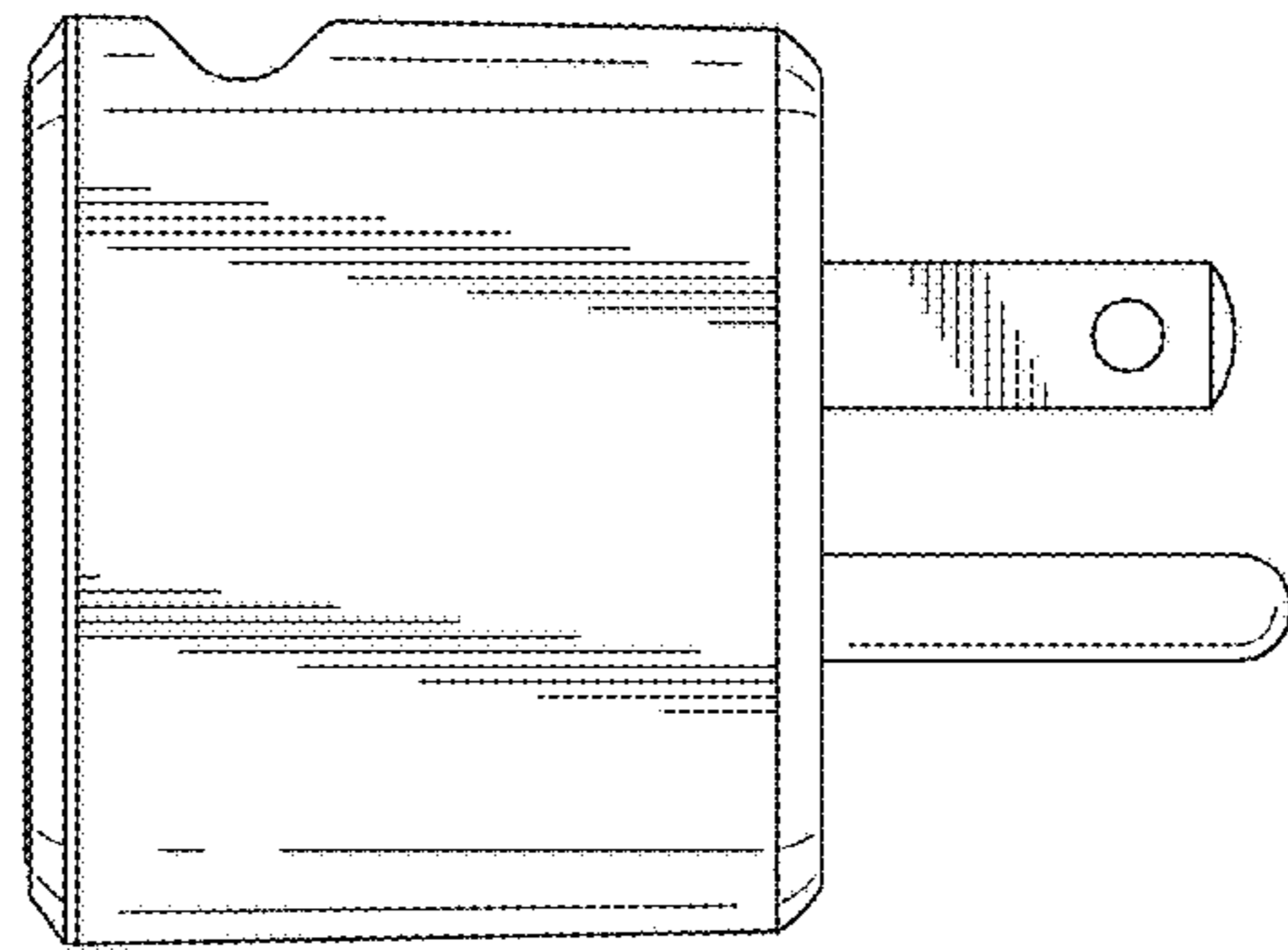


FIG. 6

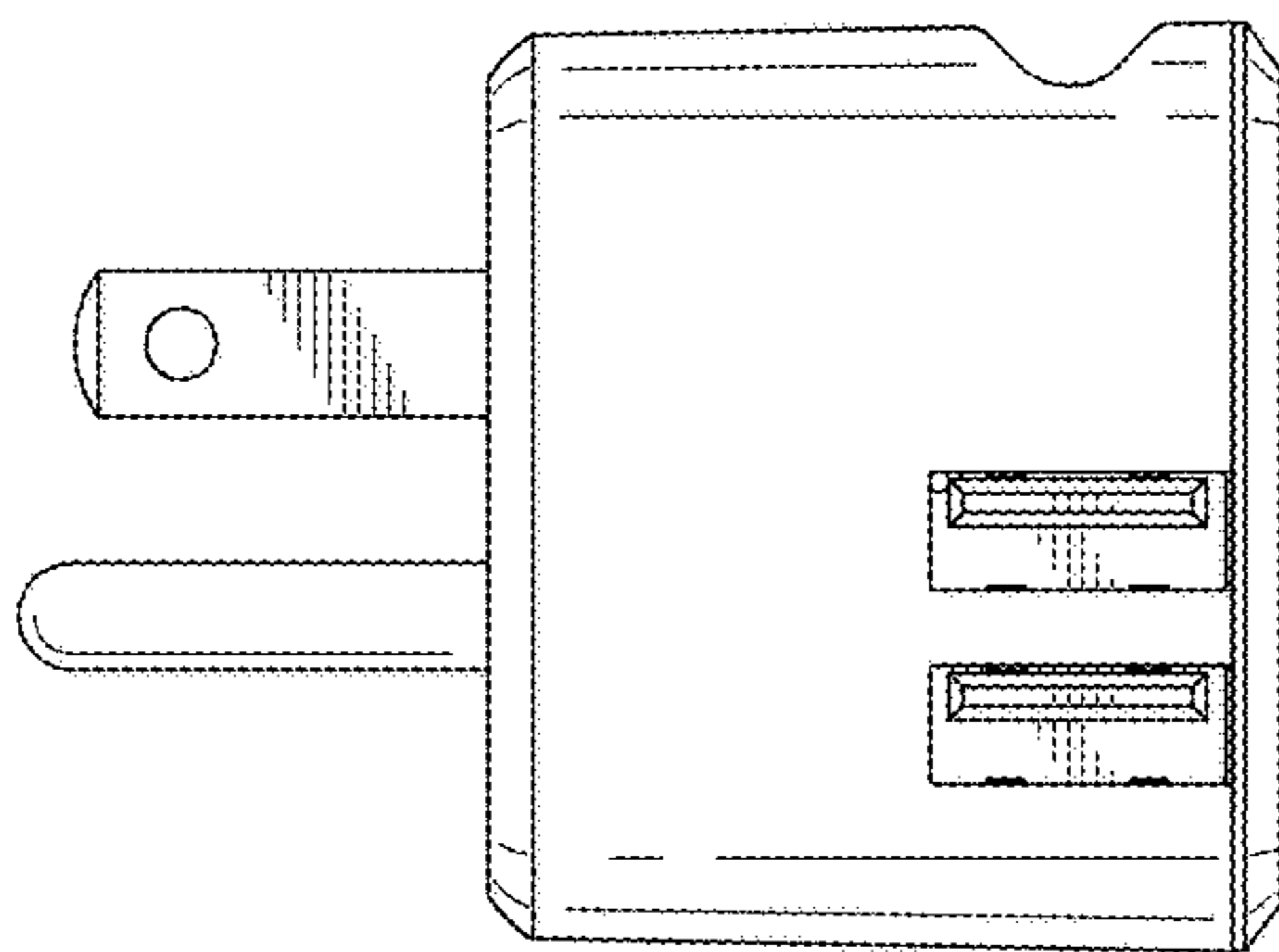


FIG. 7