

US00D856932S

(12) **United States Design Patent**
Yoshino

(10) **Patent No.:** **US D856,932 S**

(45) **Date of Patent:** **** Aug. 20, 2019**

(54) **ELECTRICAL CONNECTOR HOUSING**

(71) Applicant: **Tyco Electronics Japan G.K.**,
Kanagawa (JP)

(72) Inventor: **Hikomichi Yoshino**, Kanagawa-ken (JP)

(73) Assignee: **Tyco Electronics Japan G.K.**,
Kanagawa (JP)

(**) Term: **15 Years**

(21) Appl. No.: **29/607,274**

(22) Filed: **Jun. 12, 2017**

(30) **Foreign Application Priority Data**

Dec. 13, 2016 (JP) 2016-027014

(51) **LOC (12) Cl.** **13-03**

(52) **U.S. Cl.**
USPC **D13/133**

(58) **Field of Classification Search**
USPC D13/118-120, 122, 123, 133, 144, 146,
D13/147, 149-151, 153, 154, 173, 174,
D13/178, 184, 199; D14/432, 433
(Continued)

(56) **References Cited**

U.S. PATENT DOCUMENTS

D323,139 S * 1/1992 Inaba D13/133
D323,143 S * 1/1992 Ohkura D13/133
(Continued)

Primary Examiner — Angela J Lee

Assistant Examiner — Shawn T Gingrich

(74) *Attorney, Agent, or Firm* — Barley Snyder

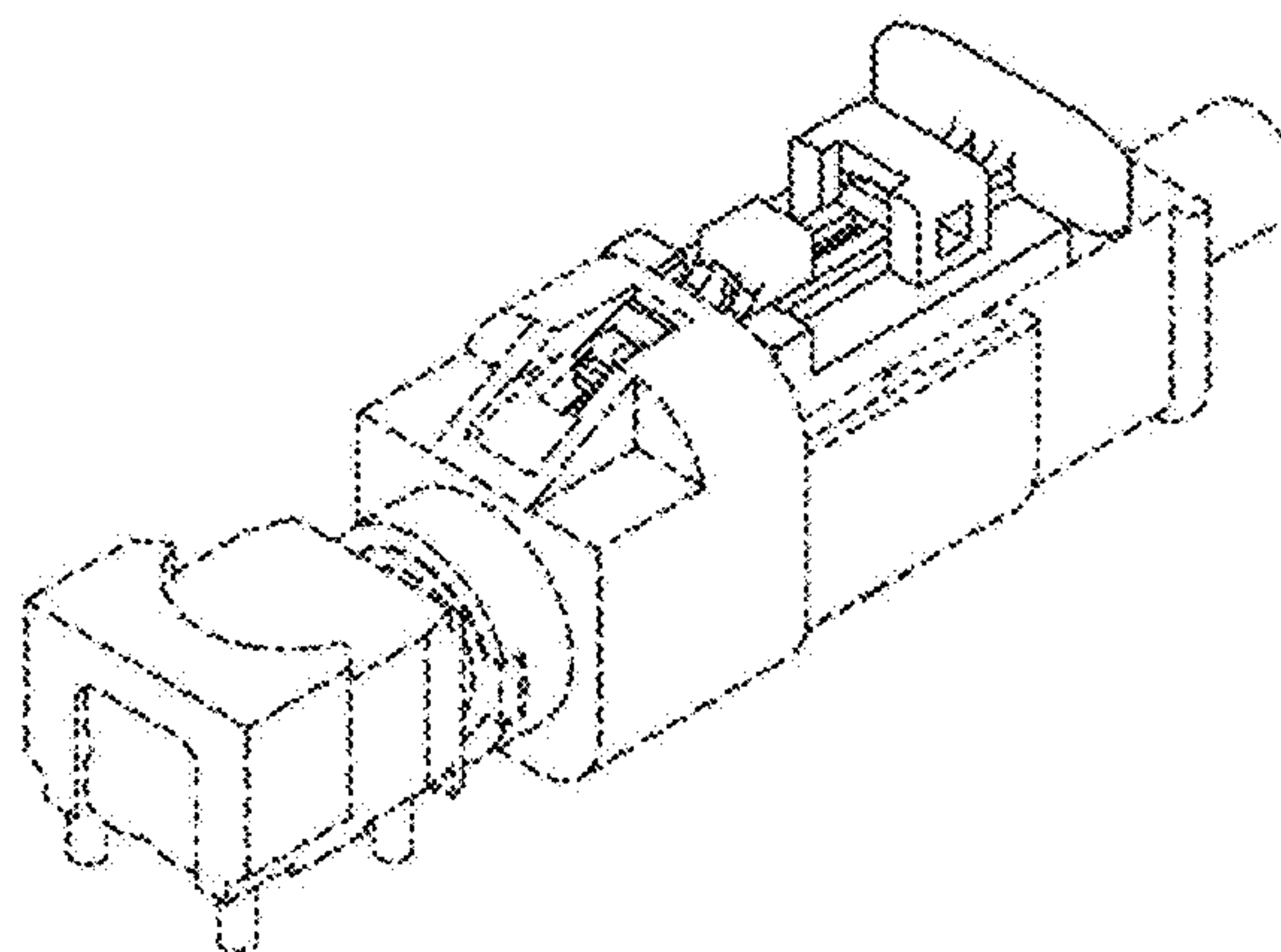
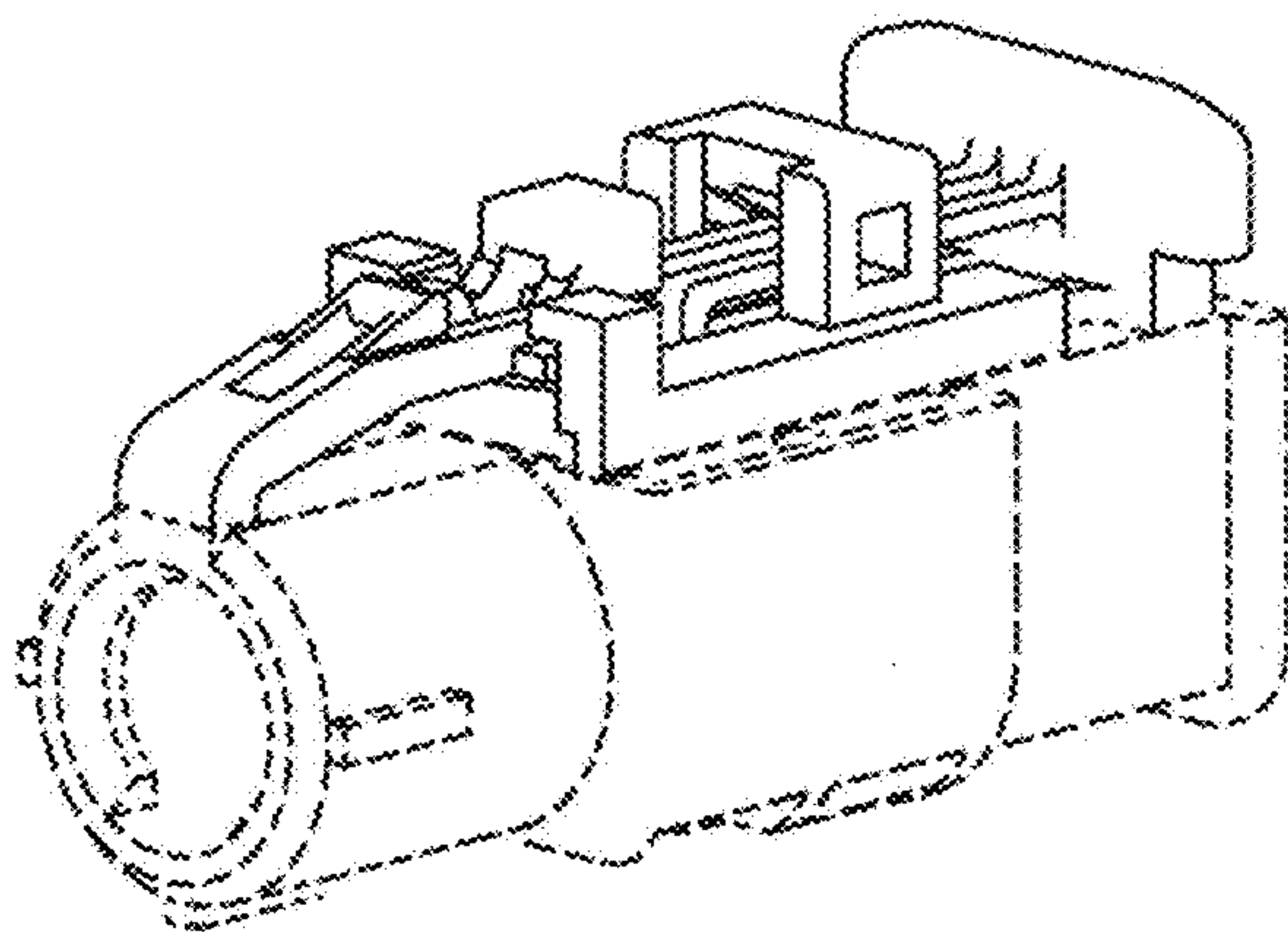
(57) **CLAIM**

The ornamental design for an electrical connector housing,
as shown and described.

DESCRIPTION

FIG. 1 is a top plan view of an electrical connector housing,
showing the new design;
FIG. 2 is a front plan view thereof;
FIG. 3 is a rear plan view thereof;
FIG. 4 is a bottom plan view thereof;
FIG. 5 is a left side elevation view thereof;
FIG. 6 is a right side elevation view thereof;
FIG. 7 is a front, top and right side perspective view thereof;
FIG. 8 is a front, bottom and right side perspective view
thereof;
FIG. 9 is a rear, top and left side perspective view thereof;
FIG. 10 is a rear, bottom and left side perspective view
thereof;
FIG. 11 is a front, top and right side view showing a mating
state with a mating connector in which a CPA (Connector
Position Assurance) member is pushed into the connector
housing thereof;
FIG. 12 is a top plan view of the housing showing the state
where the CPA member is pushed into the housing thereof;
FIG. 13 is a front view of the housing showing the state
where the CPA member is pushed into the housing thereof;
FIG. 14 is a rear view of the housing showing the state where
the CPA member is pushed into the housing thereof;
FIG. 15 is a bottom view of the housing showing the state
where the CPA member is pushed into the housing thereof;
FIG. 16 is a left side view of the housing showing the state
where the CPA member is pushed into the housing; thereof;
and,
FIG. 17 is a right side view of the housing showing the state
where the CPA member is pushed into the housing.
The light weight broken lines shown in the drawings are
included for the purposes of illustrating environmental struc-
ture and forms no part of the claimed design. The heavy
weight broken lines shown in the drawing represent a claim
boundary and forms no part of the claimed design.

1 Claim, 17 Drawing Sheets



(58) **Field of Classification Search**

CPC ... G02B 6/00; G02B 6/36; G02B 6/38; G02B
 6/383; H01R 4/24; H01R 4/26; H01R
 4/70; H01R 13/50; H01R 13/501; H01R
 13/506; H01R 13/58; H01R 13/582;
 H01R 13/5816; H01R 24/58

See application file for complete search history.

(56) **References Cited**

U.S. PATENT DOCUMENTS

D323,810	S *	2/1992	Sueyoshi	D13/133
D324,027	S *	2/1992	Sueyoshi	D13/133
D325,024	S *	3/1992	Suzuki	D13/133
5,643,003	A *	7/1997	Myer	H01R 13/6272
				439/352
6,280,226	B1 *	8/2001	Takatsuki	H01R 13/6272
				439/354
6,780,045	B2	8/2004	Shuey et al.	
7,326,074	B1	2/2008	Lim et al.	
9,350,116	B1 *	5/2016	Morello	H01R 13/639
D791,082	S *	7/2017	Li	D13/147
D791,705	S *	7/2017	Li	D13/147
D839,192	S *	1/2019	Yoshino	D13/133
2010/0029132	A1 *	2/2010	Phillips, Jr.	H01R 13/187
				439/584
2018/0062314	A1 *	3/2018	Schmidt	H01R 13/639
2018/0083397	A1 *	3/2018	Hall	H01R 24/40

* cited by examiner

Fig. 1

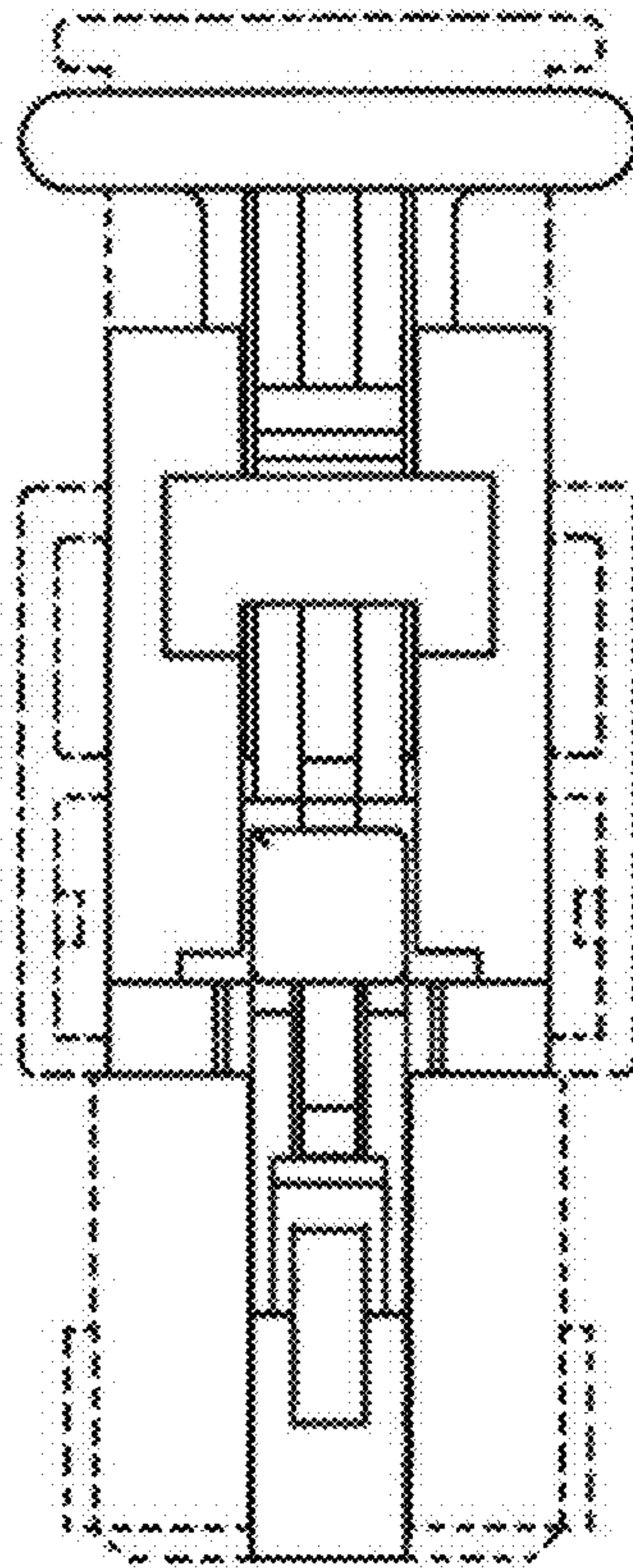


Fig.2

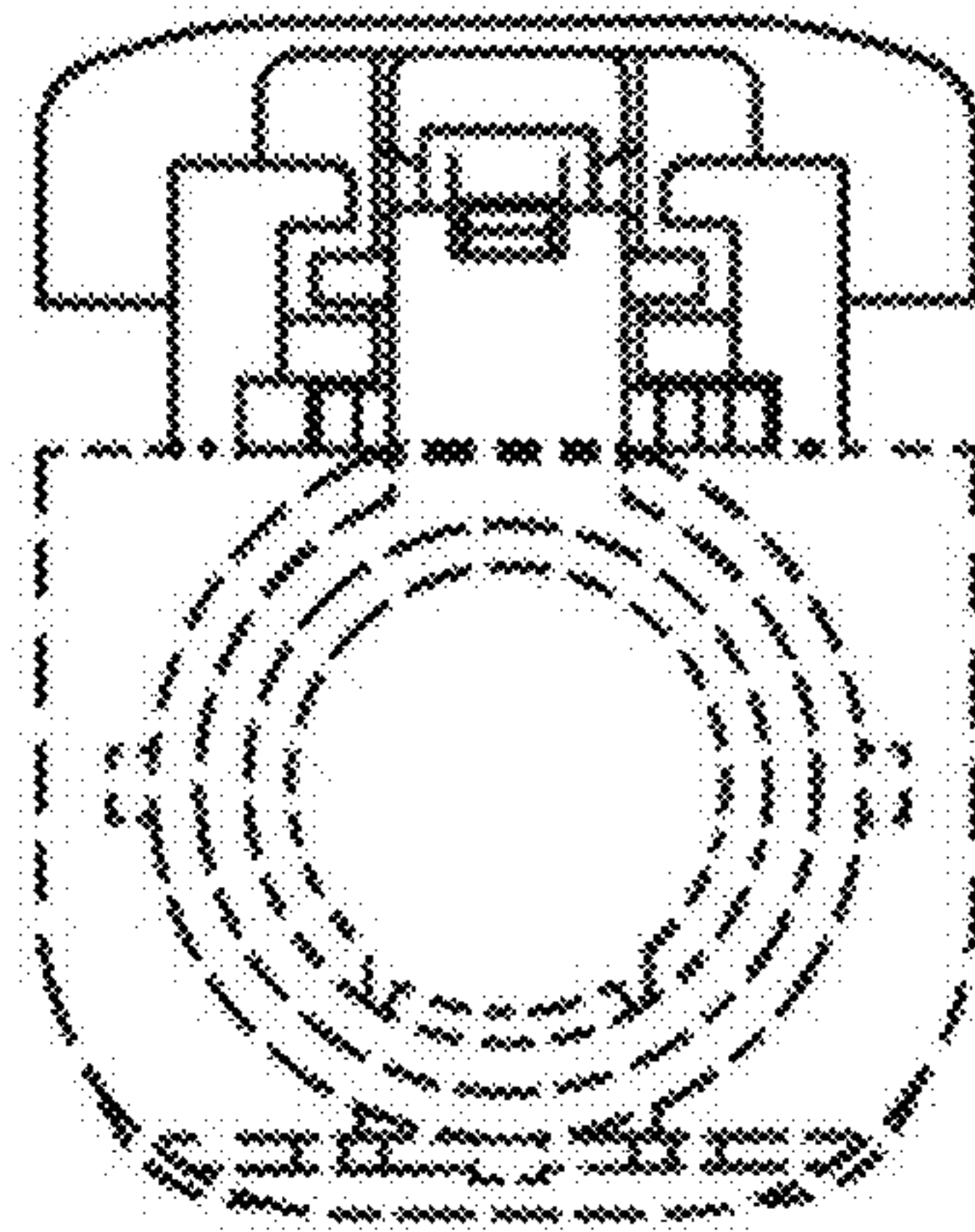


Fig.3

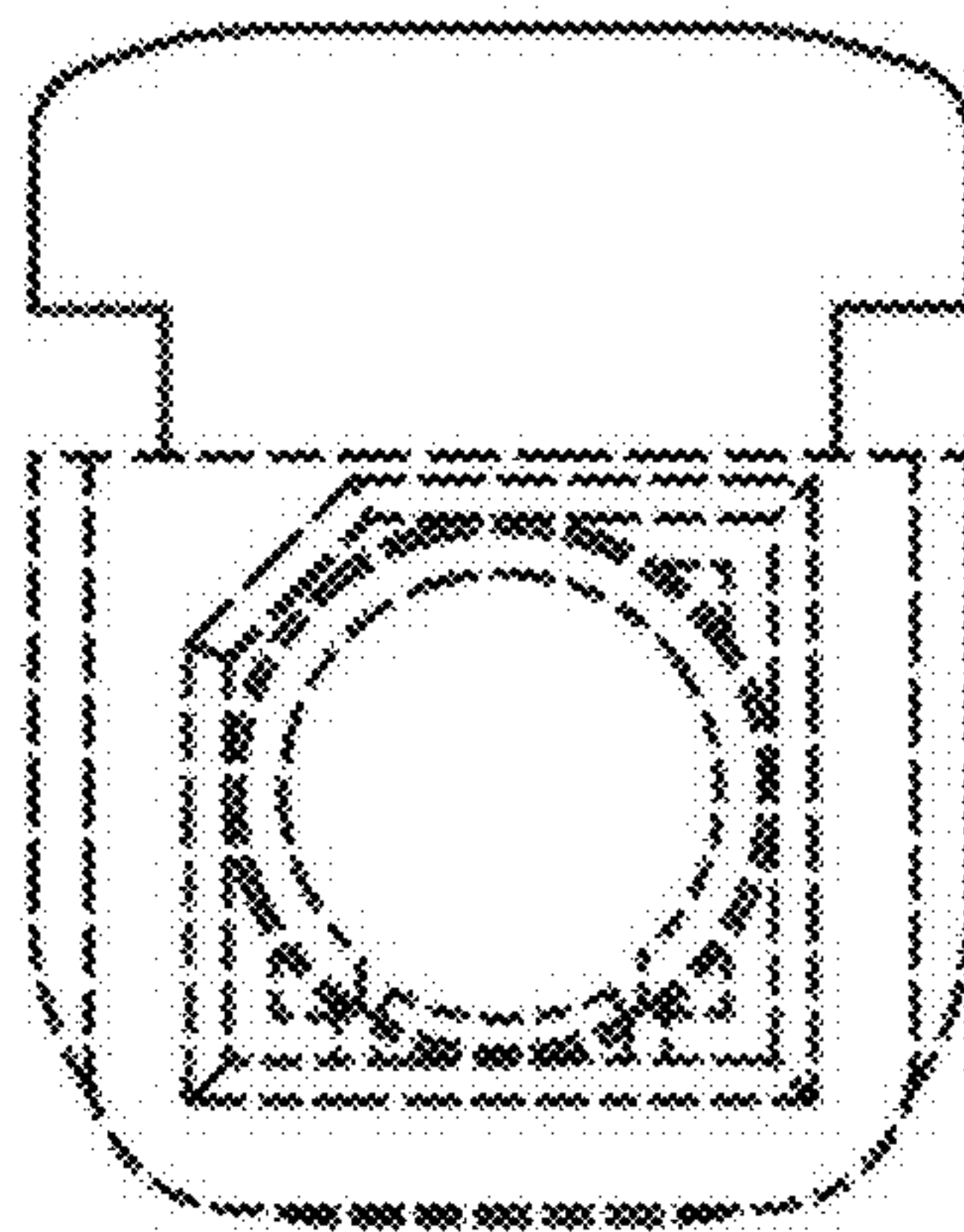


Fig.4

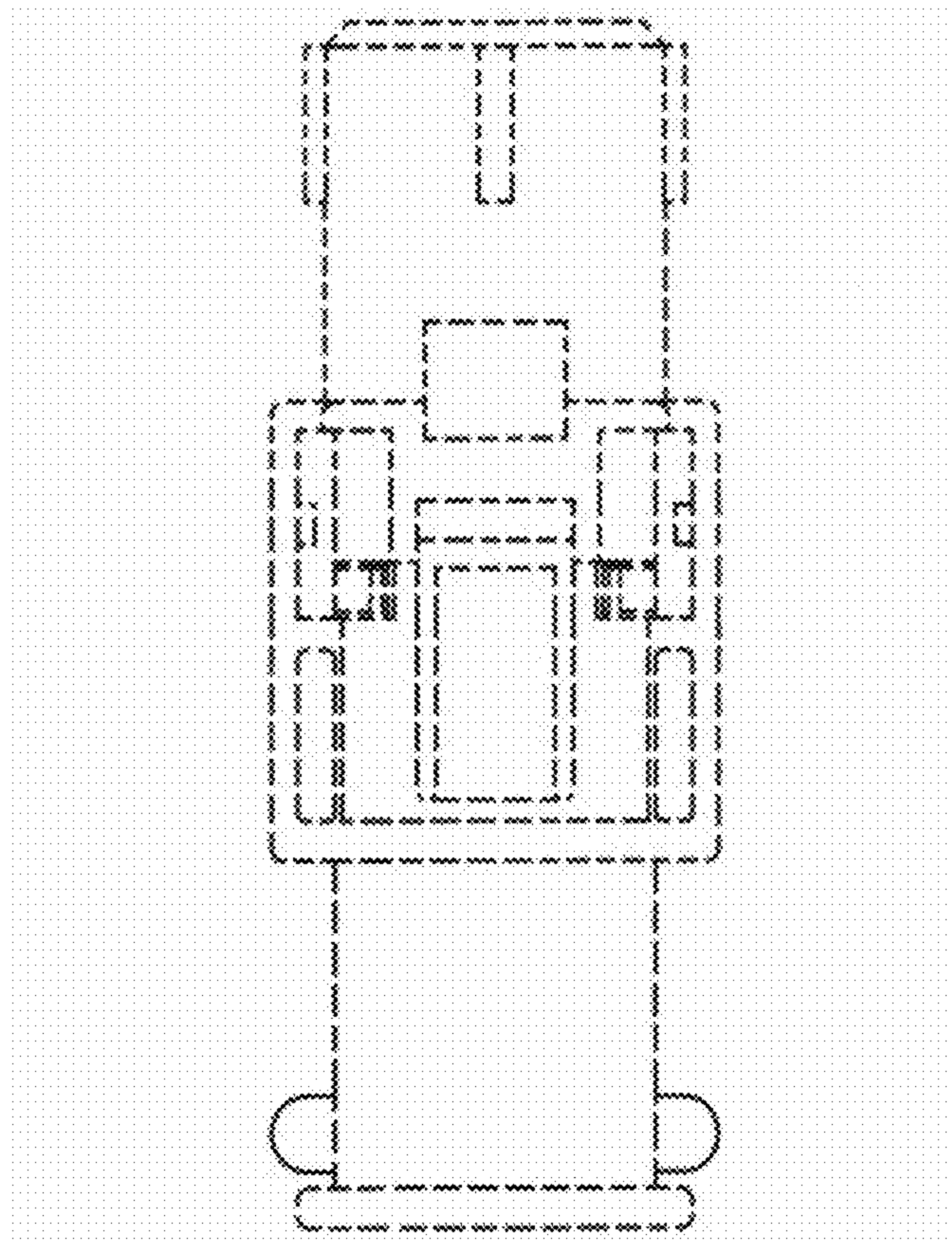


Fig.5

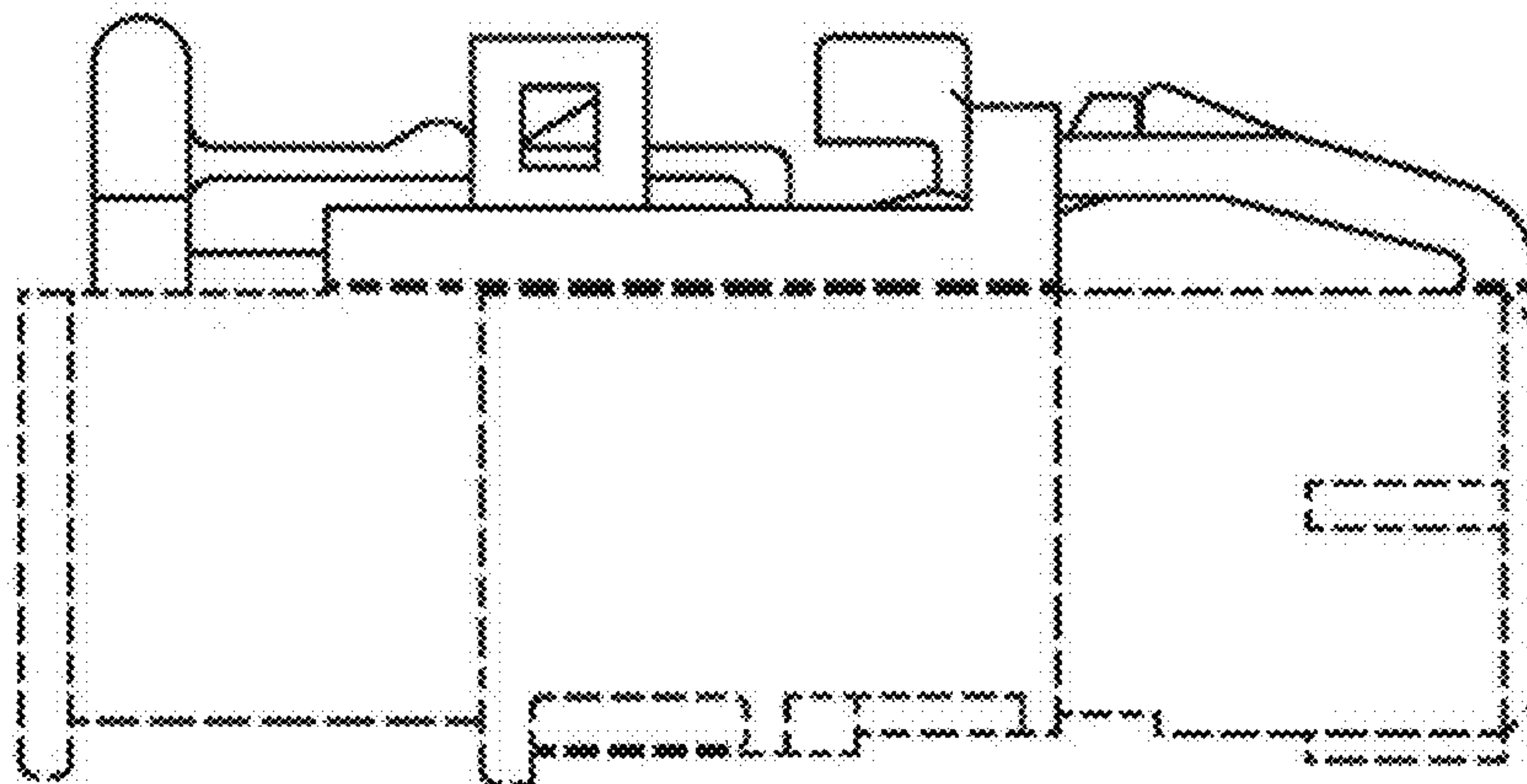


Fig.6

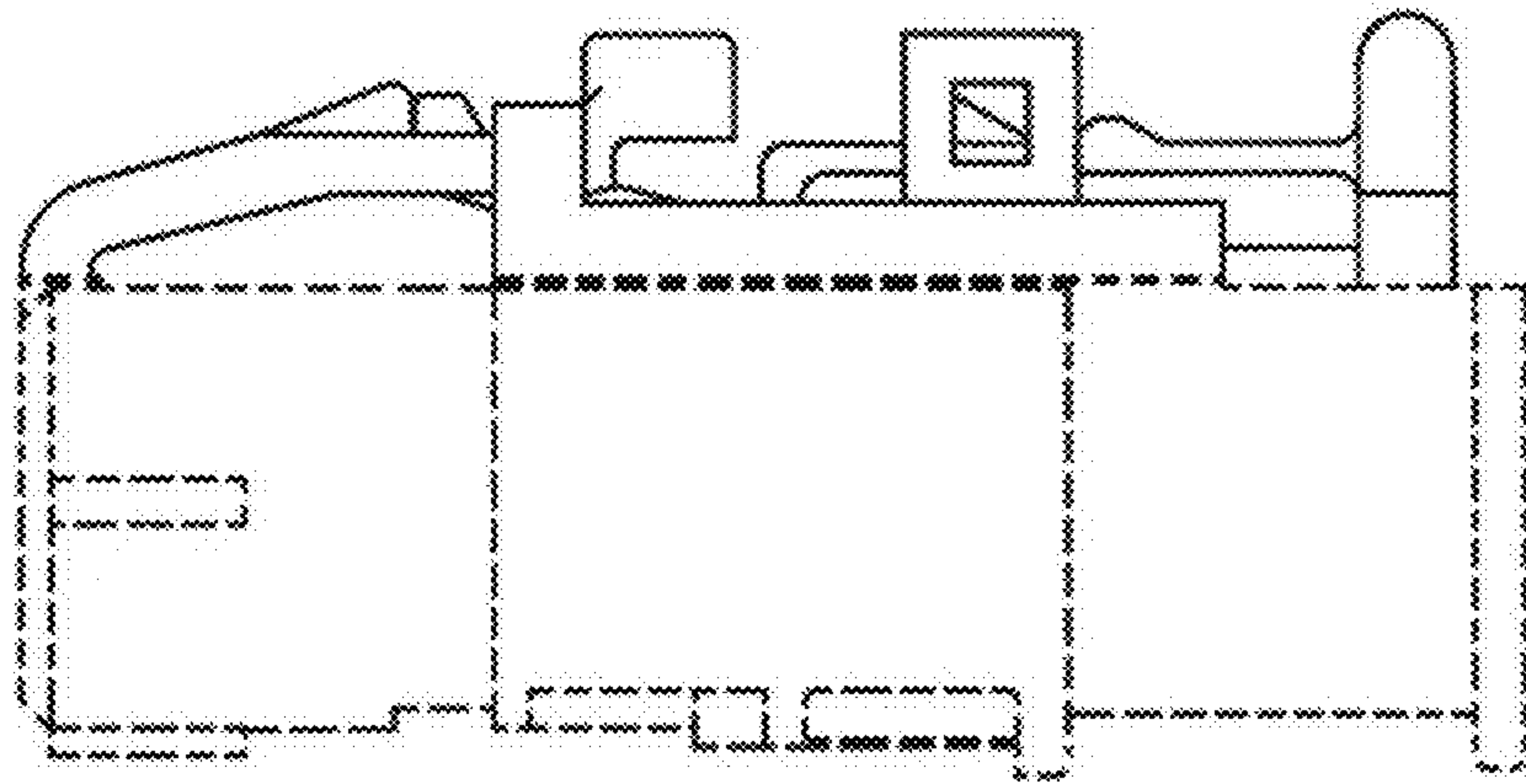


Fig.7

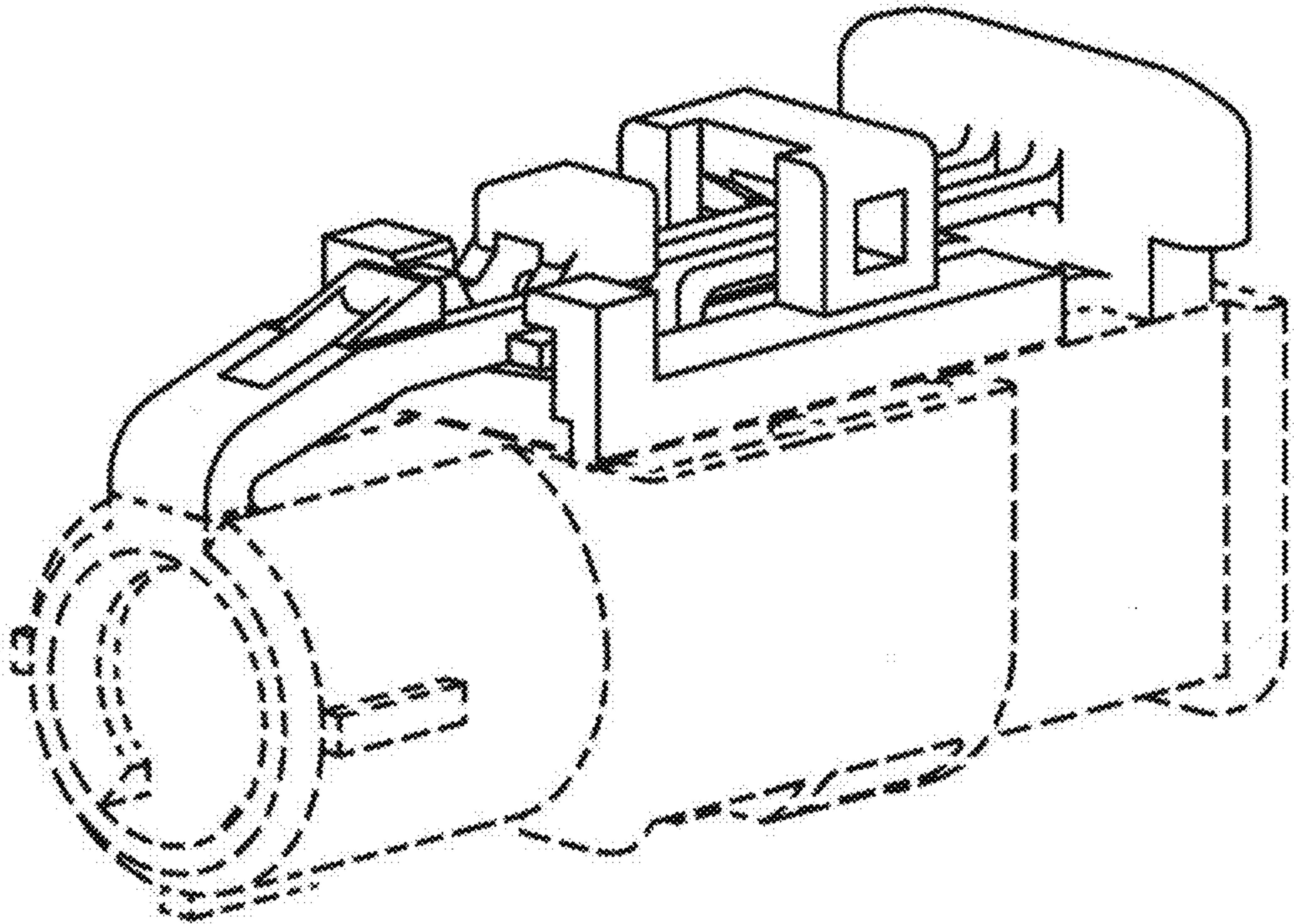


Fig.8

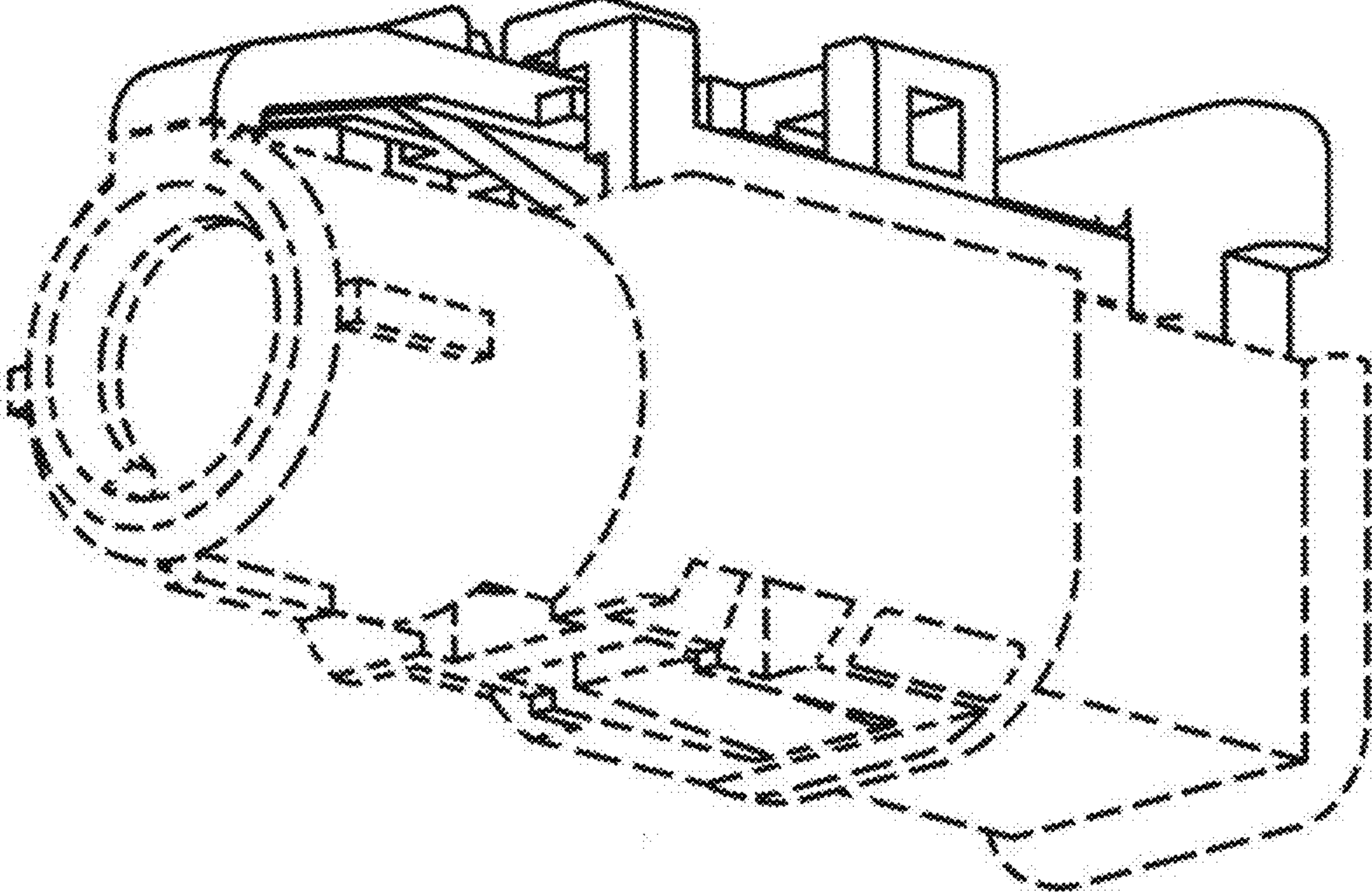


Fig.9

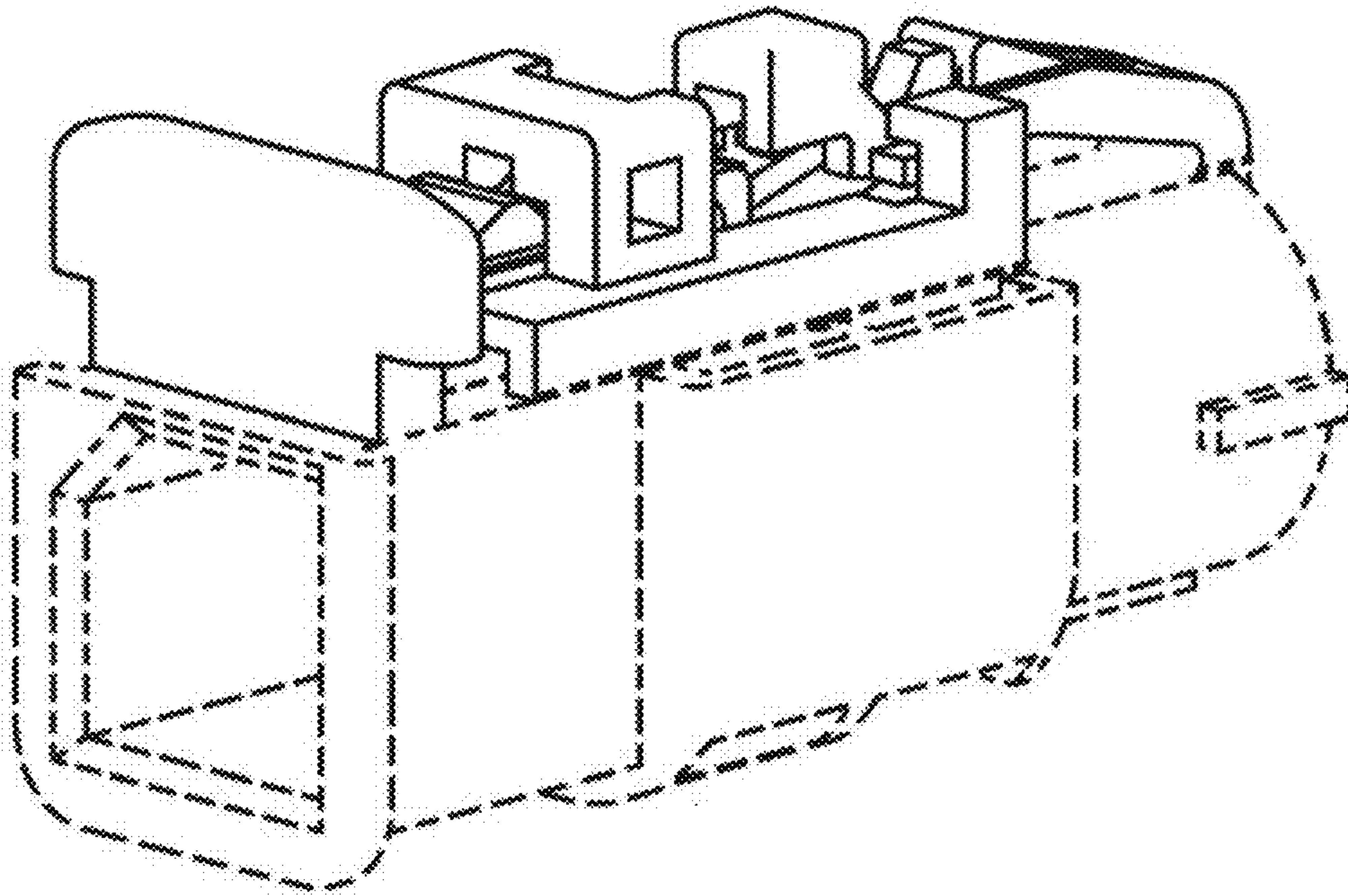


Fig.10

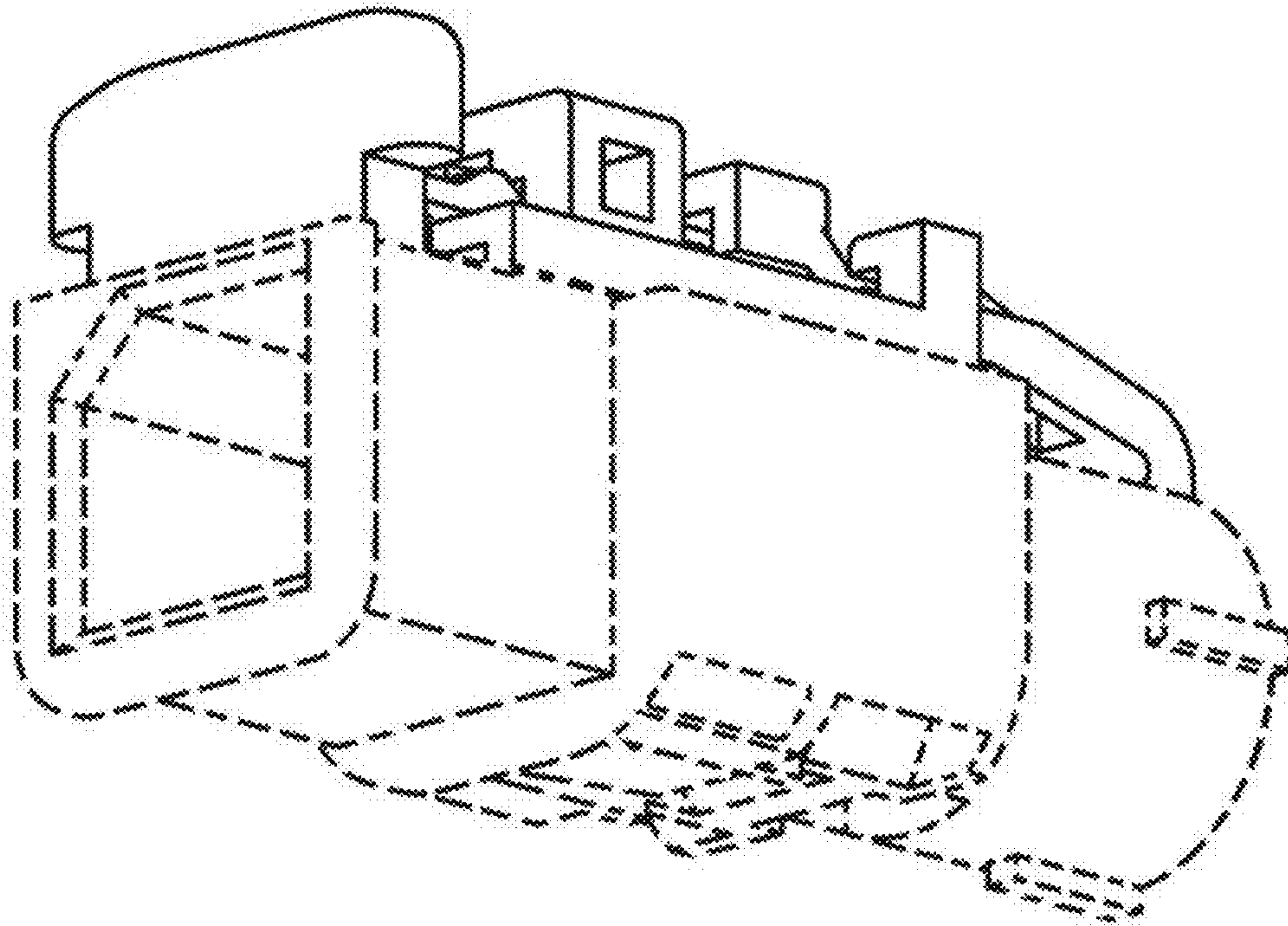


Fig.11

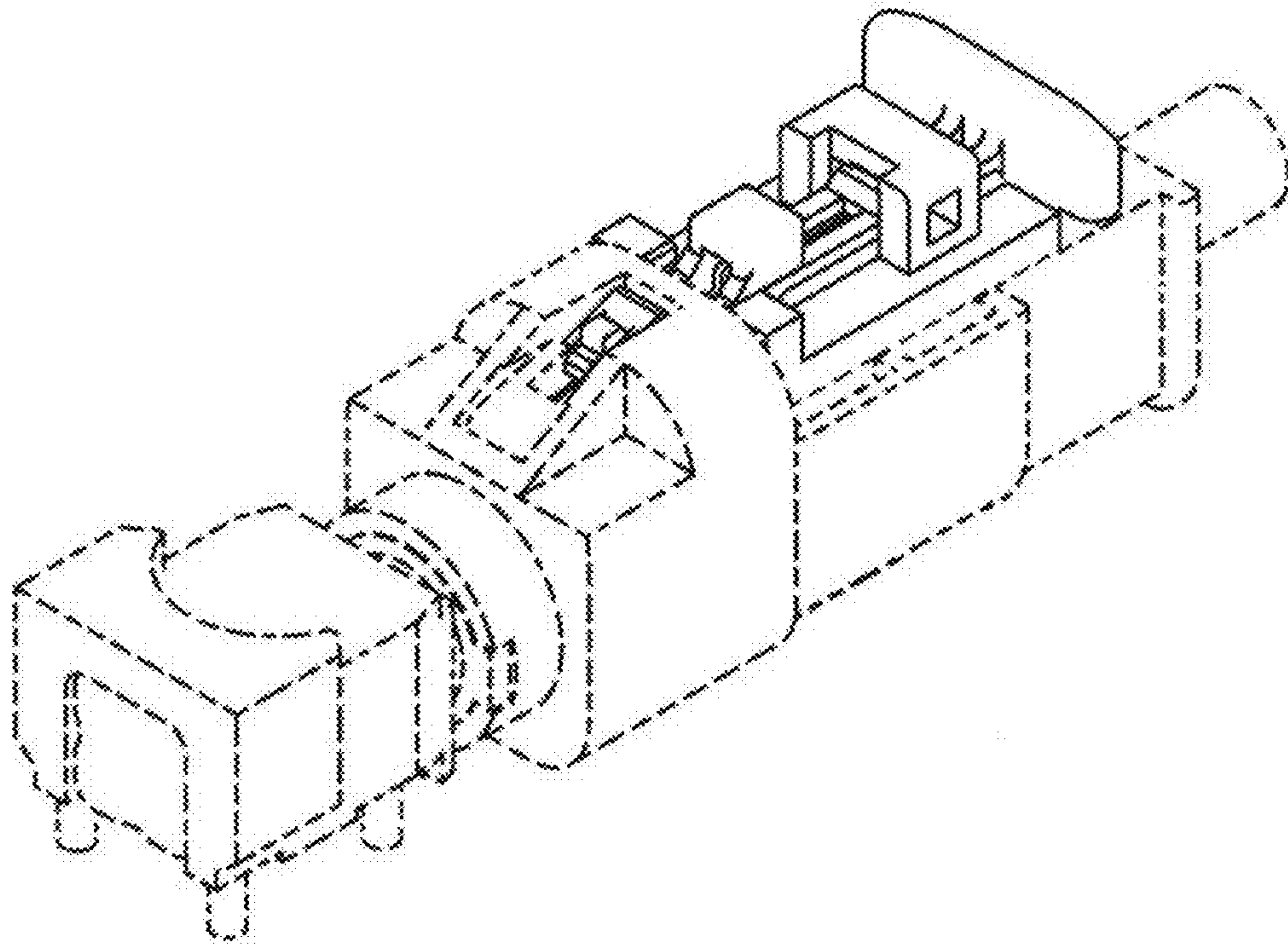


Fig.12

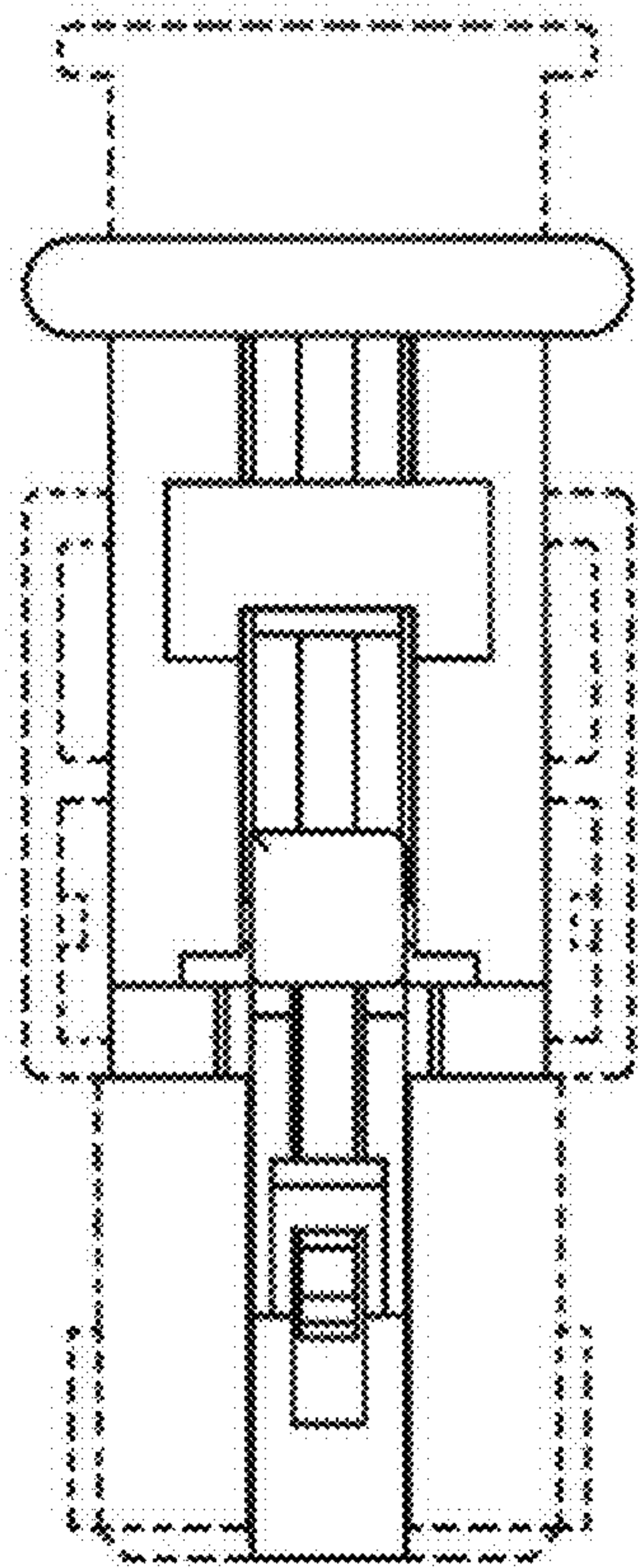


Fig.13

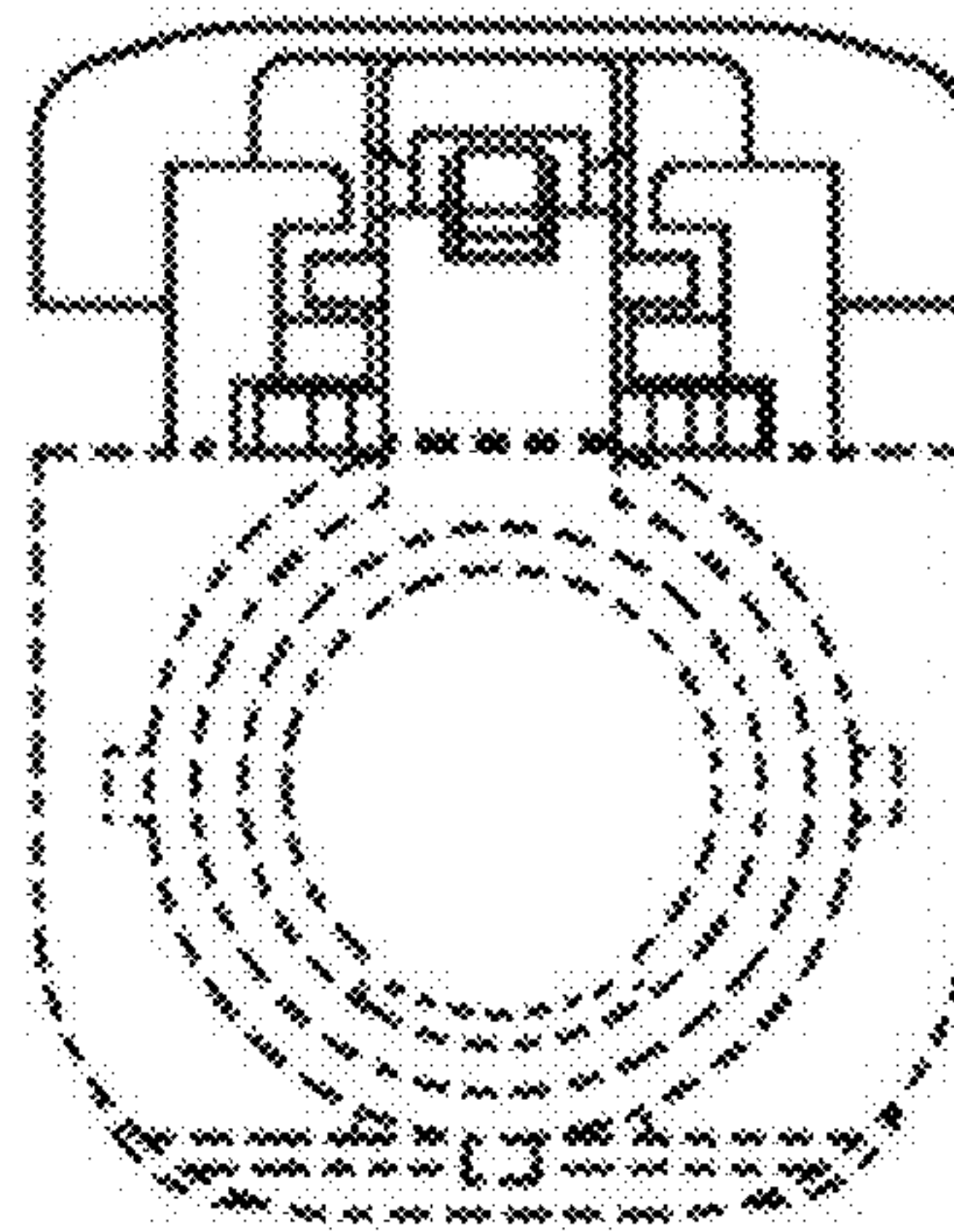


Fig.14

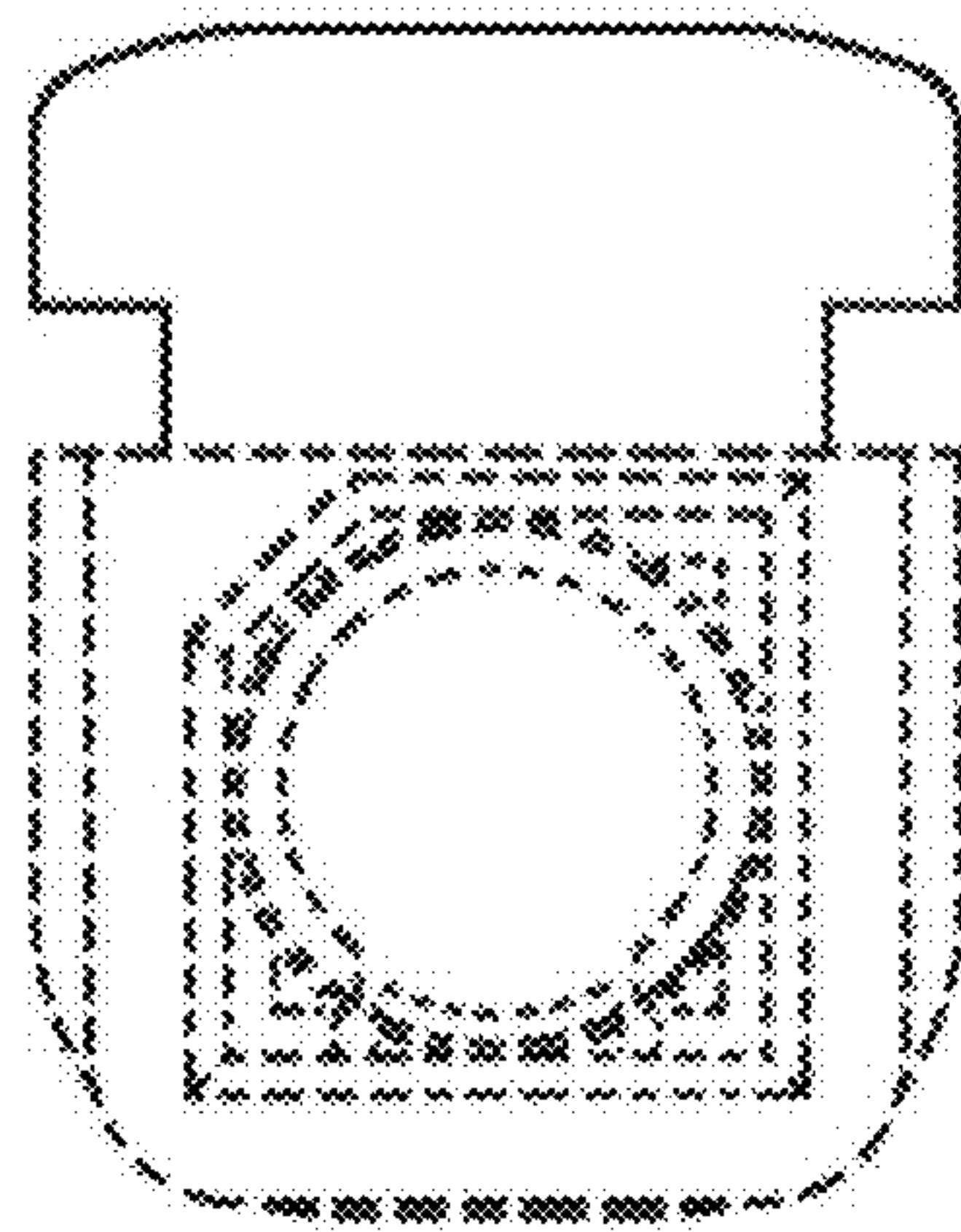


Fig. 15

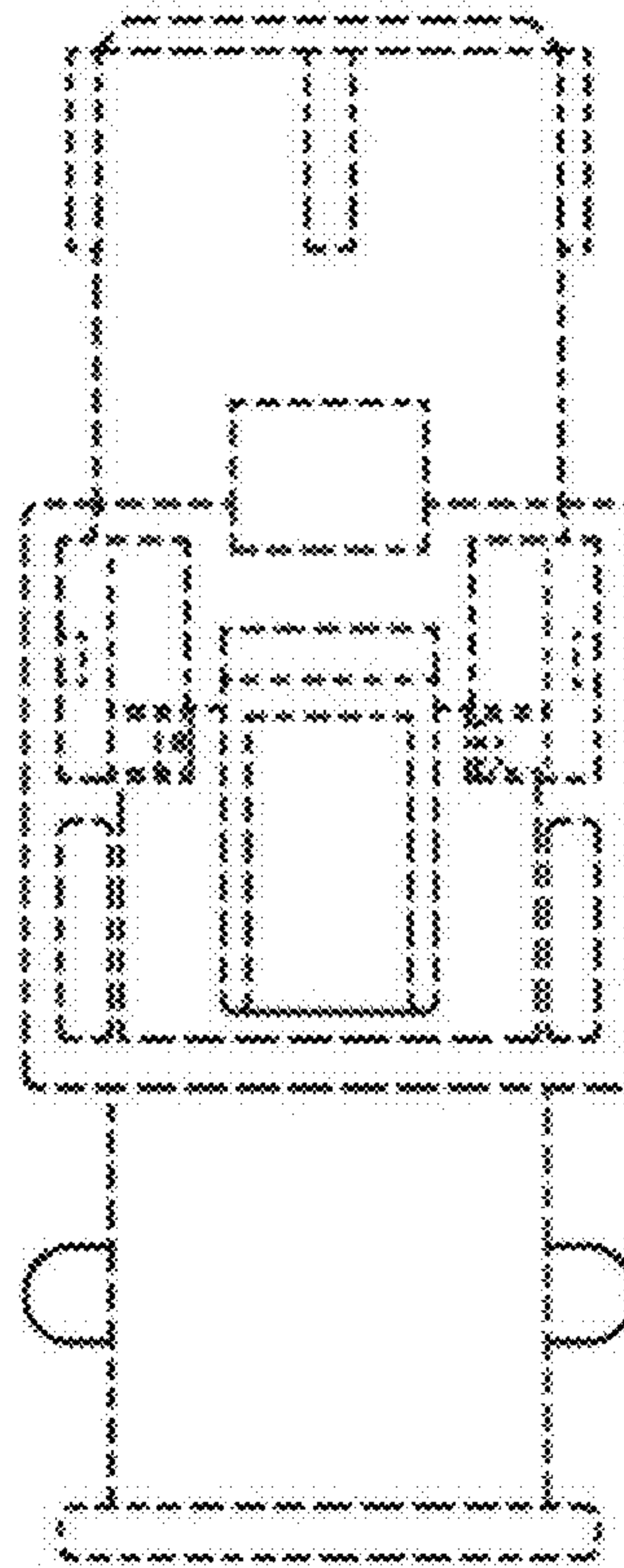


Fig. 16

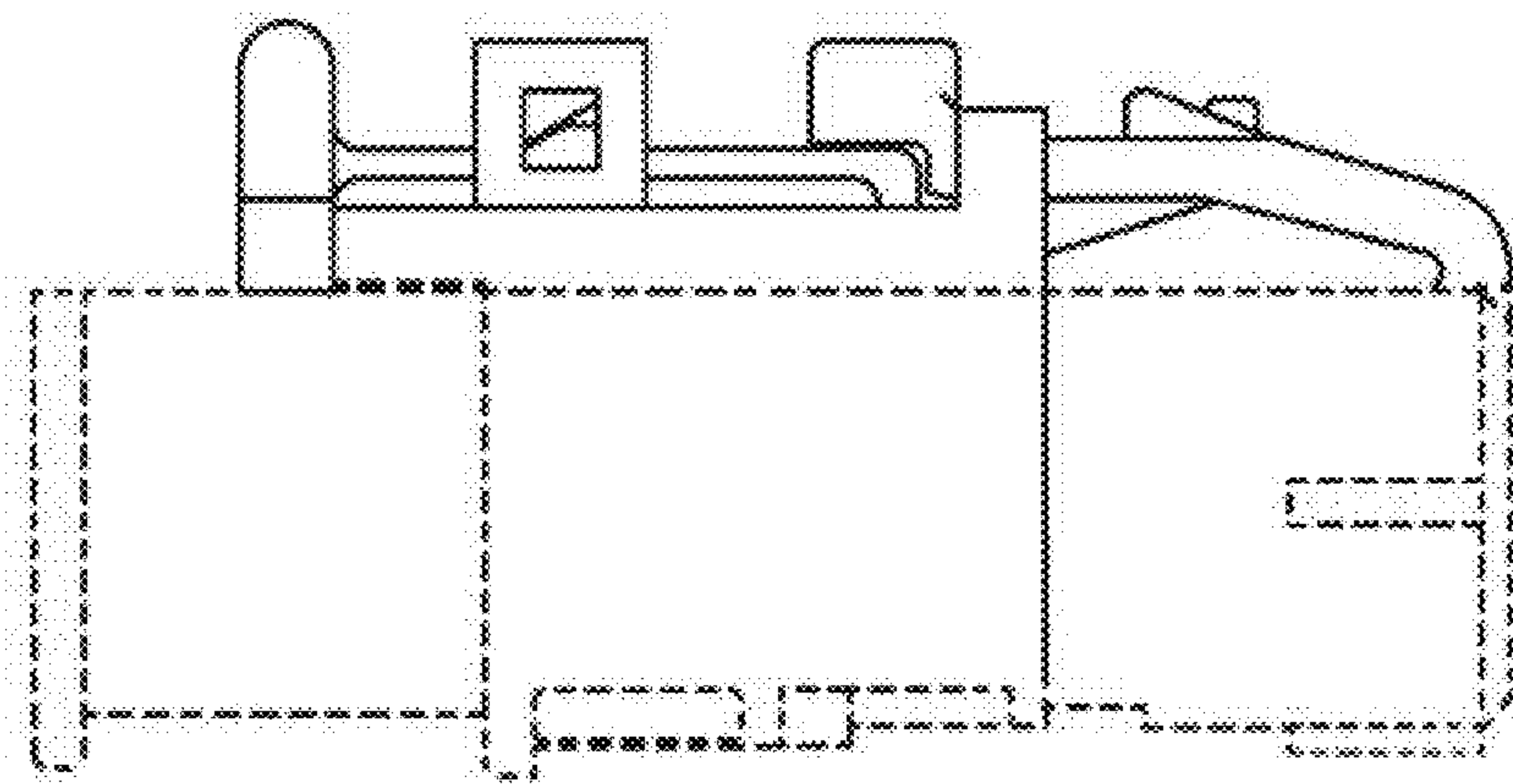


Fig.17

