



US00D856930S

(12) **United States Design Patent**
Huang

(10) **Patent No.:** **US D856,930 S**

(45) **Date of Patent:** **** Aug. 20, 2019**

(54) **PORTABLE POWER GENERATOR**

D597,485 S * 8/2009 Ma D13/116
D620,886 S * 8/2010 Flattinger D13/110
D630,581 S * 1/2011 Xu D13/116

(71) Applicant: **Shi Sheng Huang**, Shenzhen (CN)

* cited by examiner

(72) Inventor: **Shi Sheng Huang**, Shenzhen (CN)

Primary Examiner — Derrick E Holland

(**) Term: **15 Years**

(74) *Attorney, Agent, or Firm* — Law Offices of Steven W. Weinrieb

(21) Appl. No.: **29/622,554**

(22) Filed: **Oct. 18, 2017**

(51) **LOC (12) Cl.** **13-01**

(57) **CLAIM**

(52) **U.S. Cl.**
USPC **D13/116**

The ornamental design for a portable power generator, as shown and described.

(58) **Field of Classification Search**
USPC D13/116, 112, 113, 114, 122, 199;
D15/1, 7, 199; 290/1 A, 1 B; 307/150,
307/151, 153; 322/1, 2 R
CPC F16M 3/00; F02B 2063/045; F02B
2063/046; F02B 63/04; F02B 63/048;
Y10S 62/911
See application file for complete search history.

DESCRIPTION

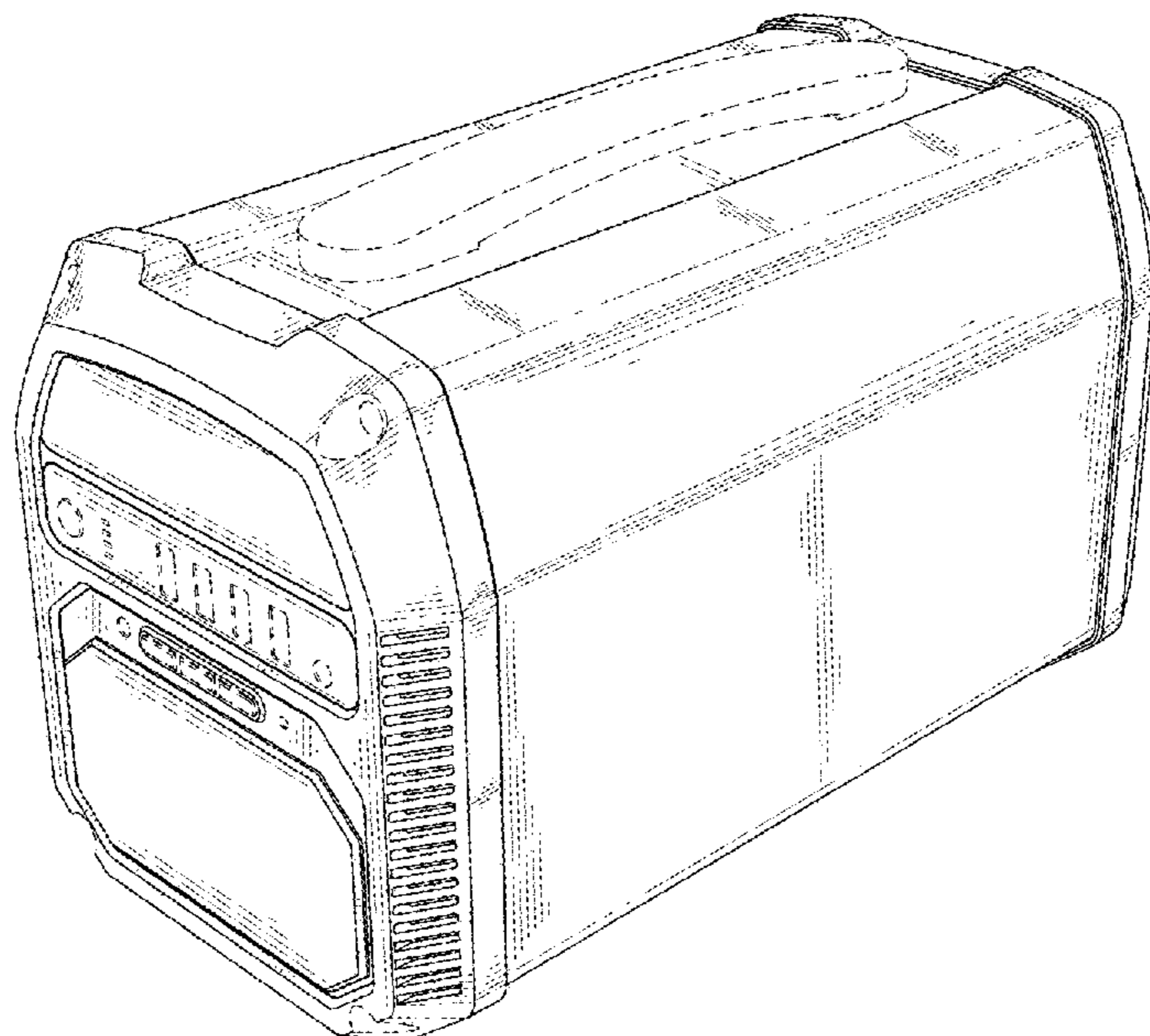
(56) **References Cited**

U.S. PATENT DOCUMENTS

D414,461 S * 9/1999 Wang D13/116
6,091,160 A * 7/2000 Kouchi F02B 63/04
290/1 A
6,100,599 A * 8/2000 Kouchi F02B 63/04
290/1 A
D437,825 S * 2/2001 Imai D13/116
D488,442 S * 4/2004 Fan D13/112

FIG. 1 is a left end perspective view of a portable power generator showing my new design;
FIG. 2 is a right end perspective view thereof;
FIG. 3 is a left end elevational view thereof;
FIG. 4 is a right end elevational view thereof;
FIG. 5 is a rear elevational view thereof.
FIG. 6 is a front elevational view thereof;
FIG. 7 is a top plan view thereof; and,
FIG. 8 is a bottom plan view thereof.
The broken lines in the figures illustrate the portions of the portable power generator that form no part of the claimed design.

1 Claim, 8 Drawing Sheets



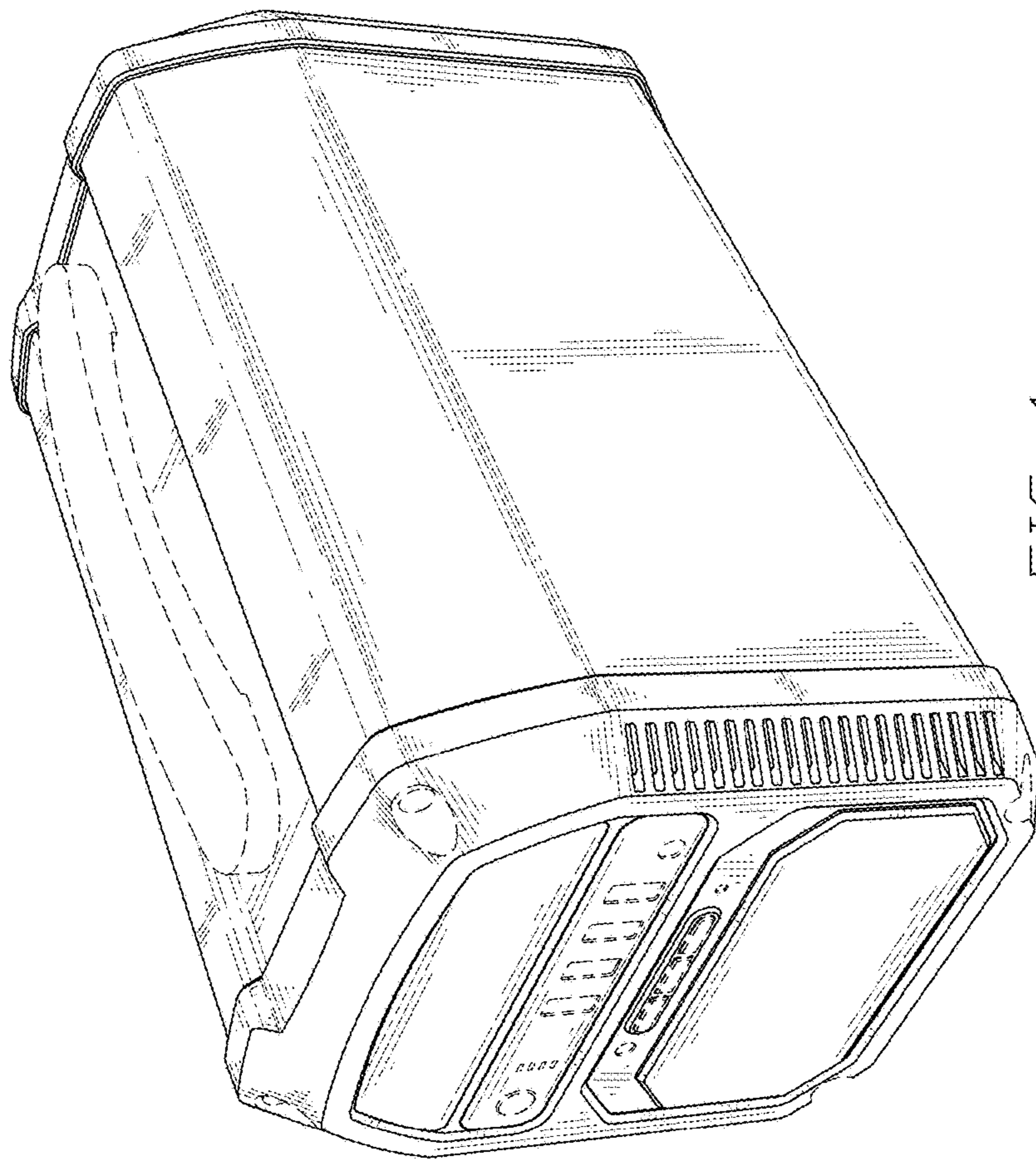


FIG. 1

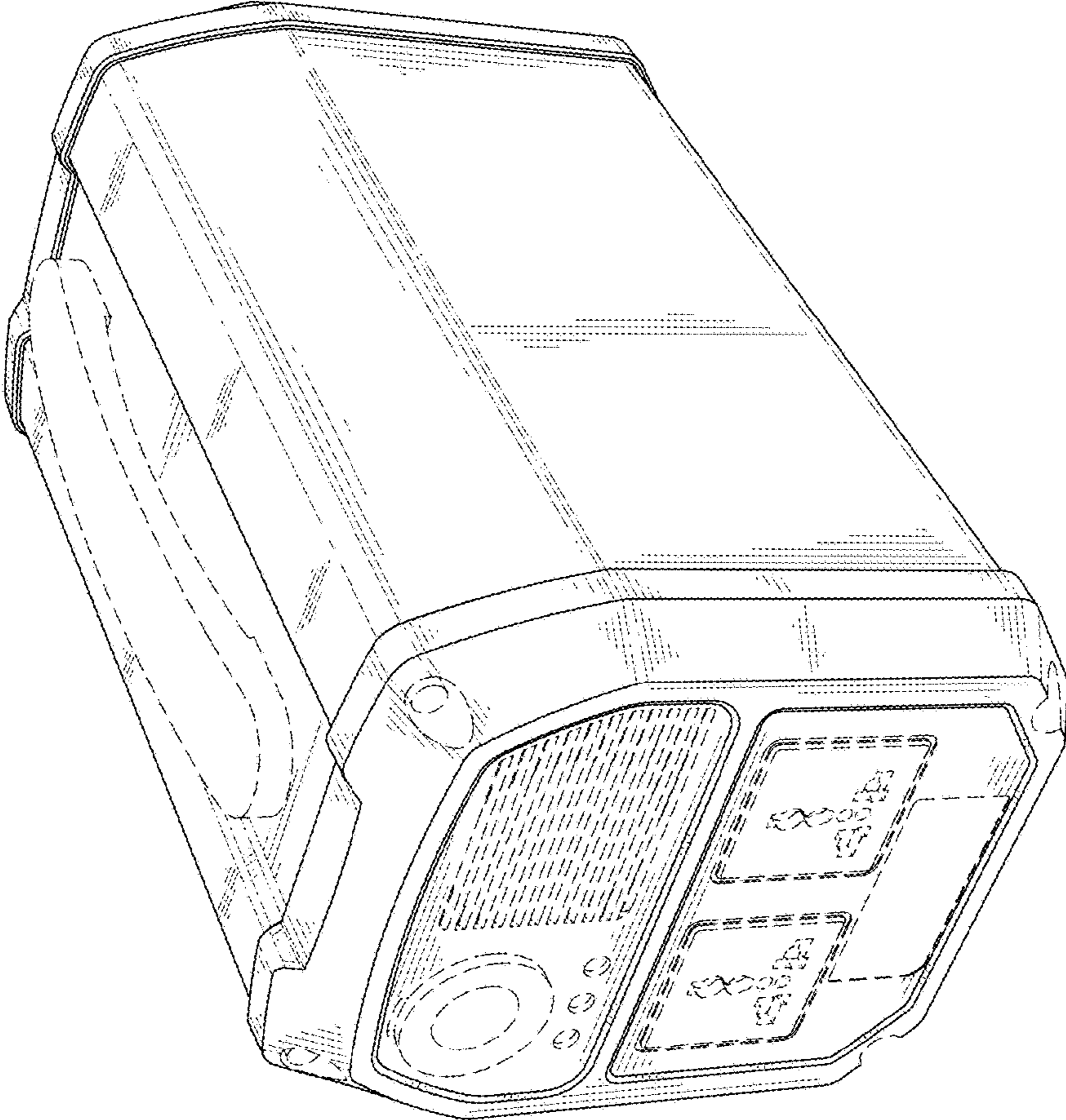


FIG. 2

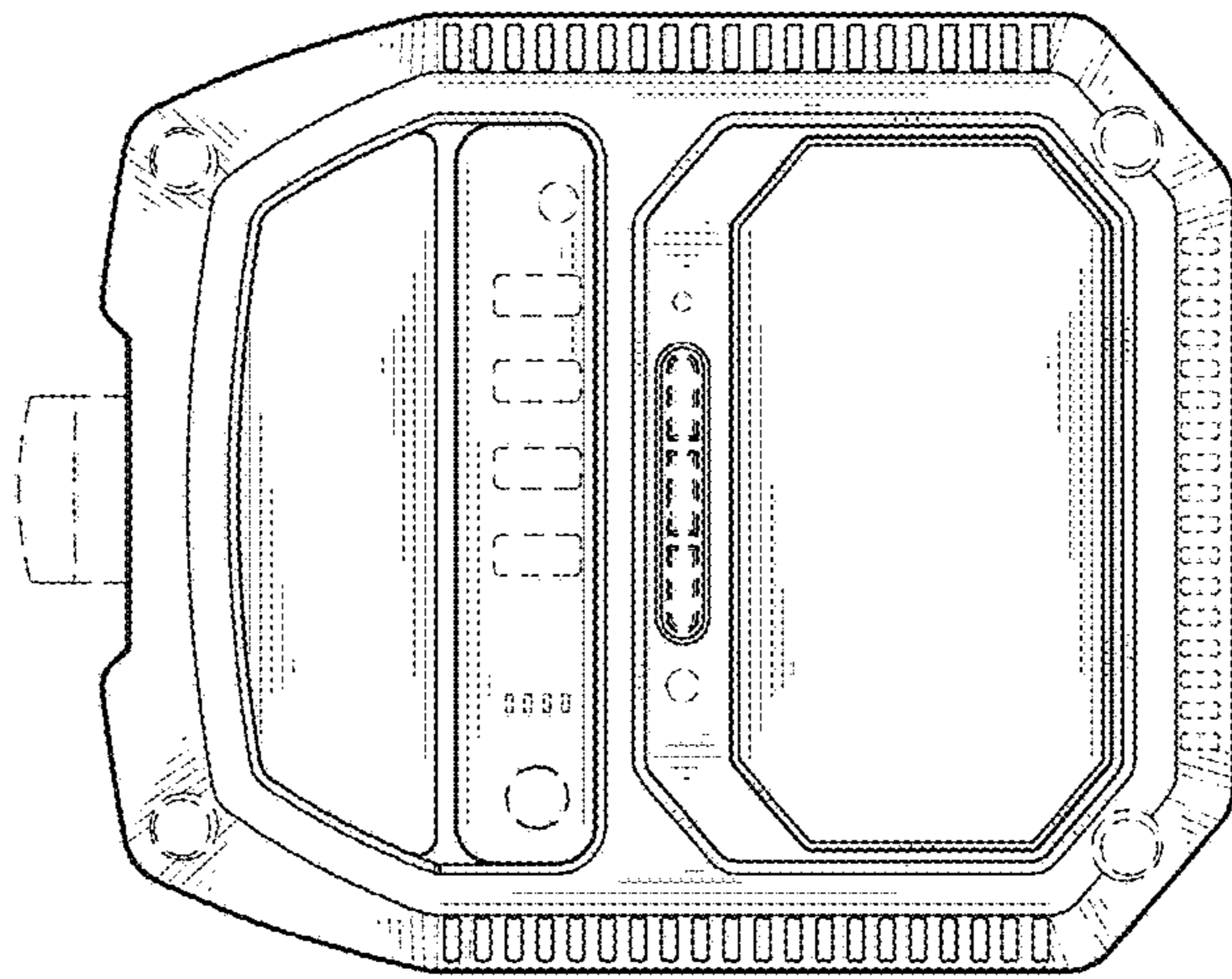


FIG. 3

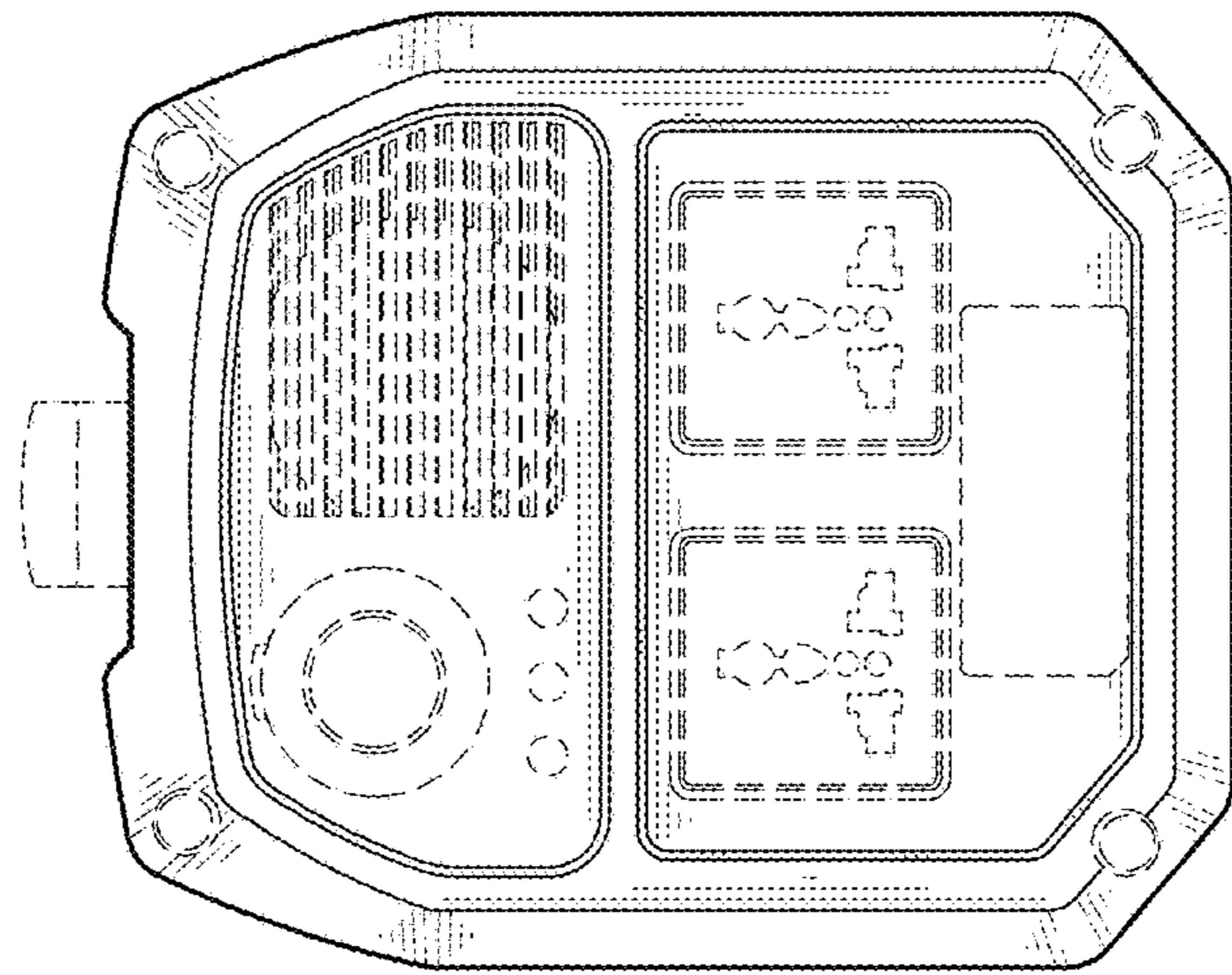


FIG. 4

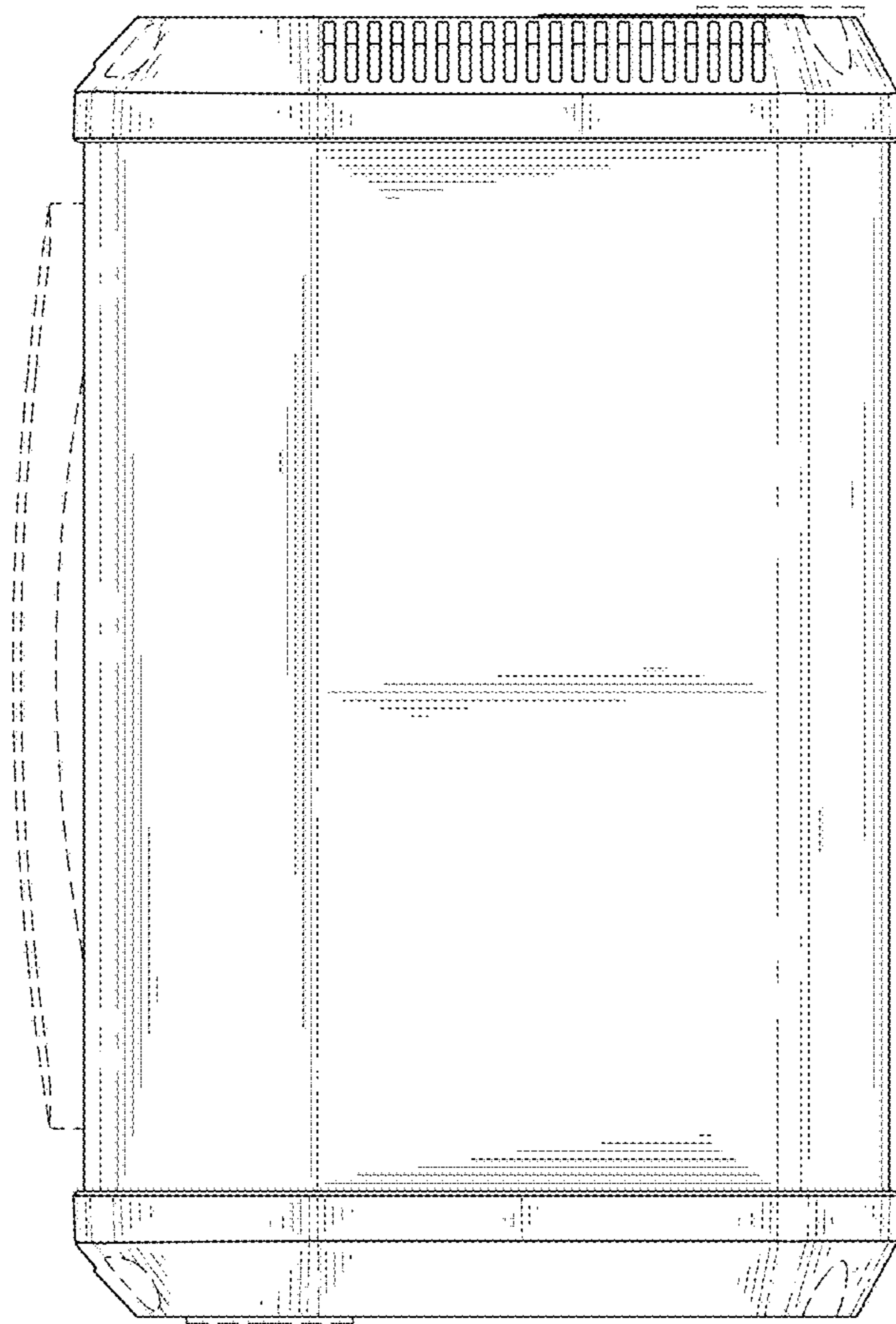


FIG. 5

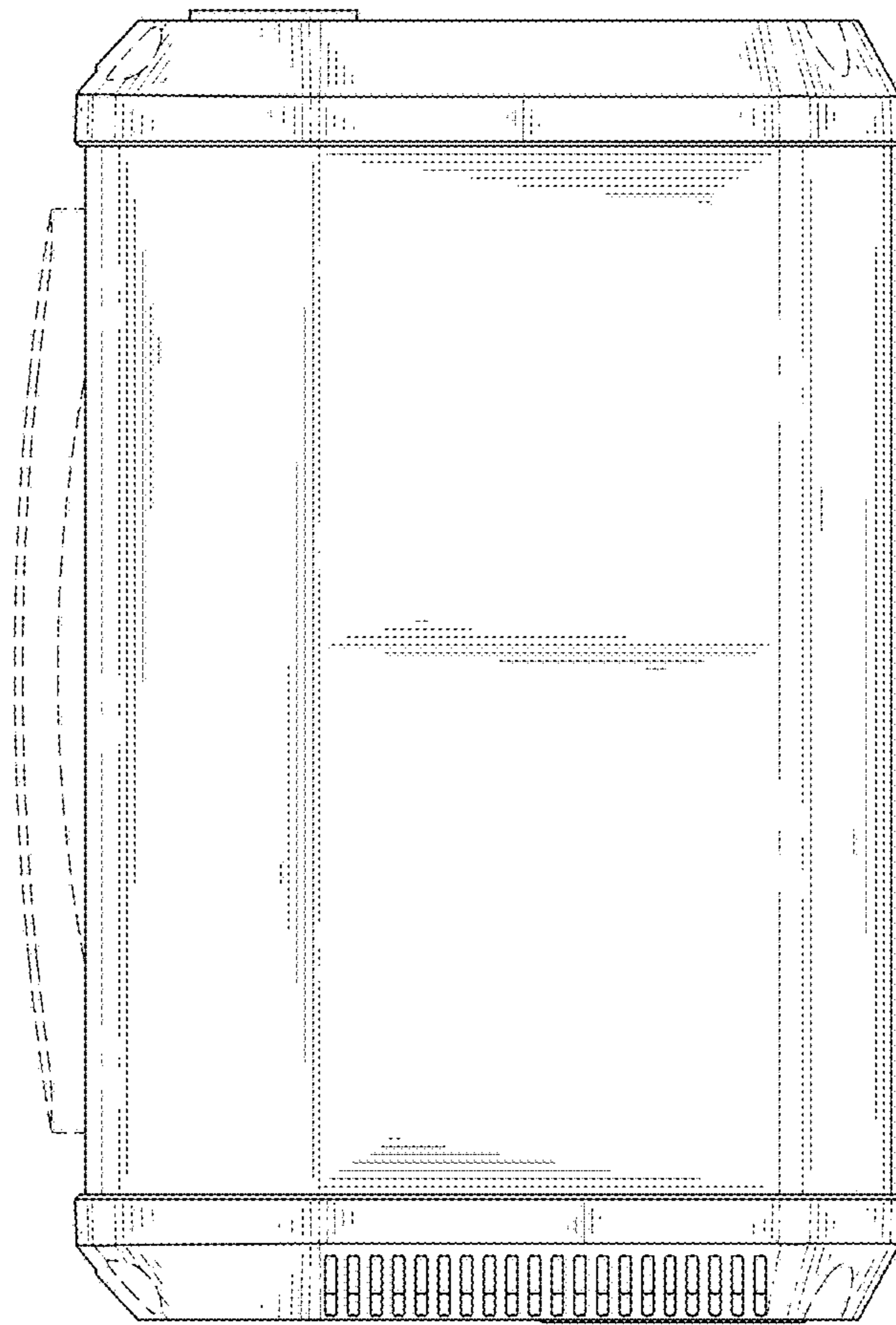


FIG. 6

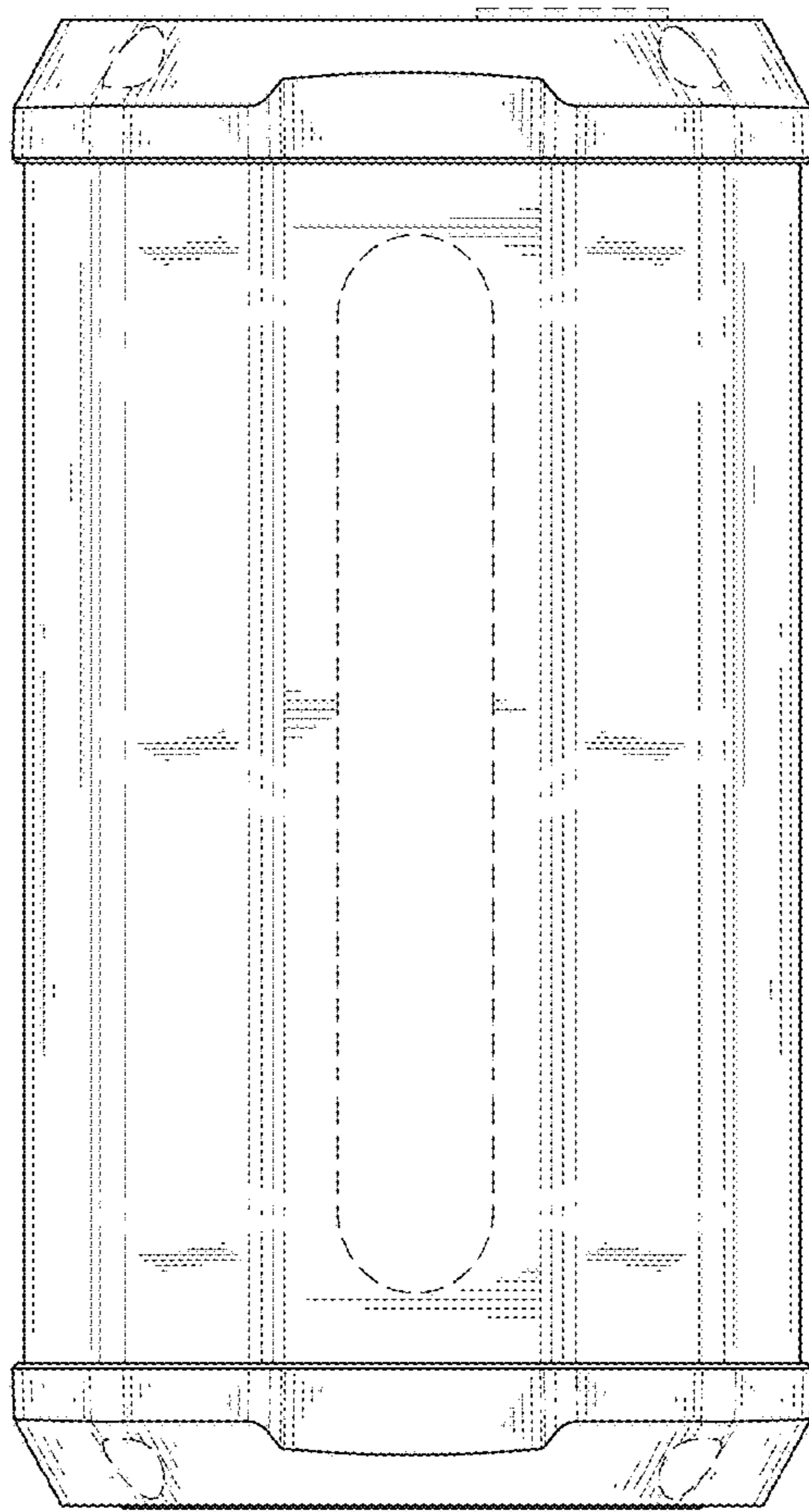


FIG. 7

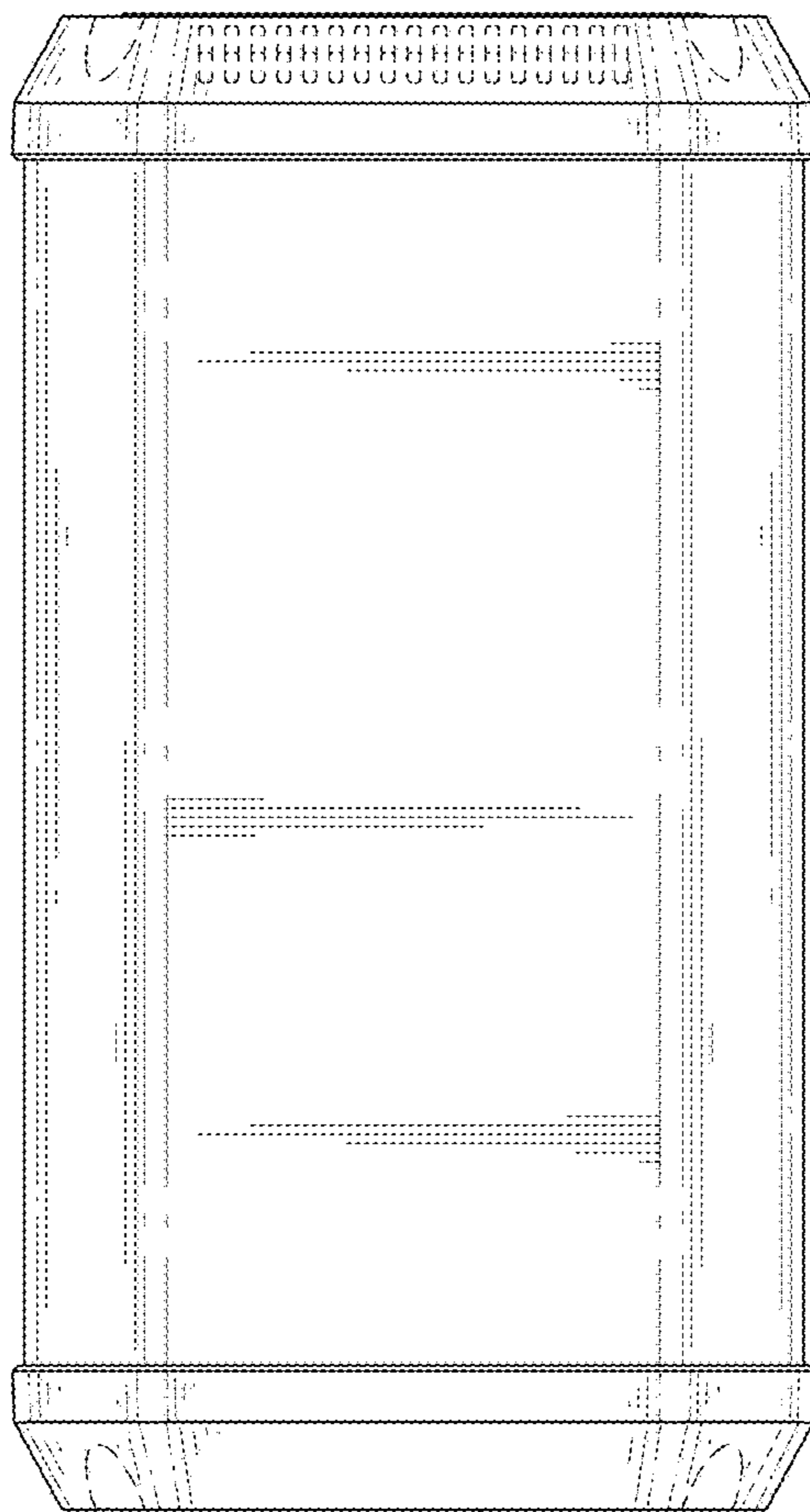


FIG. 8