



US00D856928S

(12) **United States Design Patent**
Mouchet

(10) **Patent No.:** **US D856,928 S**

(45) **Date of Patent:** **** Aug. 20, 2019**

(54) **CURRENT TRANSDUCER**
(71) Applicant: **LEM INTELLECTUAL PROPERTY SA, Fribourg (CH)**

(72) Inventor: **Steve Mouchet, Pringy (FR)**

(**) Term: **15 Years**

(21) Appl. No.: **35/505,088**

(22) Filed: **Dec. 7, 2017**

(80) **Hague Agreement Data**

Int. Filing Date: **Dec. 7, 2017**
Int. Reg. No.: **DM/099050**
Int. Reg. Date: **Dec. 7, 2017**
Int. Reg. Pub. Date: **Jun. 8, 2018**

(51) **LOC (12) Cl.** **13-02**

(52) **U.S. Cl.**
USPC **D13/110**

(58) **Field of Classification Search**
USPC D13/110, 182, 101; D10/78, 75
CPC G01R 15/18; G01R 15/185; G01R 1/04
See application file for complete search history.

(56) **References Cited**

U.S. PATENT DOCUMENTS

D348,042 S * 6/1994 Cook D13/101
D401,171 S * 11/1998 Cattaneo D10/78
D420,297 S * 2/2000 Cattaneo D10/78
D506,153 S * 6/2005 Morel D10/78
D510,881 S * 10/2005 Morel D10/78
D600,576 S * 9/2009 Marcoz D10/75
D607,763 S * 1/2010 Morel D10/78
D613,686 S * 4/2010 Mueller D13/110
D684,927 S * 6/2013 Sage D13/110
D685,734 S * 7/2013 Sage D13/110

D686,156 S * 7/2013 Ye D13/110
D686,989 S * 7/2013 Hayashi D13/110
D688,626 S * 8/2013 Ye D13/110
8,618,796 B2 * 12/2013 Teppan G01R 15/18
324/117 H
D742,262 S * 11/2015 Koshimizu D10/75
D742,842 S * 11/2015 Hayashi D13/182
D751,034 S * 3/2016 Ye D13/110
D766,180 S * 9/2016 Morel D13/110
D768,518 S * 10/2016 Shamir D10/75
D769,190 S * 10/2016 Sid D13/110
D769,817 S * 10/2016 Sid D13/110
D795,806 S * 8/2017 Delmaere D13/110
D801,201 S * 10/2017 Inada D10/75
D803,154 S * 11/2017 Delmaere D13/110
D812,001 S * 3/2018 Marcoz D13/110
D815,595 S * 4/2018 Claeys D13/110
D835,038 S * 12/2018 Delmaere D13/110
2008/0094162 A1 * 4/2008 Schaerrer G01R 15/185
336/178
2017/0010310 A1 * 1/2017 Morel G01R 1/04

* cited by examiner

Primary Examiner — Rhea Shields

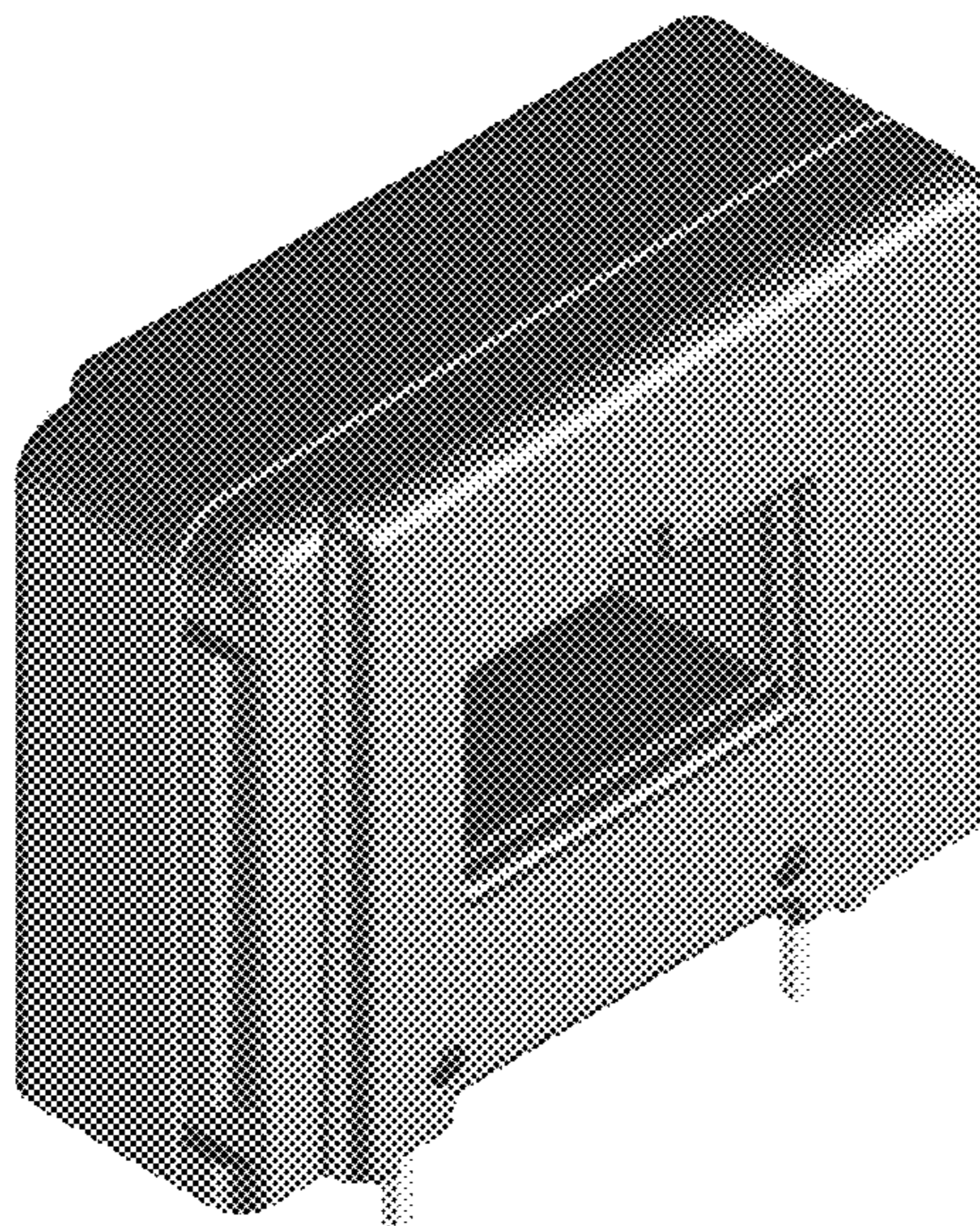
(57) **CLAIM**

The ornamental design for a current transducer, as shown and described.

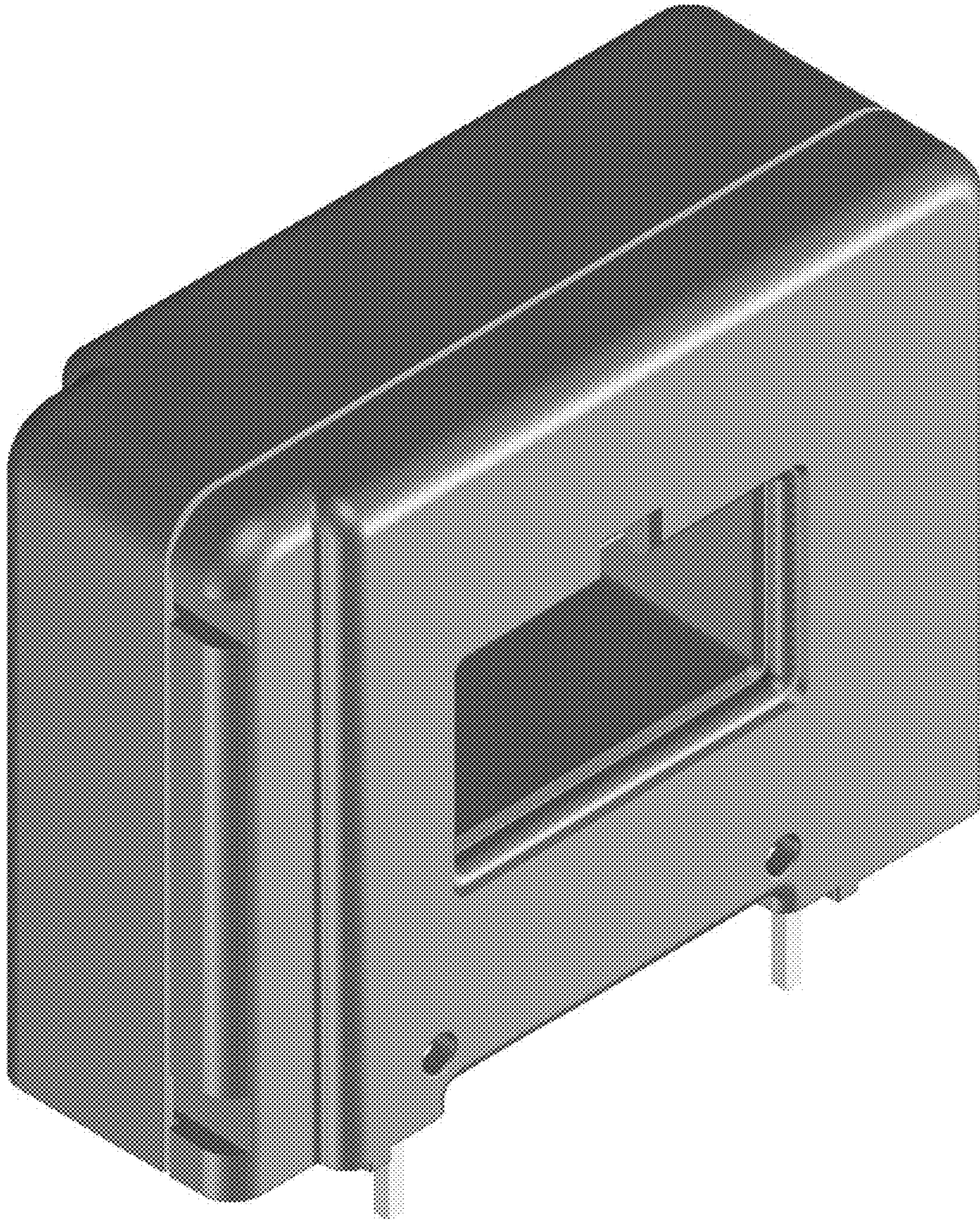
DESCRIPTION

- 1. Current transducer
- 1.1 : Perspective
- 1.2 : Perspective
- 1.3 : Front
- 1.4 : Back
- 1.5 : Top
- 1.6 : Bottom
- 1.7 : Left
- 1.8 : Right

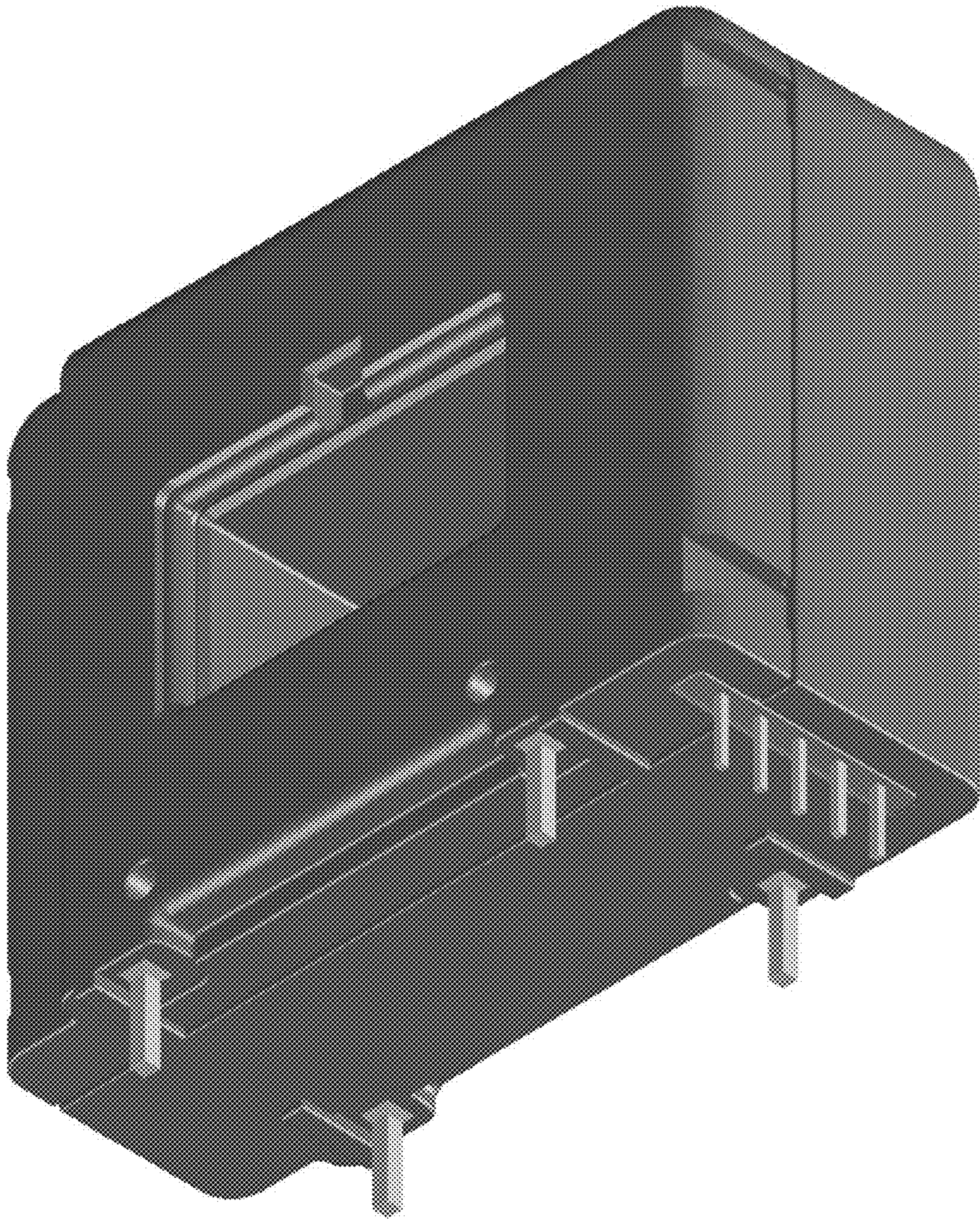
1 Claim, 8 Drawing Sheets



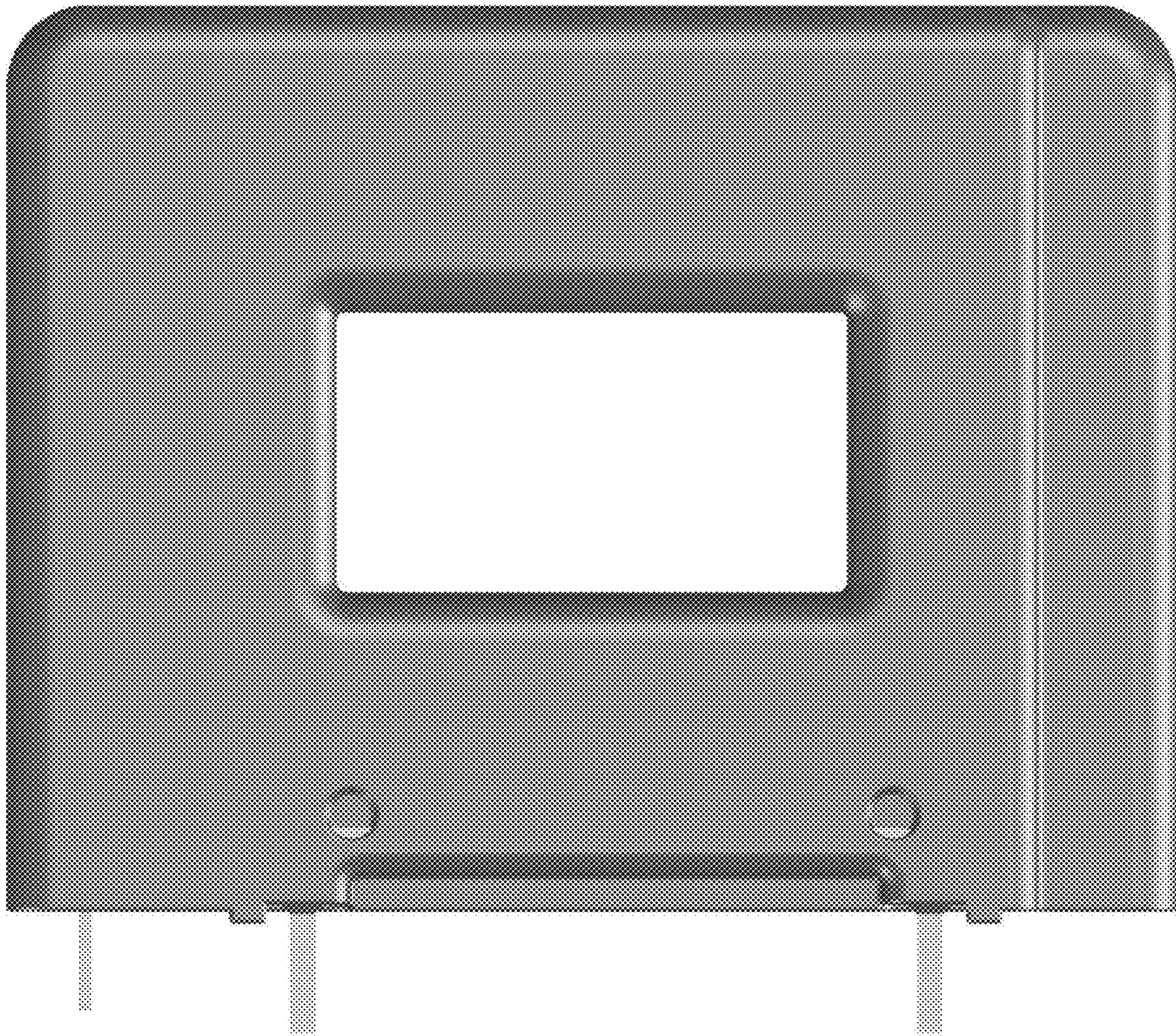
1.1



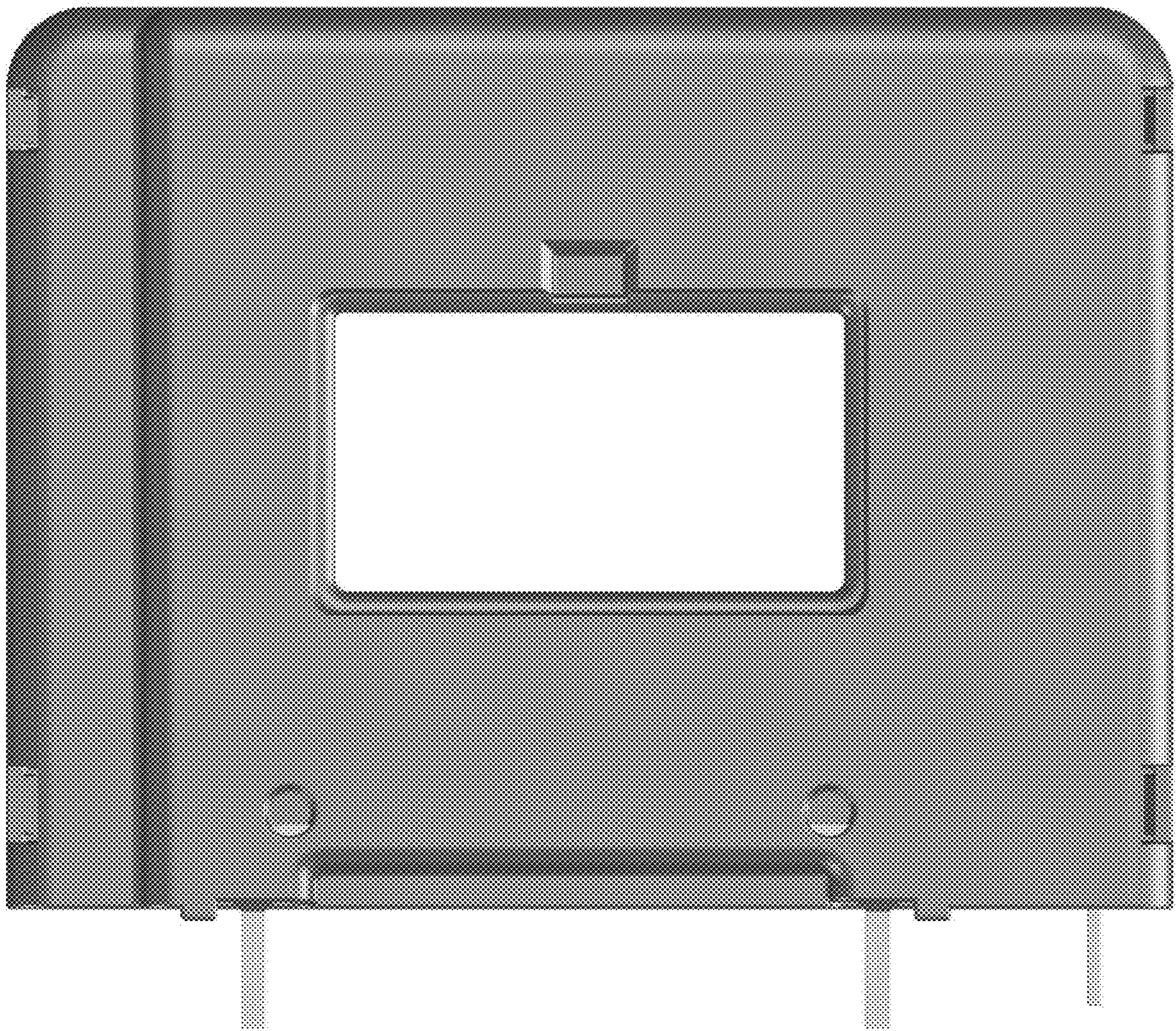
1.2



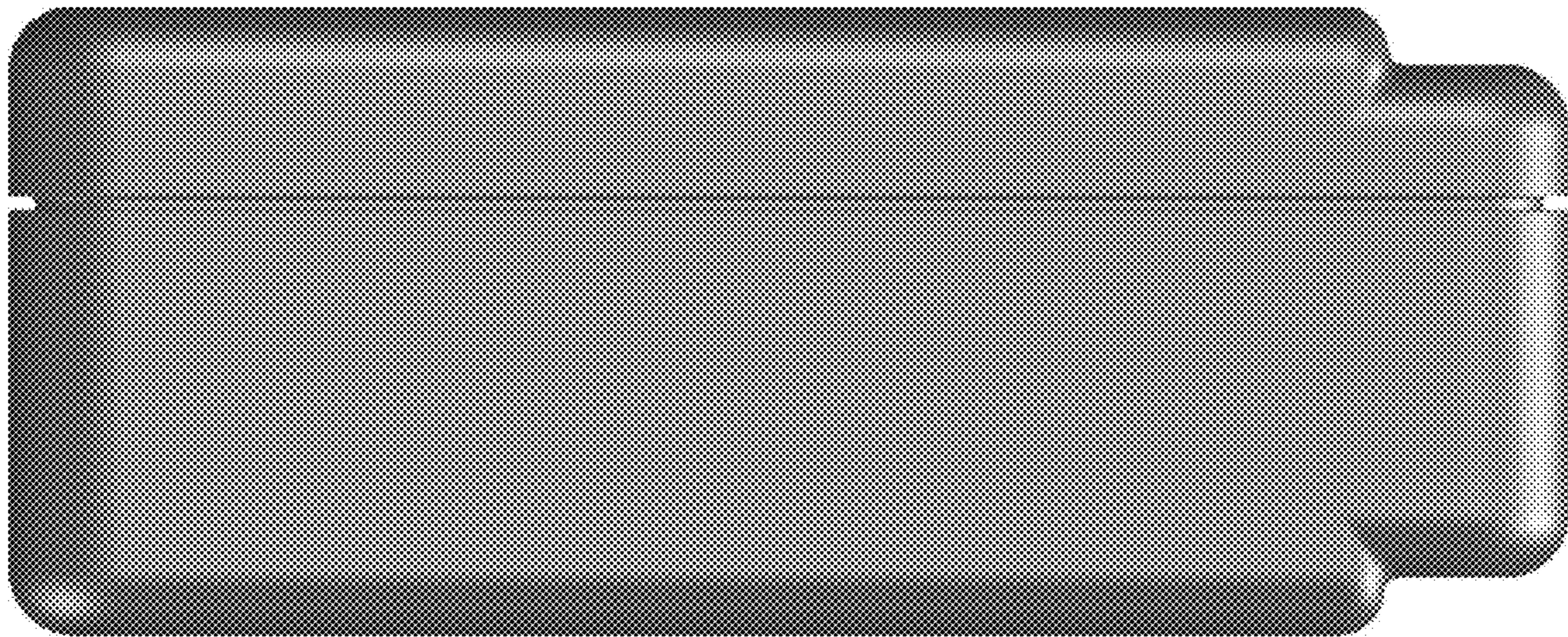
1.3



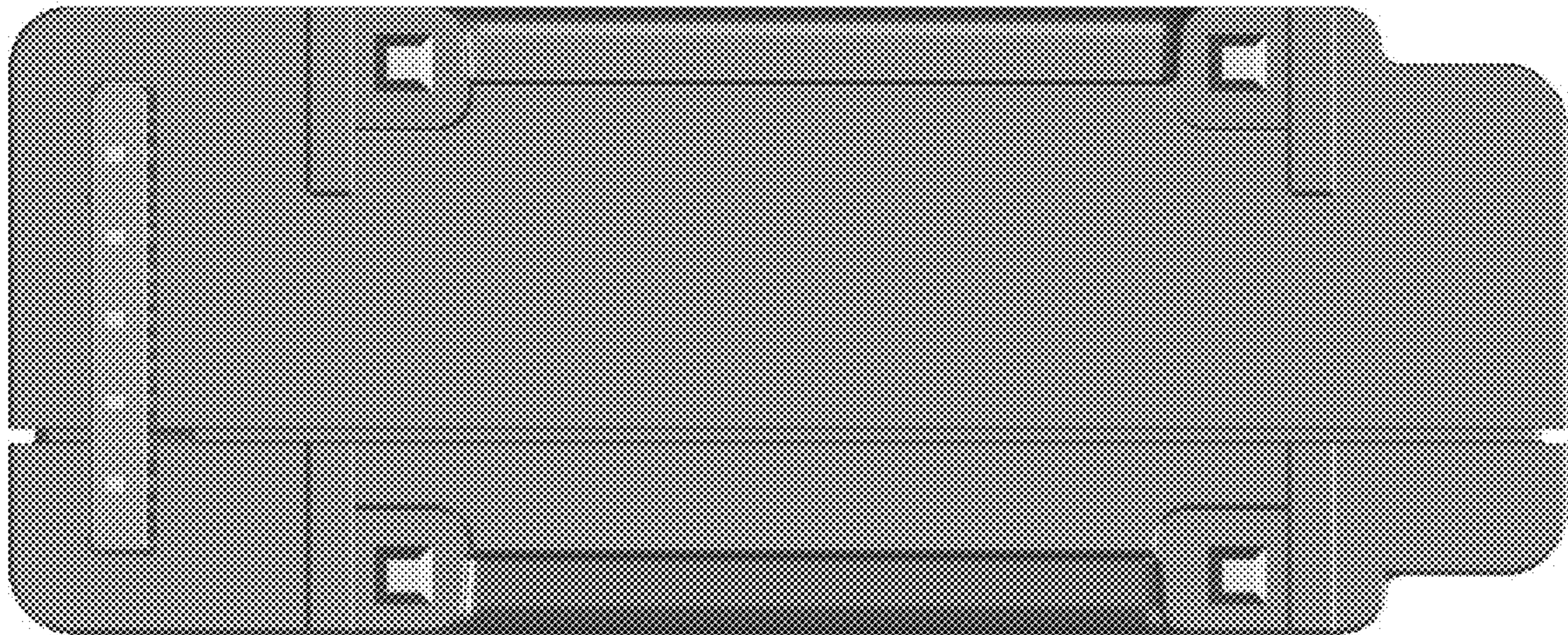
1.4



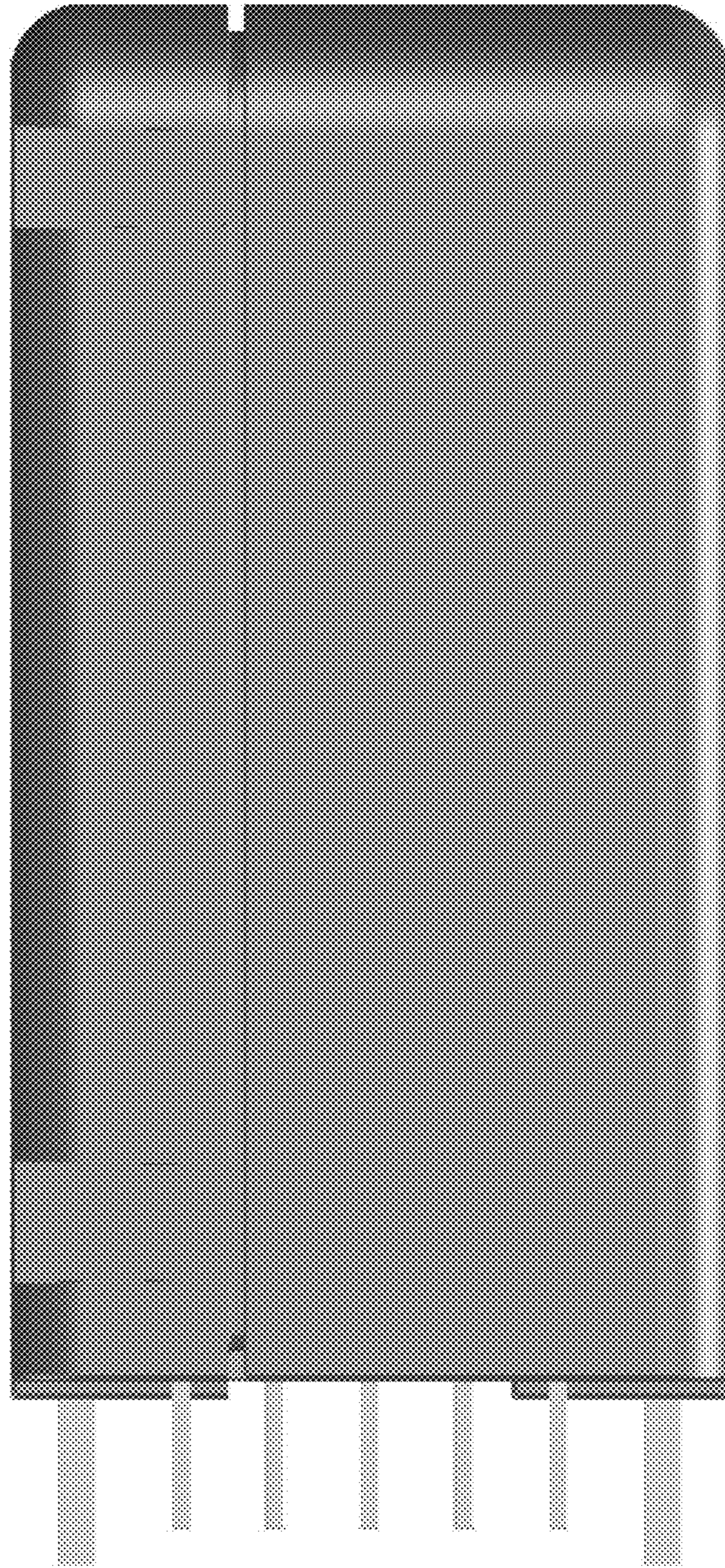
1.5



1.6



1.7



1.8

