



US00D856927S

(12) **United States Design Patent**
Eppinger

(10) **Patent No.:** **US D856,927 S**

(45) **Date of Patent:** **** Aug. 20, 2019**

(54) **INVERTER**

(71) Applicant: **SMA Solar Technology AG**, Niestetal (DE)

(72) Inventor: **Harry Eppinger**, Stuttgart (DE)

(73) Assignee: **SMA Solar Technology AG**, Niestetal (DE)

(**) Term: **15 Years**

(21) Appl. No.: **29/655,149**

(22) Filed: **Jun. 29, 2018**

(51) **LOC (12) Cl.** **13-02**

(52) **U.S. Cl.**
USPC **D13/110**

(58) **Field of Classification Search**
USPC D13/110, 108, 118, 123, 162, 168, 169,
D13/174, 177, 184, 199; D14/257, 432,
D14/438; 174/16.3, 17 R, 17.08;
361/600, 601, 690, 694, 695, 679.01,
361/679.61, 704, 730; 363/141, 142
CPC H05K 5/00; H05K 5/02; H05K 5/0247;
H05K 7/00; H05K 7/20; H05K 7/20136;
H05K 7/20154; H05K 7/209; H02M 7/00;
H02M 7/003; H02M 2001/009; H02J
7/0042; Y10T 307/367

See application file for complete search history.

(56) **References Cited**

U.S. PATENT DOCUMENTS

D358,753 S * 5/1995 Yoshida D13/123
5,610,493 A * 3/1997 Wieloch H02M 7/003
318/801

D562,765 S * 2/2008 Tsuzuki D13/110
D669,852 S * 10/2012 Eppinger D13/110
D677,222 S * 3/2013 Haapaniemi D13/110
D705,727 S * 5/2014 Hensel D13/102
D706,214 S * 6/2014 Benn D13/110
D706,216 S * 6/2014 Perin D13/110
D724,535 S * 3/2015 Wang D13/110
D798,809 S * 10/2017 Benn D13/110
2008/0302643 A1 * 12/2008 Victor H02M 7/003
200/331

* cited by examiner

Primary Examiner — Derrick E Holland

(74) *Attorney, Agent, or Firm* — Slater Matsil, LLP

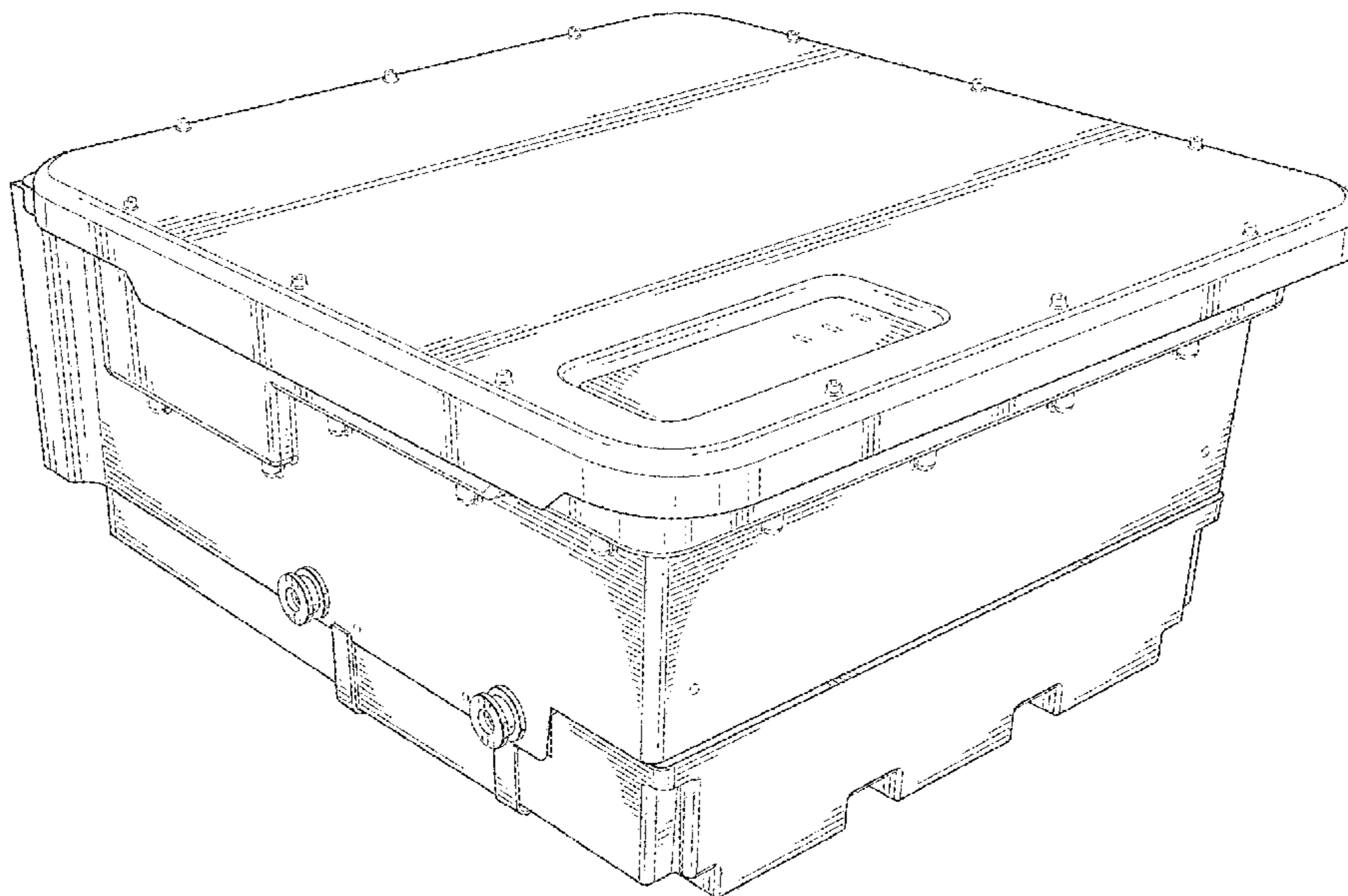
(57) **CLAIM**

The ornamental design for an inverter, as shown and described.

DESCRIPTION

FIG. 1 is a front perspective view of an inverter;
FIG. 2 is a top plan view thereof;
FIG. 3 is a right side view thereof;
FIG. 4 is a left side view thereof;
FIG. 5 is a rear view thereof;
FIG. 6 is a bottom plan view thereof; and,
FIG. 7 is a front view thereof.
The broken lines shown represent the portions of the inverter that form no part of the claimed design.

1 Claim, 7 Drawing Sheets



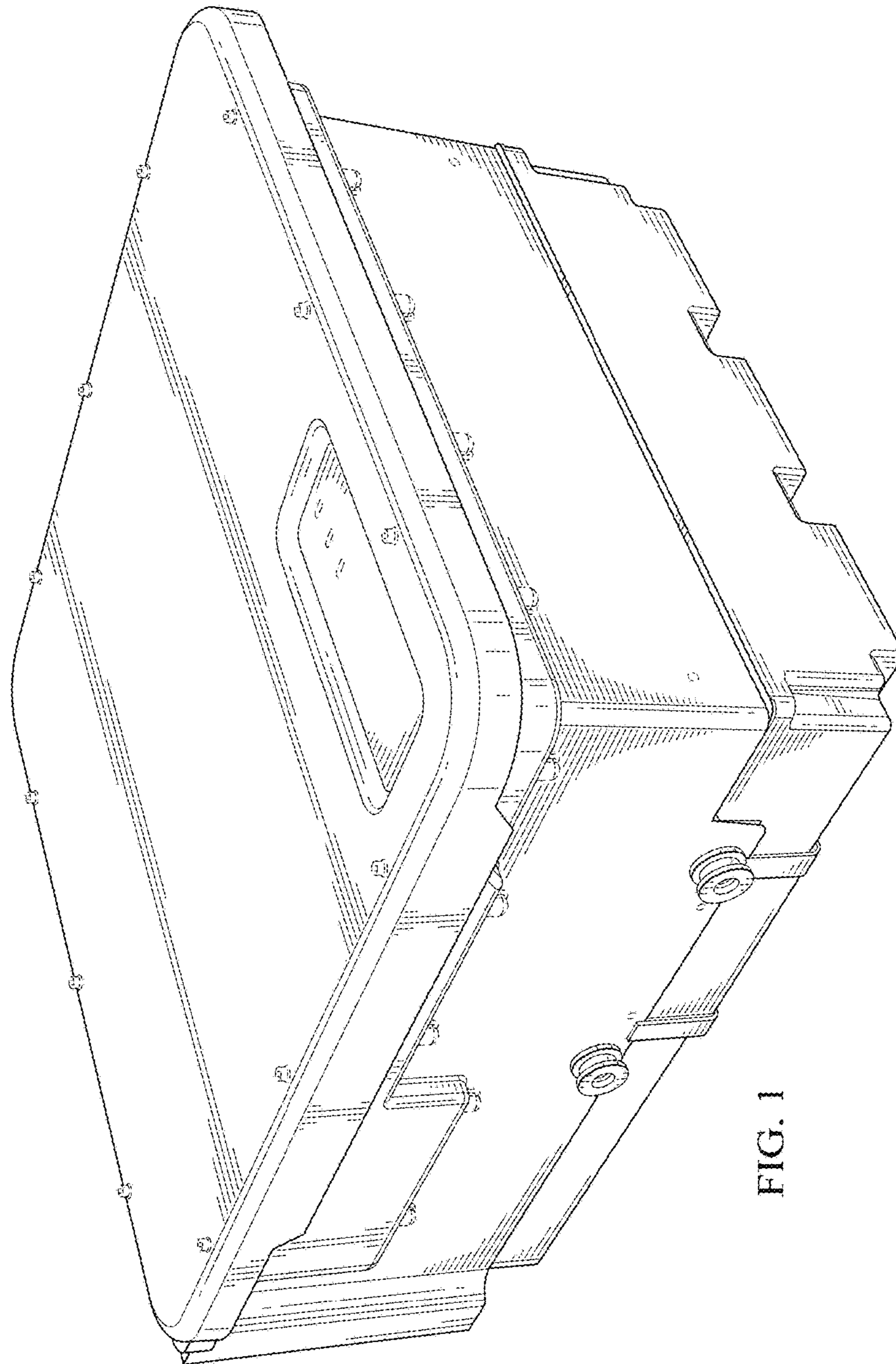


FIG. 1

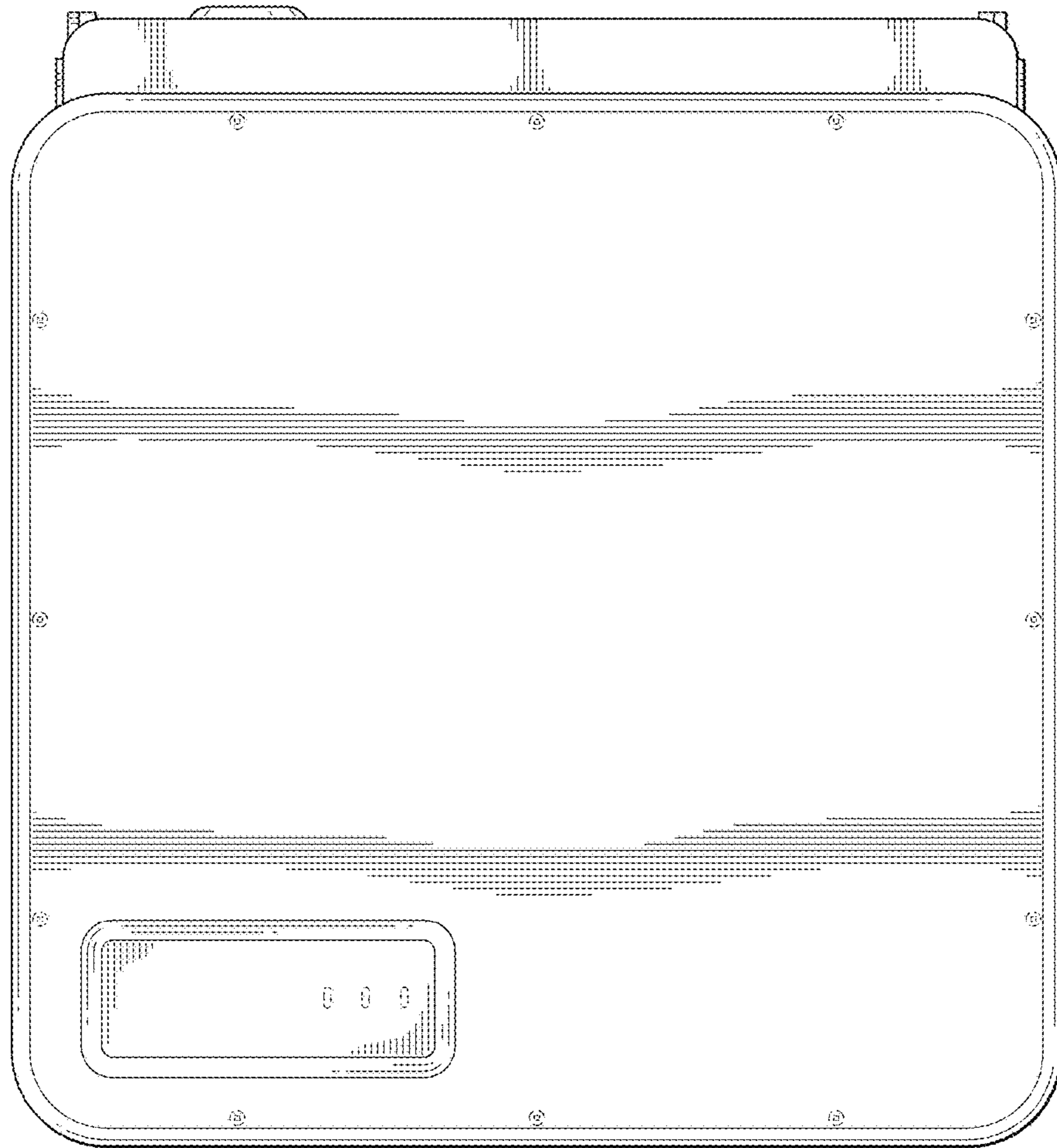


FIG. 2

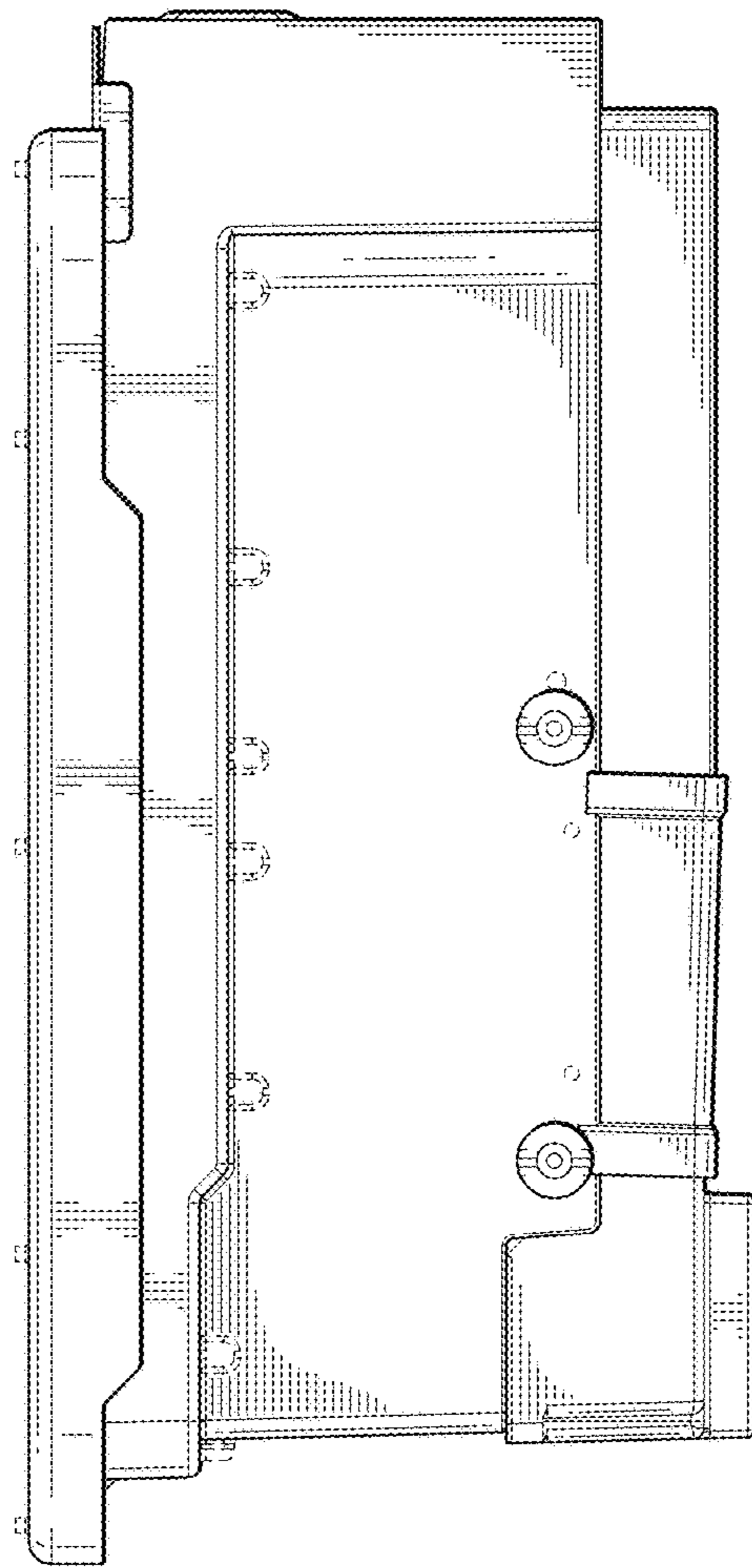


FIG. 3

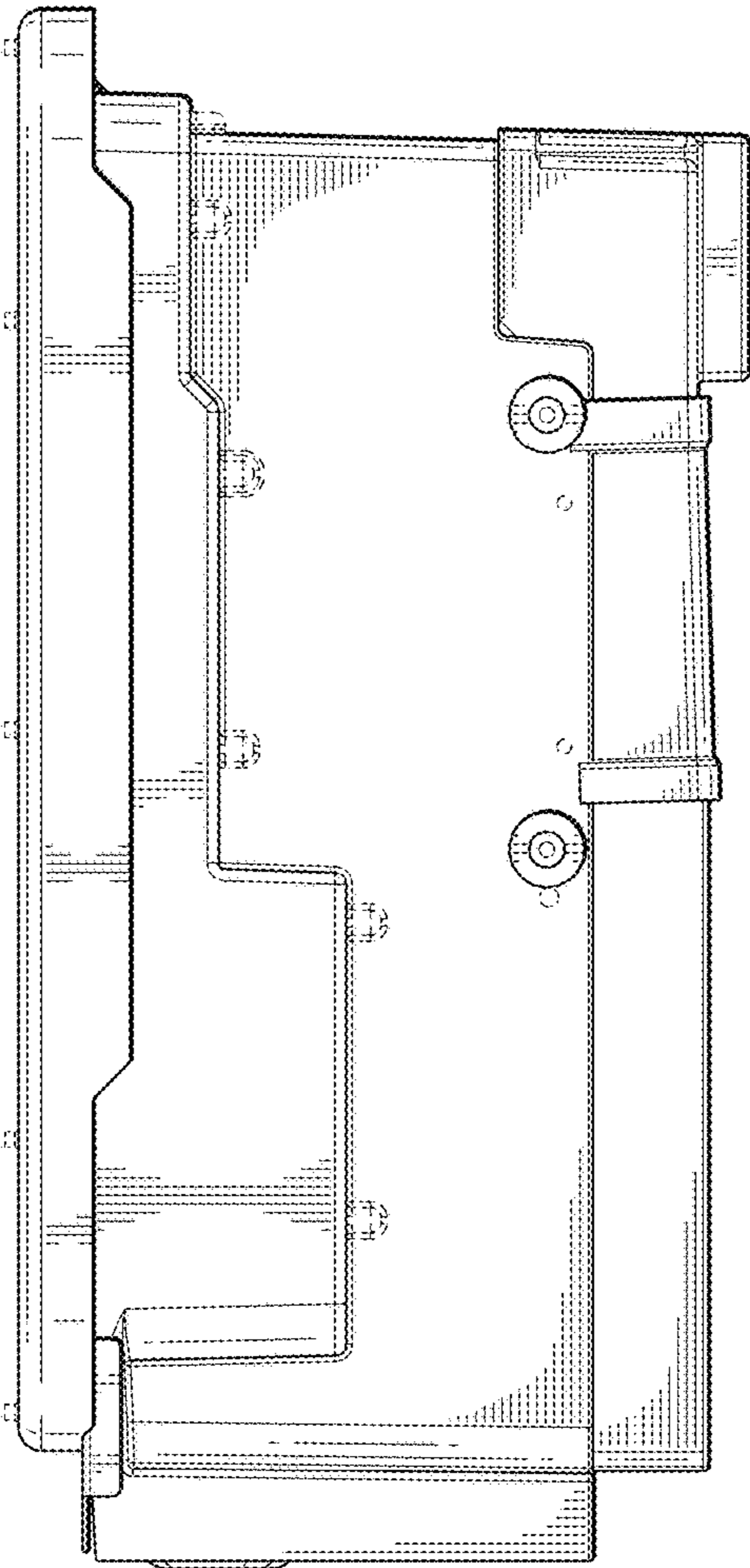


FIG. 4

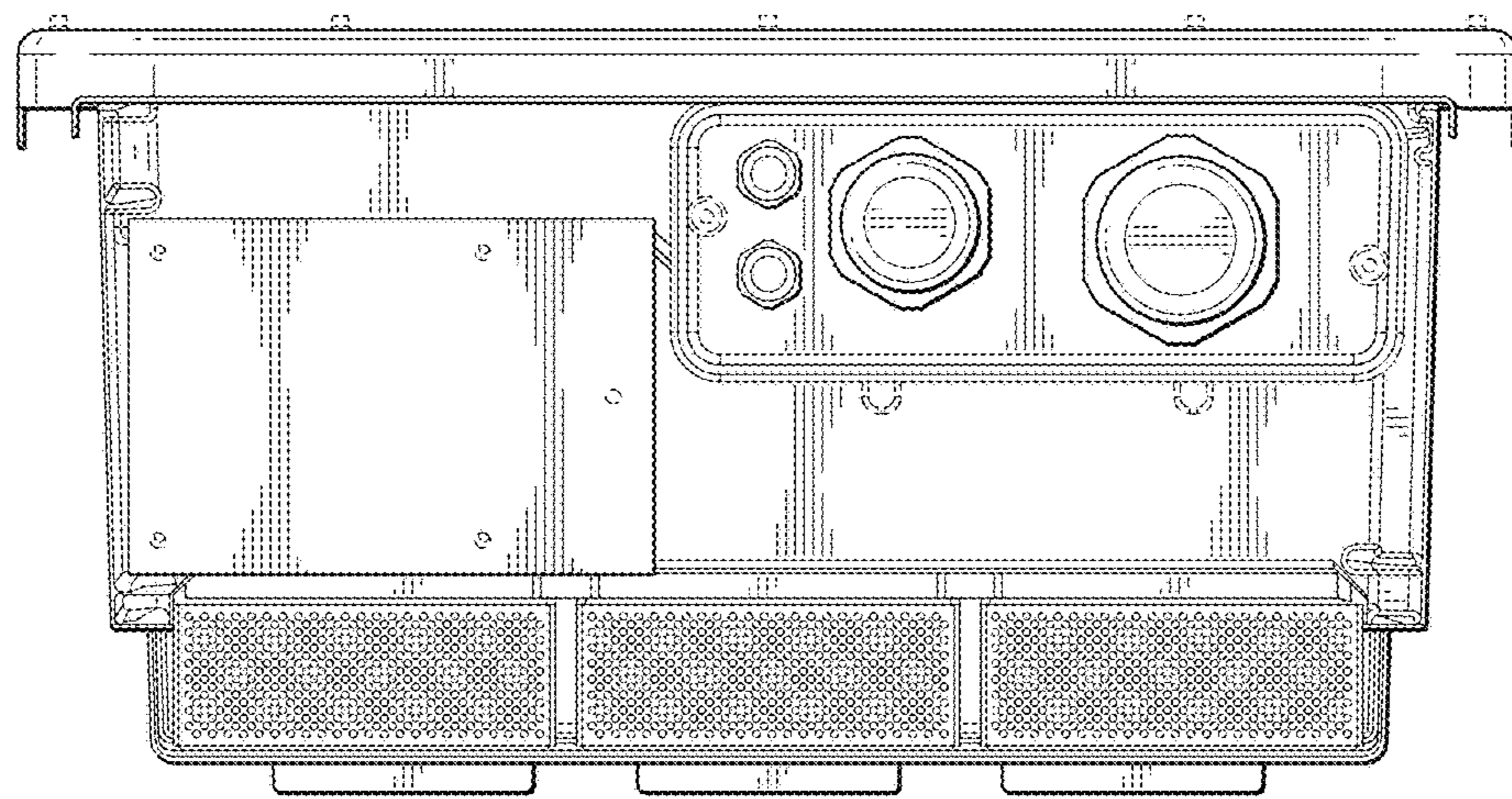


FIG. 5

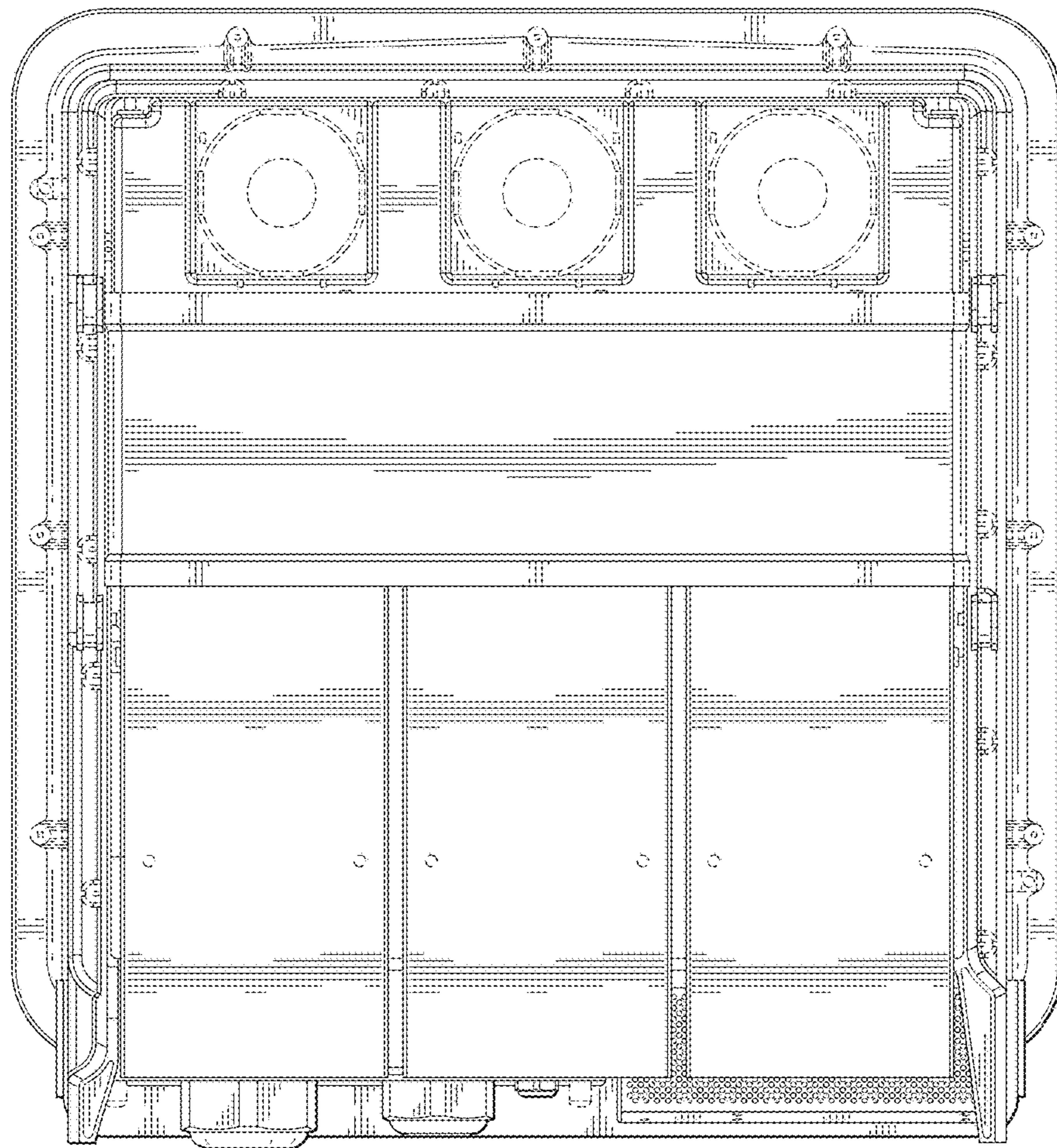


FIG. 6

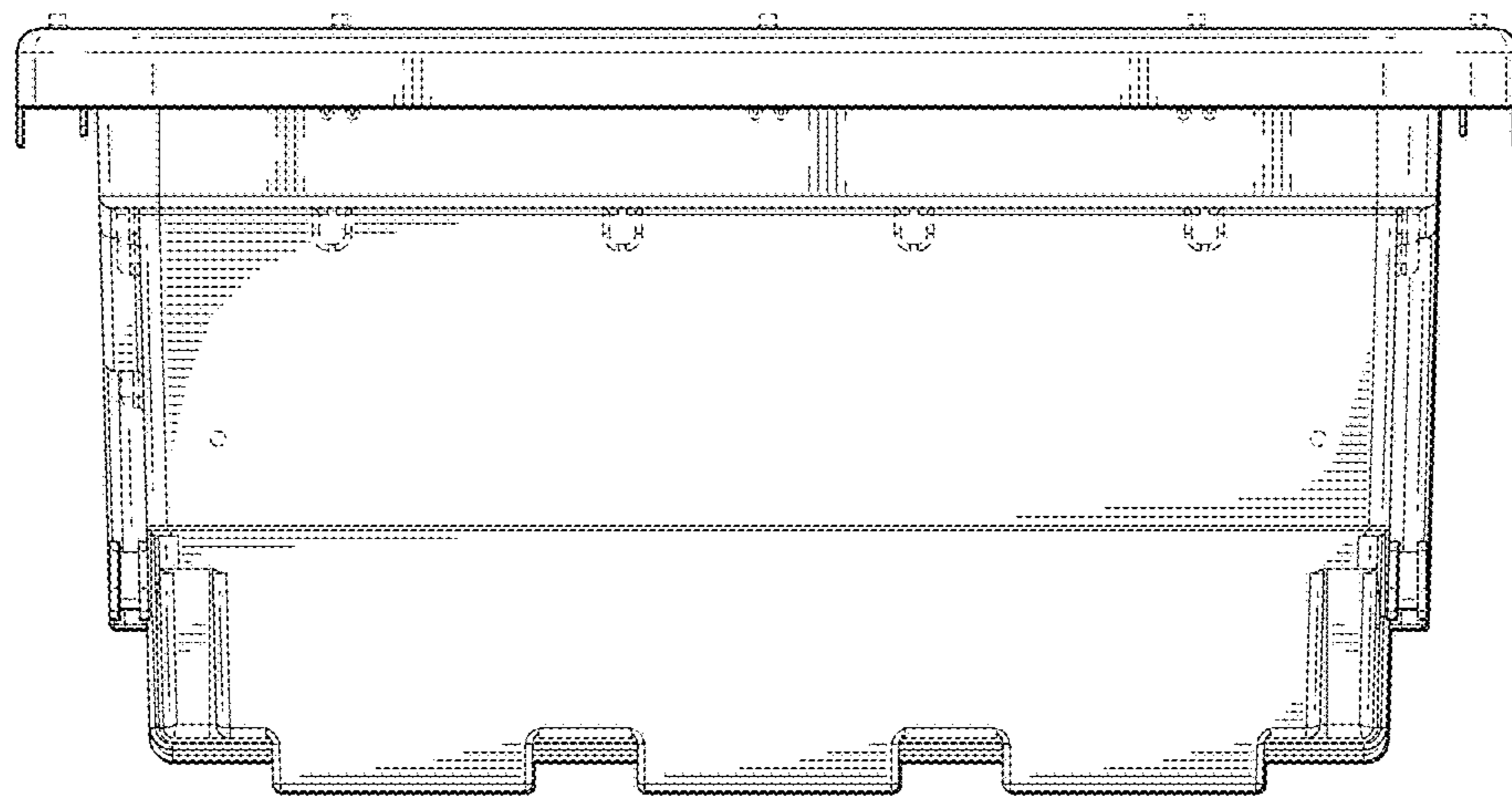


FIG. 7