



US00D856925S

(12) **United States Design Patent** (10) **Patent No.:** **US D856,925 S**  
**Chun** (45) **Date of Patent:** **\*\* Aug. 20, 2019**

(54) **WIRELESS PHONE CHARGER**  
(71) Applicant: **James Chun**, Vista, CA (US)  
(72) Inventor: **James Chun**, Vista, CA (US)  
(\*\*) Term: **15 Years**  
(21) Appl. No.: **29/630,556**  
(22) Filed: **Dec. 21, 2017**  
(51) **LOC (12) Cl.** ..... **13-02**  
(52) **U.S. Cl.**  
USPC ..... **D13/108**  
(58) **Field of Classification Search**  
USPC ..... D13/102–110, 118–119, 184, 199;  
D14/251, 356, 432, 447  
CPC ..... Y02E 60/10; Y02E 60/12; Y02E 60/122;  
Y02E 60/124; Y02E 60/50; H01M 2/02;  
H01M 2/022; H01M 2/0202; H01M  
2/0207; H01M 2/0212; H01M 2/1061;  
H01M 2/1022; H01M 2/1055; H01M  
2/1066; H01M 2/105; H01M 2/20; H01M  
2/202; H01M 2/204; H01M 2/206; H01M  
10/44; H01M 10/46; H01M 10/465;  
H01M 10/482; H01M 2200/30; H01M  
2250/30; H01M 2250/40; H02J 7/00;  
H02J 7/0003; H02J 7/0011; H02J 7/0013;  
H02J 7/0054; H02J 7/0055; H02J 7/0057;  
H02J 2007/0062

See application file for complete search history.

(56) **References Cited**

**U.S. PATENT DOCUMENTS**

D607,817 S \* 1/2010 Tan ..... D13/108  
D626,439 S \* 11/2010 Lee ..... D10/74  
D697,514 S \* 1/2014 Davis ..... D14/447  
D777,167 S \* 1/2017 Wengreen ..... D14/447

9,793,739 B2 \* 10/2017 Koren ..... H02J 7/025  
D817,270 S \* 5/2018 Kim ..... D13/108  
9,966,789 B2 \* 5/2018 Fang ..... H02J 7/025  
9,991,923 B2 \* 6/2018 Yan ..... H04M 1/12  
D825,575 S \* 8/2018 Gao ..... D14/447  
10,057,465 B2 \* 8/2018 Heine ..... G03B 17/561  
D829,723 S \* 10/2018 Kanter ..... D14/447  
2015/0097519 A1 \* 4/2015 Chen ..... H02J 7/025  
320/108  
2015/0188591 A1 \* 7/2015 Shen ..... H04B 1/3883  
455/557  
2018/0358826 A1 \* 12/2018 Allen ..... H02J 7/0044

\* cited by examiner

*Primary Examiner* — Jennifer Rivard

*Assistant Examiner* — Alison M Ofstun

(74) *Attorney, Agent, or Firm* — Dean Craine; Marisa Whitaker

(57) **CLAIM**

The ornamental design for a wireless phone charger, as shown and described.

**DESCRIPTION**

FIG. 1 is a rear perspective view of a wireless phone charger. FIG. 2 is a front perspective view of the wireless phone charger.

FIG. 3 is a left side elevational view of the invention thereof.

FIG. 4 is a rear elevational view of the invention thereof.

FIG. 5 is a right side elevational view of the invention thereof.

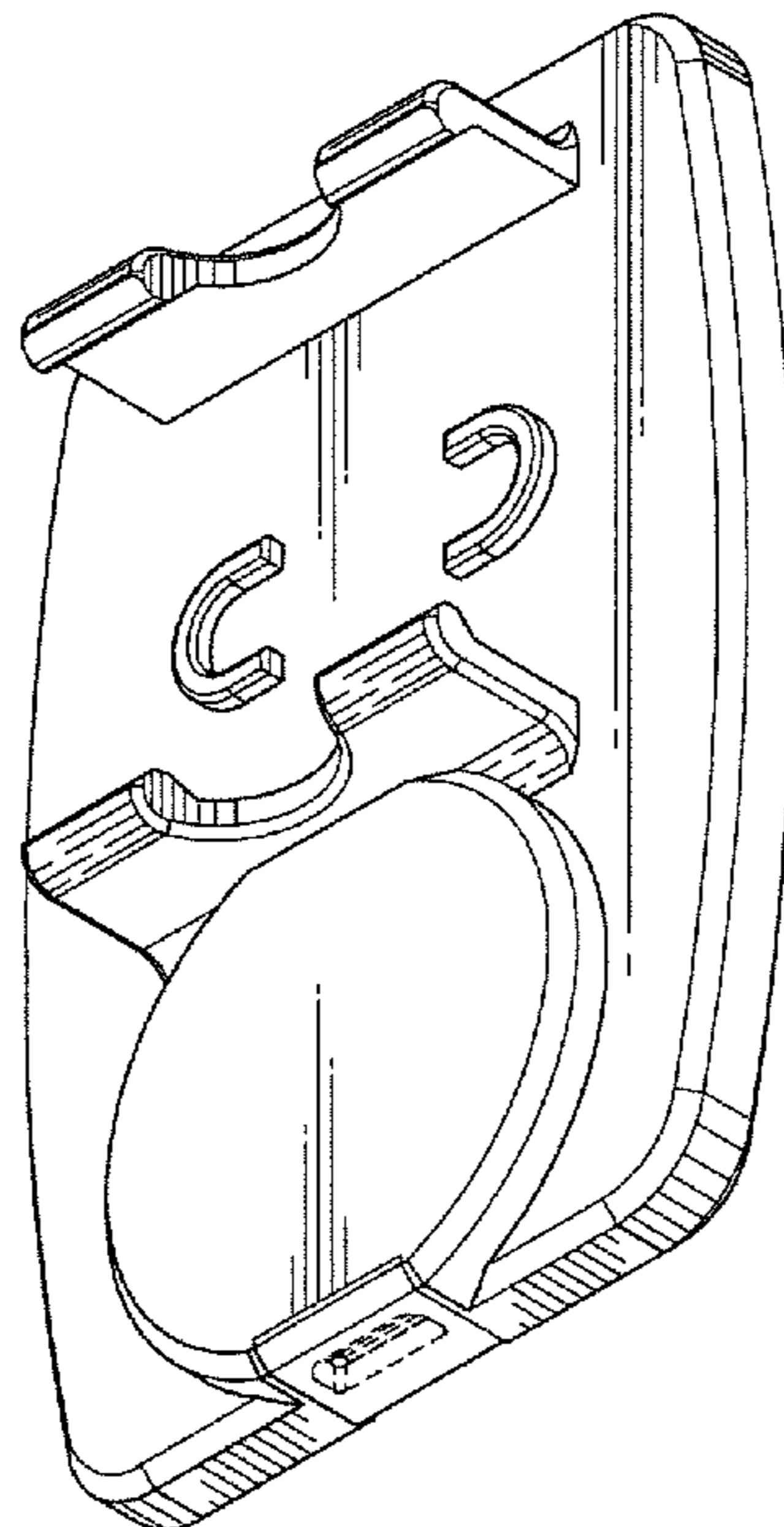
FIG. 6 is a front elevational view of the invention thereof.

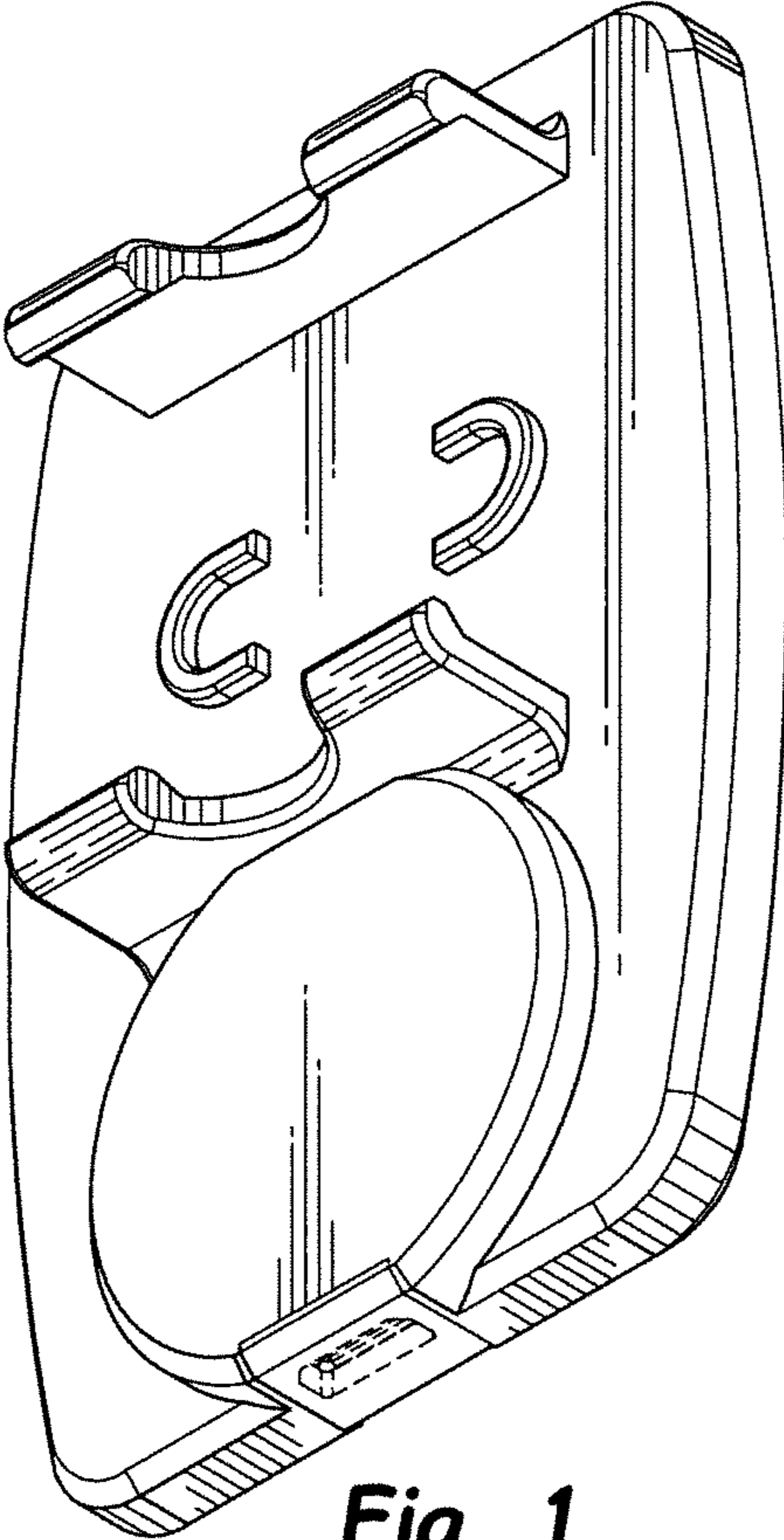
FIG. 7 is a top plan view of the invention thereof; and,

FIG. 8 is a bottom plan view of the invention thereof.

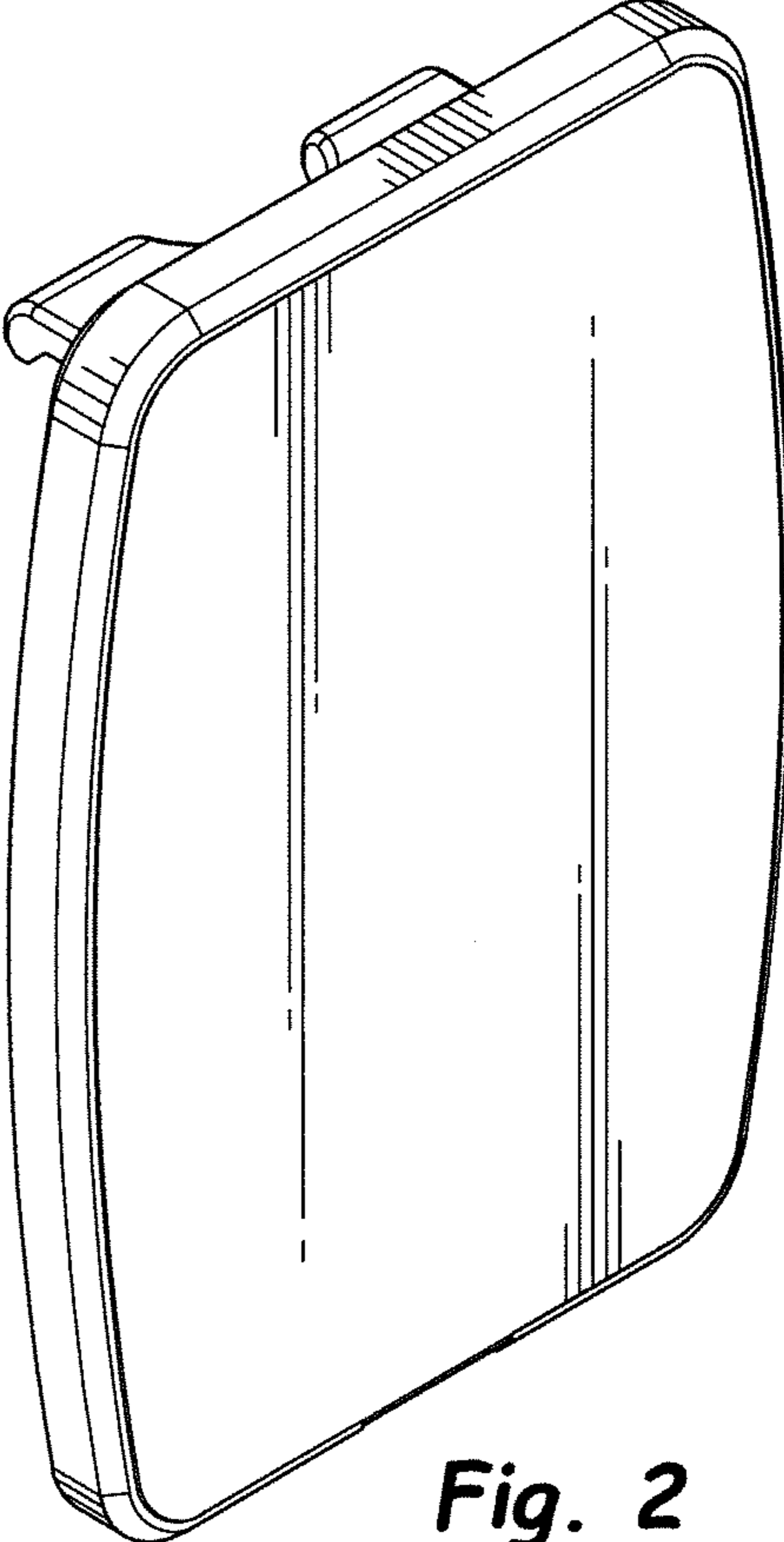
The broken lines in the figures are included for the purpose of illustrating portions of the article which form no part of the claimed design.

**1 Claim, 3 Drawing Sheets**





**Fig. 1**



**Fig. 2**

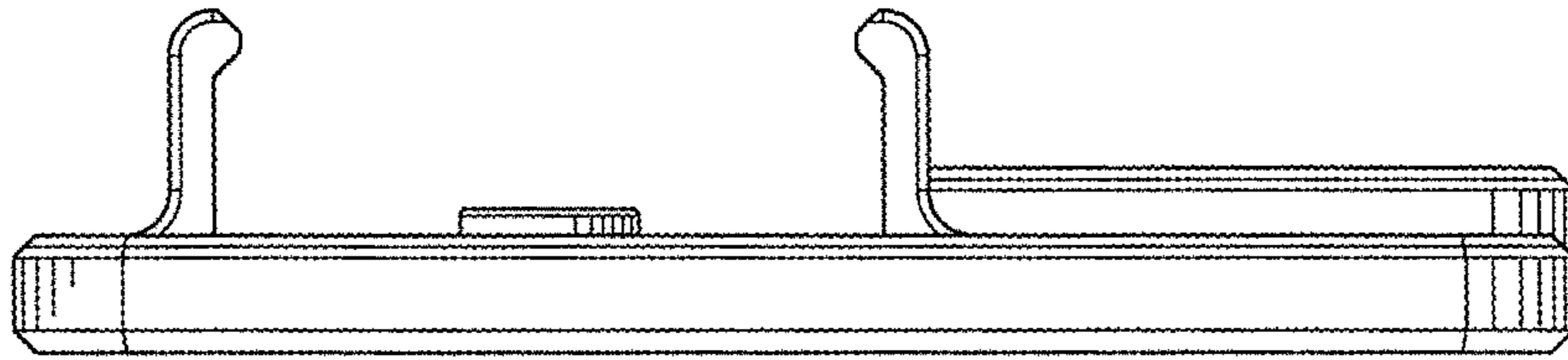


Fig. 5

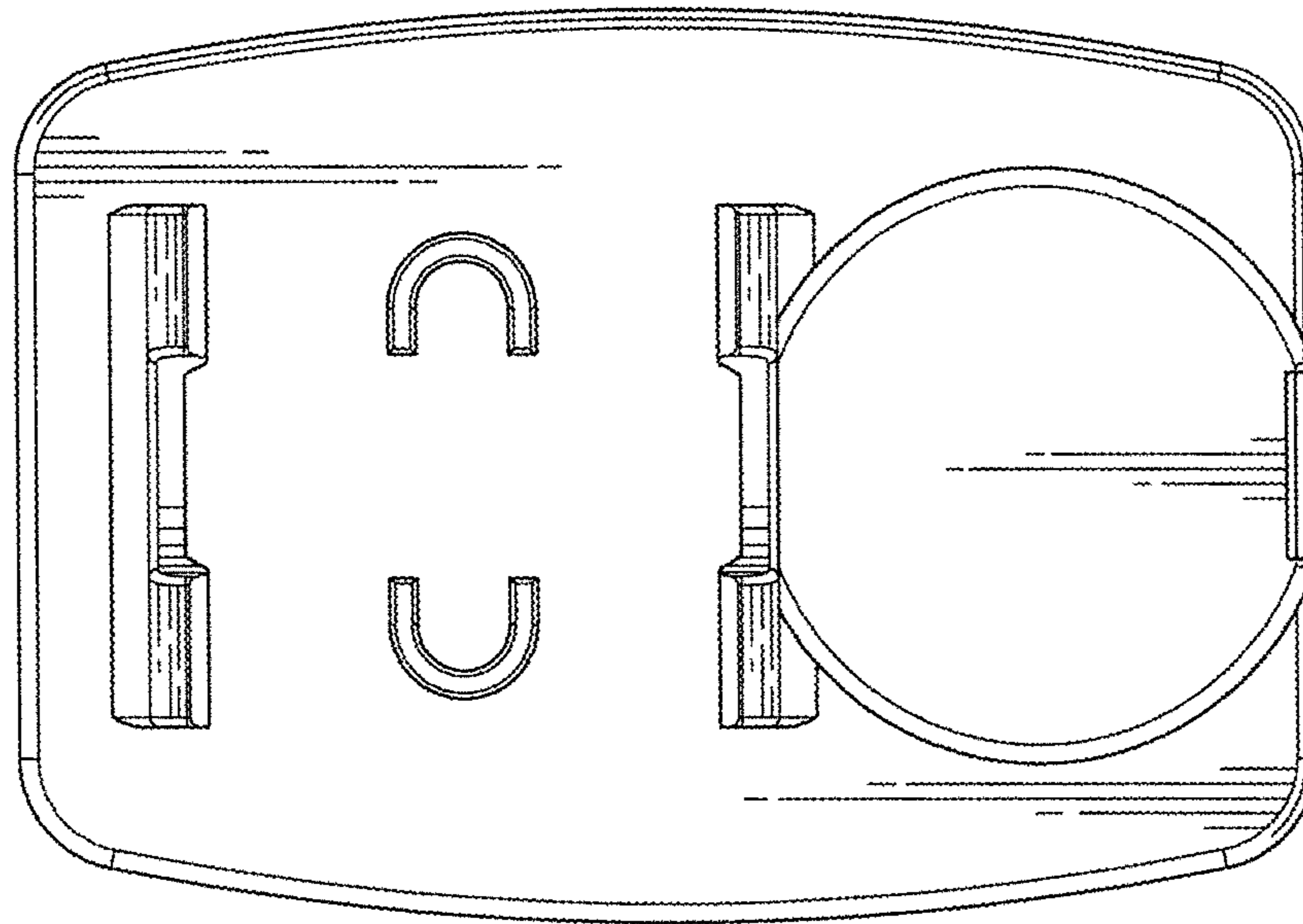


Fig. 4

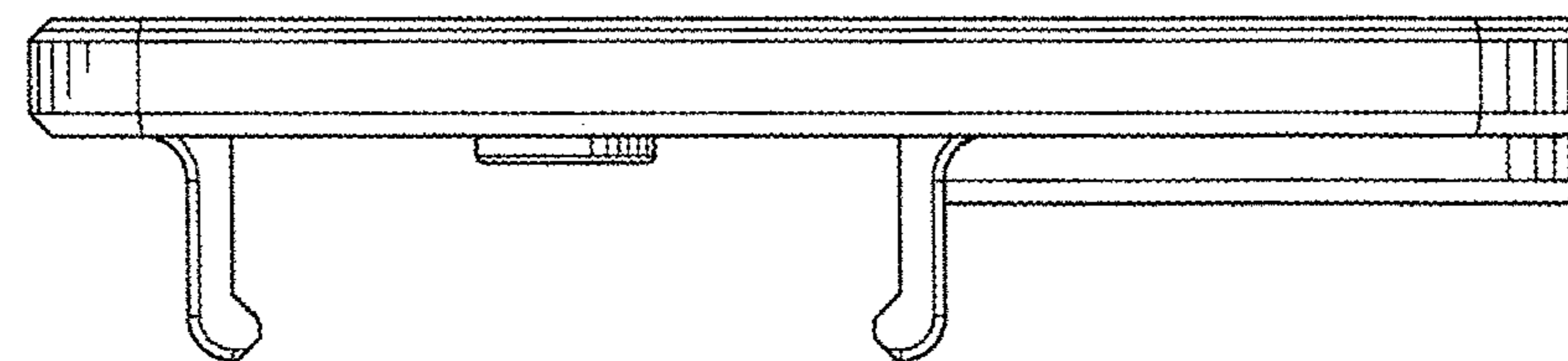
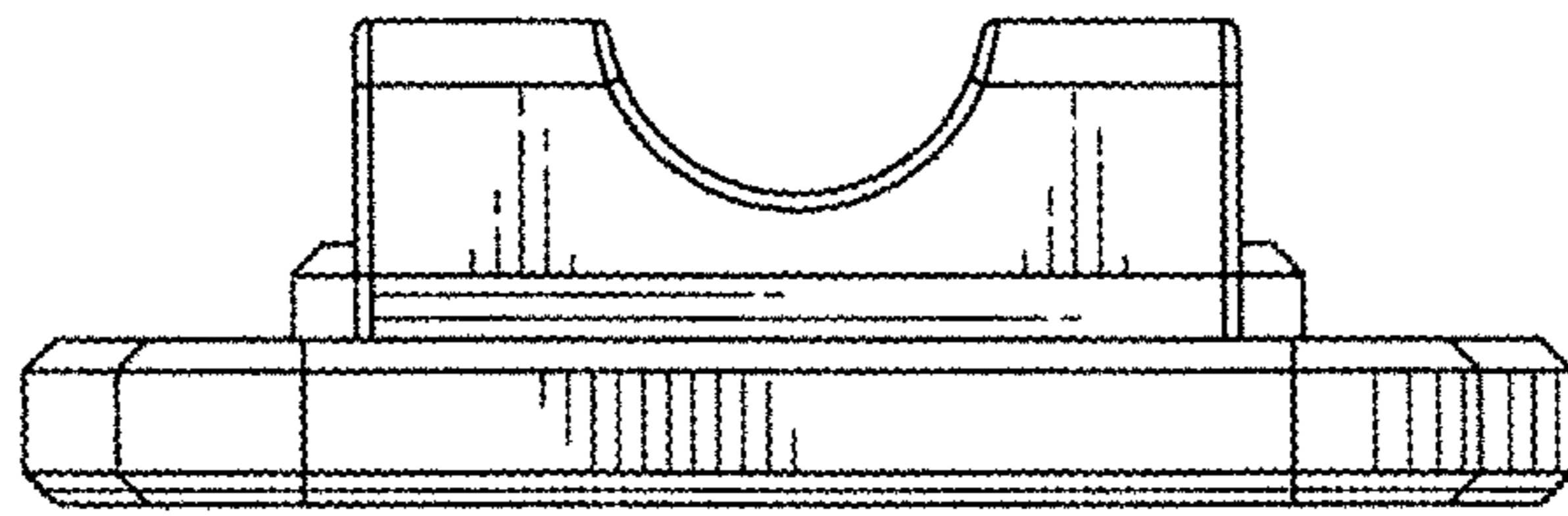
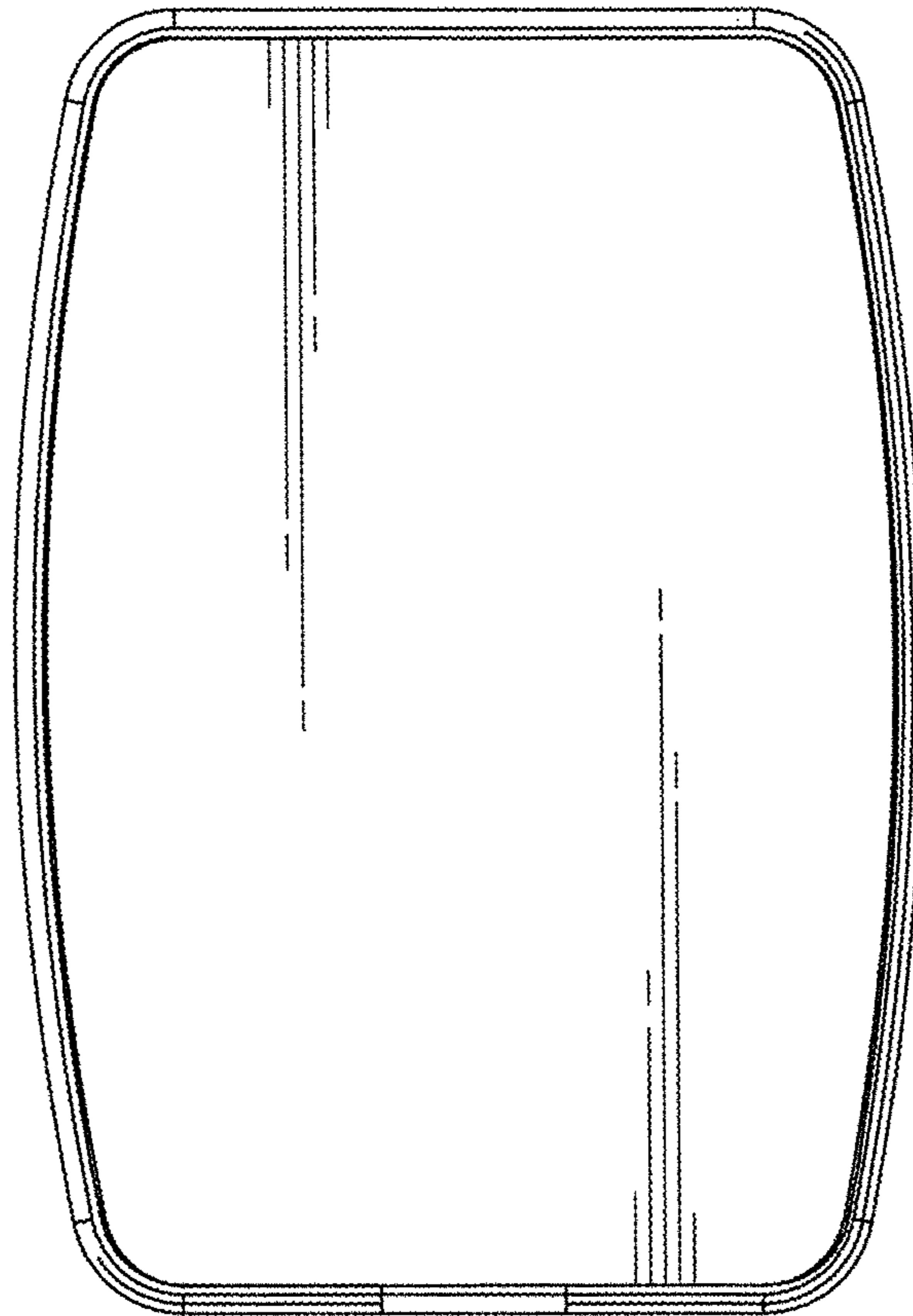


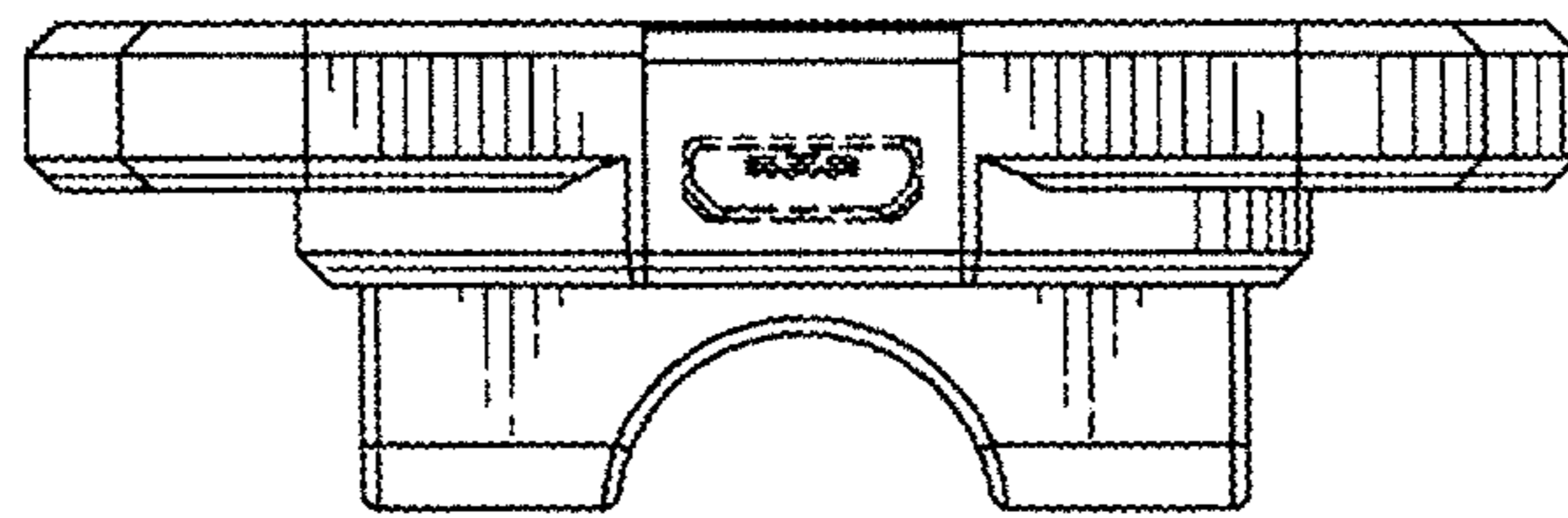
Fig. 3



*Fig. 7*



*Fig. 6*



*Fig. 8*