



US00D856924S

(12) **United States Design Patent**  
**Yang et al.**

(10) **Patent No.:** **US D856,924 S**

(45) **Date of Patent:** **\*\* Aug. 20, 2019**

(54) **POWER BANK**

(71) Applicant: **Ningbo Gude Electronic Technology Co., Ltd.**, Ningbo, Zhejiang (CN)

(72) Inventors: **Zhaolin Yang**, Zhejiang (CN); **Jianrong Zhou**, Zhejiang (CN); **Jun Wang**, Zhejiang (CN); **Weijun Pan**, Zhejiang (CN)

(73) Assignee: **Ningbo Gude Electronic Technology Co., Ltd.**, Ningbo (CN)

(\*\*) Term: **15 Years**

(21) Appl. No.: **29/628,016**

(22) Filed: **Nov. 30, 2017**

(30) **Foreign Application Priority Data**

Nov. 7, 2017 (CN) ..... 2017 3 0543008

(51) **LOC (12) Cl.** ..... **13-02**

(52) **U.S. Cl.**  
USPC ..... **D13/108**

(58) **Field of Classification Search**  
USPC ..... D13/103, 107-108, 110; D3/218, 210;  
D14/356, 432; D28/73  
CPC ..... Y02E 60/12; Y02E 60/122; Y02E 60/124;  
Y02E 60/50; Y02E 60/10; H04R 1/10;  
H04R 1/28; Y02T 90/122; Y02T 90/128;  
Y02T 90/163; H02J 7/025; H02J 7/0042;  
H02J 7/0044; H02J 7/0045; H02J 7/0003;  
H01M 2/1022; H01M 2/1055; H01M  
10/44; H01M 10/46; H01M 10/425; B60L  
11/182

See application file for complete search history.

(56) **References Cited**

**U.S. PATENT DOCUMENTS**

D444,125 S \* 6/2001 Shy ..... D13/110  
D503,148 S \* 3/2005 Krieger ..... D13/107

D506,724 S \* 6/2005 Hriscu ..... D13/107  
D514,508 S \* 2/2006 Krieger ..... D13/107  
D601,496 S \* 10/2009 Shum ..... D13/107  
D635,090 S \* 3/2011 DuMelle ..... D13/107  
D653,203 S \* 1/2012 DuMelle ..... D13/107  
D653,612 S \* 2/2012 DuMelle ..... D13/107  
D742,308 S \* 11/2015 James ..... D13/107  
D742,821 S \* 11/2015 James ..... D13/107  
D762,167 S \* 7/2016 Inskeep ..... D13/107  
D823,789 S \* 7/2018 Yang ..... D13/107

(Continued)

**OTHER PUBLICATIONS**

Schumacher XP2260 1200 Peak Amp Instant Portable Power Source and Jump Starter, Schumacher, first available on Dec. 1, 2010 on amazon.com, retrieved on Nov. 18, 2018, retrieved from the Internet URL: [https://www.amazon.com/Schumacher-XP2260-Instant-Portable-Starter/dp/B004EIAADG/ref=olp\\_product\\_details?\\_encoding=UTF8&m.\\*](https://www.amazon.com/Schumacher-XP2260-Instant-Portable-Starter/dp/B004EIAADG/ref=olp_product_details?_encoding=UTF8&m.*)

*Primary Examiner* — Jennifer Rivard  
*Assistant Examiner* — Alison M Ofstun

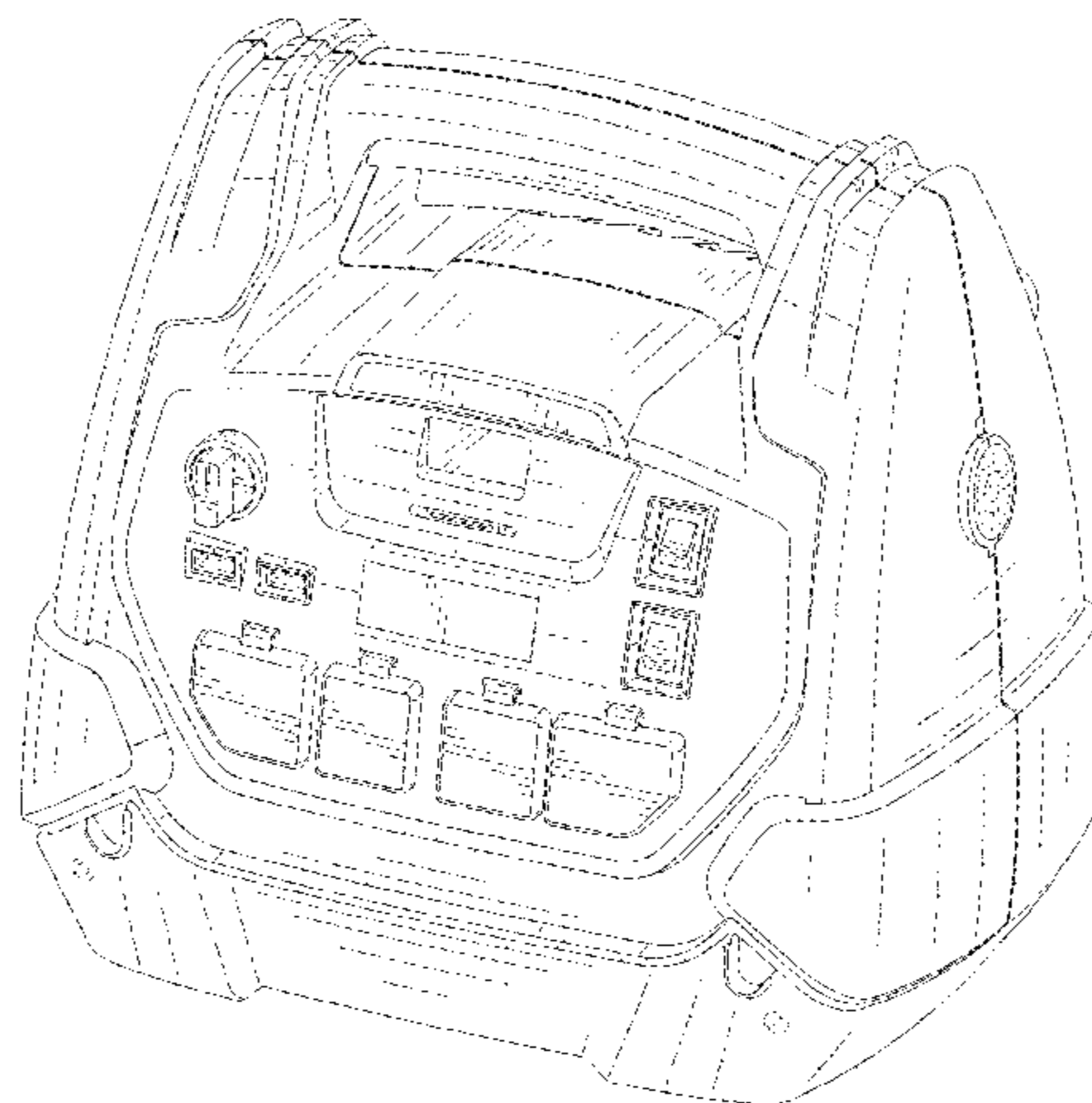
(57) **CLAIM**

The ornamental design for a power bank, as shown and described.

**DESCRIPTION**

FIG. 1 is a front elevational view of a power bank showing our new design;  
FIG. 2 is a rear elevational view thereof;  
FIG. 3 is a left side view thereof;  
FIG. 4 is a right side view thereof;  
FIG. 5 is a top plan view thereof;  
FIG. 6 is a bottom plan view thereof;  
FIG. 7 is a first perspective view thereof; and,  
FIG. 8 is a second perspective view thereof.  
The broken lines in the drawings illustrate portions of the power bank which form no part of the claimed design.  
The diagonal lines indicate transparency.

**1 Claim, 8 Drawing Sheets**



(56)

**References Cited**

U.S. PATENT DOCUMENTS

D825,457 S \* 8/2018 Yang ..... D13/107  
D833,385 S \* 11/2018 Inskeep ..... D13/107

\* cited by examiner

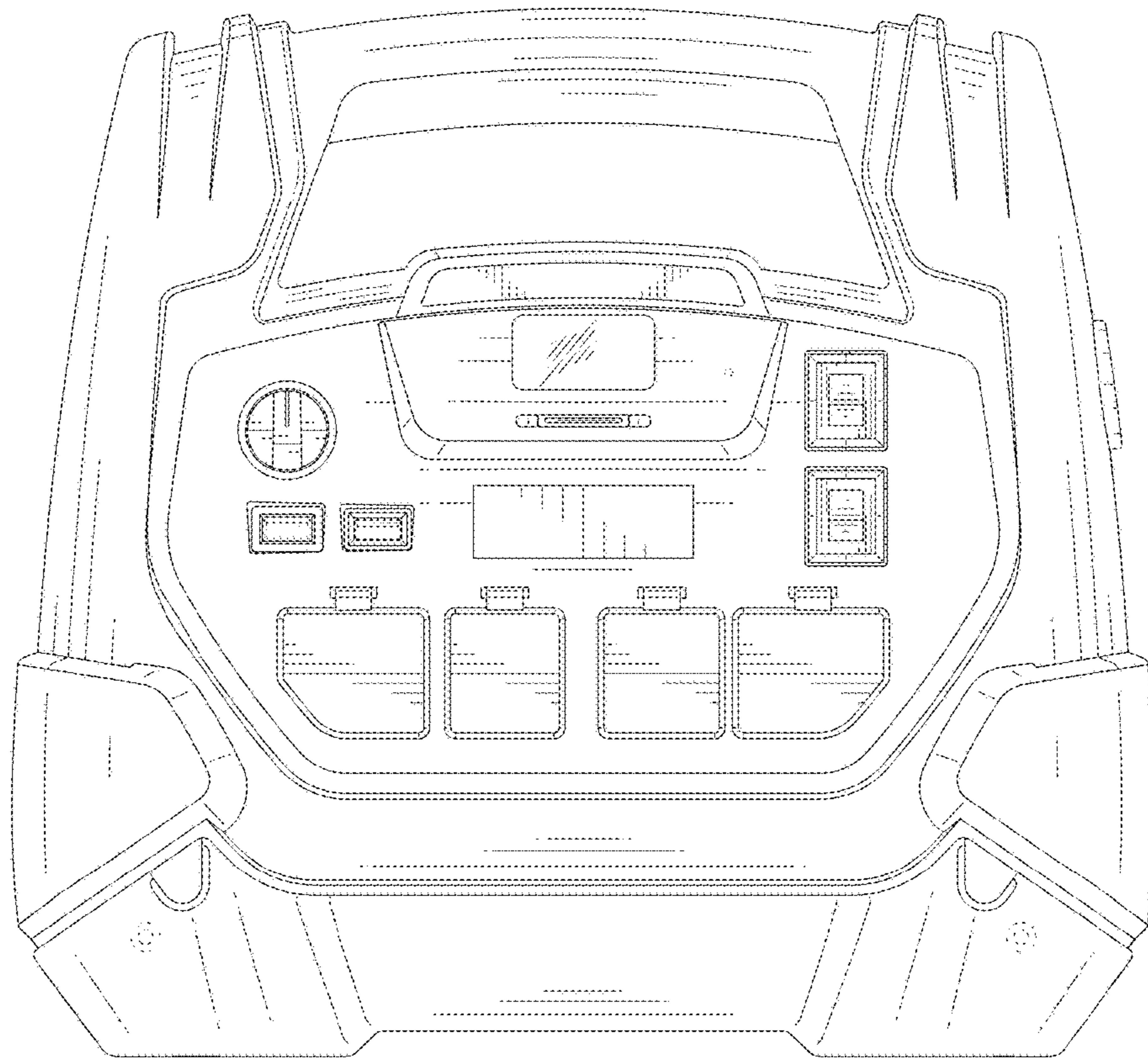


FIG. 1

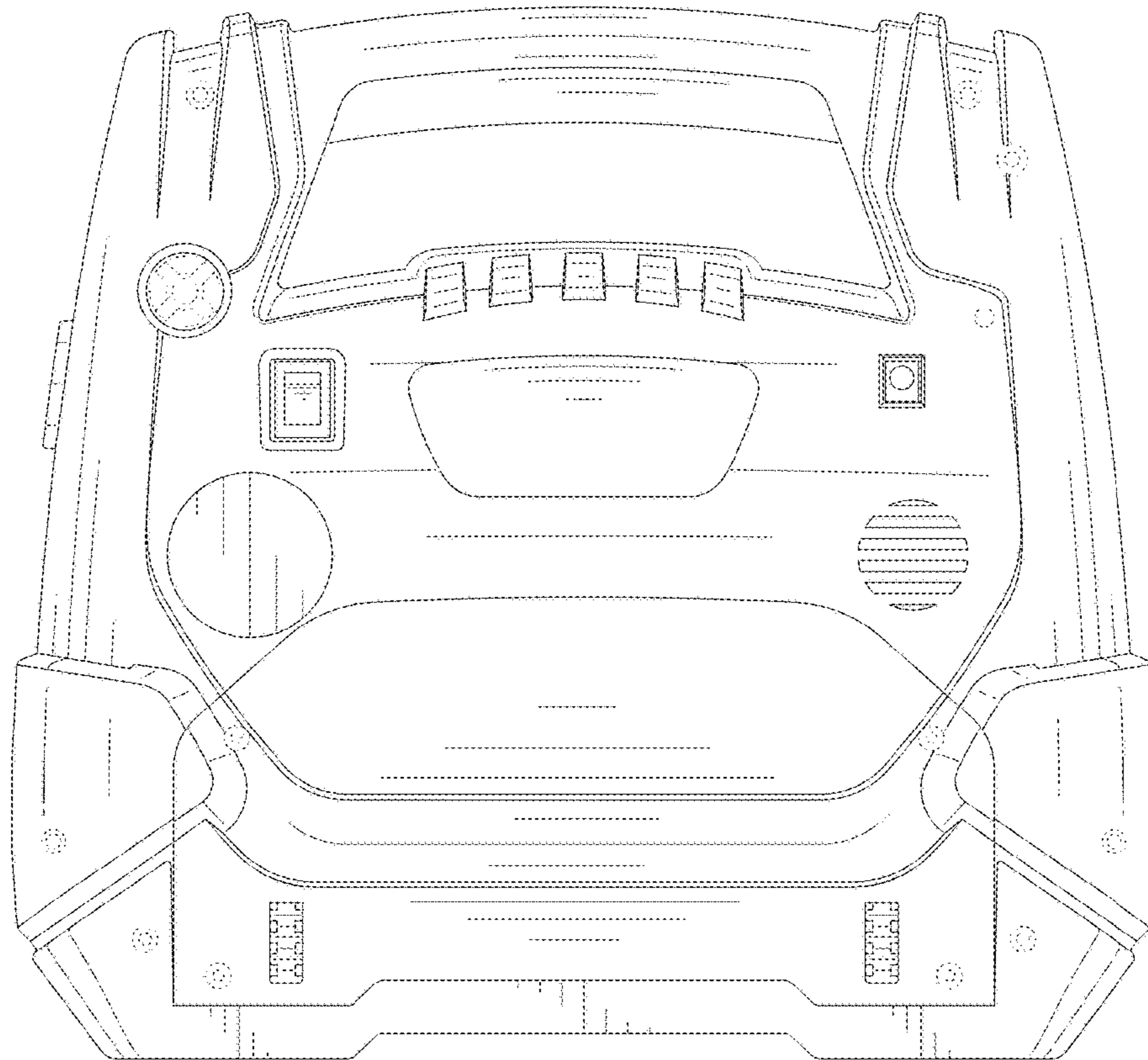


FIG. 2

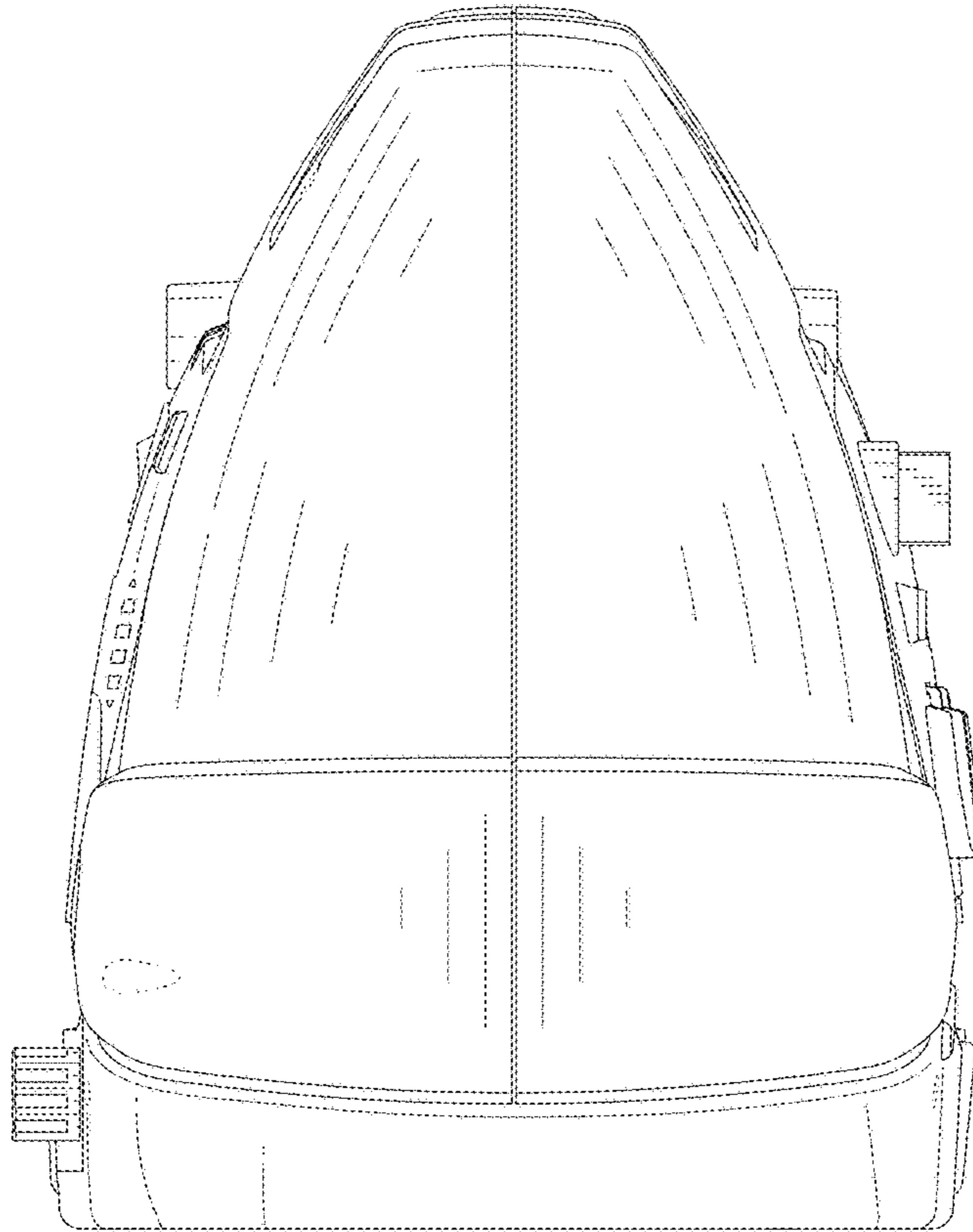


FIG.3

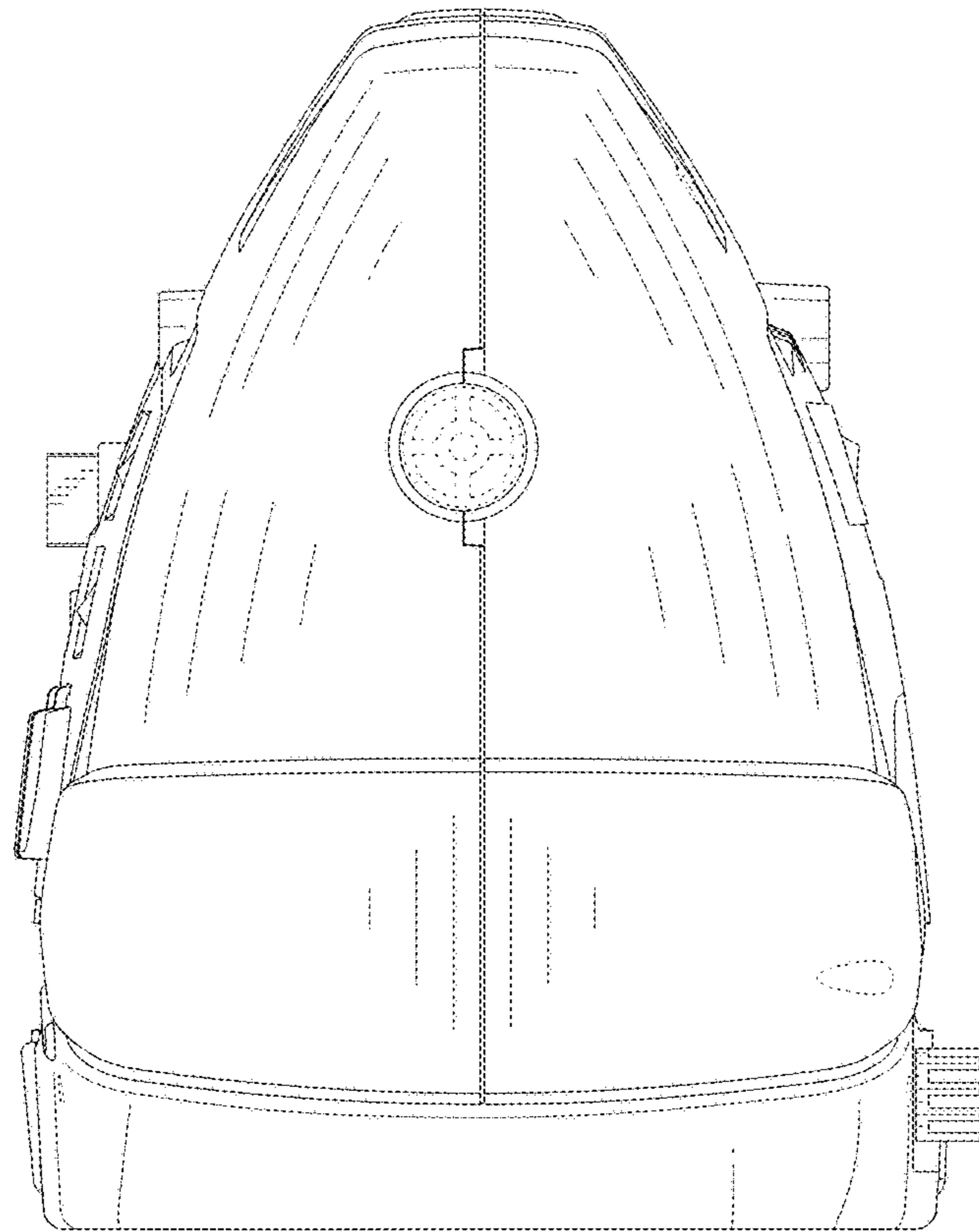


FIG.4

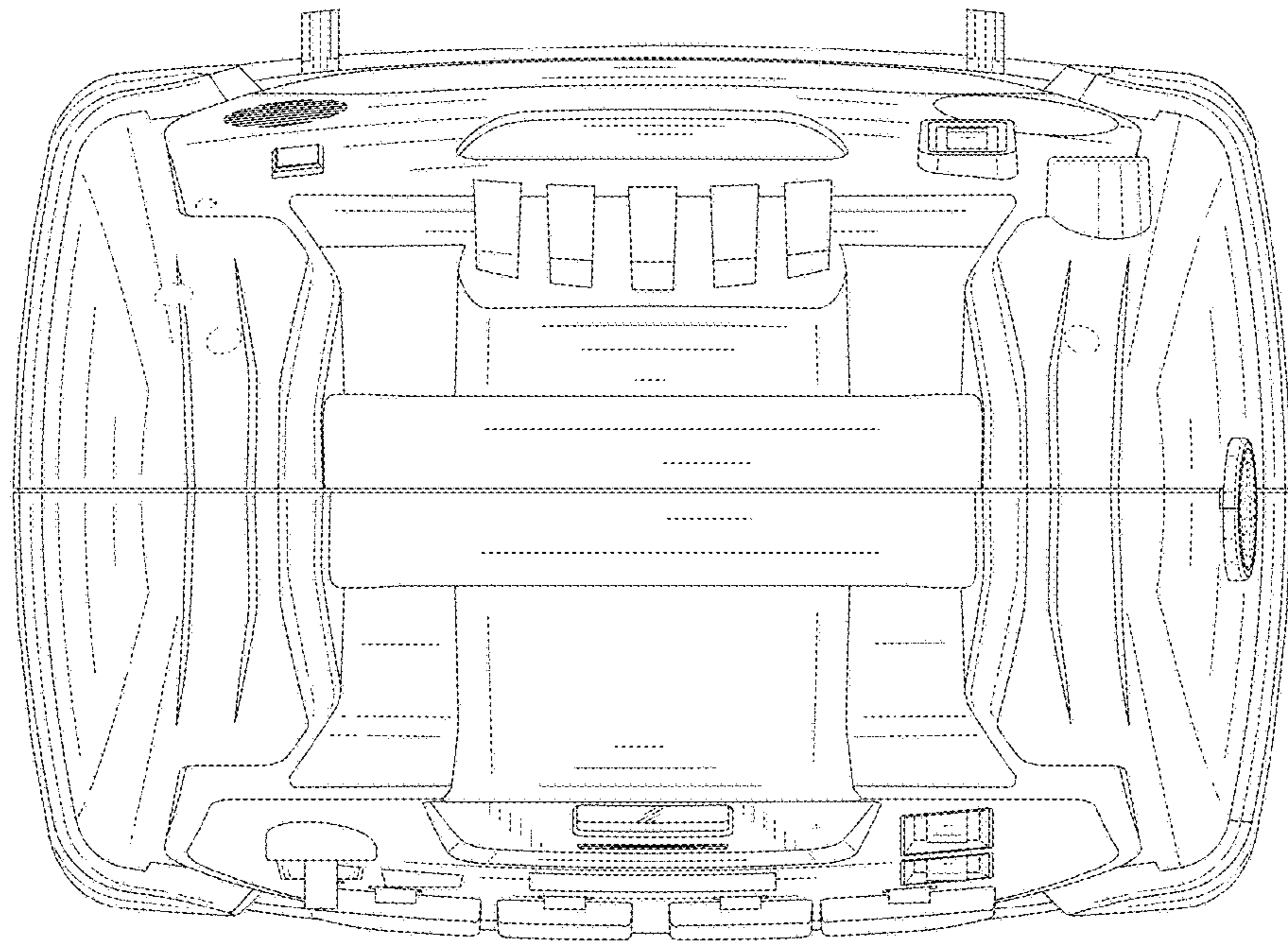


FIG. 5

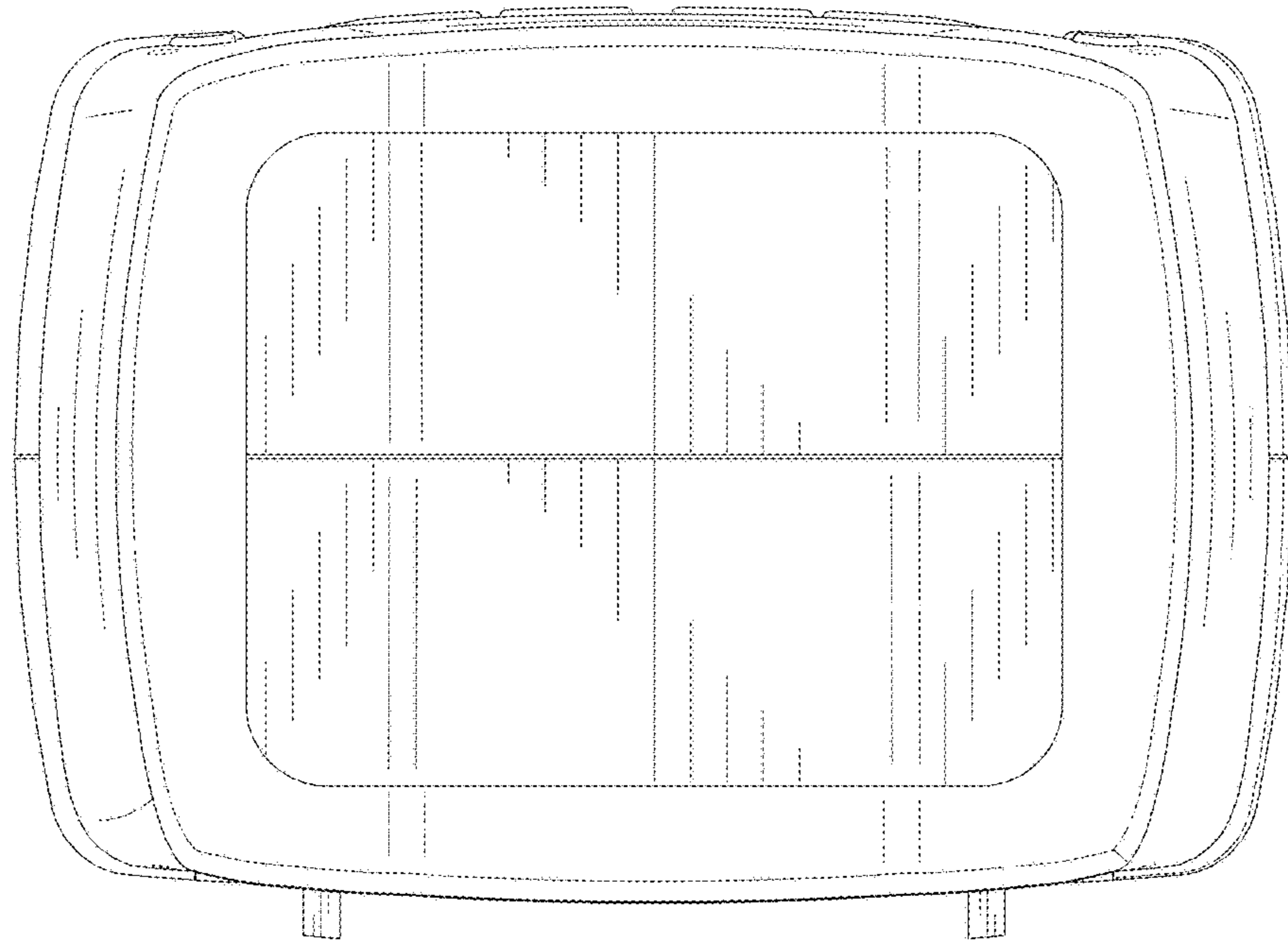


FIG.6





FIG. 7

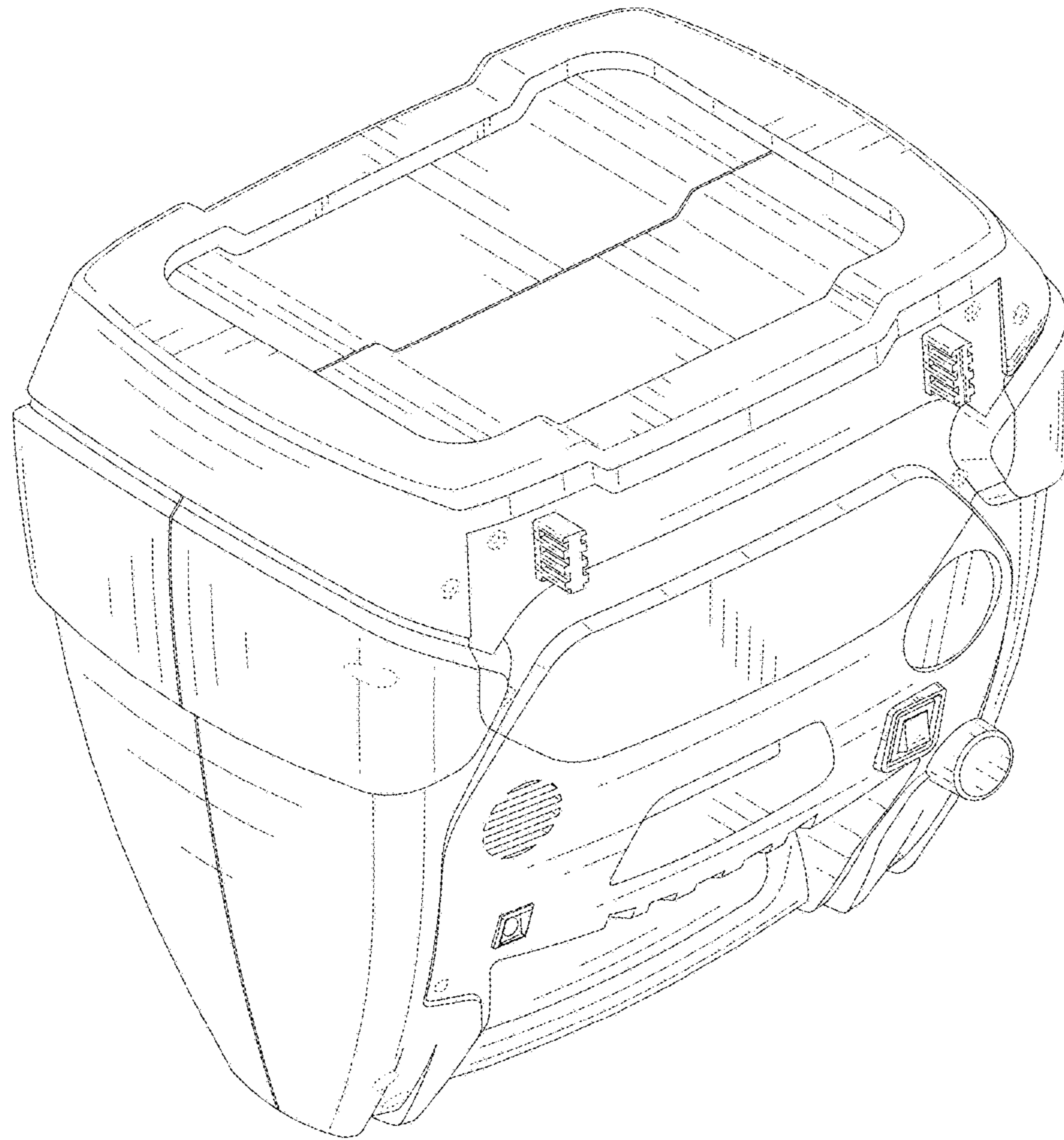


FIG. 8