



US00D856923S

(12) **United States Design Patent**
Huang

(10) **Patent No.:** **US D856,923 S**

(45) **Date of Patent:** **** Aug. 20, 2019**

(54) **CHARGER**

(71) Applicant: **Gengxin Huang**, Yichun (CN)

(72) Inventor: **Gengxin Huang**, Yichun (CN)

(73) Assignee: **Shenzhen City Jinrui Energy Technology Co., Ltd**, Shenzhen (CN)

(**) Term: **15 Years**

(21) Appl. No.: **29/615,356**

(22) Filed: **Aug. 28, 2017**

(51) **LOC (12) Cl.** **13-02**

(52) **U.S. Cl.**
USPC **D13/108**

(58) **Field of Classification Search**
USPC D13/107-110, 118-119, 184; D14/251,
D14/253, 432, 434

CPC Y02E 60/12; Y02T 90/14; Y02T 90/122;
Y02T 90/128; Y02T 90/163; H02J 7/025;
H02J 7/0042; H02J 7/0044; H02J 7/0045;
H02J 7/0003; H01F 38/14; H01R
13/6675; H01M 2/1022; H01M 2/1055;
H01M 10/44; H01M 10/46; H01M
10/425; B60L 11/182

See application file for complete search history.

(56) **References Cited**

U.S. PATENT DOCUMENTS

D664,091 S	*	7/2012	Pliner	D13/108
D687,375 S	*	8/2013	Franco	D13/108
D695,214 S	*	12/2013	Roberts	D13/107
D756,916 S	*	5/2016	Yang	D13/108

D762,570 S	*	8/2016	Precheur	D13/108
D765,073 S	*	8/2016	Niizawa	D14/356
D791,072 S	*	7/2017	Hoehn	D13/107
D791,697 S	*	7/2017	Precheur	D13/107
D803,150 S	*	11/2017	Florez, Jr.	D13/107
D806,023 S	*	12/2017	Xu	D13/108
D826,853 S	*	8/2018	Nauroy	D13/108
D827,567 S	*	9/2018	Nauroy	D13/108
10,074,999 B2	*	9/2018	Watson	H02J 7/0027

* cited by examiner

Primary Examiner — Rosemary K Tarcza

Assistant Examiner — Nathaniel D. Buckner

(57) **CLAIM**

The ornamental design for a charger, as shown and described.

DESCRIPTION

FIG. 1 is a front elevational view of a charger showing my new design;
FIG. 2 is a rear elevational view thereof;
FIG. 3 is a left side elevational view thereof;
FIG. 4 is a right side elevational view thereof;
FIG. 5 is a top plan view thereof;
FIG. 6 is a bottom plan view thereof;
FIG. 7 is a rear perspective view thereof,
FIG. 8 is a front perspective view thereof; and,
FIG. 9 is a front perspective view thereof, shown in an alternate position.

The broken lines in the figures depict portions of the article which form no part of the claimed design.

1 Claim, 9 Drawing Sheets

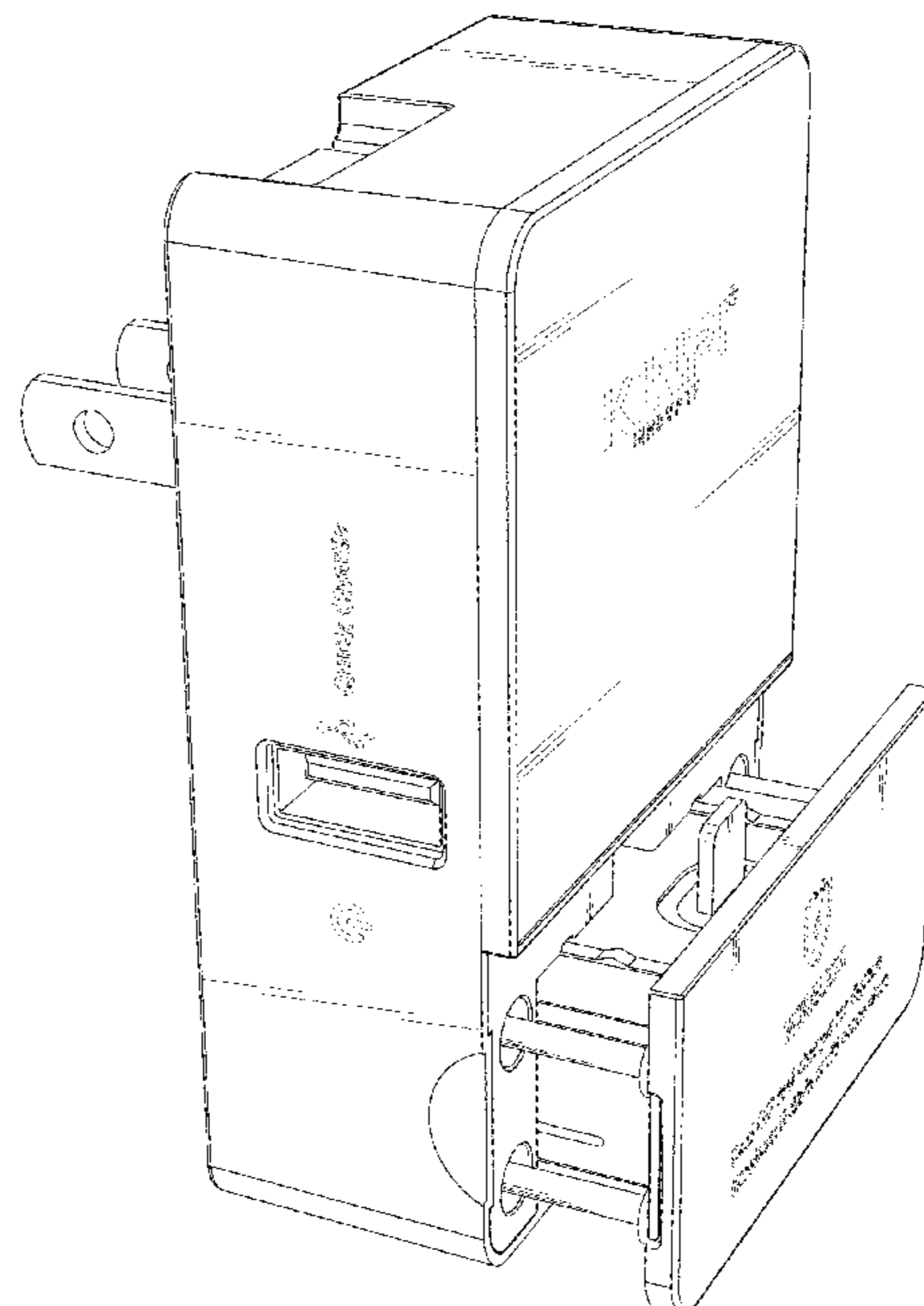
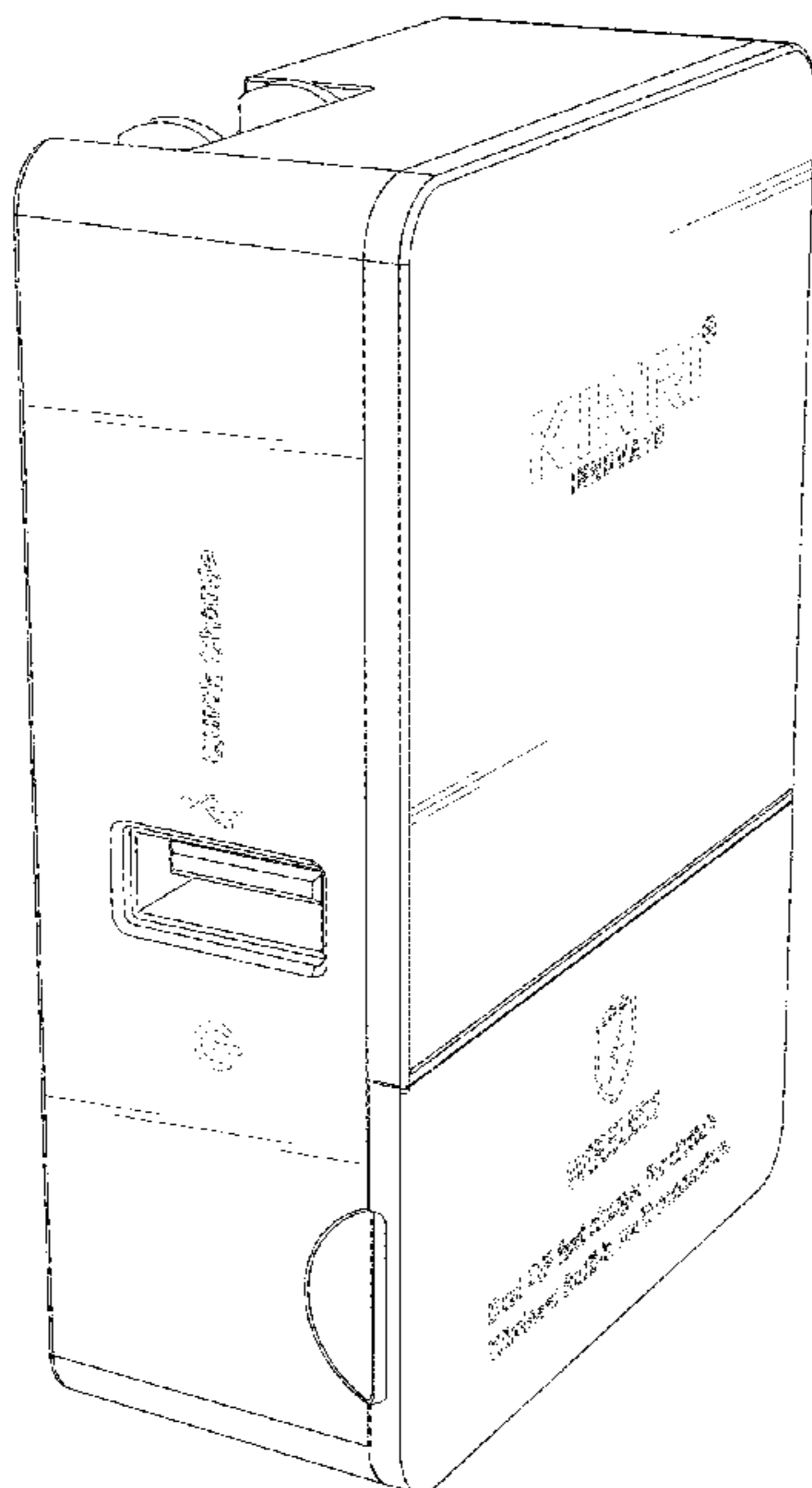




FIG.1

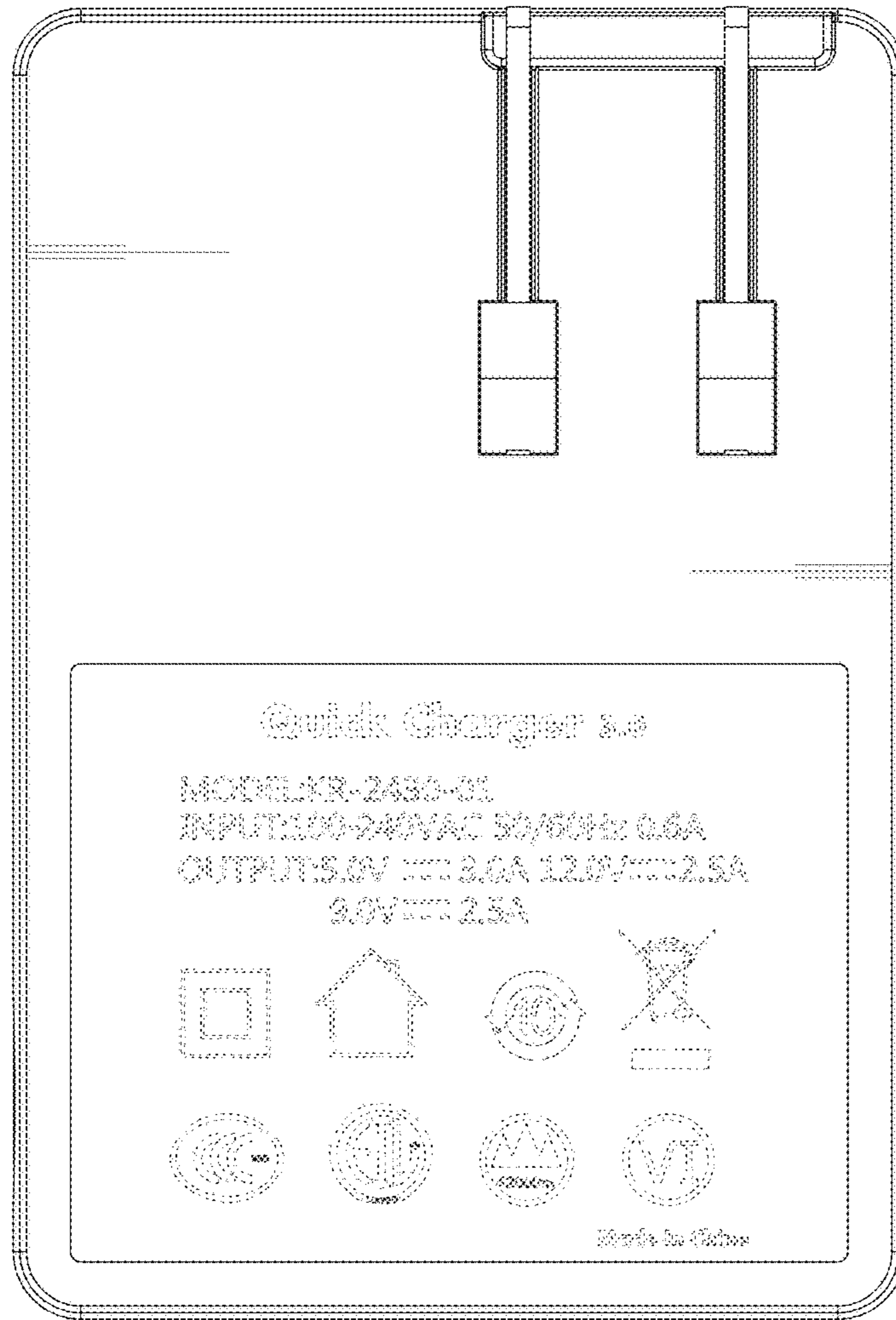


FIG.2

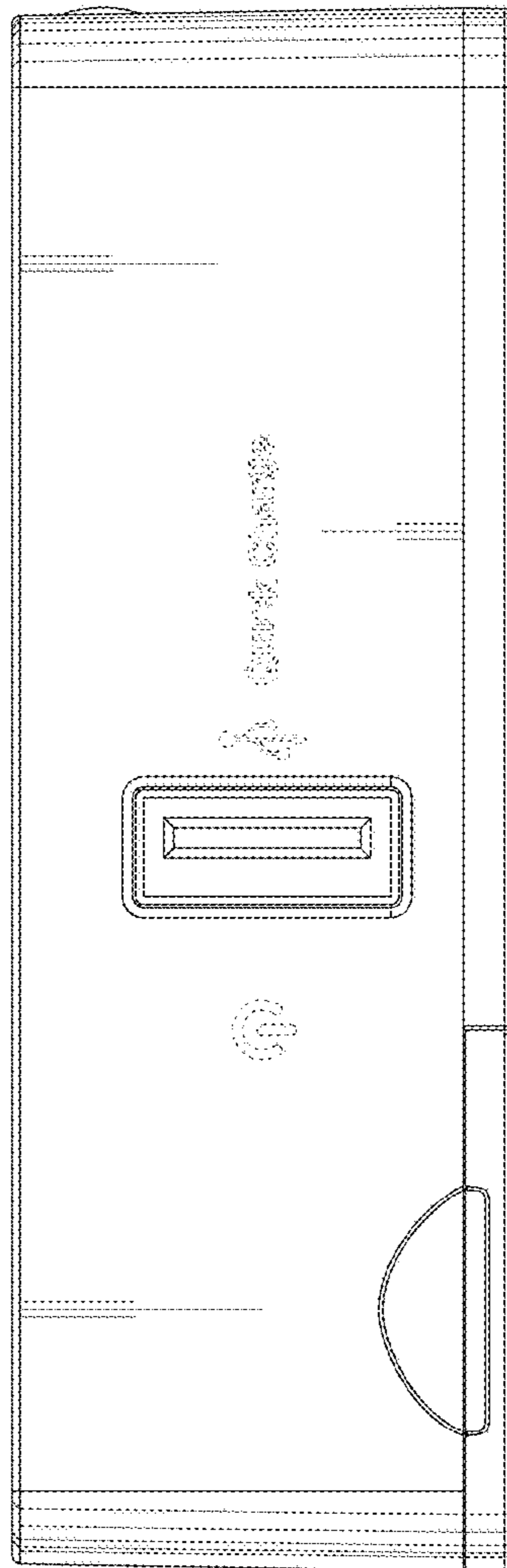


FIG.3

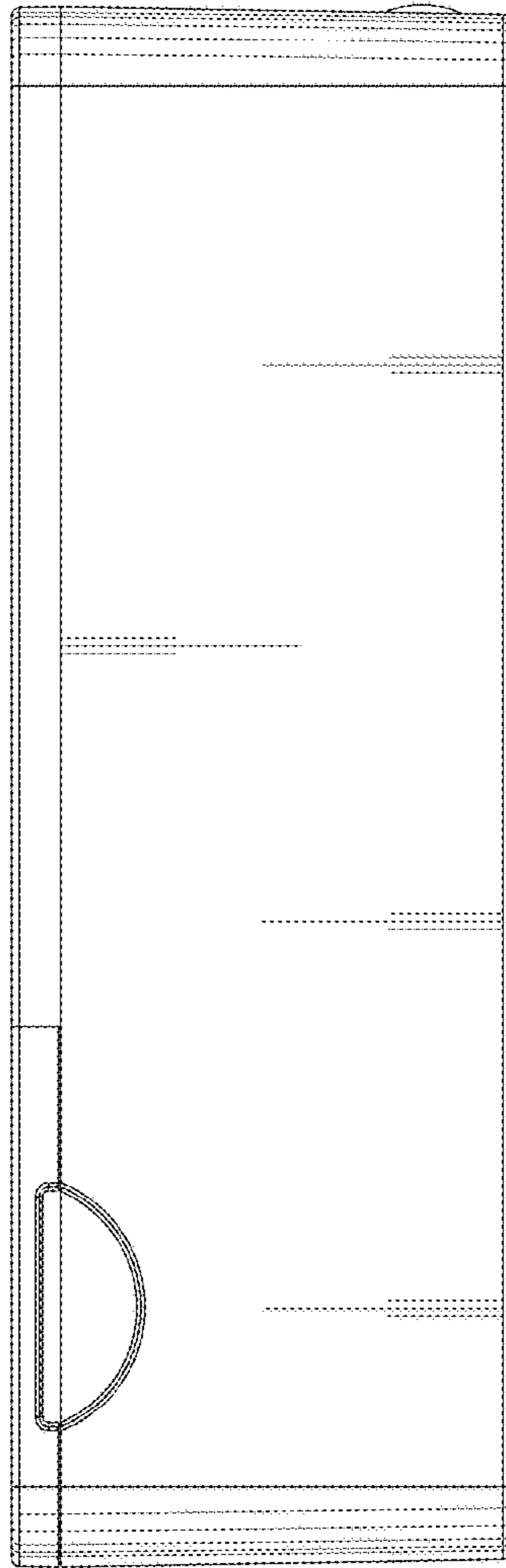


FIG.4

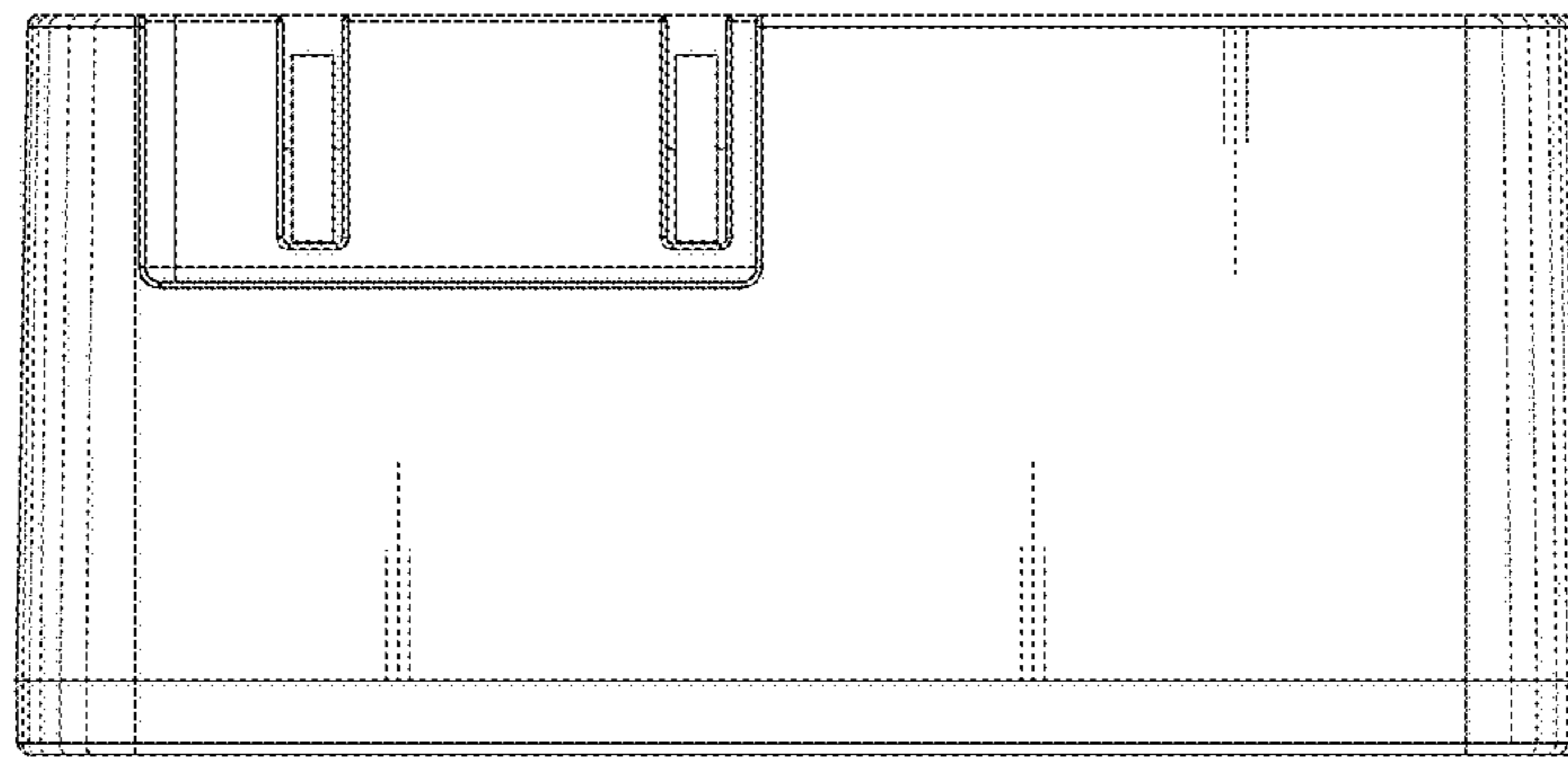


FIG.5

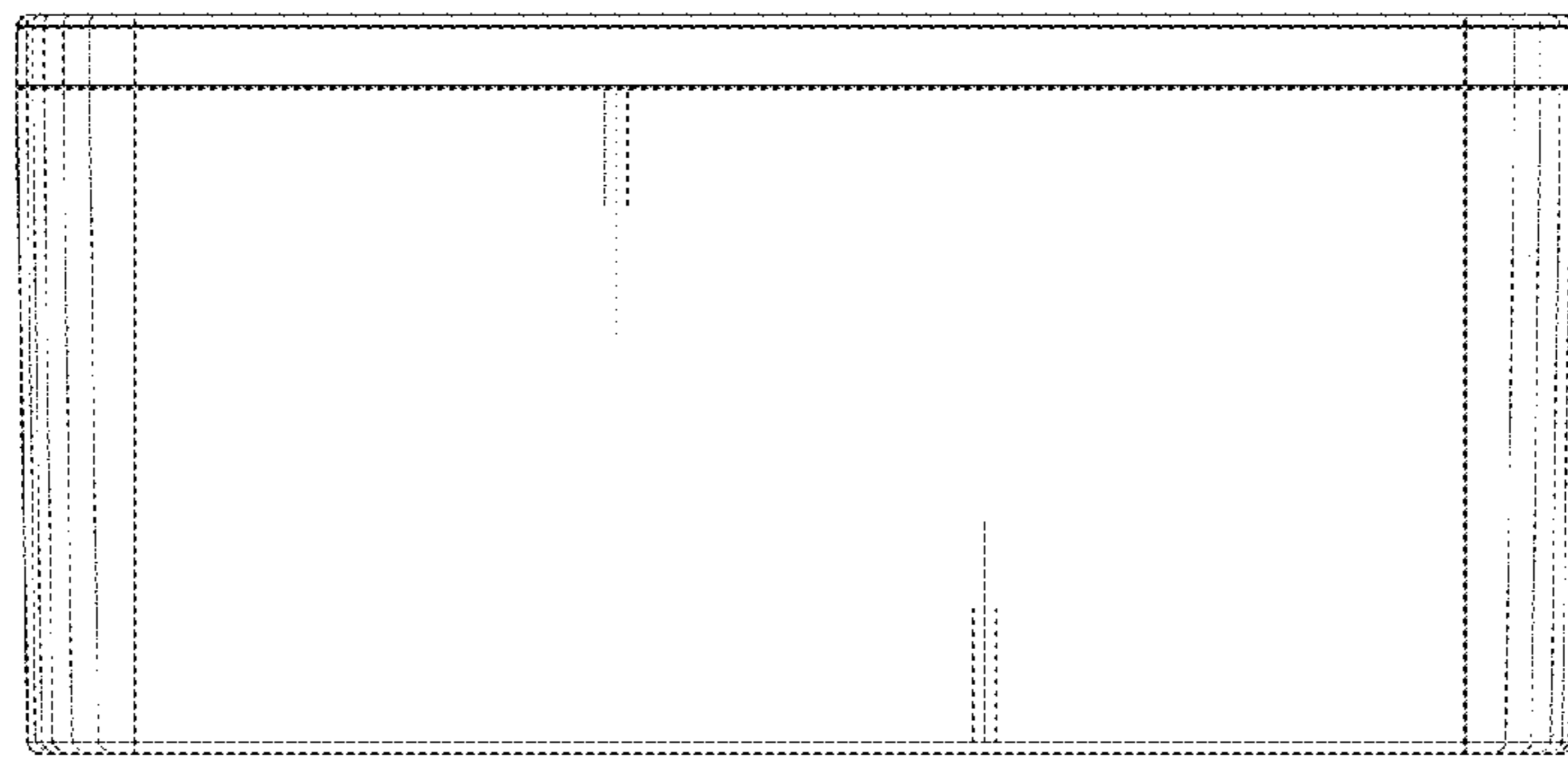


FIG.6

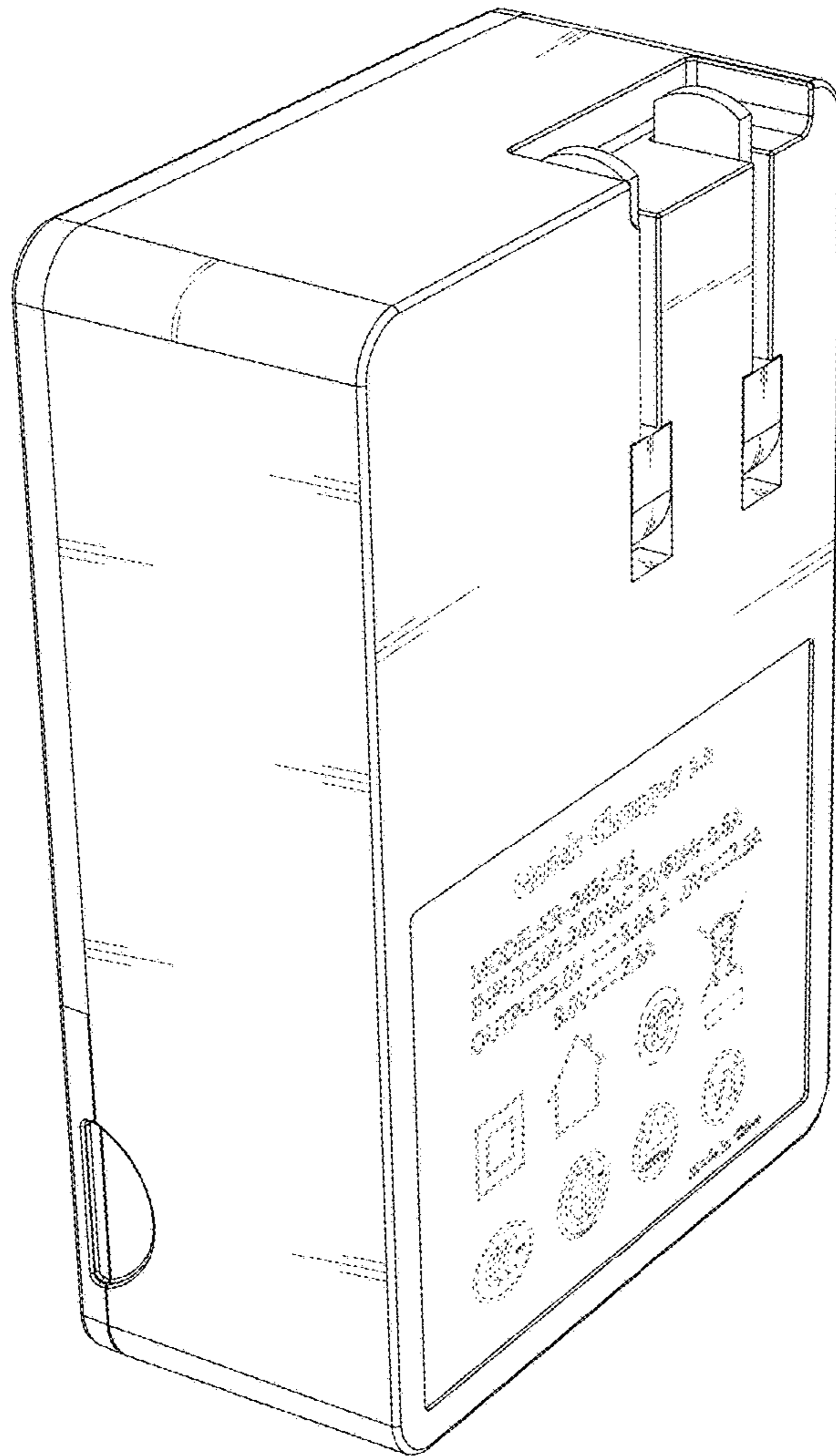


FIG.7

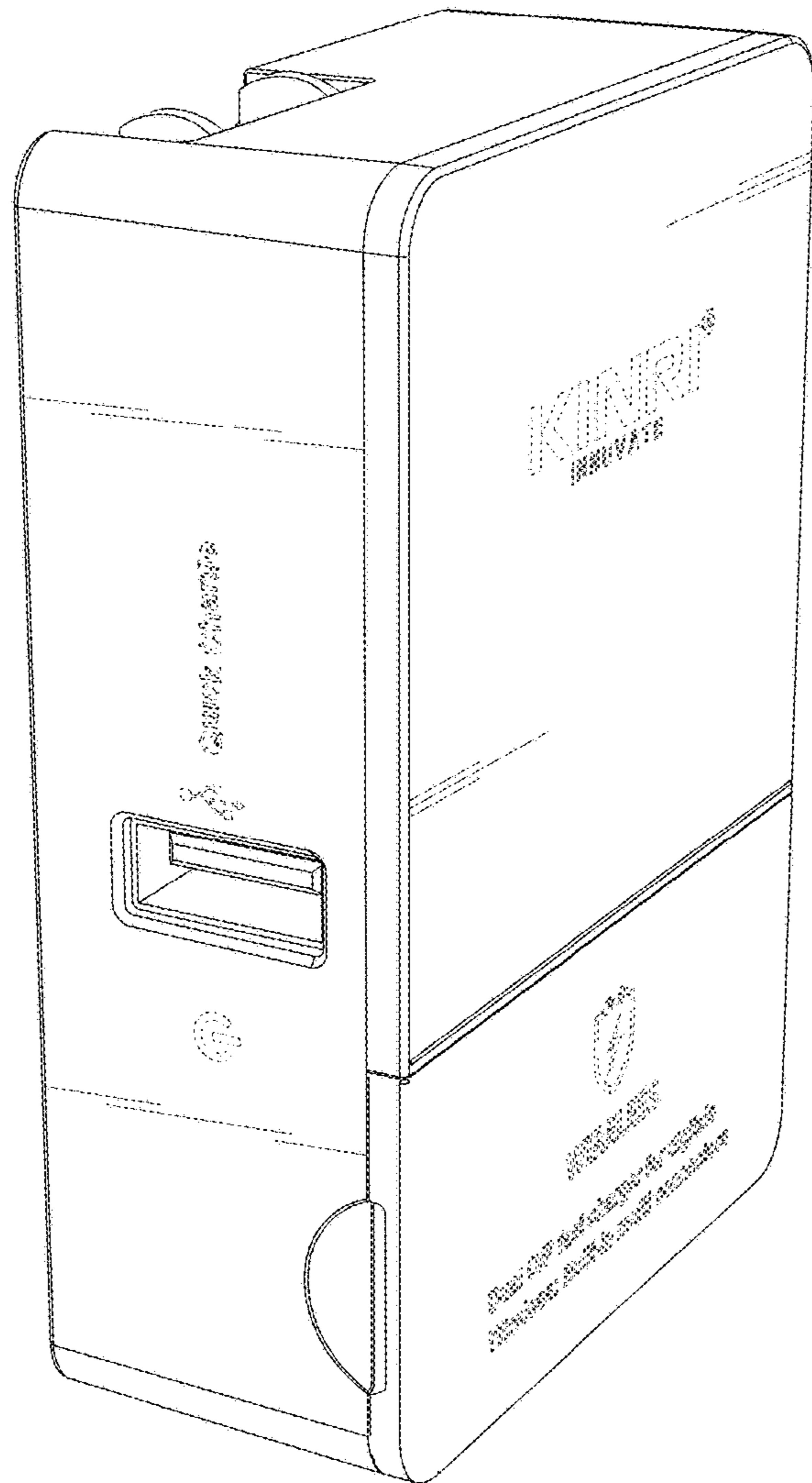


FIG.8

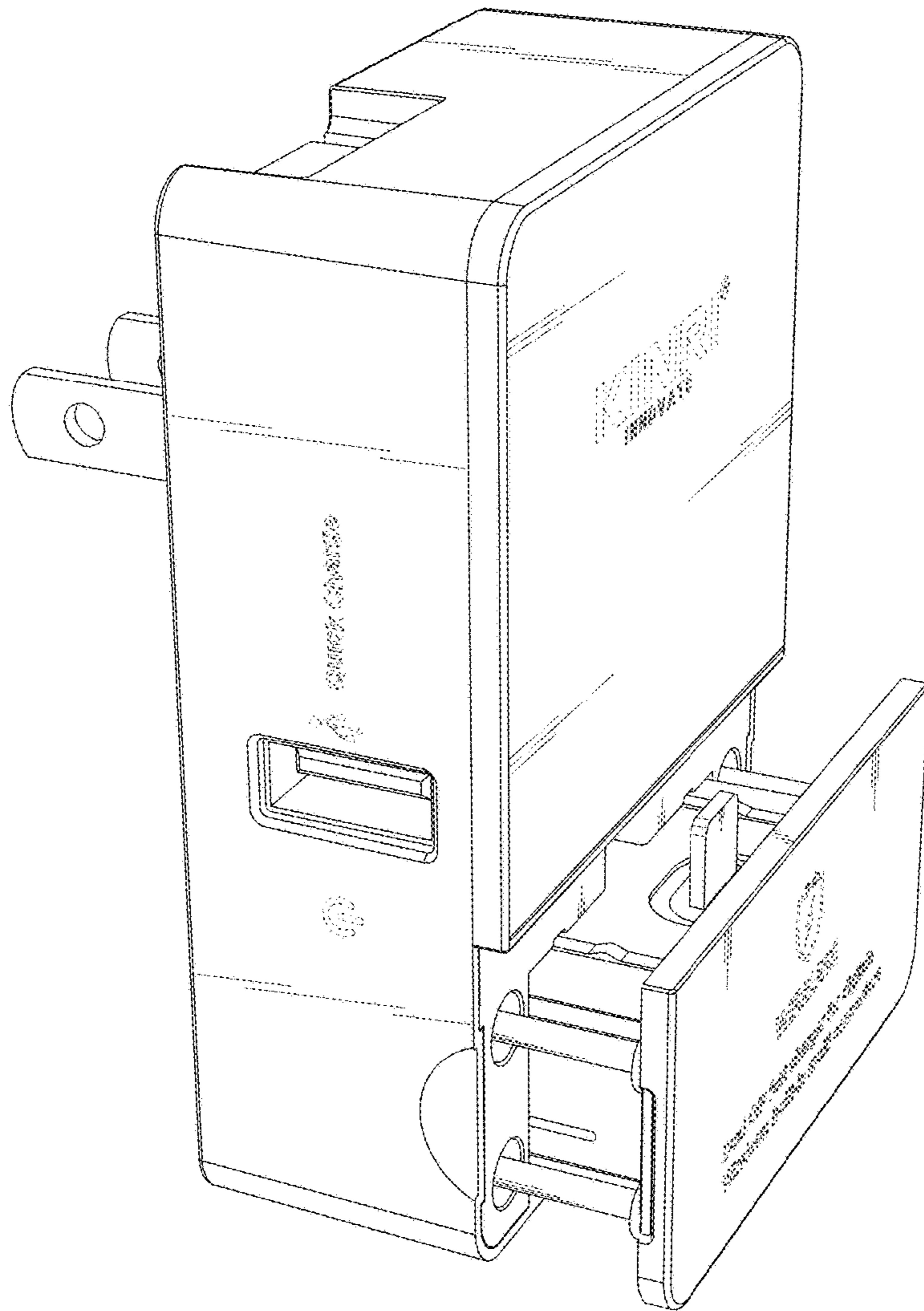


FIG.9