



US00D856922S

(12) **United States Design Patent**
Surbeck

(10) **Patent No.:** **US D856,922 S**

(45) **Date of Patent:** **** Aug. 20, 2019**

(54) **CHARGER FOR ELECTRIC VEHICLES**

(71) Applicant: **Webasto SE**, Stockdorf (DE)

(72) Inventor: **Alfred Eduard Surbeck**, Uster (CH)

(73) Assignee: **WEBASTO SE**, Stockdorf (DE)

(**) Term: **15 Years**

(21) Appl. No.: **29/601,418**

(22) Filed: **Apr. 21, 2017**

(30) **Foreign Application Priority Data**

Apr. 19, 2017 (EM) 003862333-0002

(51) **LOC (12) Cl.** **13-02**

(52) **U.S. Cl.**
USPC **D13/107**

(58) **Field of Classification Search**
USPC D13/107, 108, 109, 110, 118, 119, 184,
D13/103; D14/251, 253, 432, 434, 103,
D14/224, 209.01, 216, 217

CPC Y02E 60/12; Y02T 90/14; Y02T 90/122;
Y02T 90/128; Y02T 90/163; H02J 7/025;
H02J 7/0042; H02J 7/0044; H02J 7/0045;
H02J 7/0003; H02J 2001/008; H02J 3/32;
H02J 3/008; H02J 7/0027; H02J 7/0013;
H02J 7/0054; H02J 7/00; H01F 38/14;
H01R 13/6675; H01M 2/1022; H01M
2/1055; H01M 10/44; H01M 10/46;
H01M 10/425; B60L 11/182; B60L
11/1809; B60L 11/1861; B60R 16/03
See application file for complete search history.

(56) **References Cited**

U.S. PATENT DOCUMENTS

D654,867 S * 2/2012 Huppe D13/110
D656,896 S * 4/2012 Fung D13/110

D662,879 S * 7/2012 Steinbuchel, IV D13/107
D711,313 S * 8/2014 Chin-Ho Kim D13/107
D721,035 S * 1/2015 Dasbach D13/110
D730,822 S * 6/2015 Chin-Ho Kim D13/107
D739,973 S * 9/2015 Chao D13/108
D795,802 S * 8/2017 Inagaki D13/107
D799,465 S * 10/2017 Sukphist D14/253
2016/0308386 A1 * 10/2016 Tang H02J 7/027

OTHER PUBLICATIONS

Electrive.net: IAA: Webasto zeigt Ladelösungen and Batteriesystem. Published Sep. 19, 2017. Retrieved from the internet at <<https://www.electrive.net/2017/09/19/iaa-webasto-zeigt-ladeloesungen-und-batteriesystem/>>, Jan. 29, 2018. 1 page.*

* cited by examiner

Primary Examiner — Rosemary K Tarcza

Assistant Examiner — Christy M Nemeth

(74) *Attorney, Agent, or Firm* — Fitch, Even, Tabin & Flannery, LLP

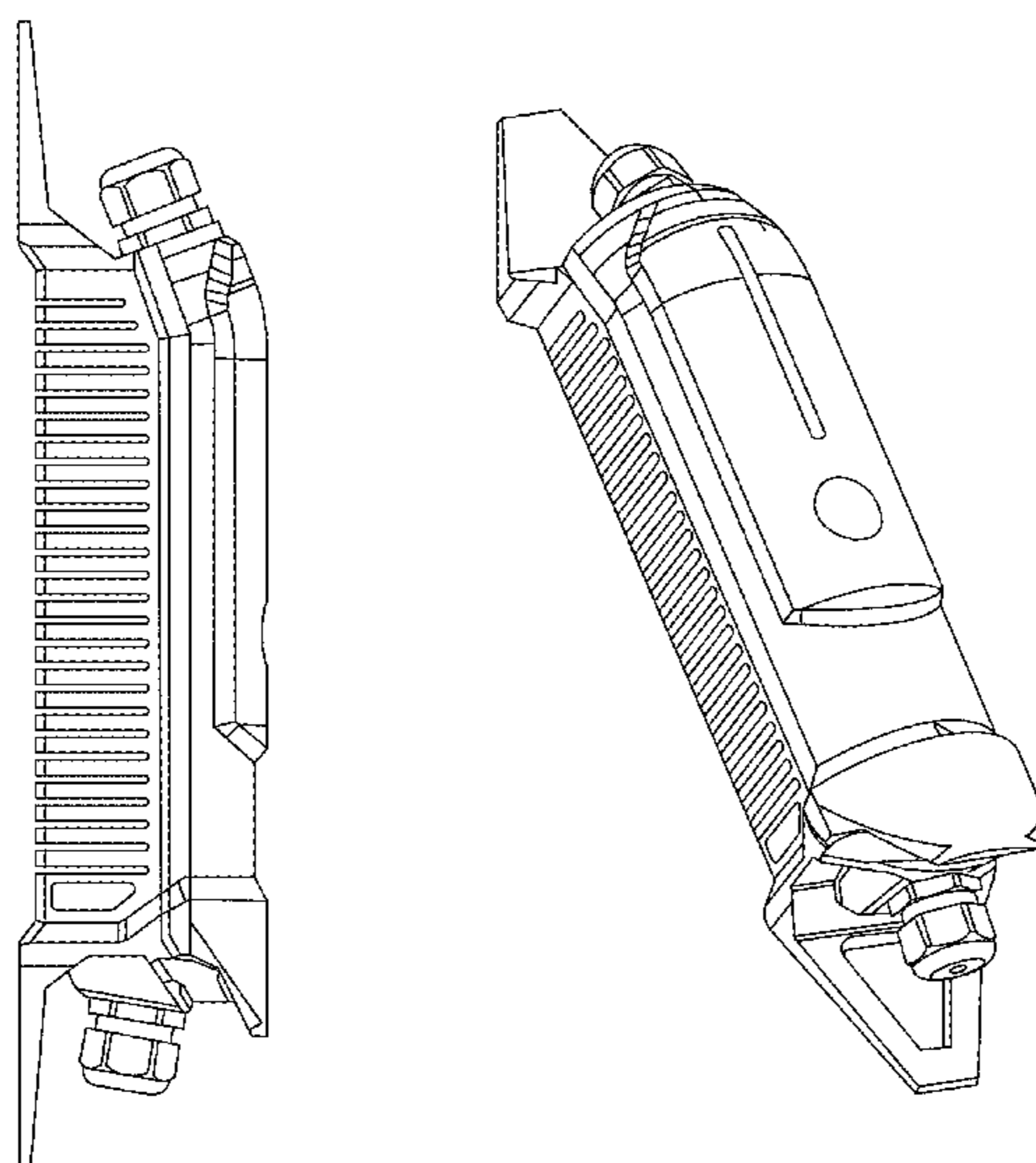
(57) **CLAIM**

The ornamental design for a charger for electric vehicles, substantially as shown and described.

DESCRIPTION

FIG. 1 is a top view of a charger for electric vehicles;
FIG. 2 is a bottom view thereof;
FIG. 3 is a right side view thereof;
FIG. 4 is a front view thereof;
FIG. 5 is a left side view thereof;
FIG. 6 is a rear view thereof; and,
FIG. 7 is a front and right perspective view thereof.

1 Claim, 7 Drawing Sheets



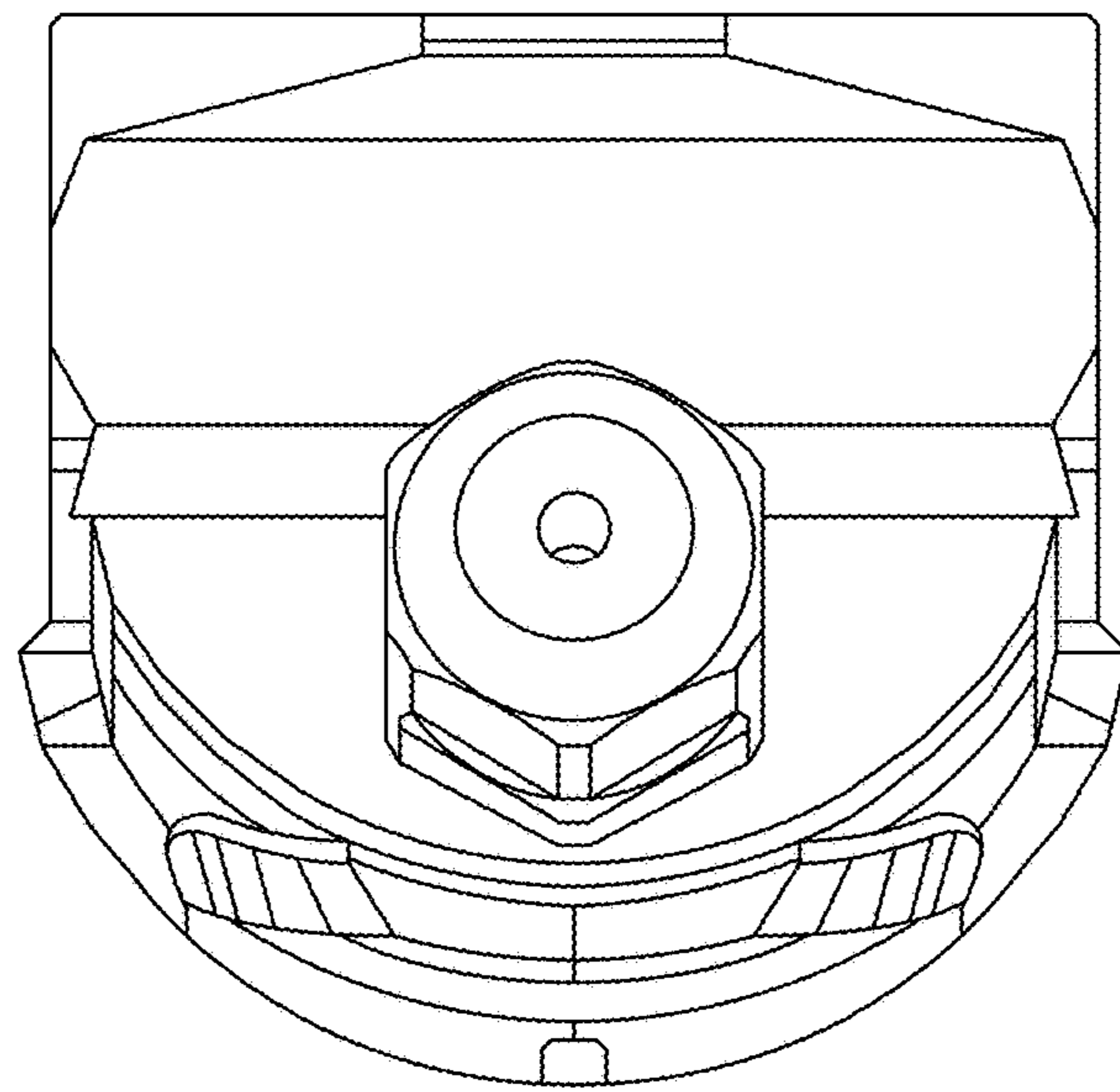


FIG. 1

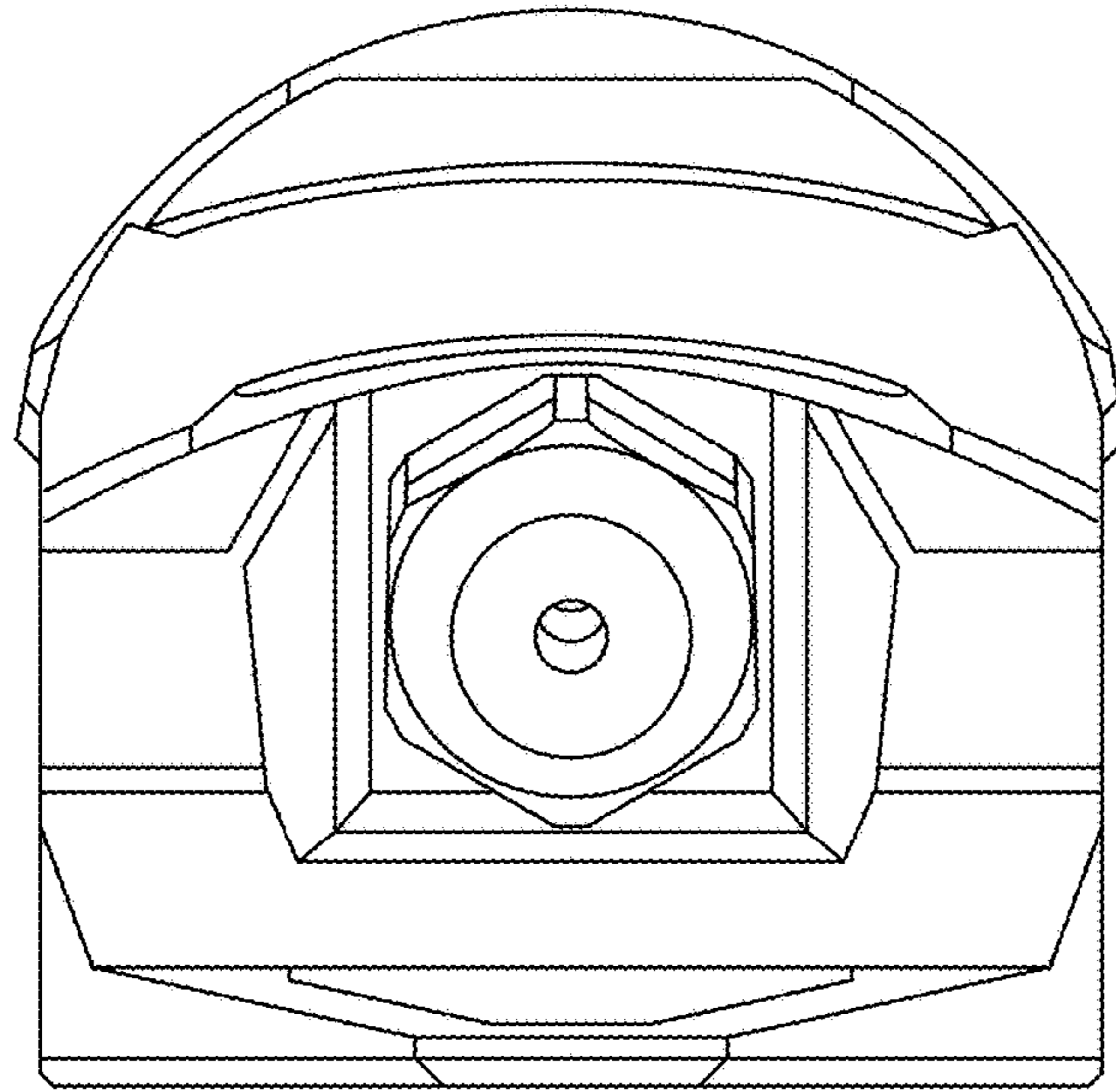


FIG. 2

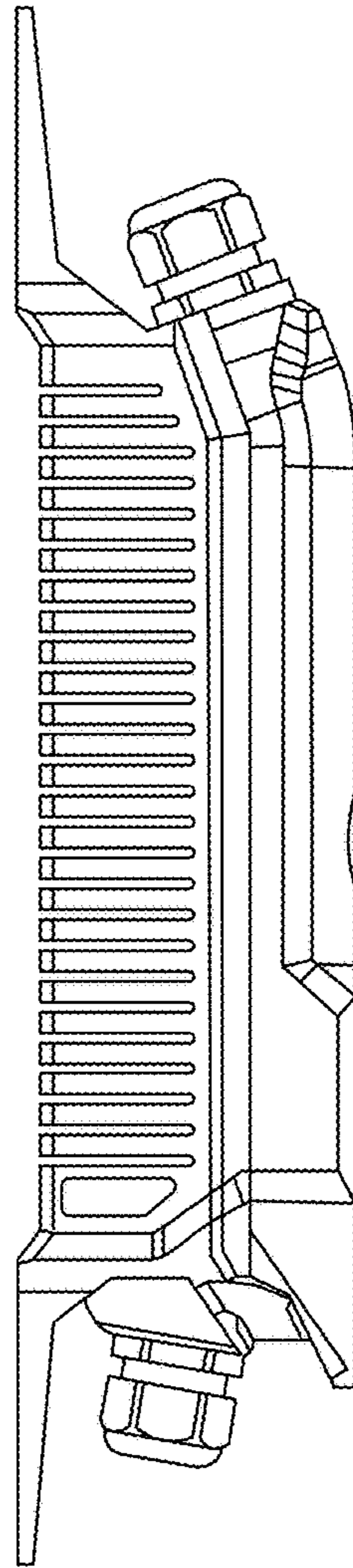


FIG. 3

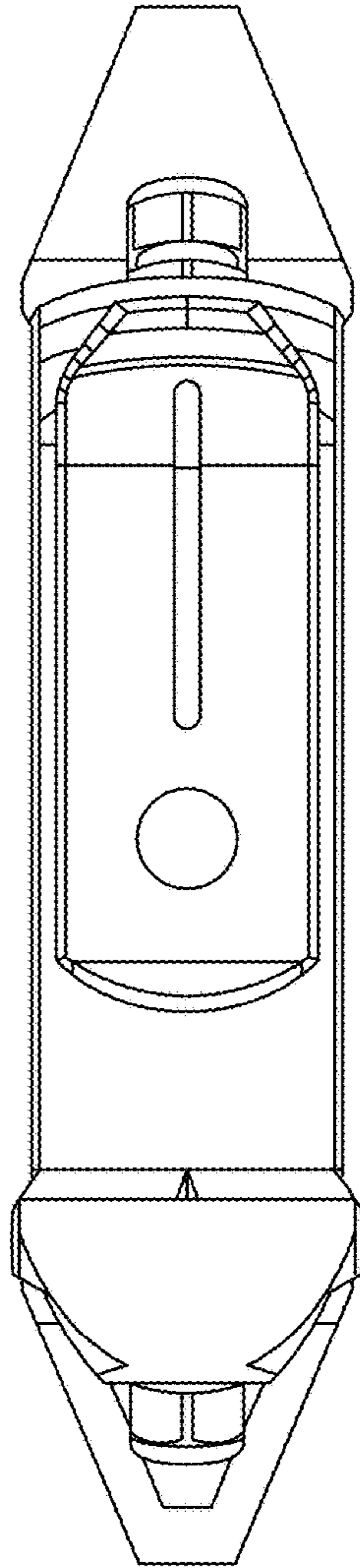


FIG. 4

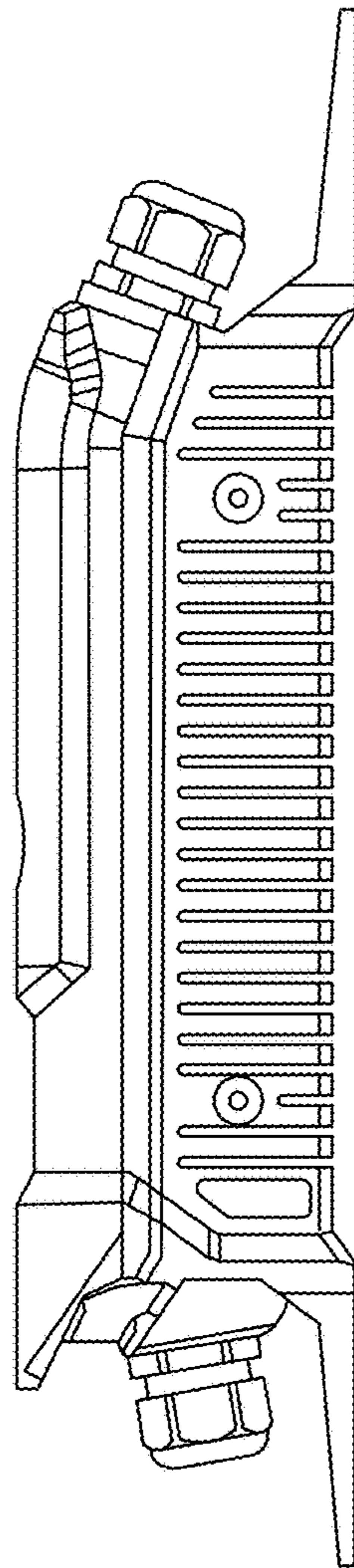


FIG. 5

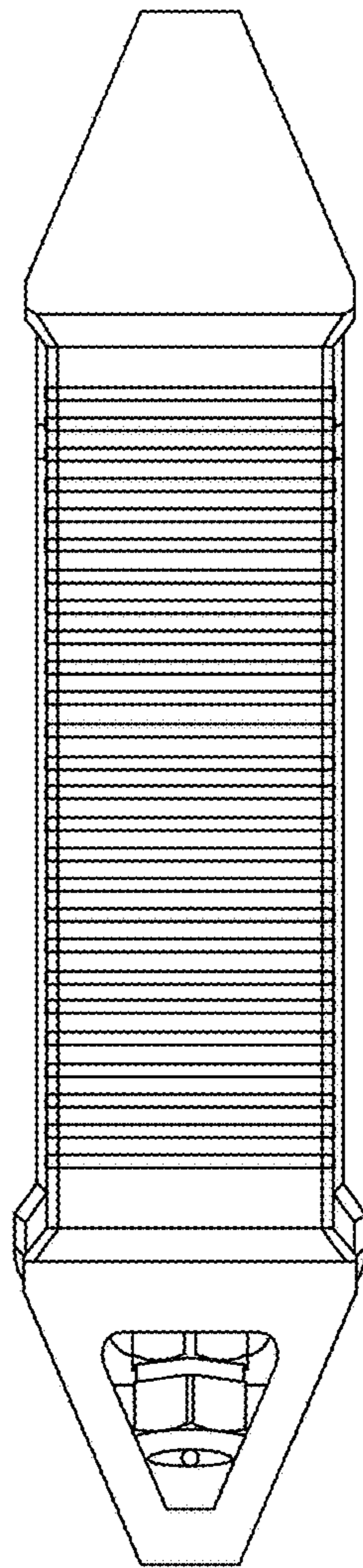


FIG. 6

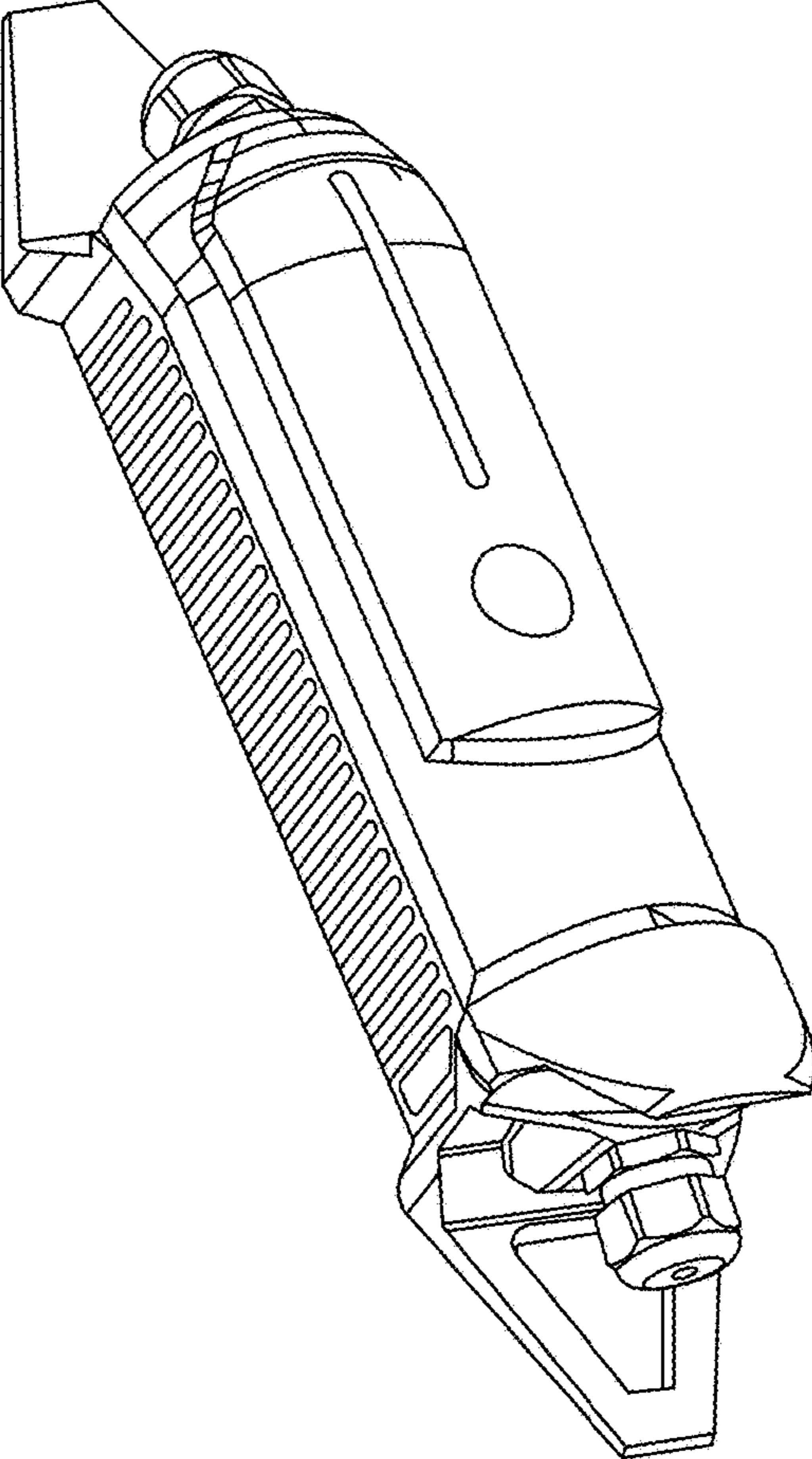


FIG. 7