



US00D856921S

(12) **United States Design Patent**
Lee et al.

(10) **Patent No.:** **US D856,921 S**
(45) **Date of Patent:** **** Aug. 20, 2019**

- (54) **TOP COVER OF BATTERY BOX**
- (71) Applicant: **MOBILETRON ELECTRONICS CO., LTD.**, Taichung (TW)
- (72) Inventors: **Hsiang-Lin Lee**, Taichung (TW);
Wen-Yao Chi, Taichung (TW)
- (73) Assignee: **MOBILETRON ELECTRONICS CO., LTD.**, Taichung (TW)
- (**) Term: **15 Years**
- (21) Appl. No.: **29/578,924**
- (22) Filed: **Sep. 26, 2016**
- (51) **LOC (12) Cl.** **13-02**
- (52) **U.S. Cl.**
USPC **D13/103**
- (58) **Field of Classification Search**
USPC D13/103–106, 110, 119–121, 184;
429/96–100, 163, 176
CPC Y02E 10/563; Y02E 10/56; Y02E 10/566;
Y02E 10/58; Y02E 10/541; Y02E 70/30;
Y02E 60/76; Y02E 60/126; Y02E 60/124;
Y02E 60/122; Y02E 40/72; H01M
2/0222; H01M 2/1044; H01M 2/30;
H01M 2/34; H01M 10/00; H01M
10/0525; H01M 10/06; H01M 10/345;
H01M 10/46; H01M 10/465; H01M 8/00
See application file for complete search history.

- D694,176 S * 11/2013 Buetow D13/103
- D704,134 S * 5/2014 Cullen D13/103
- D709,444 S * 7/2014 Ibuki D13/103
- D716,725 S * 11/2014 Kaminsky D13/103
- D720,696 S * 1/2015 Huang D13/119
- D776,614 S * 1/2017 Sohnholz D13/110
- D783,523 S * 4/2017 Jang D13/103
- D810,677 S * 2/2018 Chen D13/103
- D818,947 S * 5/2018 Laurino D13/103

* cited by examiner

Primary Examiner — Derrick E Holland

Assistant Examiner — Jennifer O King

(74) *Attorney, Agent, or Firm* — Lynette Wylie; Apex
Juris, PLLC.

(57) **CLAIM**

The ornamental design for a top cover of battery box, as shown and described.

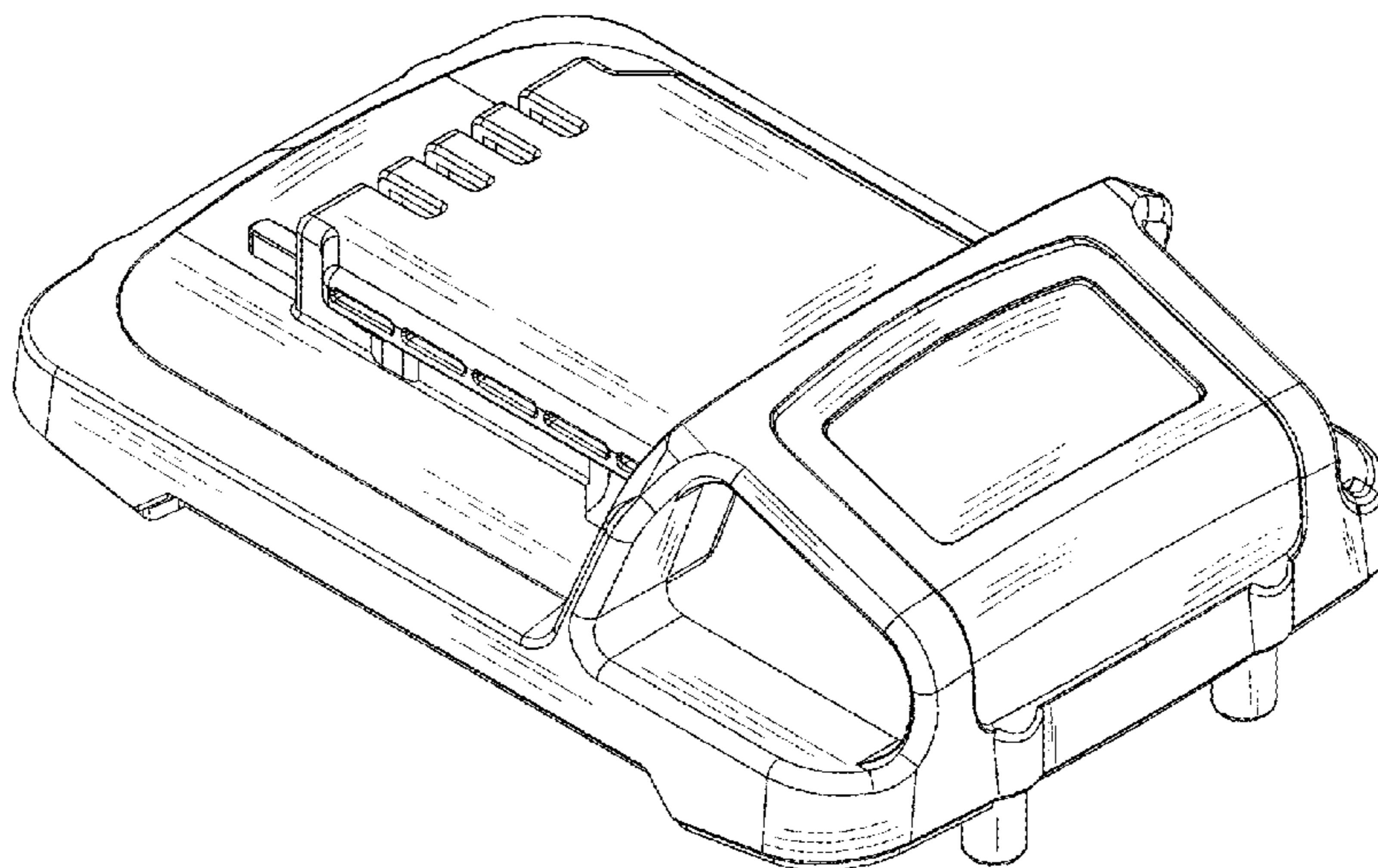
DESCRIPTION

FIG. 1 is a perspective view of a top cover of battery box;
 FIG. 2 is a front view thereof;
 FIG. 3 is a rear view thereof;
 FIG. 4 is a top view thereof;
 FIG. 5 is a bottom view thereof;
 FIG. 6 is a left side view thereof;
 FIG. 7 is a right side view thereof;
 FIG. 8 is a perspective view thereof, shown in environmental use; and,
 FIG. 9 is a perspective view thereof, shown in another environmental use.
 In the drawings, the broken lines illustrate portions of the article that form no part of the claimed design.

1 Claim, 8 Drawing Sheets

(56) **References Cited**
U.S. PATENT DOCUMENTS

- D435,827 S * 1/2001 Rausch D13/103
- D686,569 S * 7/2013 Lau D13/103



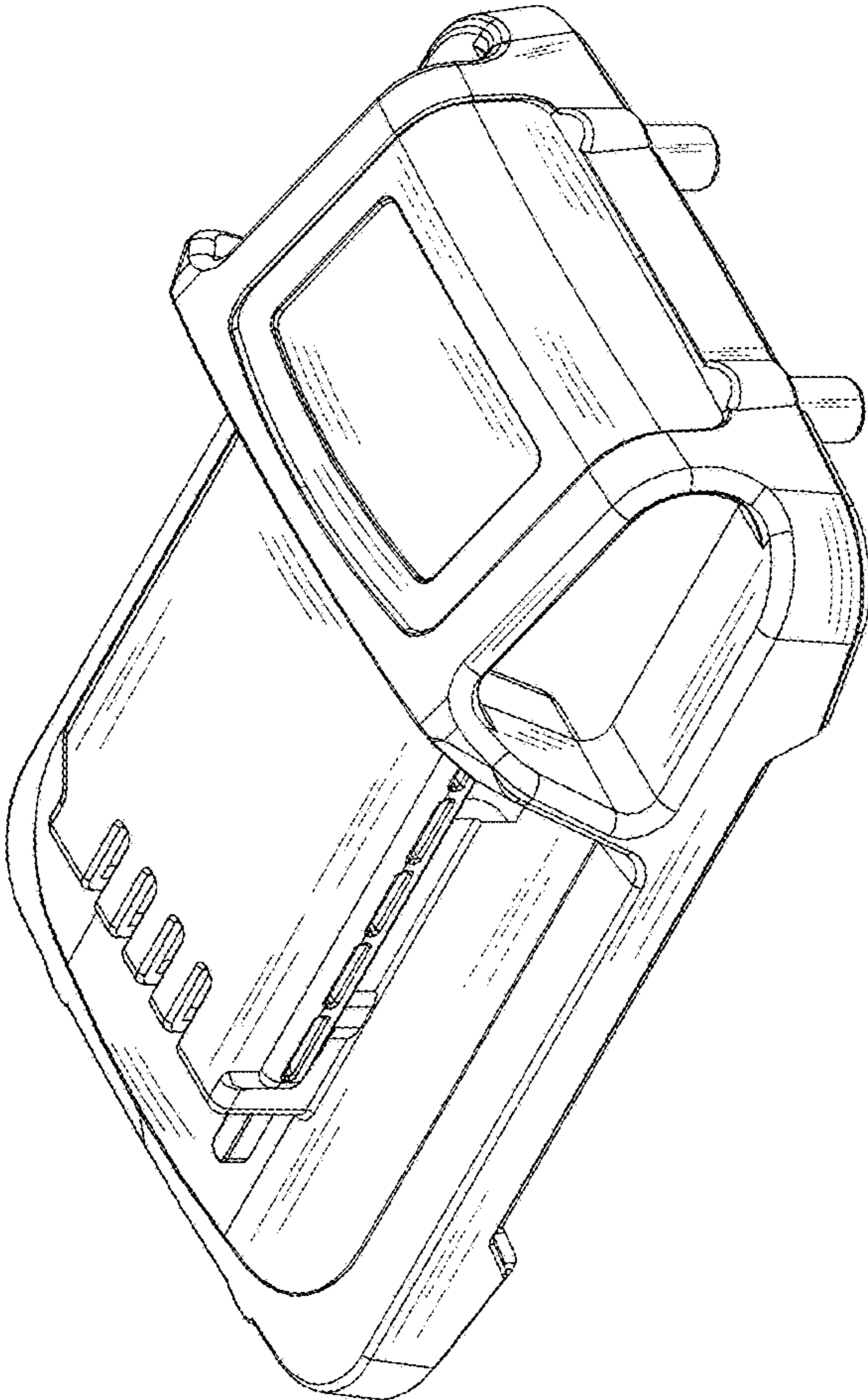


FIG. 1

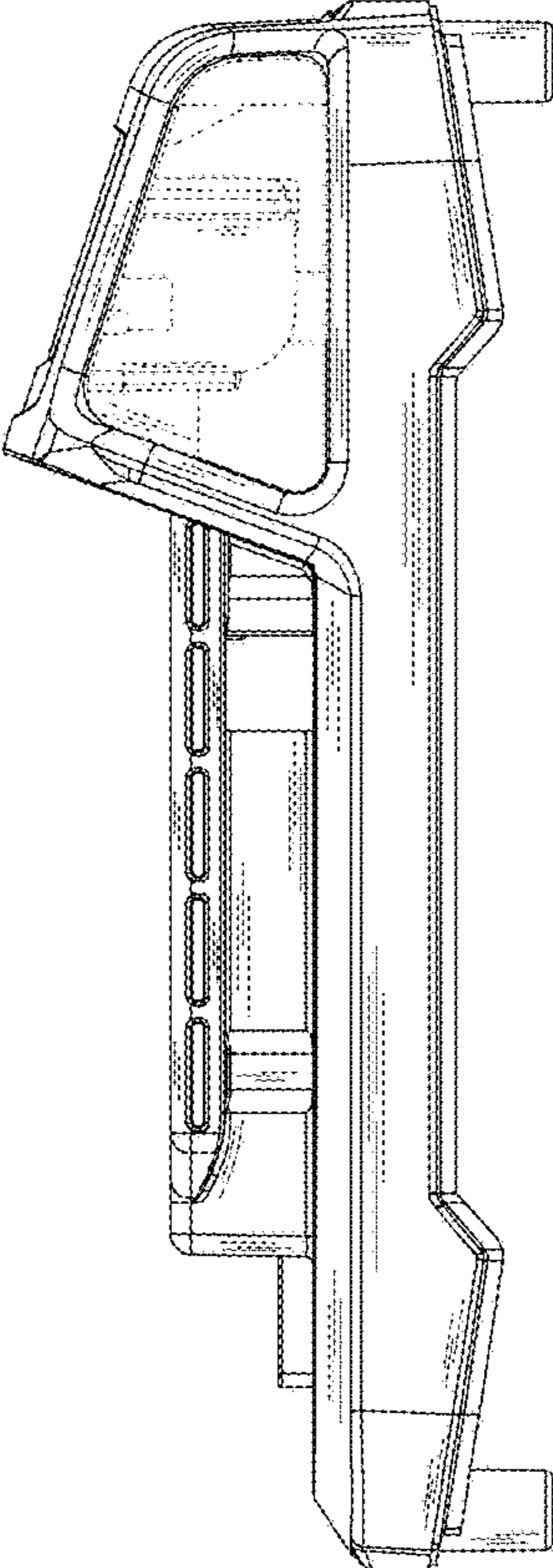


FIG. 2

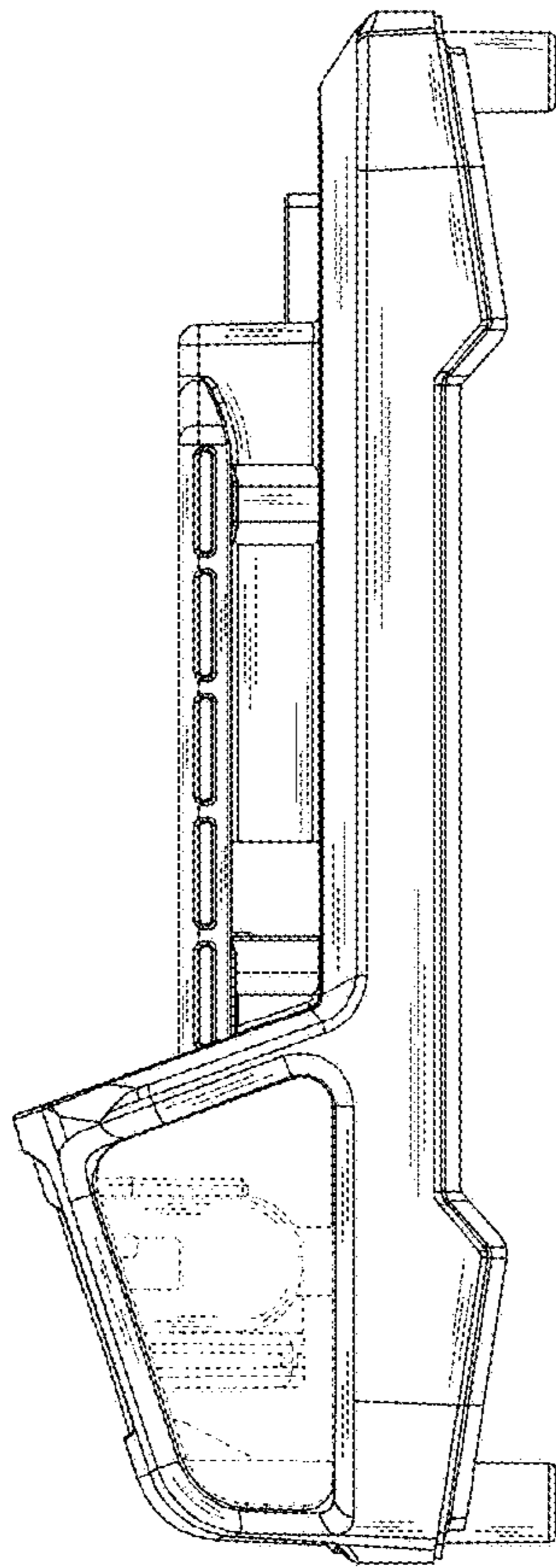


FIG. 3

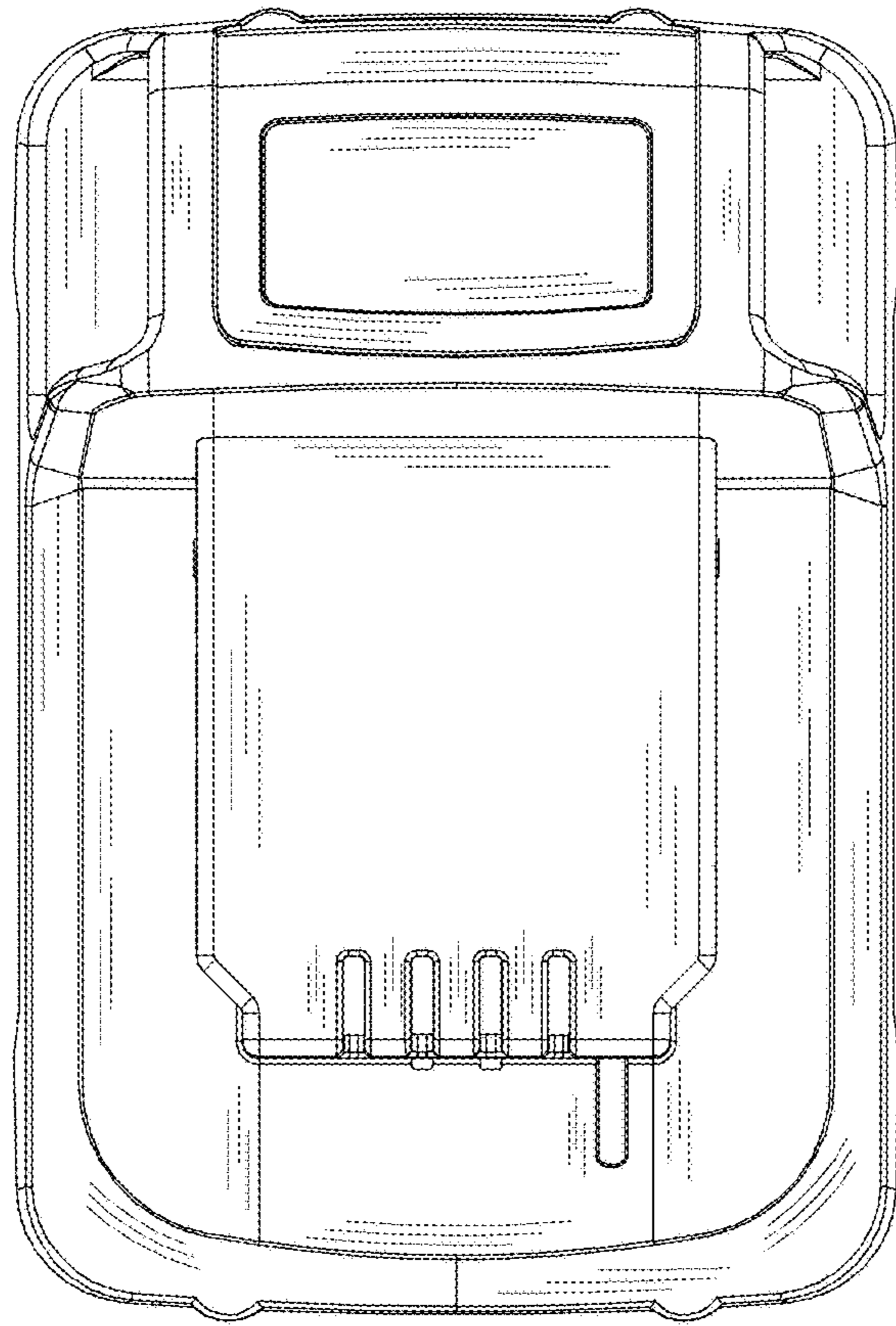


FIG. 4

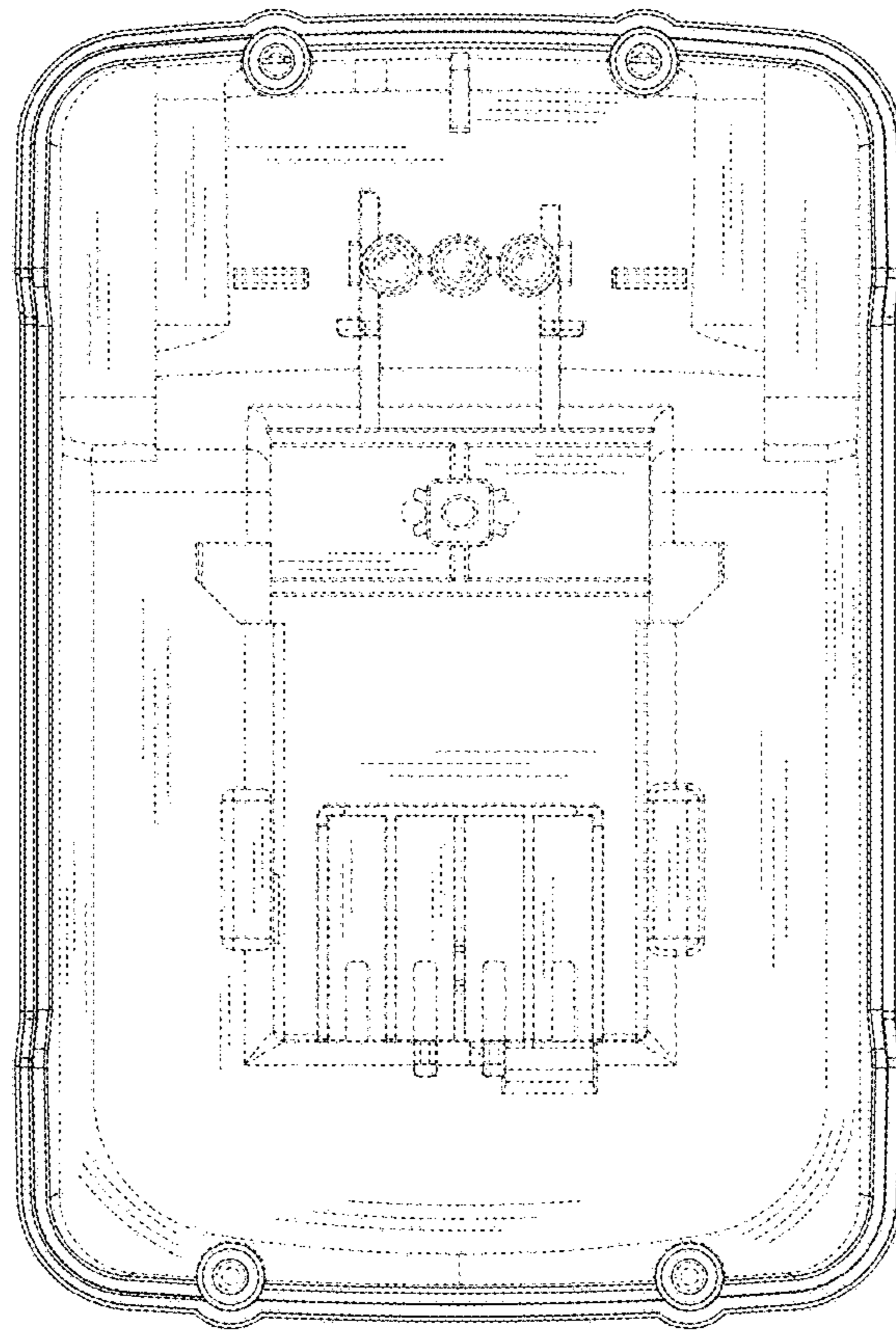


FIG. 5

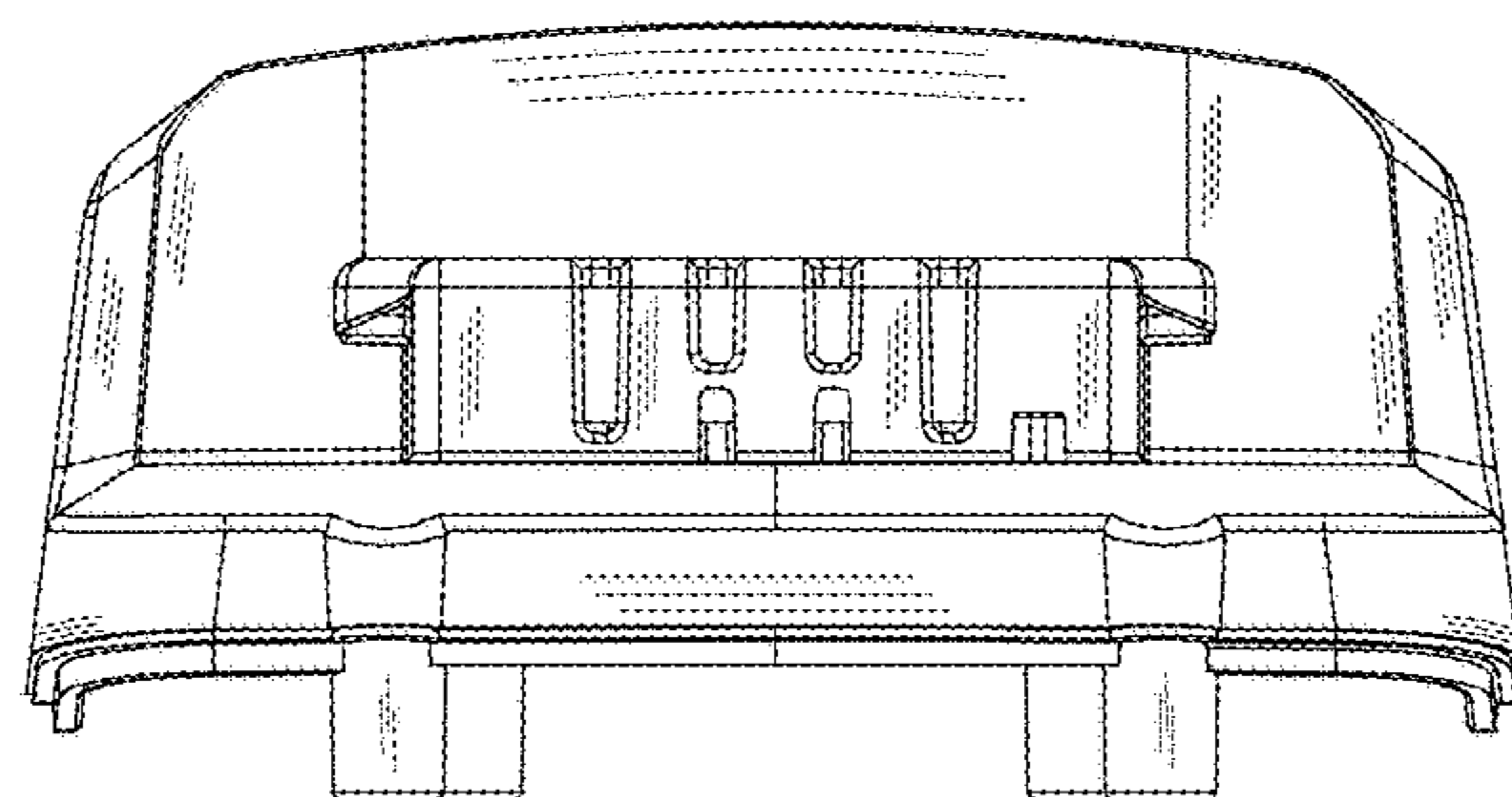


FIG. 6

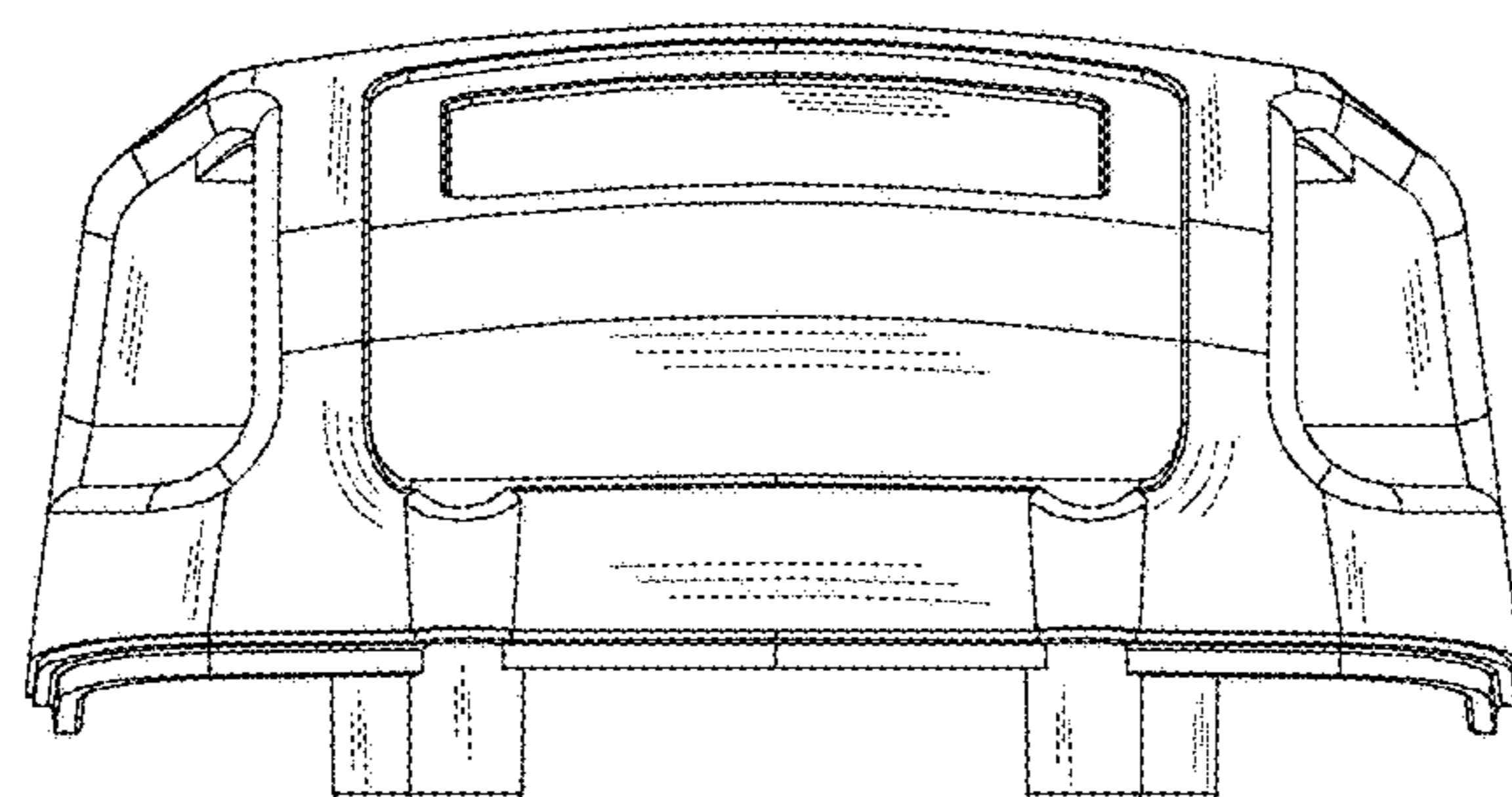


FIG. 7

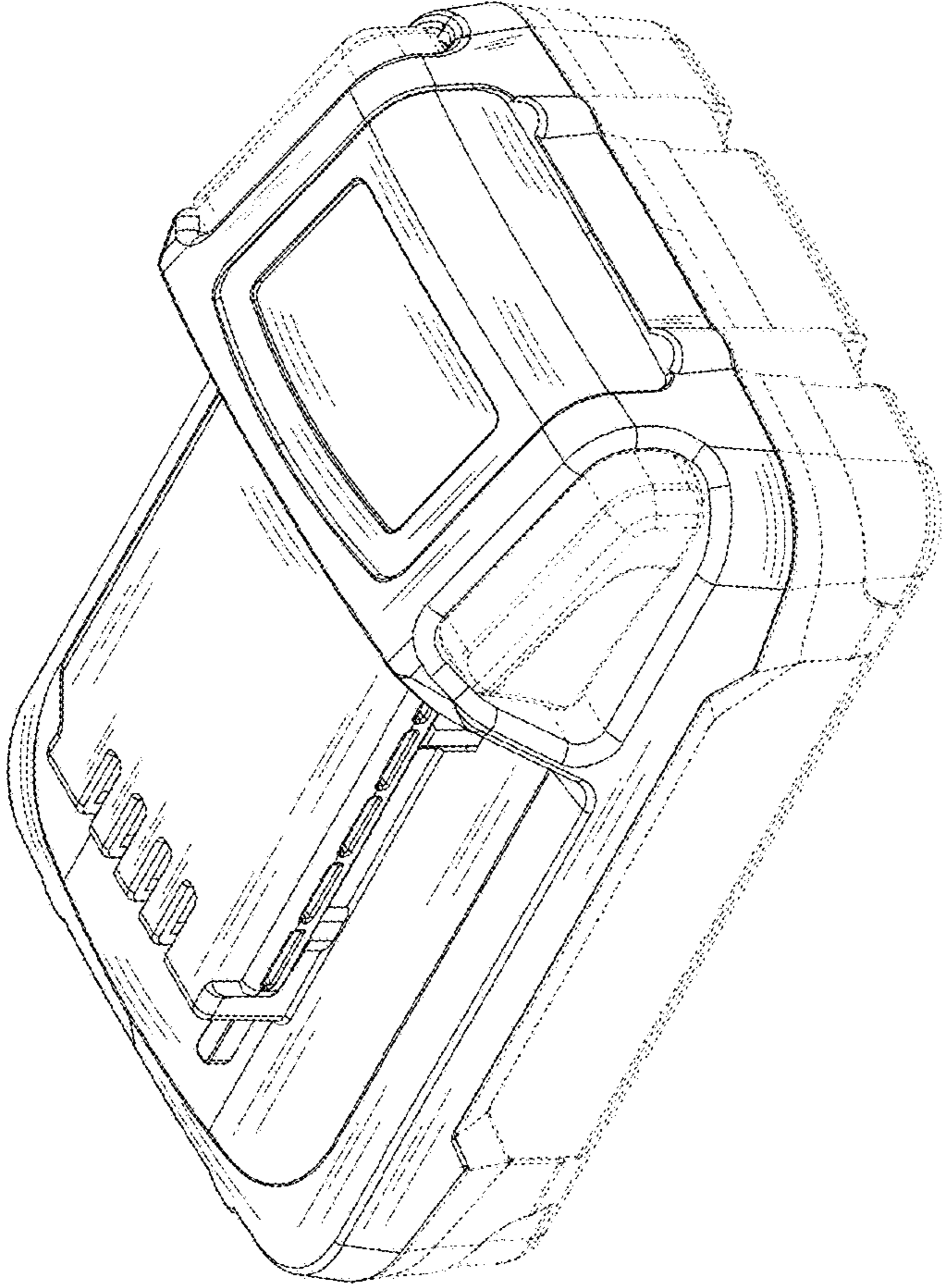


FIG. 8

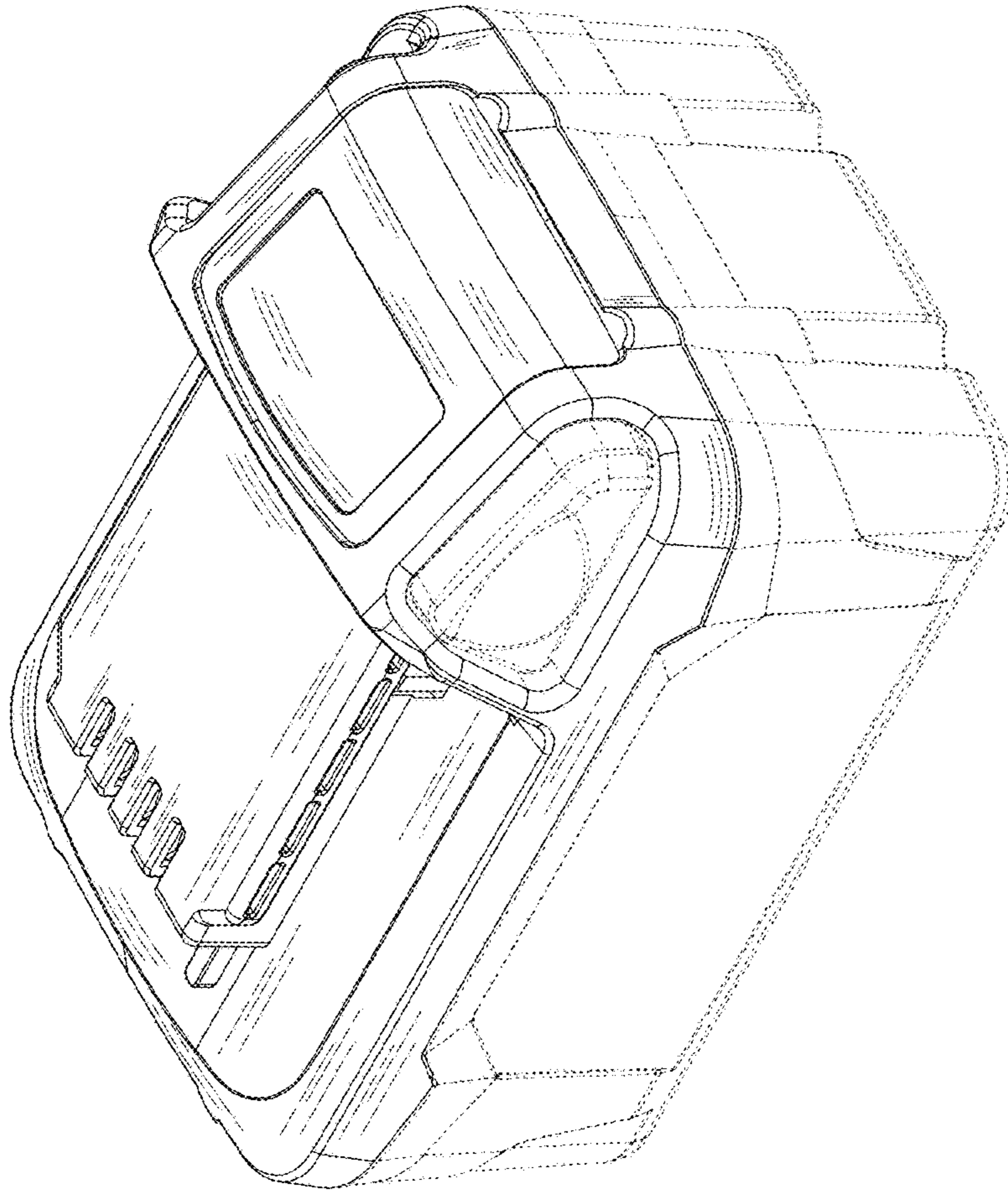


FIG. 9