



US00D856920S

(12) **United States Design Patent**
Wang et al.

(10) **Patent No.:** **US D856,920 S**

(45) **Date of Patent:** **** Aug. 20, 2019**

(54) **PHOTOVOLTAIC POWER ASSEMBLY**

(71) Applicant: **BEIJING APOLLO DINGRONG SOLAR TECHNOLOGY CO., LTD.**, Beijing (CN)

(72) Inventors: **Jing Wang**, Beijing (CN); **Lei Sun**, Beijing (CN)

(73) Assignee: **BEIJING APOLLO DINGRONG SOLAR TECHNOLOGY CO., LTD.**, Beijing (CN)

(**) Term: **15 Years**

(21) Appl. No.: **29/637,819**

(22) Filed: **Feb. 22, 2018**

(30) **Foreign Application Priority Data**

Aug. 22, 2017 (CN) 2017 3 0387264

(51) **LOC (12) Cl.** **13-02**

(52) **U.S. Cl.**
USPC **D13/102**

(58) **Field of Classification Search**
USPC D13/101, 102, 103, 104, 105, 106, 184, D13/199
CPC H01L 31/00; H01L 31/02; H01L 31/042; H01L 31/045; H01L 31/046; H01L 31/048; H01L 31/05; H01L 31/052; H01L 31/0525; H02S 30/00; H02S 20/10; H02S 20/23; H02S 20/30; H02S 40/34; H02S 40/44; F24J 2/52; F03G 6/00

See application file for complete search history.

(56) **References Cited**

U.S. PATENT DOCUMENTS

D632,642 S *	2/2011	Chaney	D13/102
D647,047 S *	10/2011	Kamil	D13/102
D749,501 S *	2/2016	Endoh	D13/102
D770,971 S *	11/2016	Anderson	D13/102
D812,553 S *	3/2018	Anderson	D13/102
D814,402 S *	4/2018	Cheung	D13/102
D827,564 S *	9/2018	Zhang	D13/102

* cited by examiner

Primary Examiner — Daniel D Bui

(74) *Attorney, Agent, or Firm* — Ladas & Parry LLP

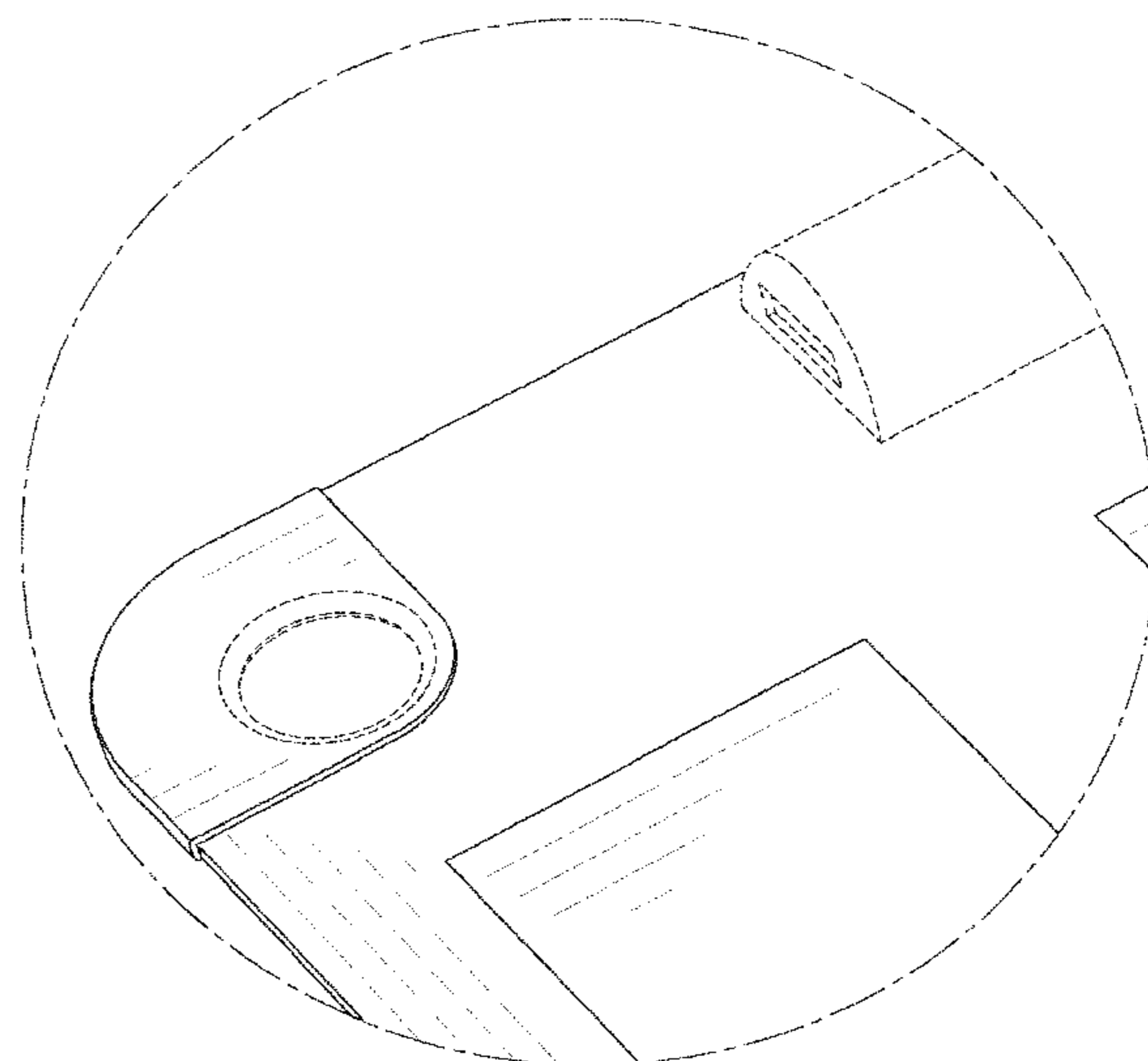
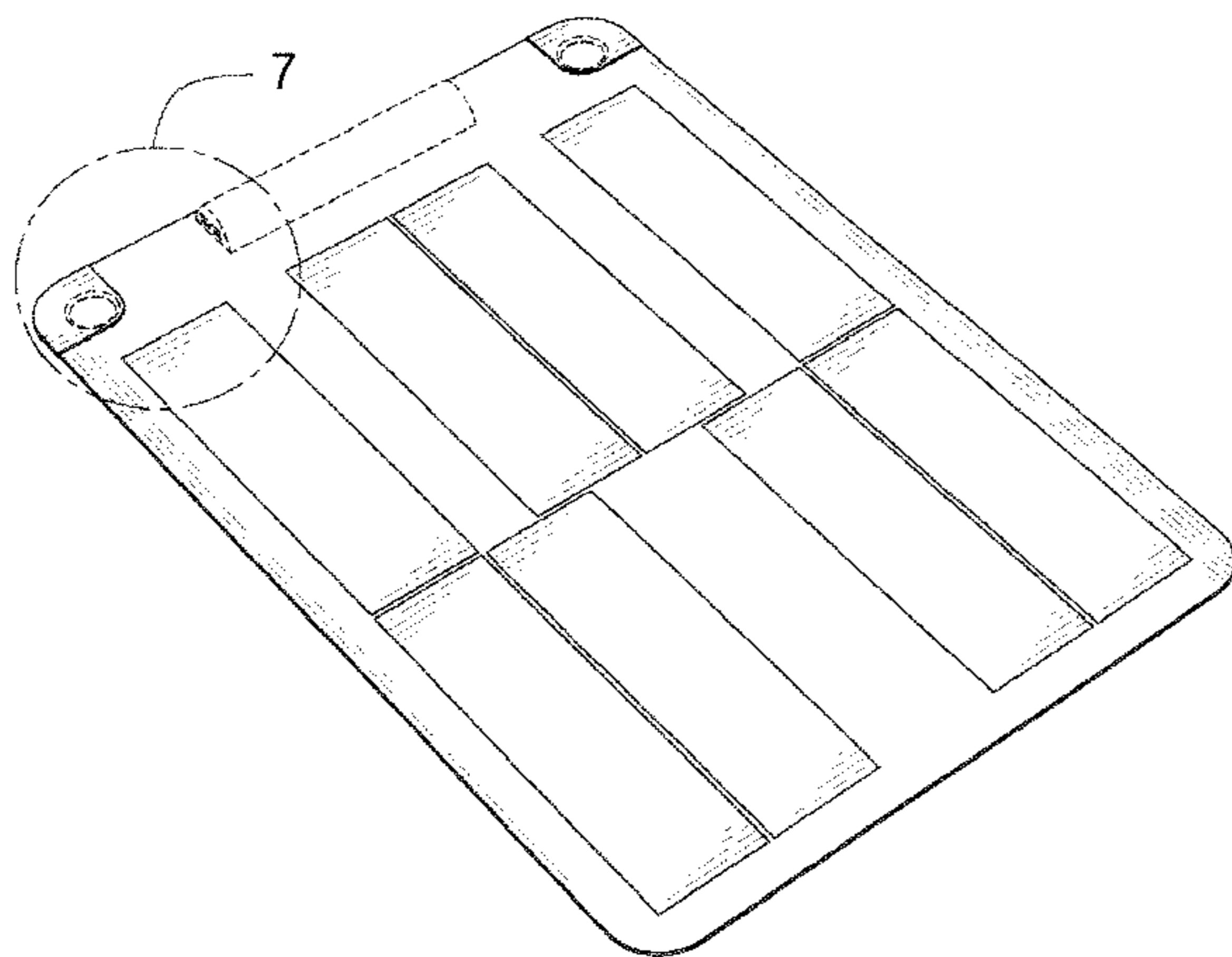
(57) **CLAIM**

The ornamental design for a photovoltaic power assembly, as shown and described.

DESCRIPTION

FIG. 1 is a front elevational view of a photovoltaic power assembly showing our new design; FIG. 2 is a rear elevational view thereof; FIG. 3 is a left side elevational view thereof; FIG. 4 is a right side elevational view thereof; FIG. 5 is a top plan view thereof; FIG. 6 is a bottom plan view thereof; FIG. 7 is a perspective view thereof; and, FIG. 8 is an enlarged view of area 7 of FIG. 7. The color shown on the claimed design forms no part thereof.

1 Claim, 8 Drawing Sheets



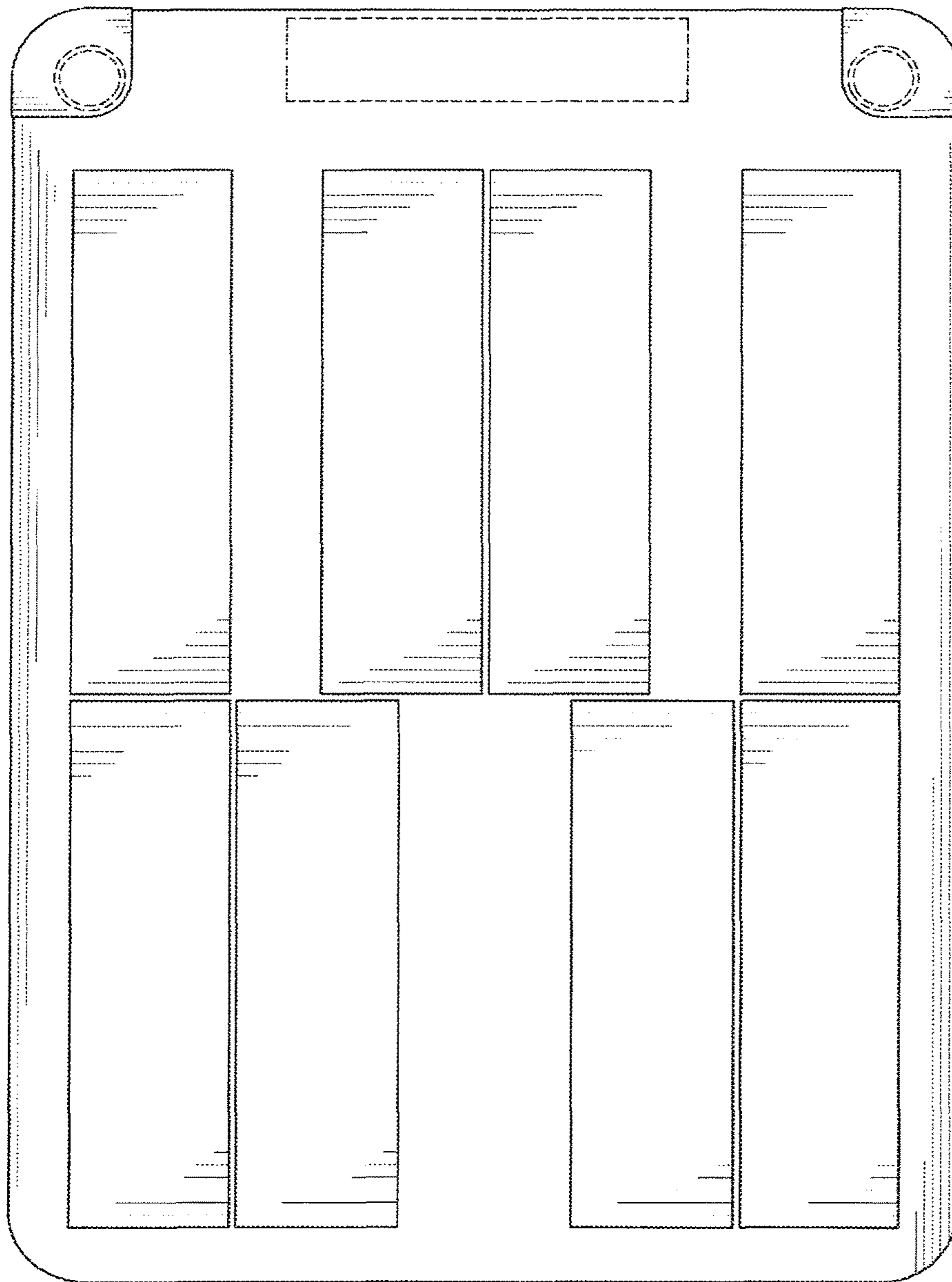


FIG. 1

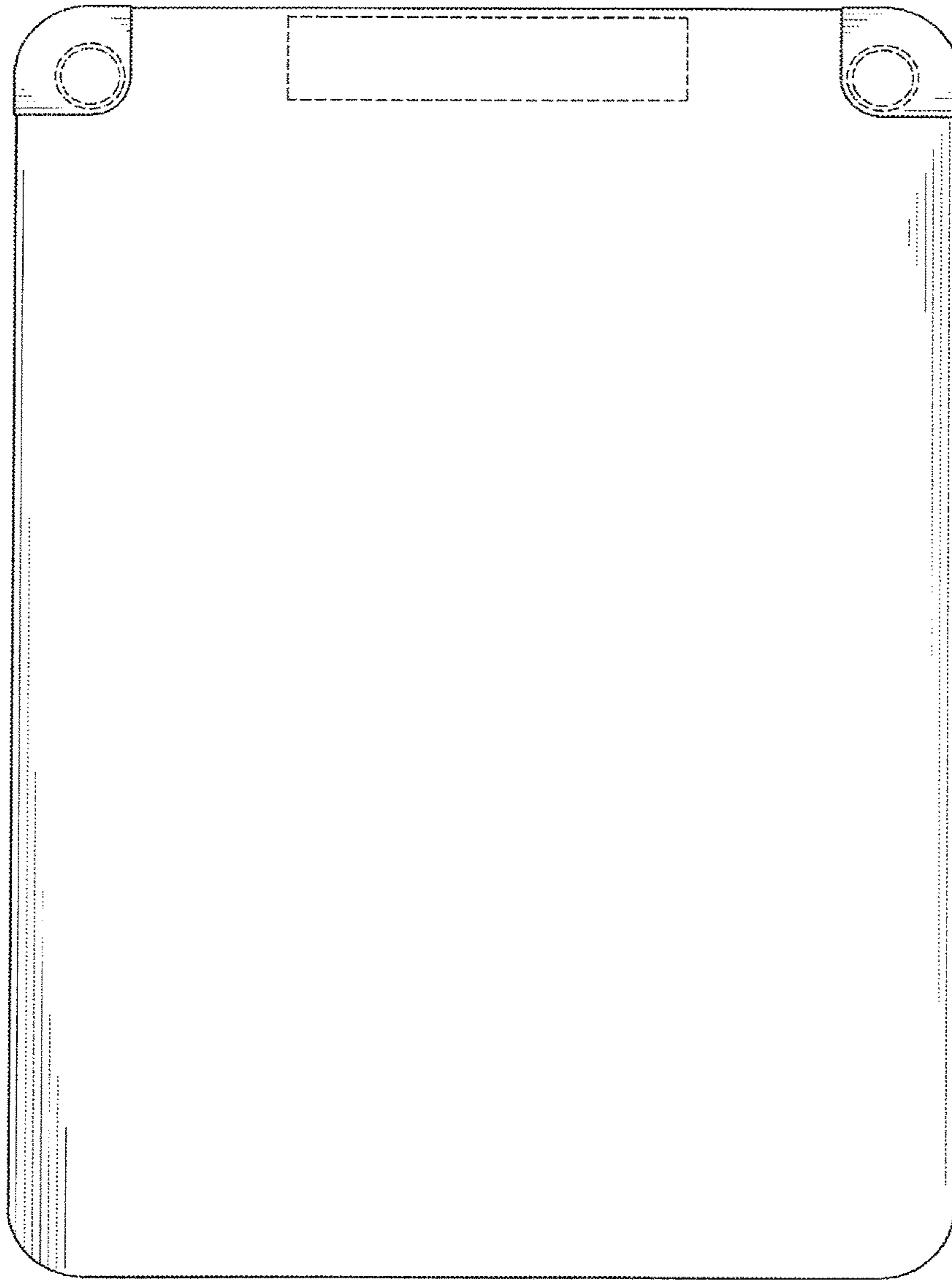


FIG. 2

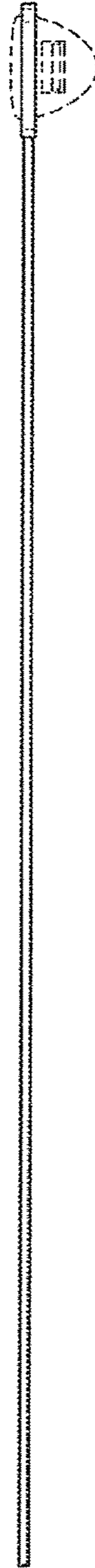


FIG. 3



FIG. 4

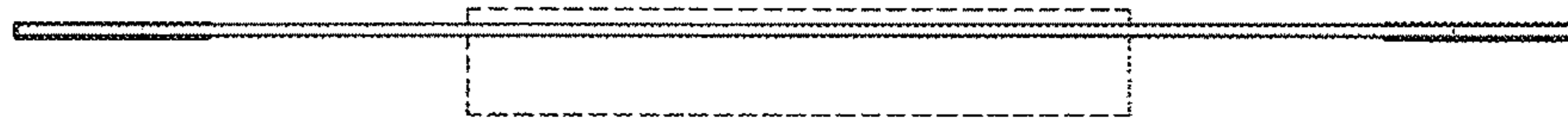


FIG. 5

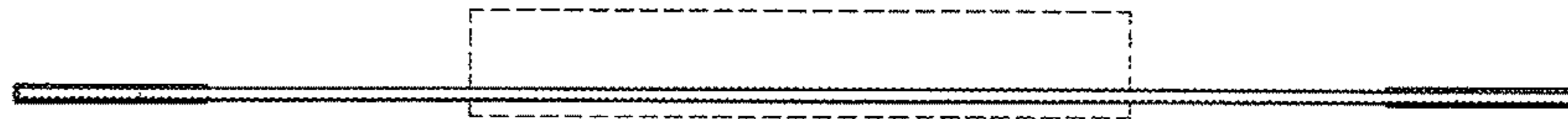


FIG. 6

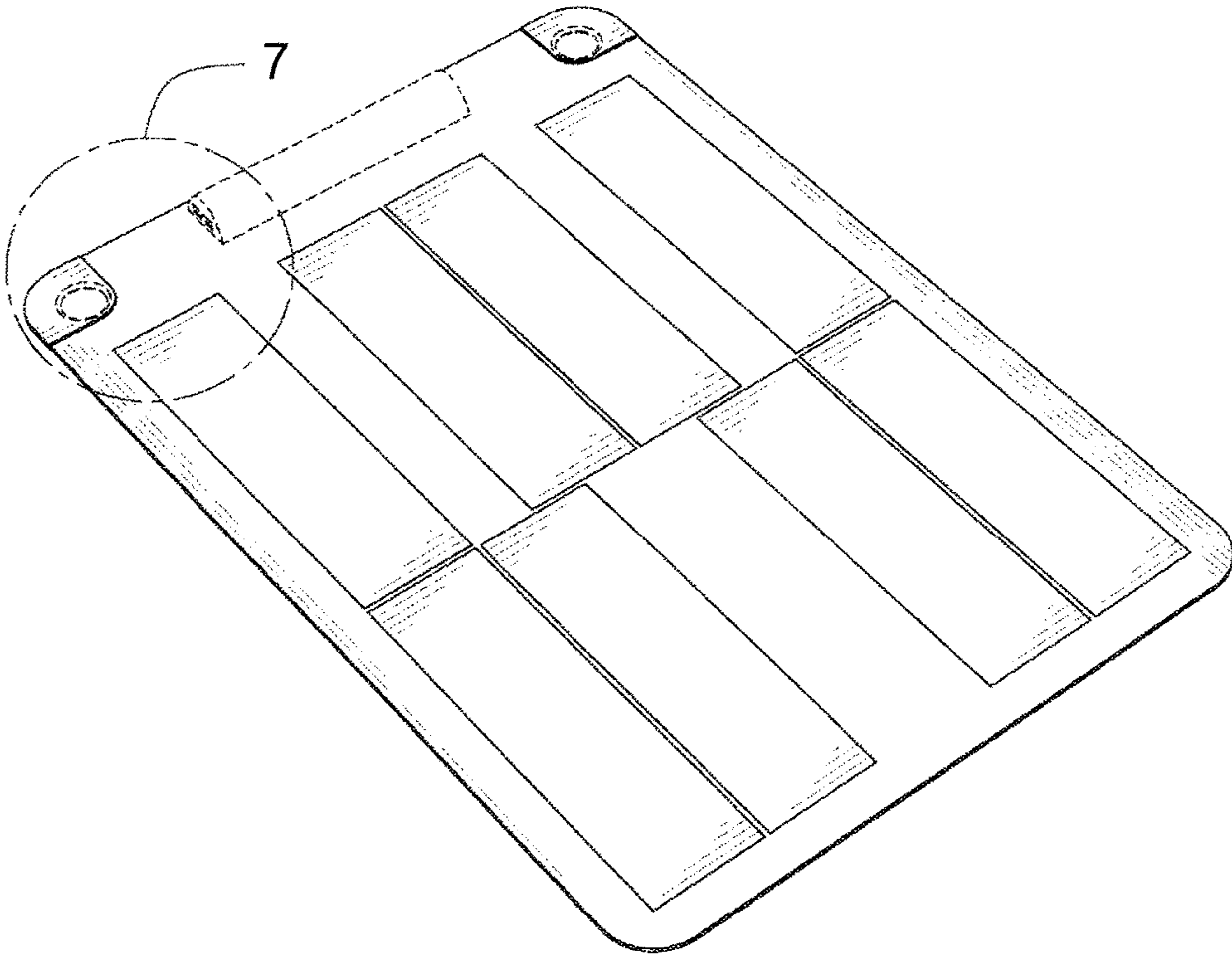


FIG. 7

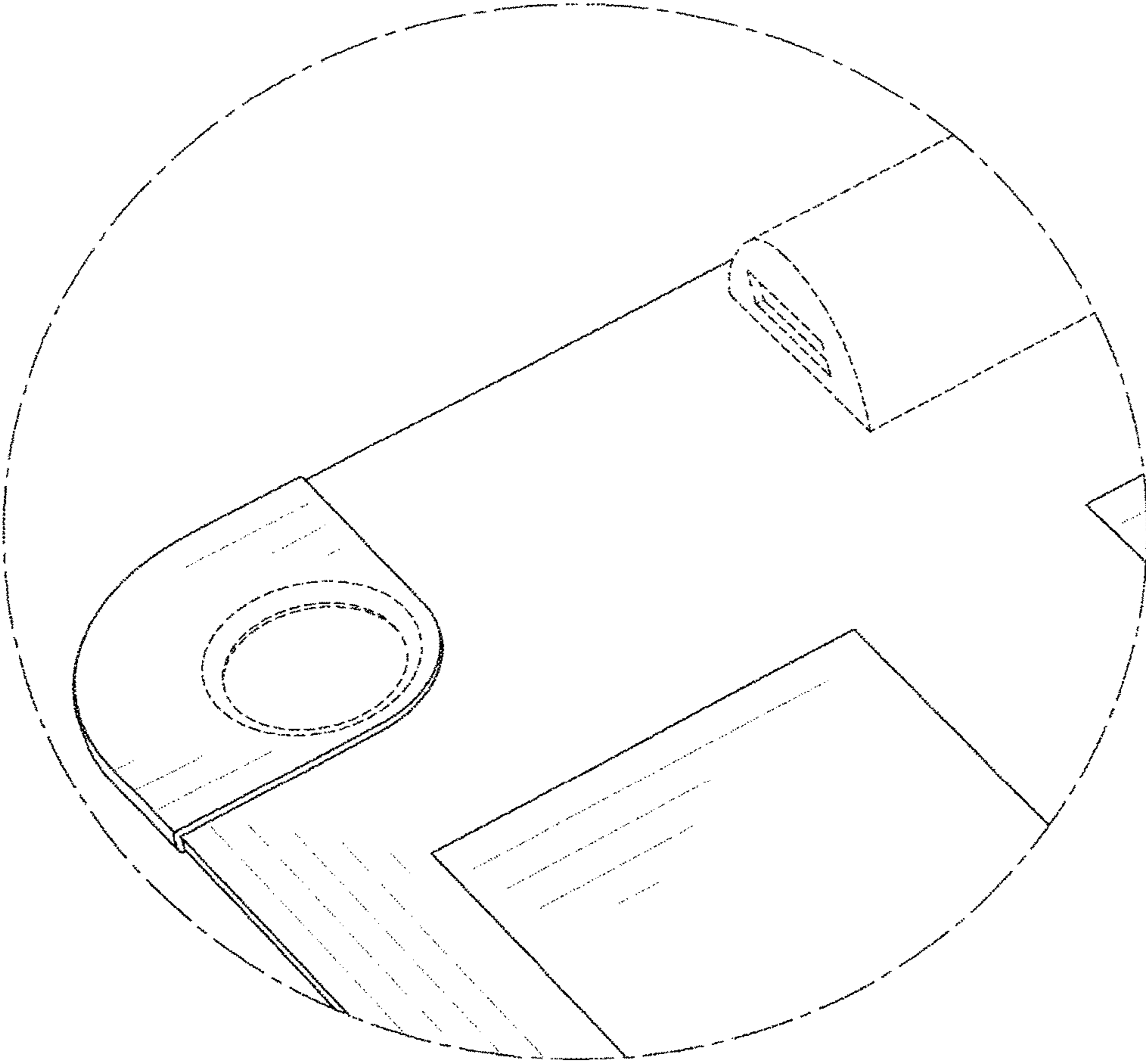


FIG. 8