



US00D856907S

(12) **United States Design Patent** (10) **Patent No.:** **US D856,907 S**
Liu (45) **Date of Patent:** **** Aug. 20, 2019**

(54) **TIRE**
(71) Applicant: **Qi Liu**, Shandong (CN)
(72) Inventor: **Qi Liu**, Shandong (CN)
(**) Term: **15 Years**
(21) Appl. No.: **29/613,752**

D454,534 S * 3/2002 Murata D12/555
D456,765 S * 5/2002 Weber D12/555
D461,763 S * 8/2002 Kuramochi D12/556
D471,147 S * 3/2003 Kuwajima D12/550
D485,229 S * 1/2004 Murata D12/556
D507,519 S * 7/2005 Lo D12/556
D590,326 S * 4/2009 Lee D12/550
D746,763 S * 1/2016 Kubo D12/555
D775,062 S * 12/2016 Liu D12/555

* cited by examiner

(22) Filed: **Aug. 14, 2017**

Primary Examiner — George D. Kirschbaum
Assistant Examiner — Joseph J Kukella

(30) **Foreign Application Priority Data**

May 19, 2017 (CN) 2017 3 0188993

(51) **LOC (12) Cl.** **12-15**

(52) **U.S. Cl.**
USPC **D12/555**

(58) **Field of Classification Search**
USPC D12/533-567
CPC B60C 11/0302; B60C 2011/0358; B60C
2011/0374; B60C 2011/0386; B60C
2011/0388

See application file for complete search history.

(56) **References Cited**

U.S. PATENT DOCUMENTS

D432,057 S * 10/2000 Himuro D12/555
D445,730 S * 7/2001 Himuro D12/555

(57) **CLAIM**

The ornamental design for a tire, as shown.

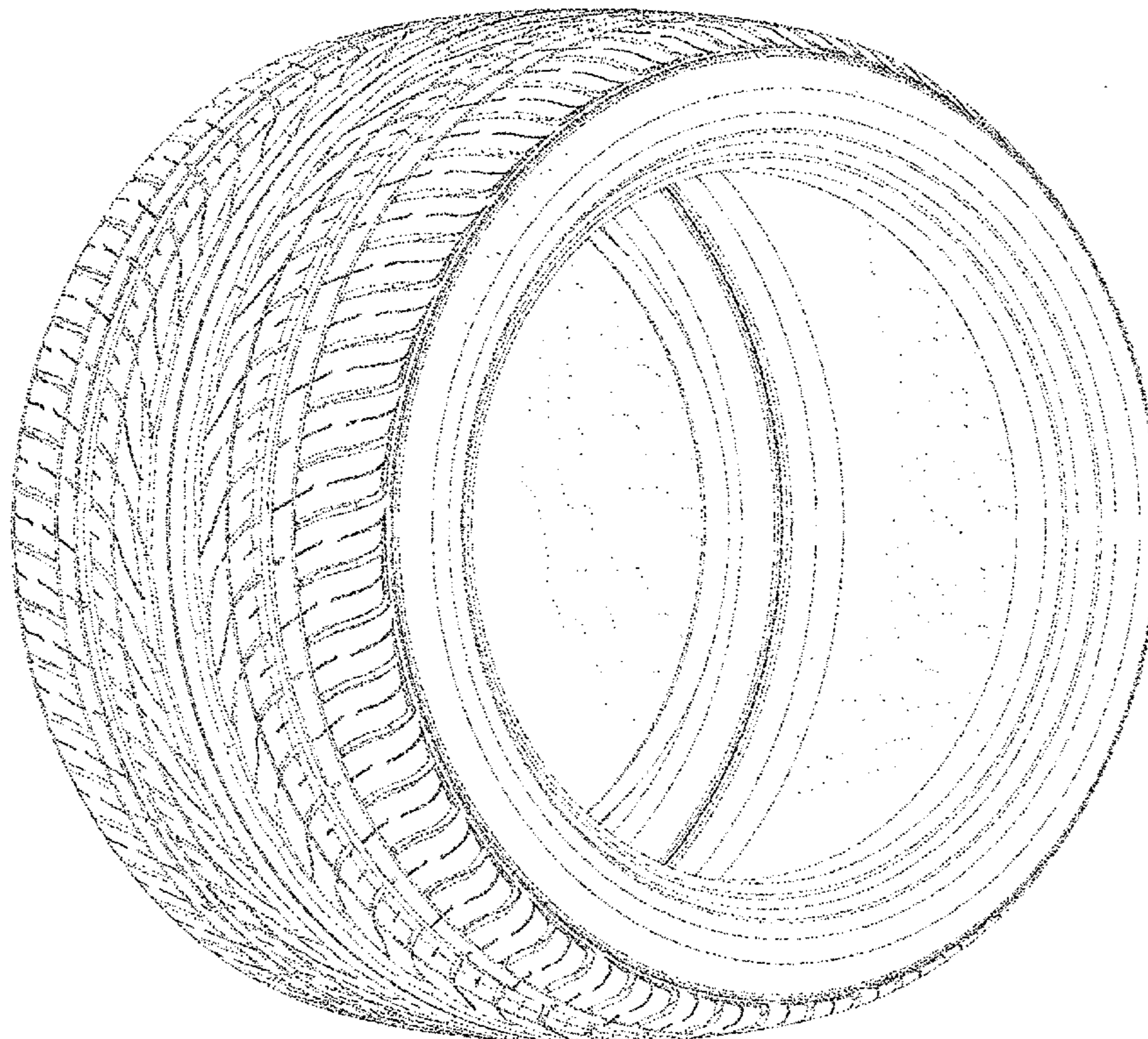
DESCRIPTION

FIG. 1 is a front elevational view of a tire showing my new design;

FIG. 2 is a right side view thereof; and,

FIG. 3 is a perspective view thereof.

1 Claim, 3 Drawing Sheets



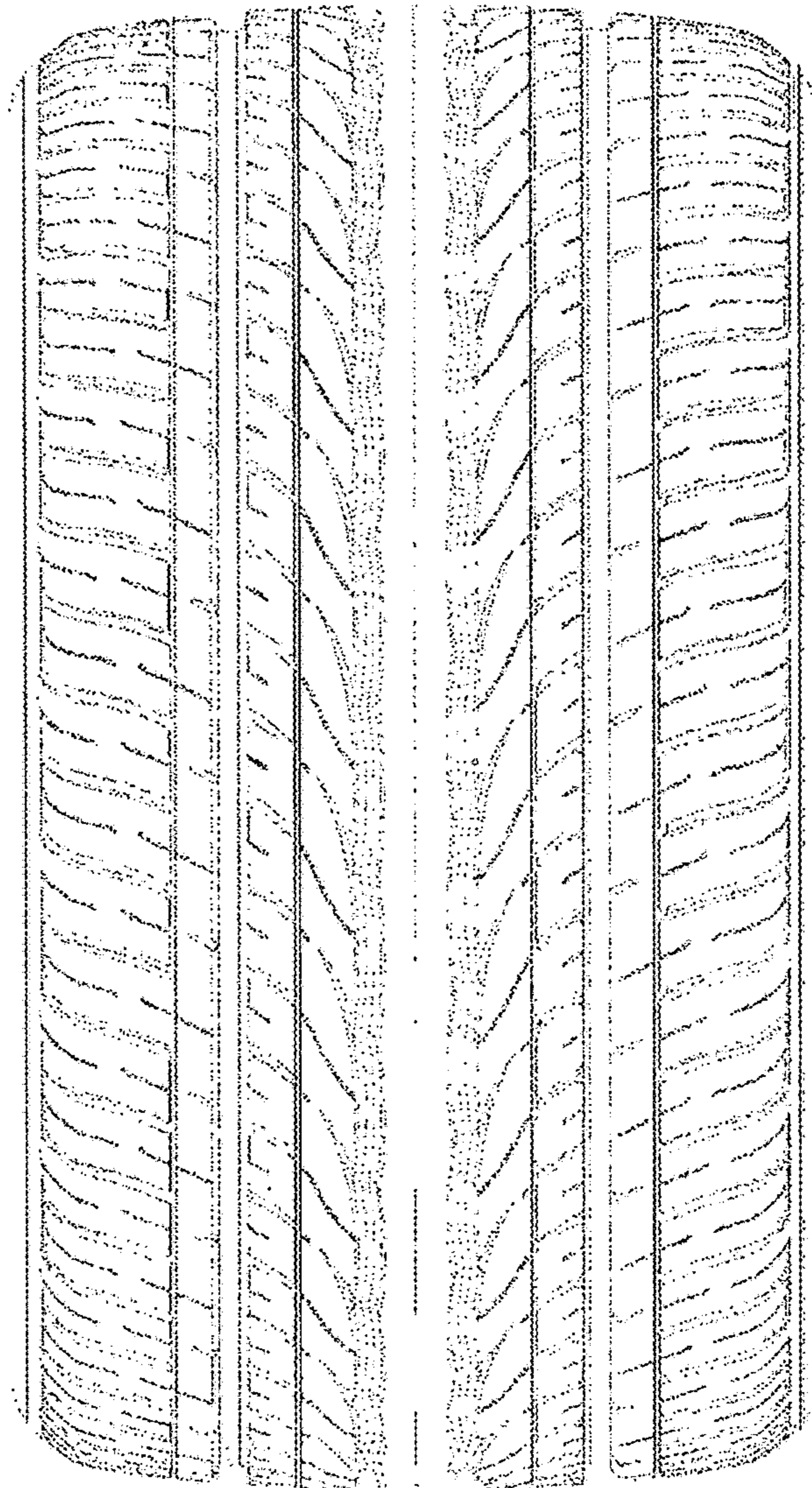


FIG. 1

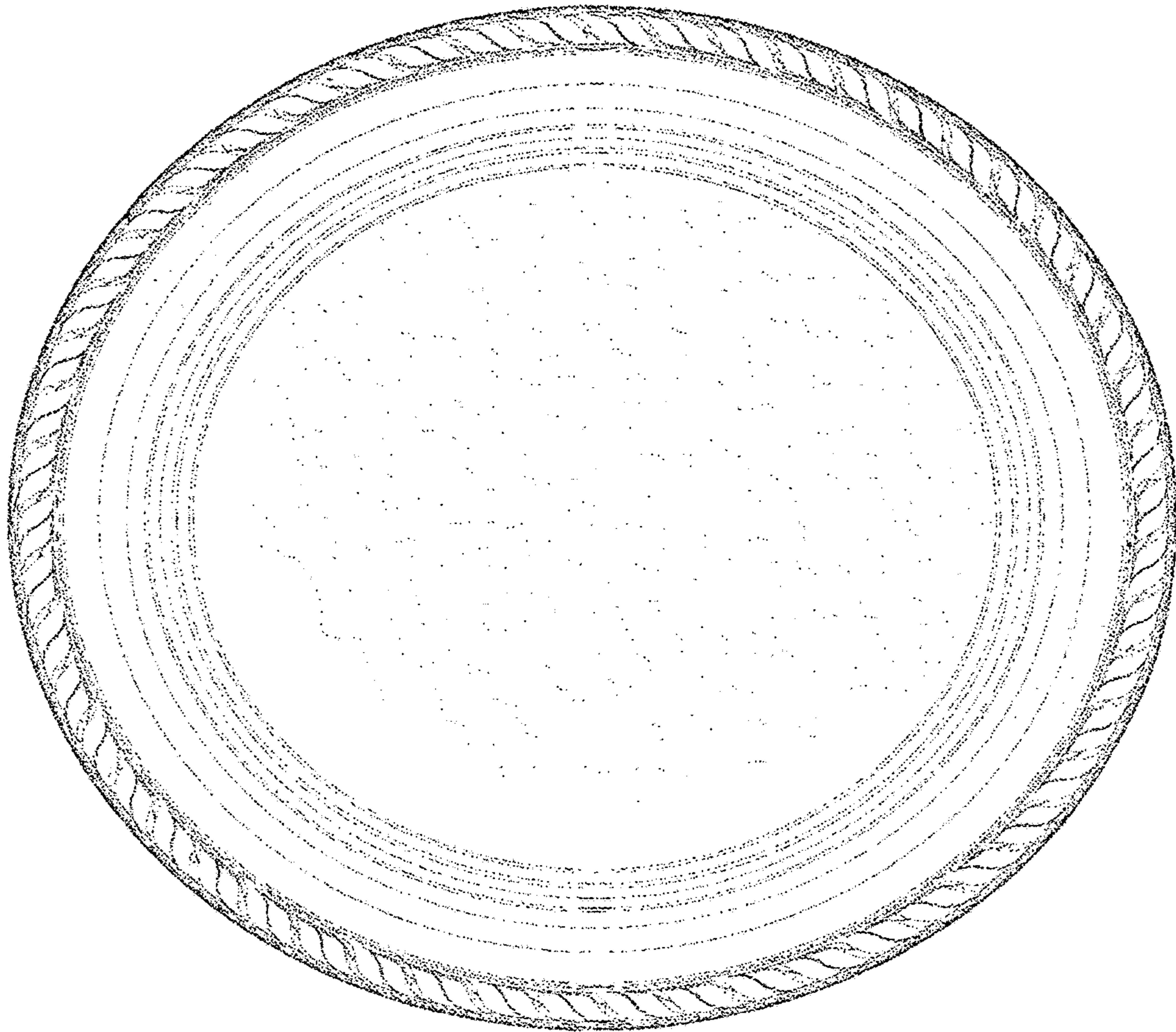


FIG. 2

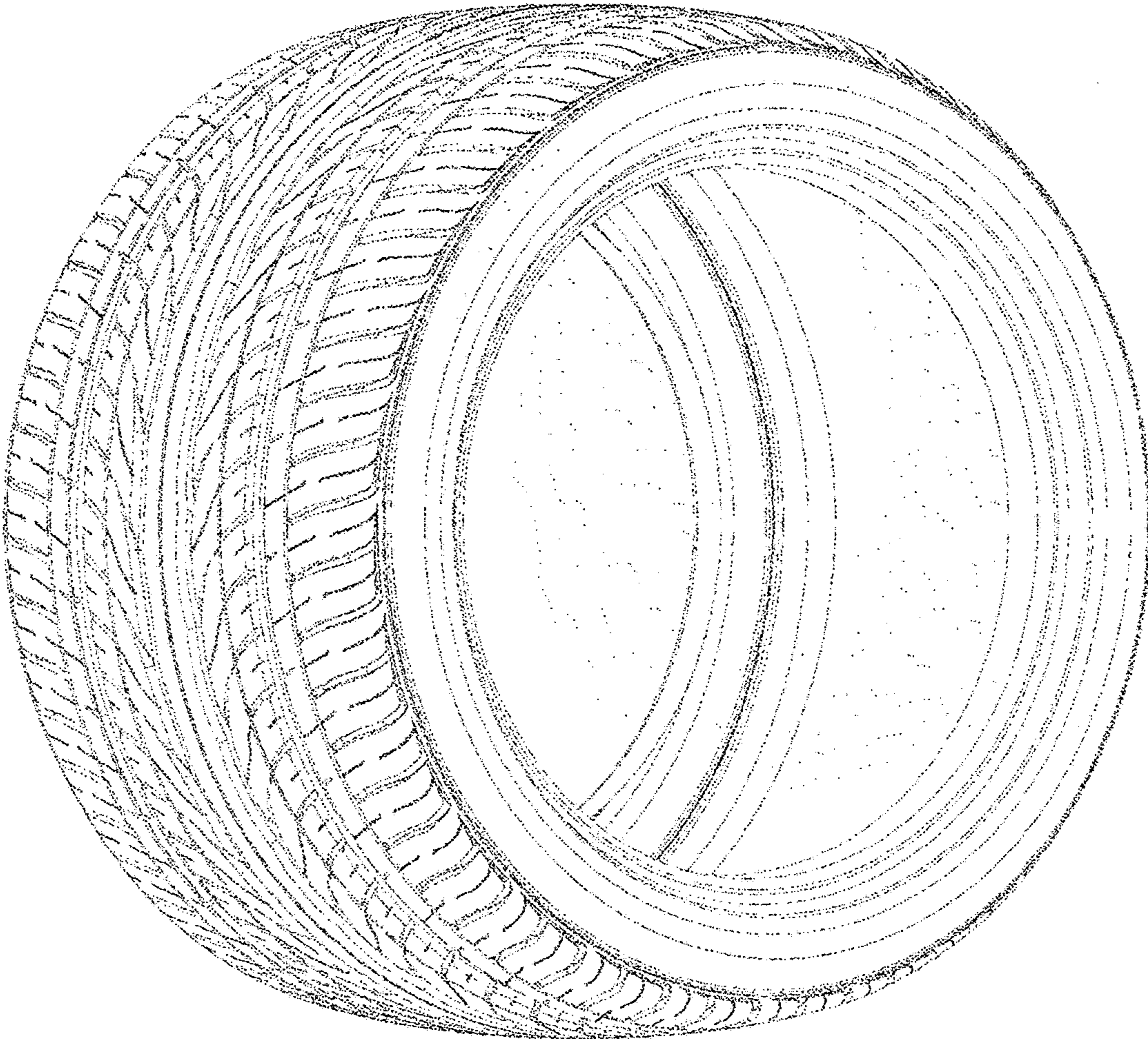


FIG. 3

UNITED STATES PATENT AND TRADEMARK OFFICE
CERTIFICATE OF CORRECTION

PATENT NO. : D856,907 S
APPLICATION NO. : 29/613752
DATED : August 20, 2019
INVENTOR(S) : Qi Liu

Page 1 of 1

It is certified that error appears in the above-identified patent and that said Letters Patent is hereby corrected as shown below:

On the Title Page

In item (71), please change the Applicant's name from "Qi LIU" to --Shandong New Continent
Tire Co.,Ltd--

Signed and Sealed this
Ninth Day of August, 2022
Katherine Kelly Vidal

Katherine Kelly Vidal
Director of the United States Patent and Trademark Office