



US00D856902S

(12) **United States Design Patent**
Hill et al.

(10) **Patent No.:** **US D856,902 S**

(45) **Date of Patent:** **** Aug. 20, 2019**

(54) **AUTOMOBILE CENTER CONSOLE OR REPLICAS THEREOF**

(71) Applicant: **ASTON MARTIN LAGONDA LIMITED**, Warwick (GB)

(72) Inventors: **Matthew Hill**, Warwick (GB); **Steve Platt**, Warwick (GB)

(73) Assignee: **Aston Martin Lagonda Limited** (GB)

(**) Term: **15 Years**

(21) Appl. No.: **29/631,887**

(22) Filed: **Jan. 3, 2018**

(30) **Foreign Application Priority Data**

Jul. 4, 2017 (EM) 004087179-0002

(51) **LOC (12) Cl.** **12-16**

(52) **U.S. Cl.**
USPC **D12/415**; D12/192

(58) **Field of Classification Search**
USPC D14/157, 485, 489, 492, 488, 490;
D20/28, 35; D12/191, 192, 190, 195,
D12/345, 415-420, 400, 110, 114, 106,
D12/96, 99; 296/70, 24.3, 37.12;
702/165; 345/158, 594; D10/113.4, 49,
D10/46, 98, 102, 103, 122, 123, 124, 125,
D10/126, 127; 715/839; D15/17, 28
CPC ... B60R 21/045; B60R 2300/305; B60R 7/04;
B60R 7/06; B60R 7/08; B60K 35/00;
B60K 37/00; B60K 37/02; B60K 37/04;
B60K 37/06; G06F 3/04817; H04N
21/4307; H04N 21/4312
See application file for complete search history.

(56) **References Cited**

U.S. PATENT DOCUMENTS

D385,847 S * 11/1997 Ma D12/415
D389,798 S * 1/1998 Ma D12/192

D401,545 S * 11/1998 Sacco D12/192
D403,641 S * 1/1999 Sacco D12/192
D440,926 S * 4/2001 Pfeiffer D12/192
D449,026 S * 10/2001 Tsay D12/192
D470,809 S * 2/2003 Asahi D12/192

(Continued)

OTHER PUBLICATIONS

Honda removes the gear lever, brings in push button gear-shift in the new CRV, FinancialExpress.com, By: FE Bureau, Published: Sep. 8, 2018 1:34 AM, [online], [site visited Feb. 20, 2019]. <URL: <https://www.financialexpress.com/industry/honda-removes-the-gear-lever-brings-in-push-button-ge> (Year: 2018).*

(Continued)

Primary Examiner — T Chase Nelson

Assistant Examiner — Jonathan J. Han

(74) *Attorney, Agent, or Firm* — Dorsey & Whitney LLP

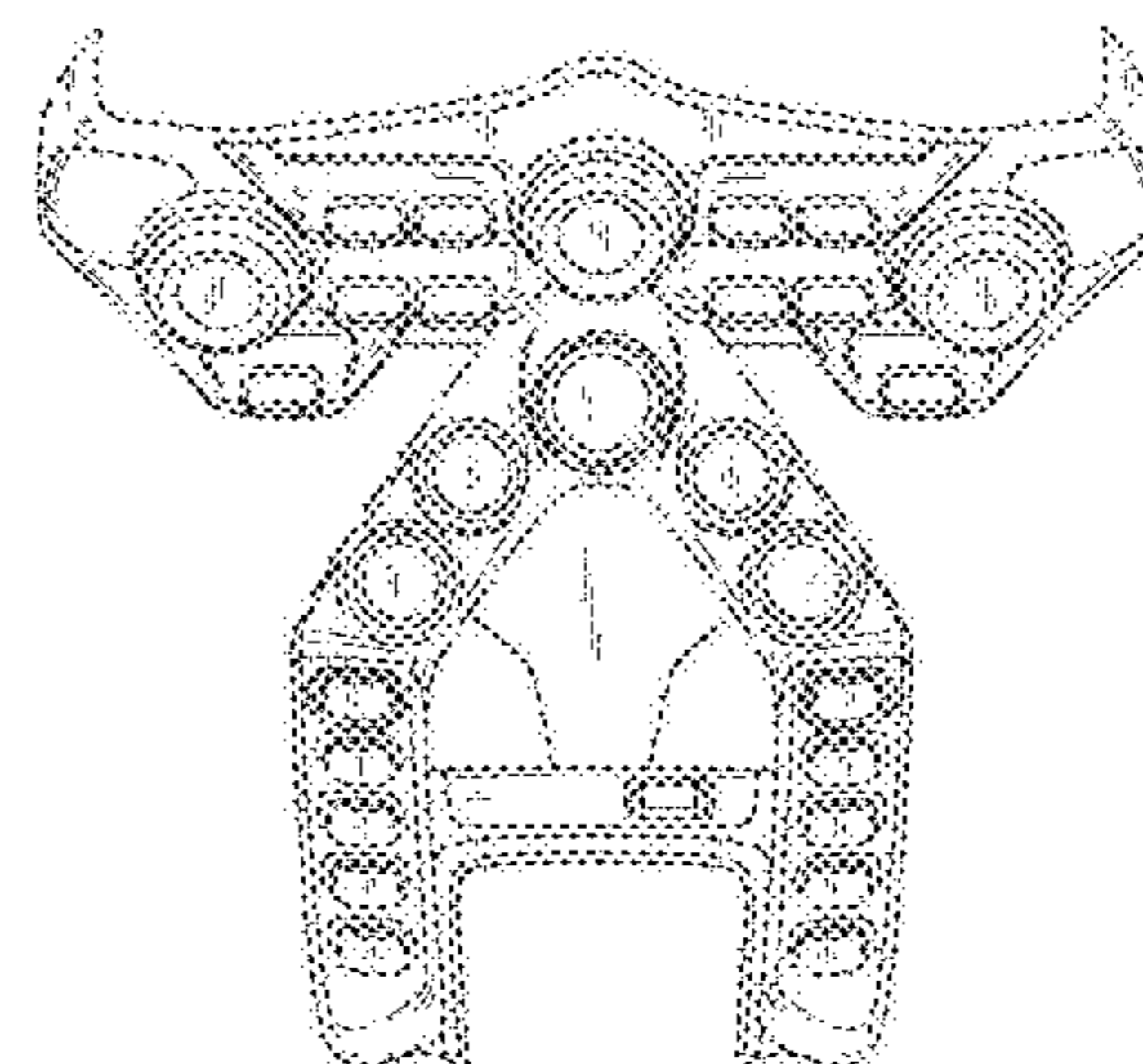
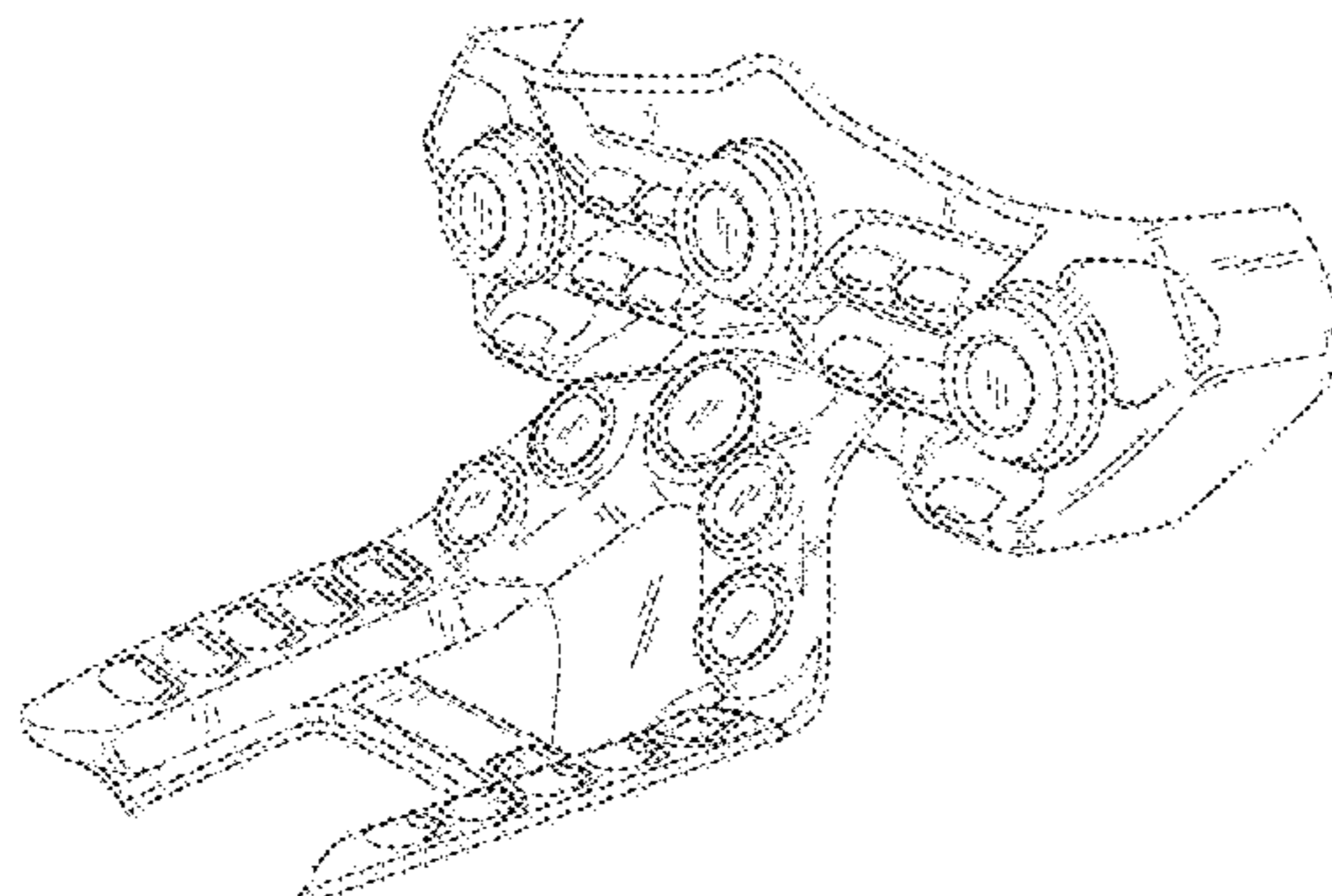
(57) **CLAIM**

The ornamental design for an automobile center console or replica thereof, as shown and described.

DESCRIPTION

FIG. 1 is top front right-side perspective view of an automobile center console or replica thereof in accordance with the present design;
FIG. 2 is a top right-side perspective view thereof;
FIG. 3 is a front perspective view thereof;
FIG. 4 is a top front perspective view thereof; and,
FIG. 5 is a top perspective view thereof.
Any portion of the automobile center console or replica thereof that is not shown in the drawings forms no part of the claimed design.
The broken lines illustrate portions of the automobile center console or replica thereof that form no part of the claimed design.

1 Claim, 5 Drawing Sheets



(56)

References Cited

U.S. PATENT DOCUMENTS

D529,848 S * 10/2006 Shigehara D12/192
 D538,737 S * 3/2007 Scully D12/421
 D558,109 S * 12/2007 Misugi D12/192
 D558,110 S * 12/2007 Ozeki D12/192
 D568,232 S * 5/2008 Motozaki D12/421
 D571,272 S * 6/2008 Esaki D12/192
 D620,396 S 7/2010 Reichman et al.
 D621,761 S * 8/2010 Wiedeman D12/192
 D624,869 S * 10/2010 Corradi D12/415
 D626,466 S 11/2010 Reichman et al.
 D629,718 S 12/2010 Reichman et al.
 D629,719 S 12/2010 Reichman et al.
 D629,725 S 12/2010 Reichman et al.
 D630,140 S 1/2011 Reichman et al.
 D637,541 S * 5/2011 Ali D12/192
 D656,441 S * 3/2012 Cheung D12/192
 D656,457 S * 3/2012 Crepeau D12/419
 D670,640 S 11/2012 Reichman et al.
 D687,348 S 8/2013 Nurnberger
 D689,812 S 9/2013 Reichman et al.
 D692,800 S 11/2013 Wiltshire
 D693,753 S * 11/2013 Cheung D12/192
 D697,459 S * 1/2014 Yamada D12/192
 D697,461 S * 1/2014 Norman D12/192
 D697,853 S * 1/2014 Uk Chang D12/192
 D704,102 S 5/2014 Nurnberger
 D704,601 S 5/2014 Nurnberger
 D721,996 S * 2/2015 Farcas D12/192
 D721,997 S * 2/2015 Hedge D12/192
 D726,079 S 4/2015 Reichman et al.
 D726,612 S * 4/2015 Wiedeman D12/192
 D727,804 S 4/2015 Nurnberger
 D730,777 S 6/2015 Nurnberger
 D739,789 S 9/2015 Payne
 D740,725 S 10/2015 Payne
 D758,247 S 6/2016 Nurnberger et al.
 D766,474 S 9/2016 Holgate et al.
 D772,128 S 11/2016 Platt
 D774,950 S 12/2016 Holgate et al.
 D774,995 S 12/2016 Holgate et al.
 D777,070 S 1/2017 Nurnberger
 D778,790 S 2/2017 Nurnberger
 D780,078 S * 2/2017 Hashimoto D12/192
 D780,632 S 3/2017 Nurnberger
 D780,633 S 3/2017 Nurnberger et al.
 D780,634 S 3/2017 Nurnberger et al.
 D780,636 S 3/2017 Kahn
 D785,525 S 5/2017 Nurnberger
 D786,155 S 5/2017 Holgate et al.
 D786,744 S 5/2017 Nurnberger et al.
 D796,404 S 9/2017 Nurnberger
 D800,619 S 10/2017 Platt
 D801,245 S * 10/2017 Giolito D12/192
 D801,558 S 10/2017 Nurnberger et al.
 D810,642 S * 2/2018 Nakaya D12/192

D824,306 S * 7/2018 Joyce D12/192
 D824,827 S * 8/2018 Fujii D12/192
 D826,838 S * 8/2018 Boyes D12/415
 D828,259 S * 9/2018 Takagi D12/192

OTHER PUBLICATIONS

Gallery: 2019 Aston Martin Vantage Interior, AutoWeek.com, May 24, 2018, [online], [site visited Feb. 20, 2019]. <URL: <https://autoweek.com/gallery/car-reviews/gallery-2019-aston-martin-vantage-interior>> (Year: 2018).*

2019 Aston Martin Vantage, TowbinMotorcars.com, [online], [site visited Feb. 20, 2019]. <URL: https://www.towbinmotorcars.com/detail-2019-aston_martin-vantage-new-18049429.html> (Year: 2019).*

2019 Aston Martin Vantage Prototype Center Console 03, Motortrend.com, Erika Pizano—Feb. 27, 2018, [online], [site visited Feb. 20, 2019]. <URL: <https://www.motortrend.com/2019-aston-martin-vantage-prototype-center-console-03/>> (Year: 2018).*

U.S. Appl. No. 29/542,940, filed Oct. 19, 2015, Kahn.
 U.S. Appl. No. 29/573,909, filed Aug. 10, 2016, Cooper.
 U.S. Appl. No. 29/582,156, filed Oct. 25, 2016, Earley.
 U.S. Appl. No. 29/582,165, filed Oct. 25, 2016, Earley.
 U.S. Appl. No. 29/582,167, filed Oct. 25, 2016, Earley.
 U.S. Appl. No. 29/582,170, filed Oct. 25, 2016, Earley.
 U.S. Appl. No. 29/583,268, filed Nov. 3, 2016, Nurnberger et al.
 U.S. Appl. No. 29/583,272, filed Nov. 3, 2016, Nurnberger et al.
 U.S. Appl. No. 29/583,278, filed Nov. 3, 2016, Nurnberger et al.
 U.S. Appl. No. 29/584,625, filed Nov. 16, 2016, Nurnberger et al.
 U.S. Appl. No. 29/584,629, filed Nov. 16, 2016, Nurnberger et al.
 U.S. Appl. No. 29/589,582, filed Jan. 3, 2017, Nurnberger et al.
 U.S. Appl. No. 29/589,583, filed Jan. 3, 2017, Nurnberger et al.
 U.S. Appl. No. 29/589,586, filed Jan. 3, 2017, Nurnberger et al.
 U.S. Appl. No. 29/589,618, filed Jan. 3, 2017, Nurnberger et al.
 U.S. Appl. No. 29/589,621, filed Jan. 3, 2017, Nurnberger et al.
 U.S. Appl. No. 29/595,005, filed Feb. 24, 2017, Nurnberger et al.
 U.S. Appl. No. 29/604,102, filed May 15, 2017, Nurnberger et al.
 U.S. Appl. No. 29/616,003, filed Sep. 1, 2017, Re et al.
 U.S. Appl. No. 29/616,006, filed Sep. 1, 2017, Re et al.
 U.S. Appl. No. 29/616,008, filed Sep. 1, 2017, Re et al.
 U.S. Appl. No. 29/616,010, filed Sep. 1, 2017, Re et al.
 U.S. Appl. No. 29/616,014, filed Sep. 1, 2017, Re et al.
 U.S. Appl. No. 29/621,813, filed Oct. 11, 2017, Nurnberger et al.
 U.S. Appl. No. 29/621,815, filed Oct. 11, 2017, Nurnberger et al.
 U.S. Appl. No. 29/626,411, filed Nov. 16, 2017, Nurnberger et al.
 U.S. Appl. No. 29/626,415, filed Nov. 16, 2017, Nurnberger et al.
 U.S. Appl. No. 29/626,419, filed Nov. 16, 2017, Hill et al.
 U.S. Appl. No. 29/626,801, filed Nov. 20, 2017, Hill et al.
 U.S. Appl. No. 29/631,883, filed Jan. 3, 2018, Hill et al.
 Aston Martin 2013, “Aston Martin Centenary Celebration Programme,” 2013; 204 pages.
 1976 and 1987 Aston Martin Lagonda, [online], [site visited Jul. 24, 2014], Available from Internet, <URL: <http://www.astonmartin.com/heritage/past-models/lagonda>>, 2 pages.

* cited by examiner

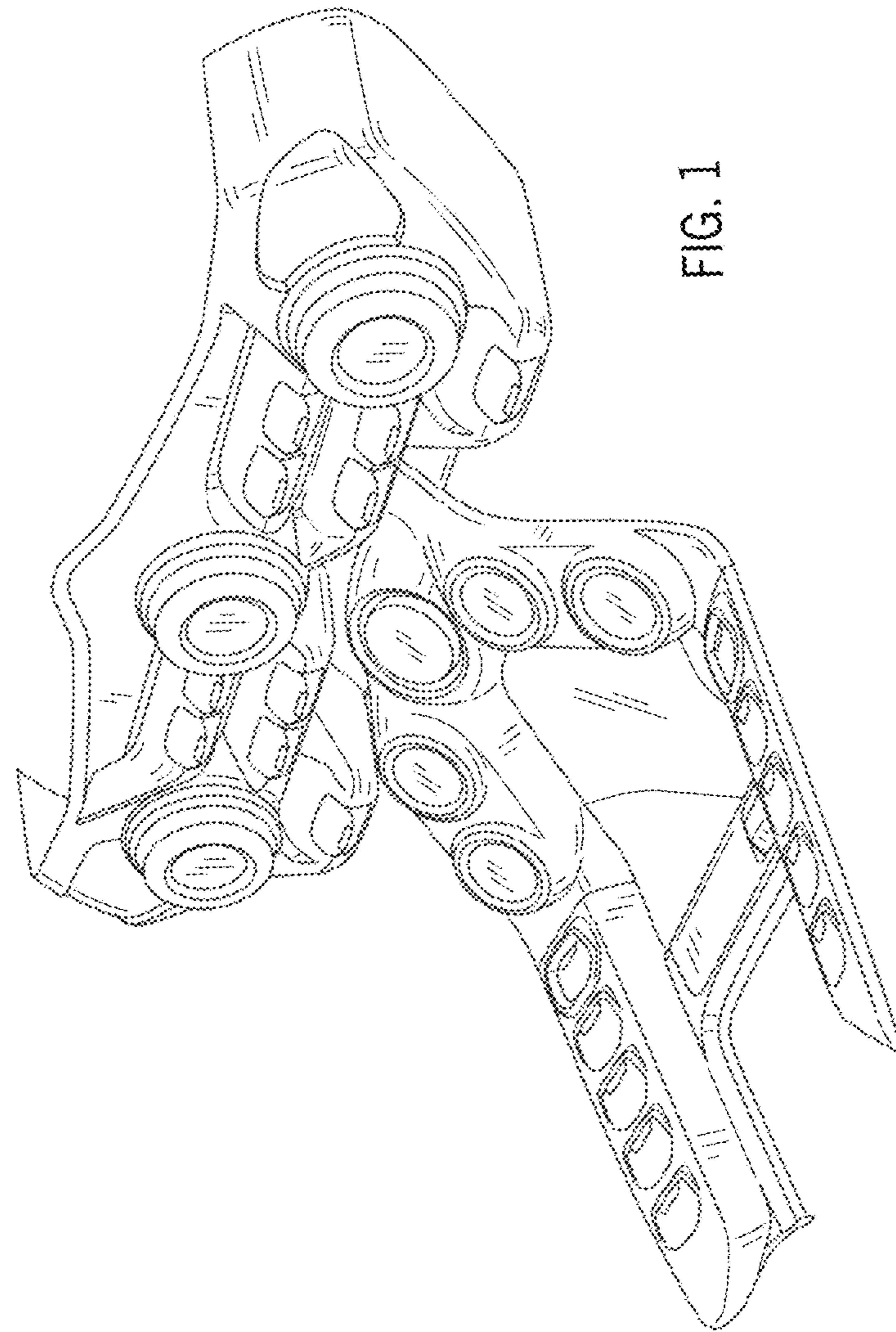


FIG. 1

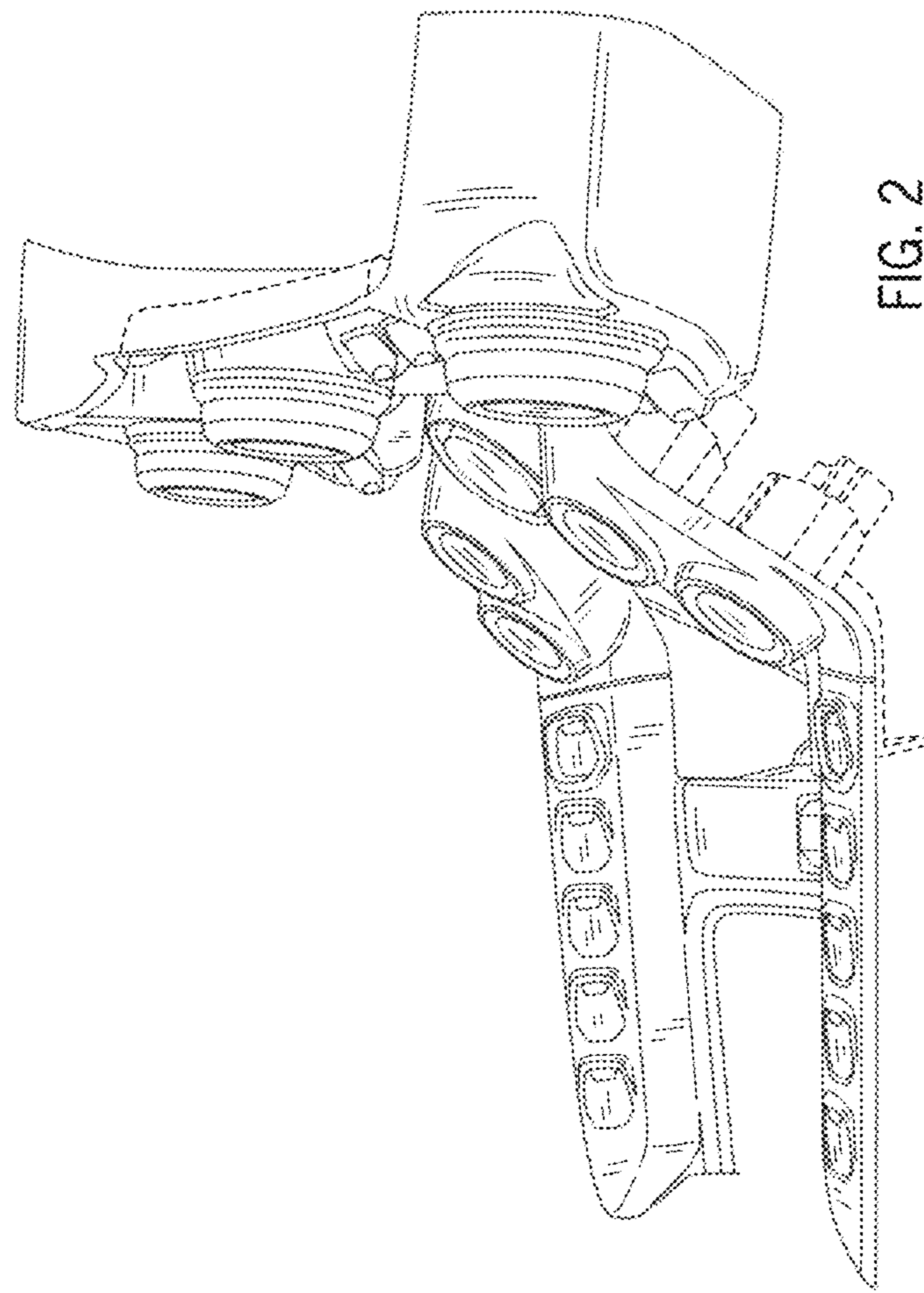


FIG. 2

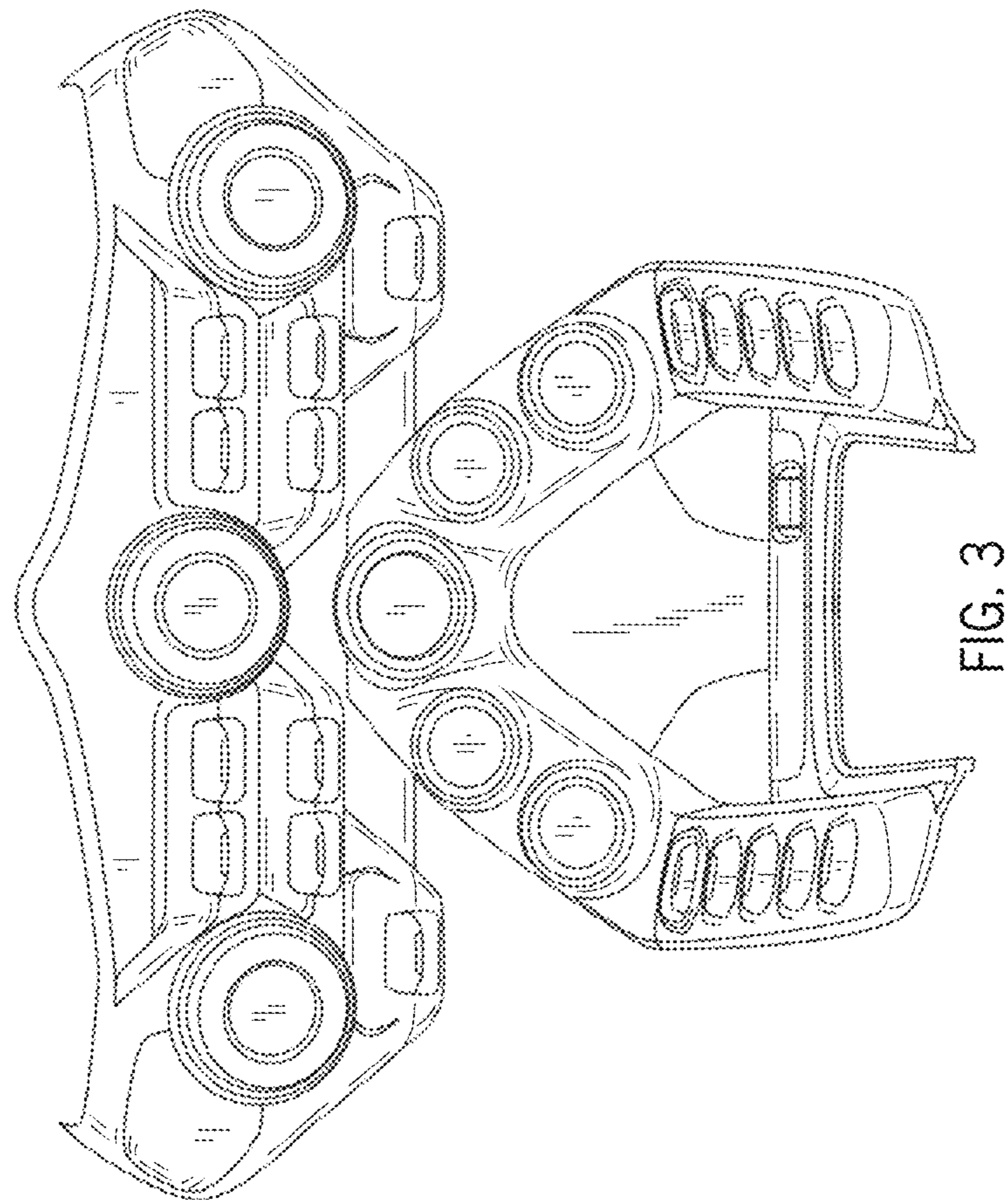
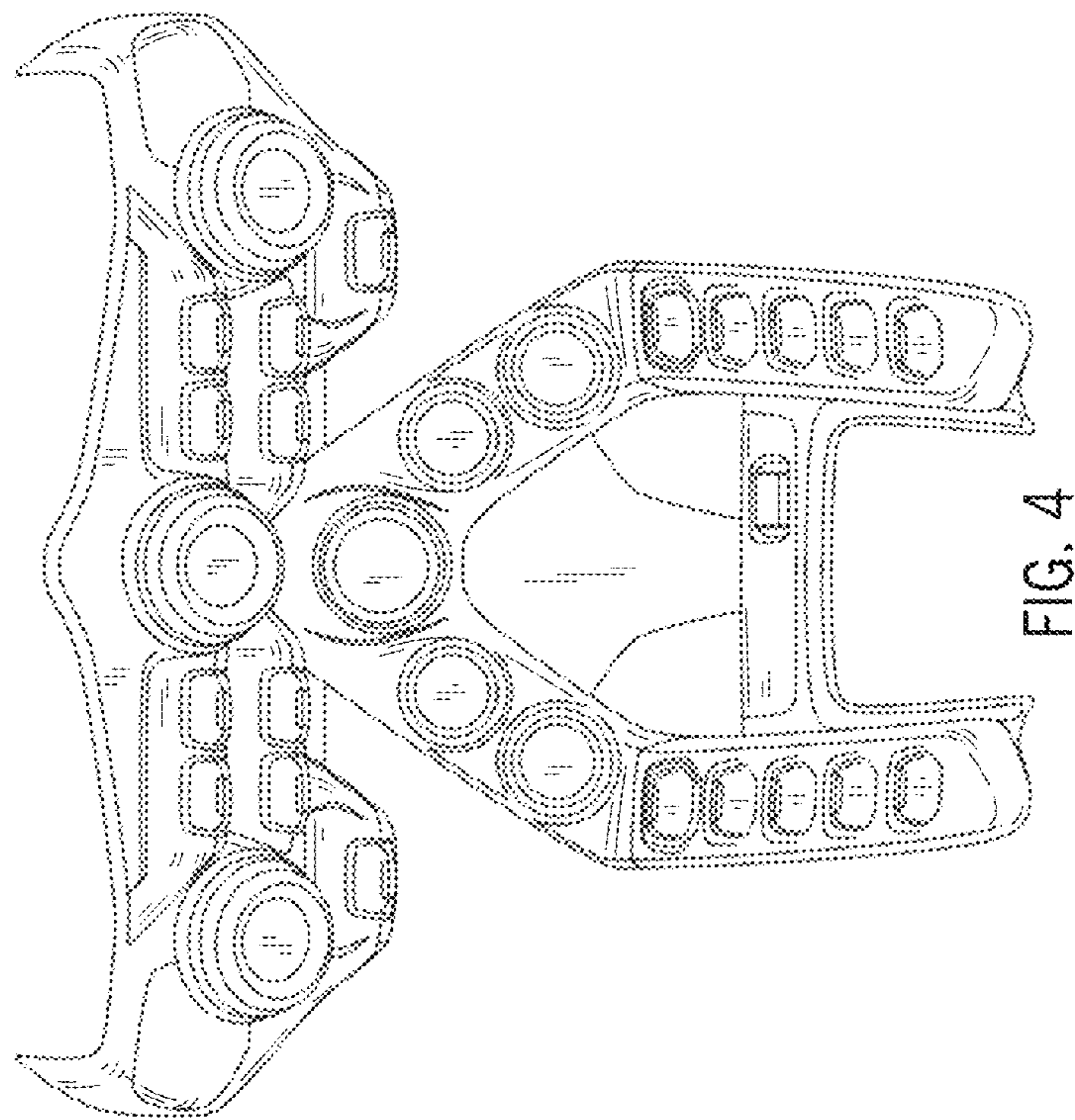


FIG. 3



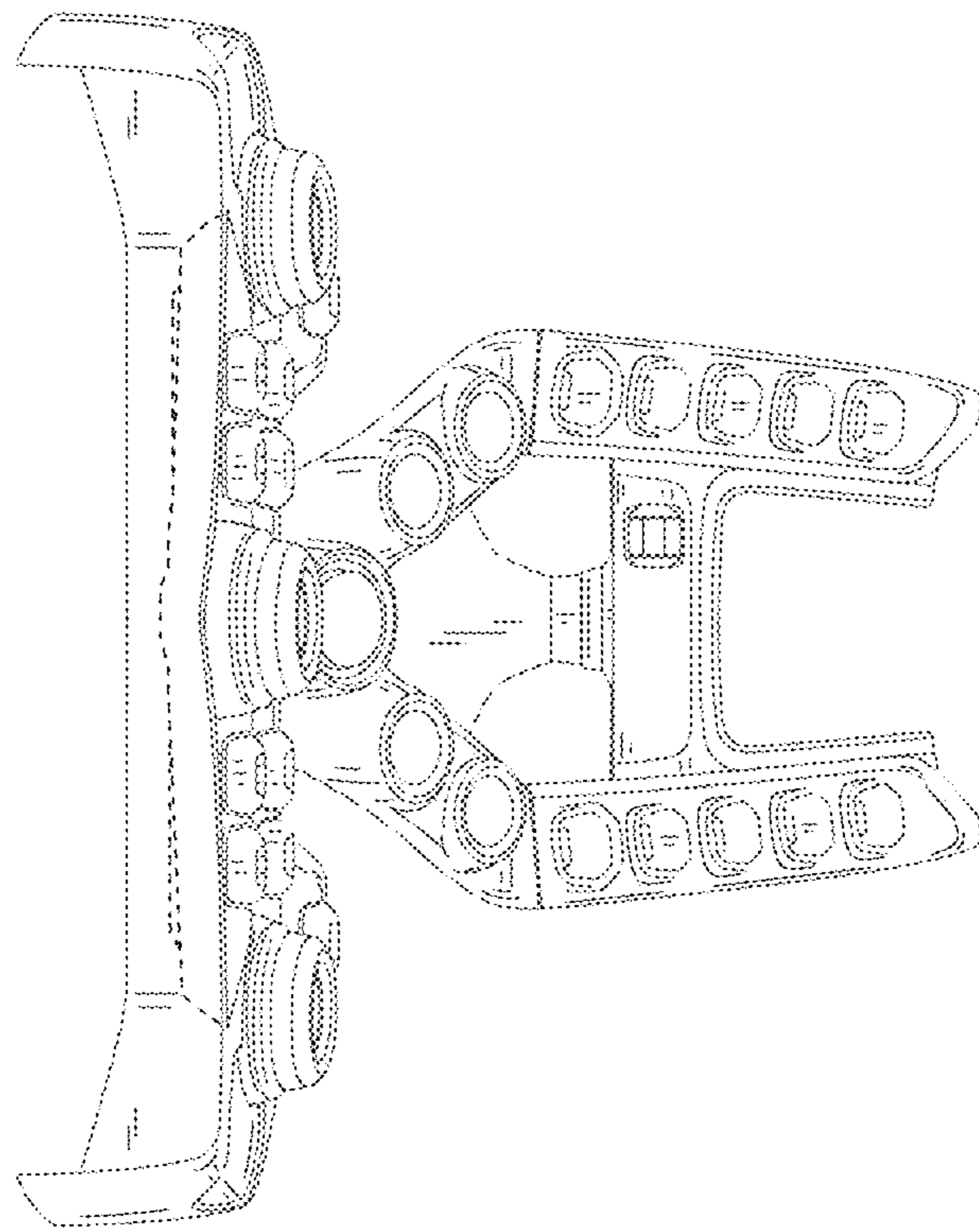


FIG. 5