



US00D856900S

(12) **United States Design Patent**
Baumann

(10) **Patent No.:** **US D856,900 S**

(45) **Date of Patent:** **** Aug. 20, 2019**

(54) **UTILITY VEHICLE LOADING RACK**

(71) Applicant: **Matt 18:20, LLC**, Rockwall, TX (US)

(72) Inventor: **Barret Baumann**, New Braunfels, TX (US)

(**) Term: **15 Years**

(21) Appl. No.: **29/618,725**

(22) Filed: **Sep. 22, 2017**

(51) **LOC (12) Cl.** **12-16**

(52) **U.S. Cl.**

USPC **D12/406**

(58) **Field of Classification Search**

USPC D12/400-406; D6/610-611

CPC B60R 9/00; B60R 9/02; B60R 9/04; B60R 9/08; B60R 9/042; B60R 9/0423; B60R 9/0426; B60R 9/045; B60R 9/048; B60R 9/0485; B60R 9/05; B60R 9/052; B60R 9/055; B60R 9/058; B60R 9/06; B60R 9/065; B60R 9/10; B60R 9/12

See application file for complete search history.

(56) **References Cited**

U.S. PATENT DOCUMENTS

D459,287 S *	6/2002	Beard	D12/406
D528,965 S *	9/2006	Wang	D12/406
D586,287 S *	2/2009	McBride	D12/106
D593,927 S *	6/2009	Walton	D12/406
D660,748 S *	5/2012	Cooley	D12/101

(Continued)

Primary Examiner — Katrina A Betton

(74) *Attorney, Agent, or Firm* — David W. Carstens;
Carstens & Cahoon, LLP

(57) **CLAIM**

The ornamental design for a utility vehicle loading rack, as shown and described.

DESCRIPTION

FIG. 1 is a perspective view of the utility vehicle loading rack having a frame, a rack and a lifting handle elements; FIG. 2 is a top view of the rack and lifting handle elements; FIG. 3 is a bottom view of the frame, rack and lifting handle elements;

FIG. 4 is a side view of the frame, rack and lifting handle elements;

FIG. 5 is a side view of the frame, rack and lifting handle elements;

FIG. 6 is a back view of the frame, rack and lifting handle elements;

FIG. 7 is a front view of the frame, rack and lifting handle elements;

FIG. 8 is a perspective view of the frame, rack and lifting handle elements in a raised position on a utility vehicle;

FIG. 9 is a perspective view of the frame, rack and lifting handle elements in a lowered position on a utility vehicle;

FIG. 10 is a perspective view of the utility vehicle loading rack having a frame, a rack and a lifting handle elements;

FIG. 11 is a top view of the rack and lifting handle elements;

FIG. 12 is a bottom view of the frame, rack and lifting handle elements;

FIG. 13 is a side view of the frame, rack and lifting handle elements;

FIG. 14 is a side view of the frame, rack and lifting handle elements;

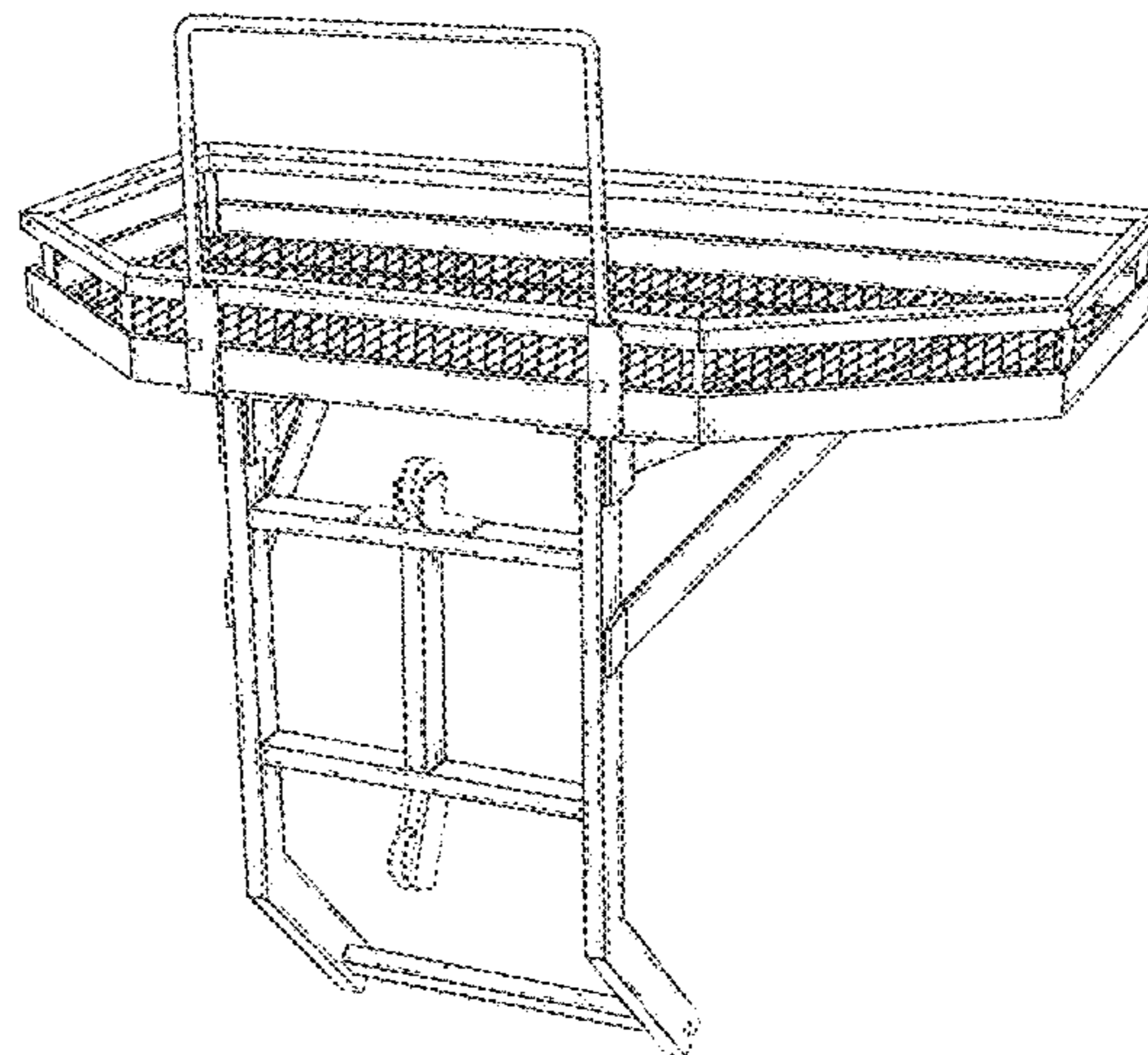
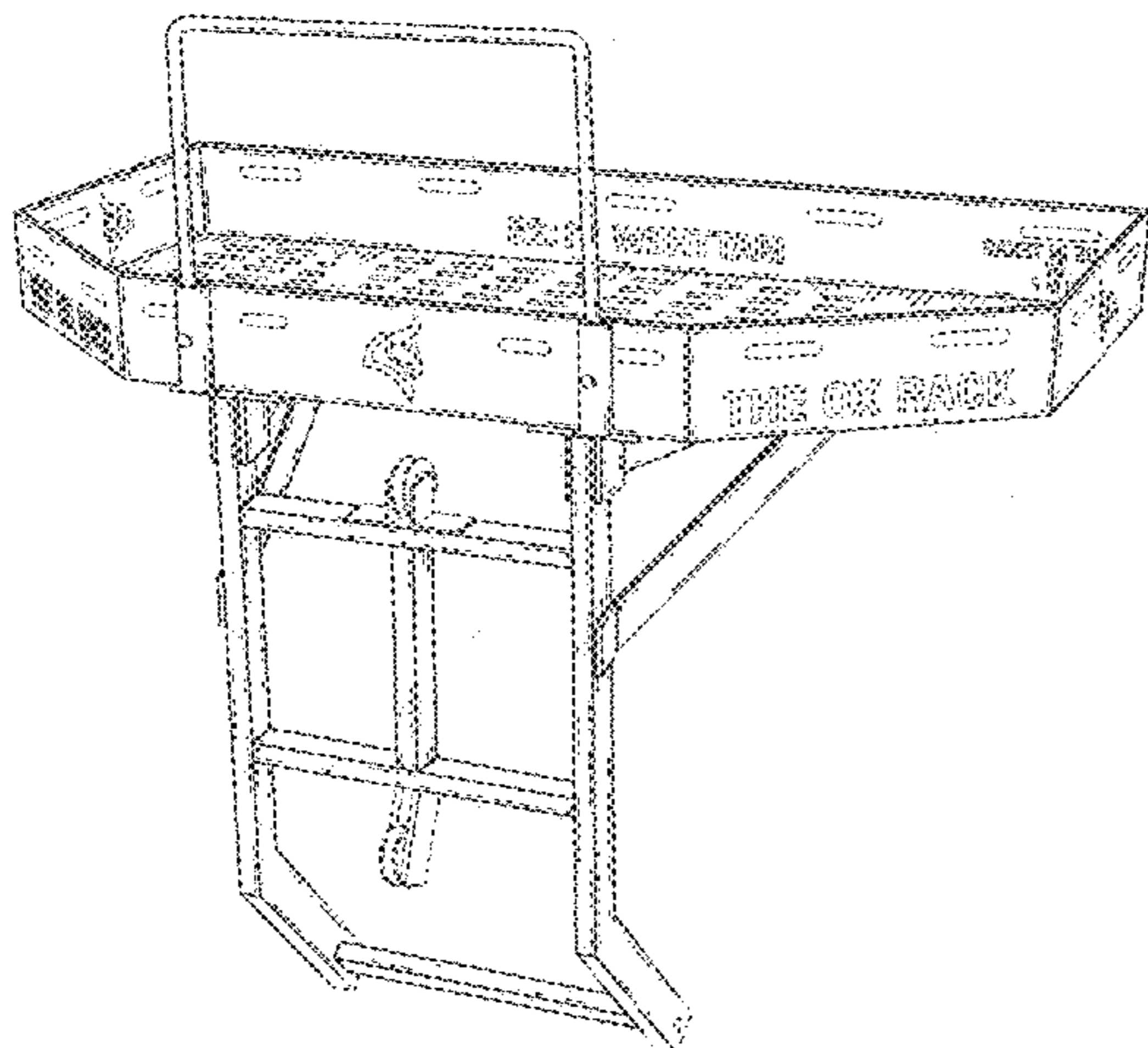
FIG. 15 is a back view of the frame, rack and lifting handle elements;

FIG. 16 is a front view of the frame, rack and lifting handle elements;

FIG. 17 is a perspective view of the frame, rack and lifting handle elements in a raised position on a utility vehicle; and,

FIG. 18 is a perspective view of the frame, rack and lifting handle elements in a lowered position on a utility vehicle.

1 Claim, 12 Drawing Sheets



(56)

References Cited

U.S. PATENT DOCUMENTS

D713,775 S *	9/2014	Lagermann	D12/406
D743,870 S *	11/2015	Galley	D12/406
D754,055 S *	4/2016	Harrison	D12/406
D755,686 S *	5/2016	Clark	D12/406
D790,433 S *	6/2017	Descoteaux	D12/406
D808,888 S *	1/2018	Puchkoff	D12/406
D817,852 S *	5/2018	Mifsud	D12/406

* cited by examiner

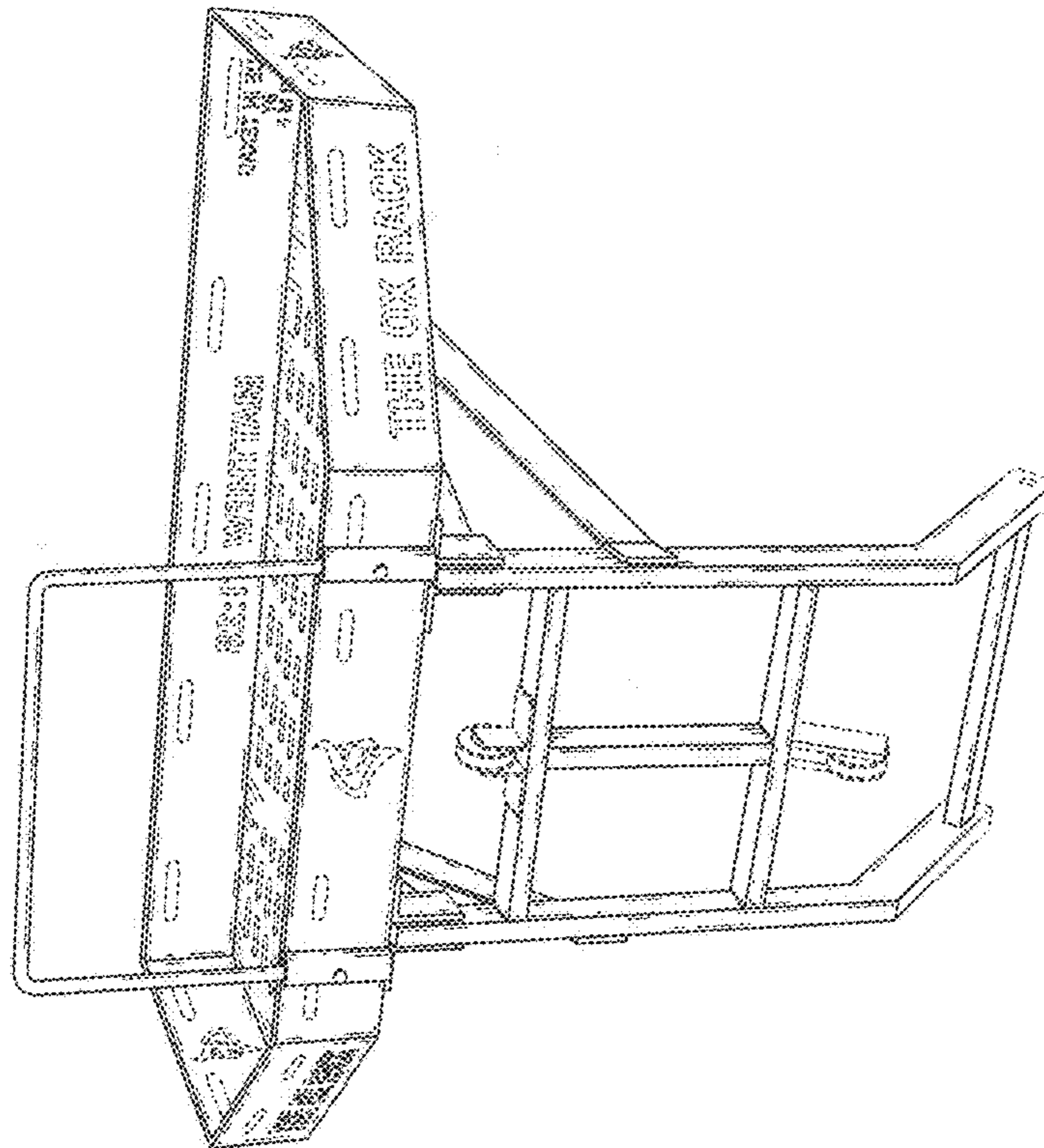


FIG. 1

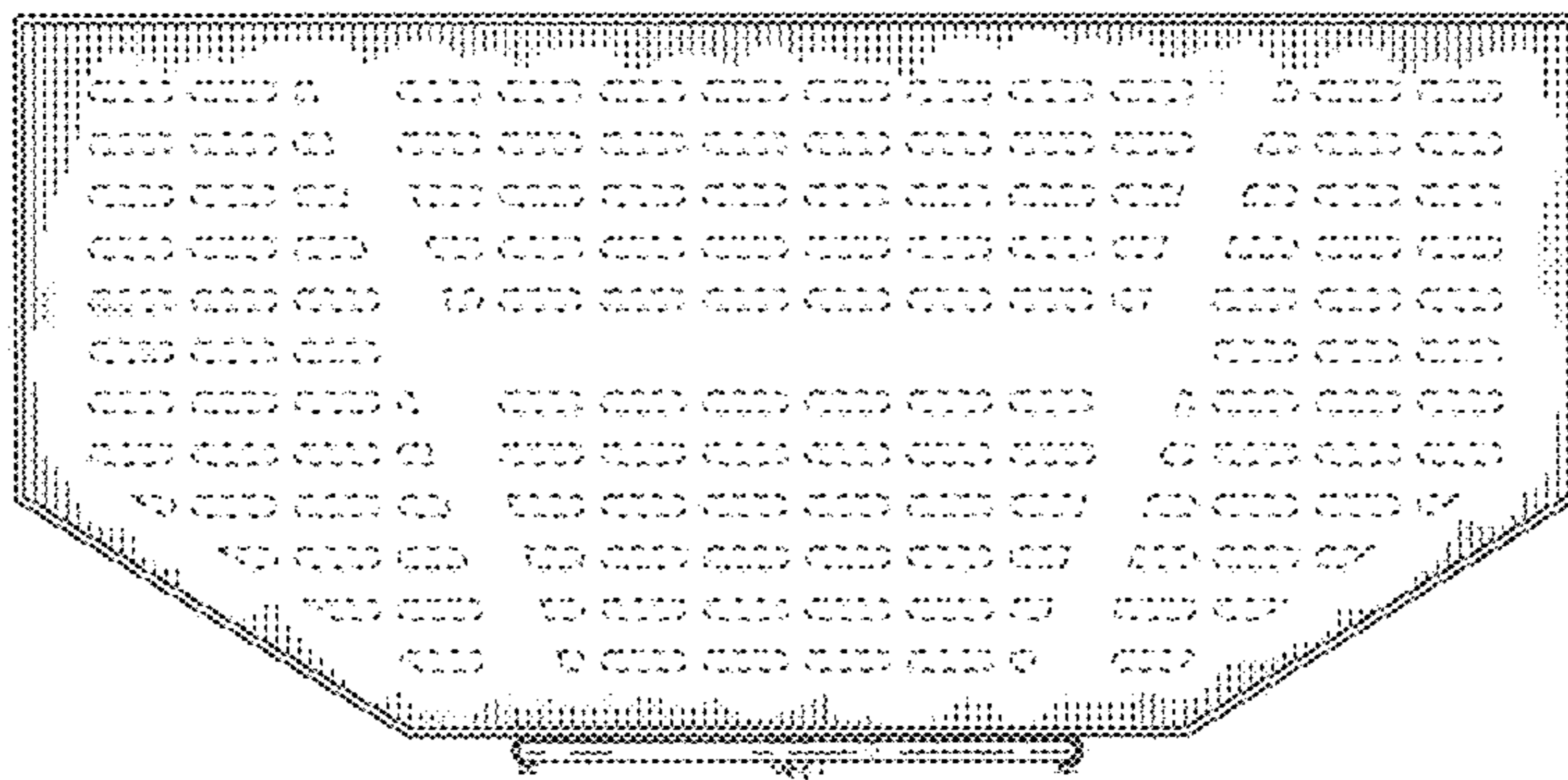


FIG. 2

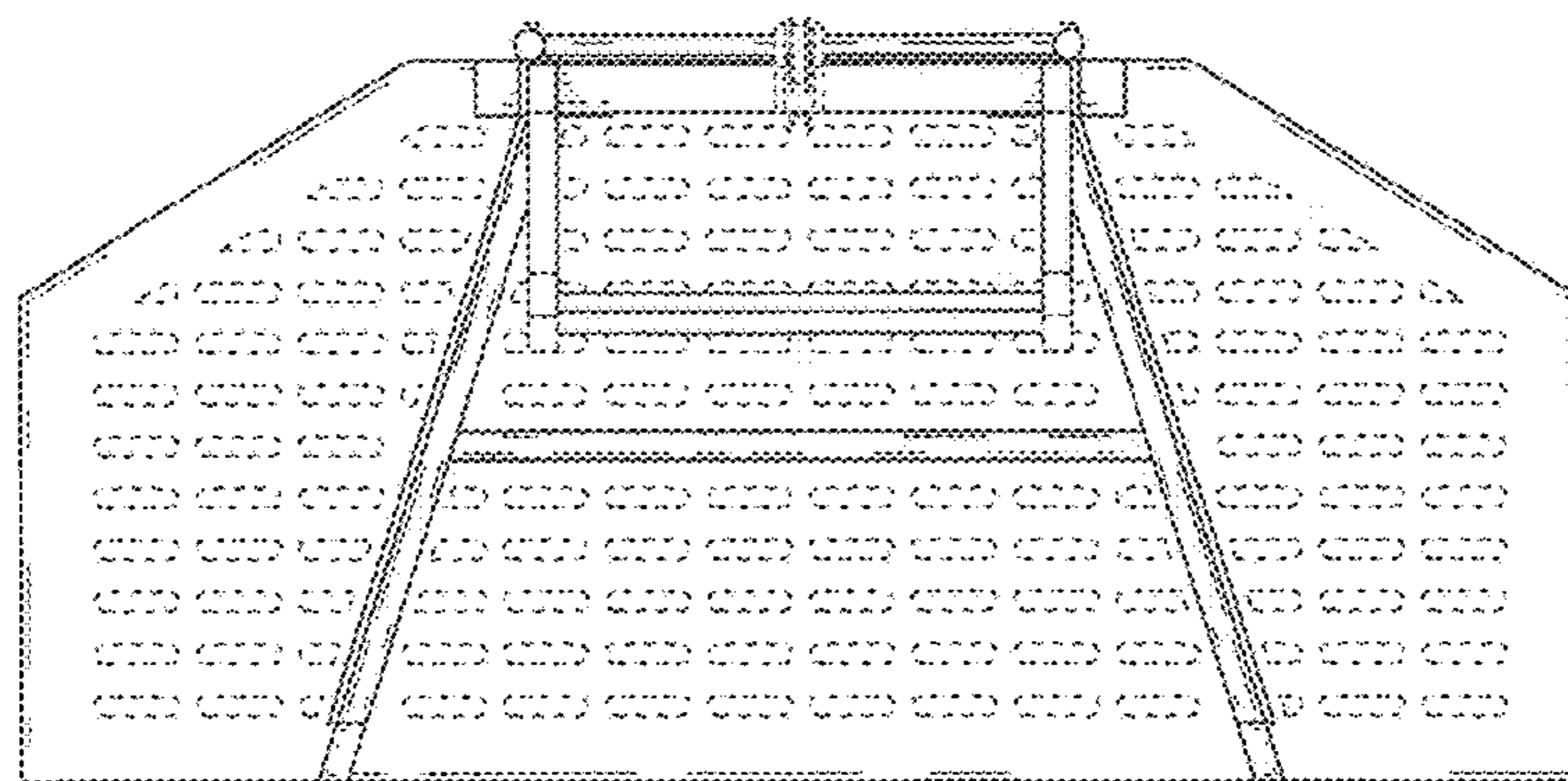


FIG. 3

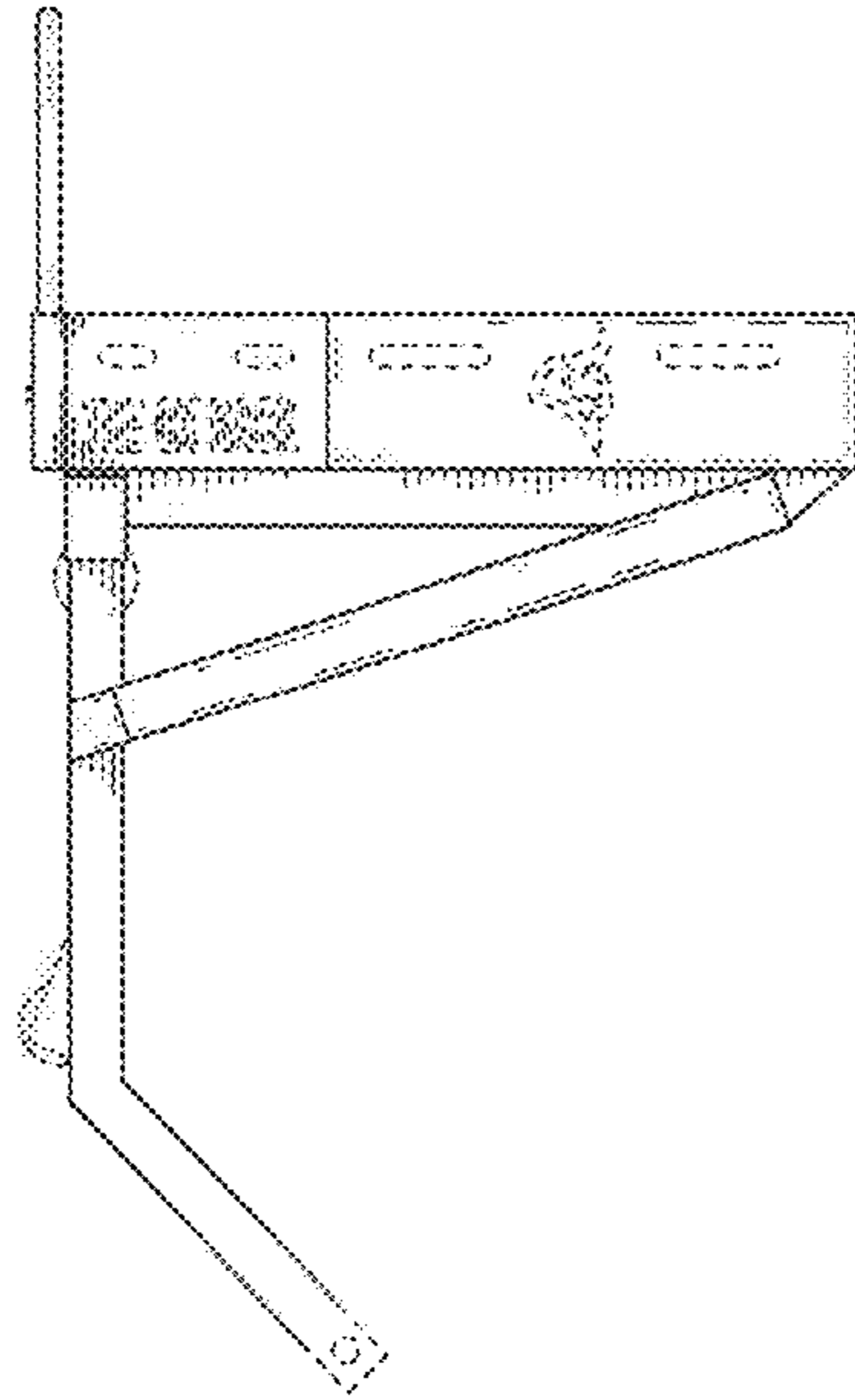


FIG. 4

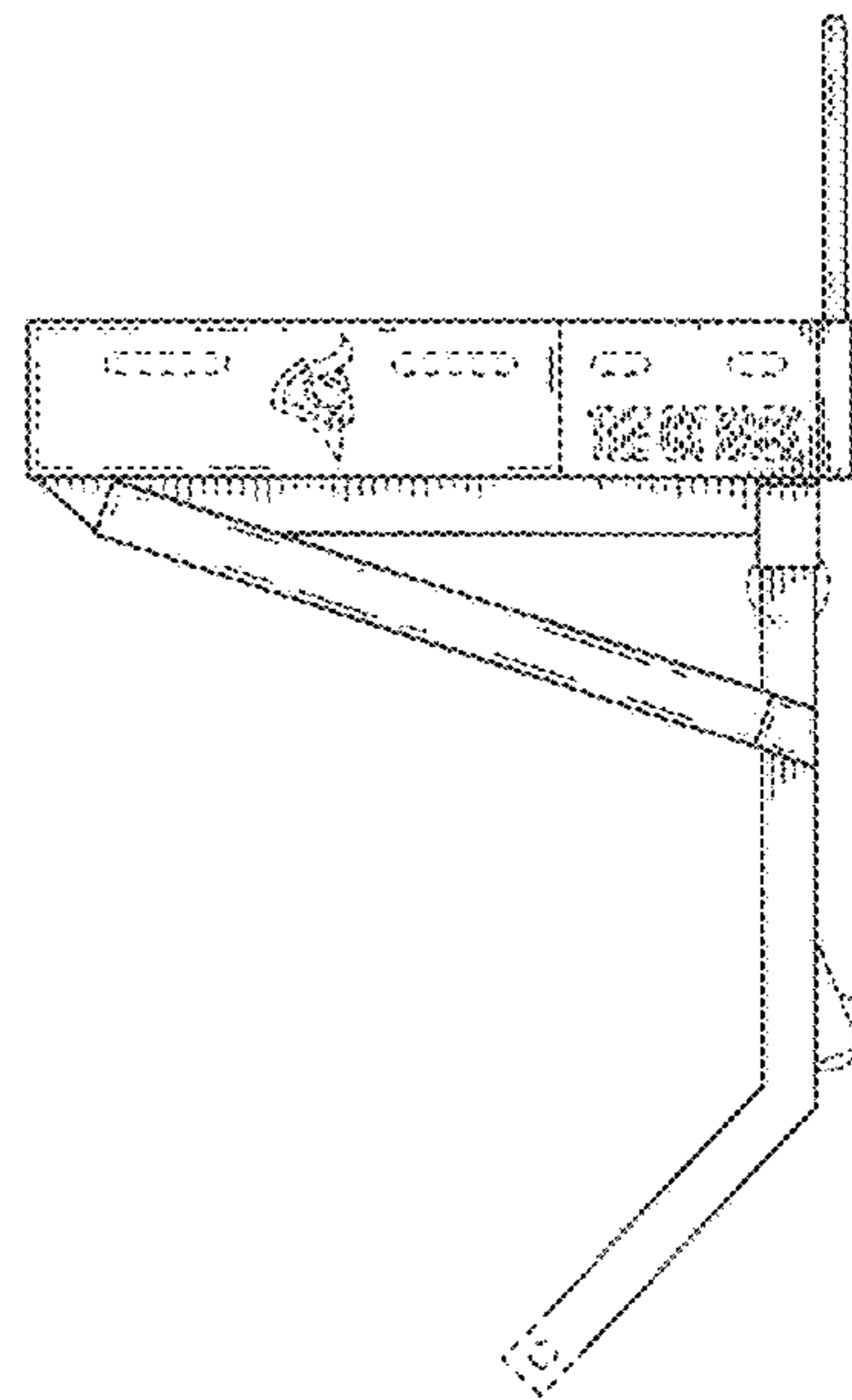


FIG. 5

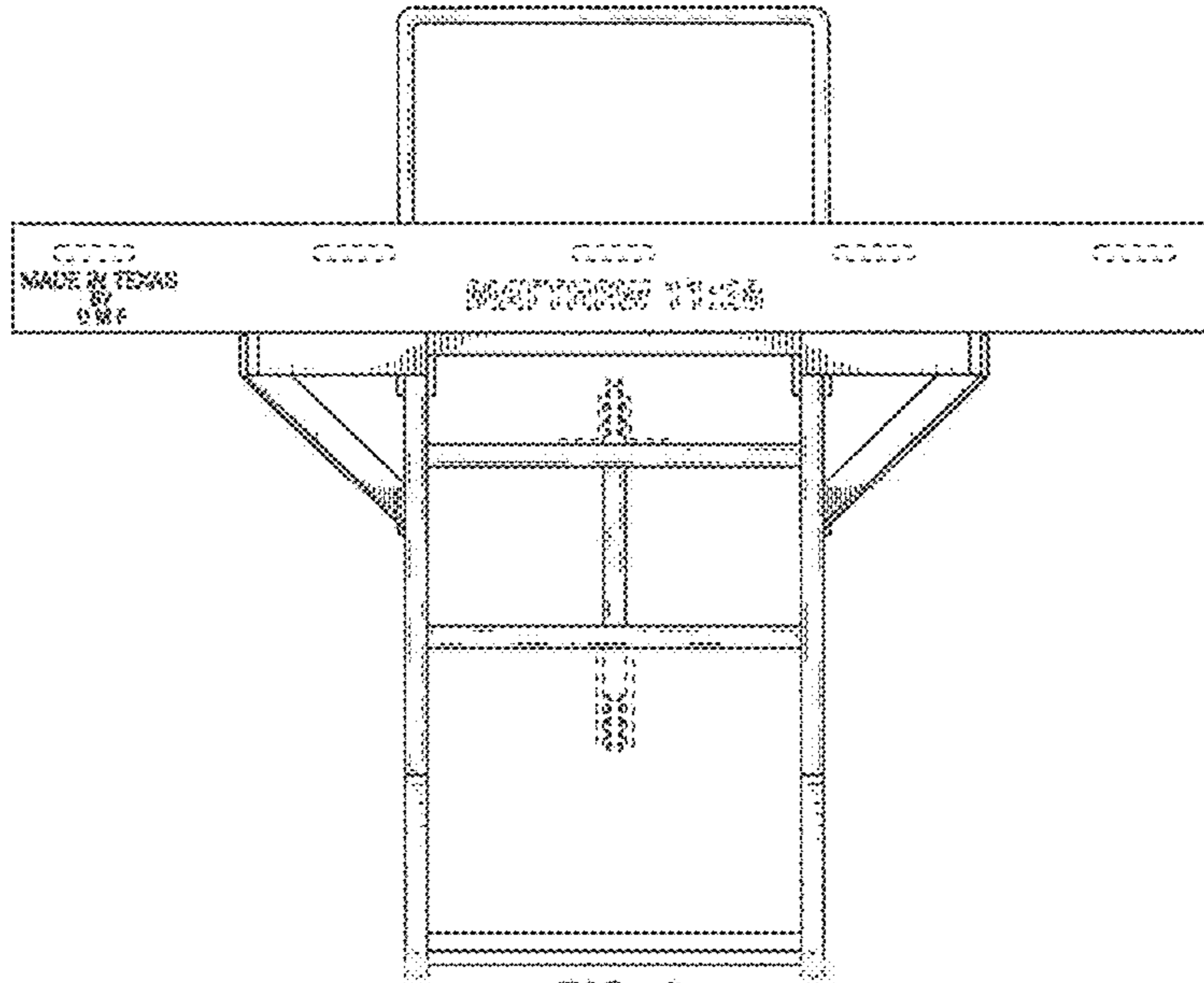


FIG. 6

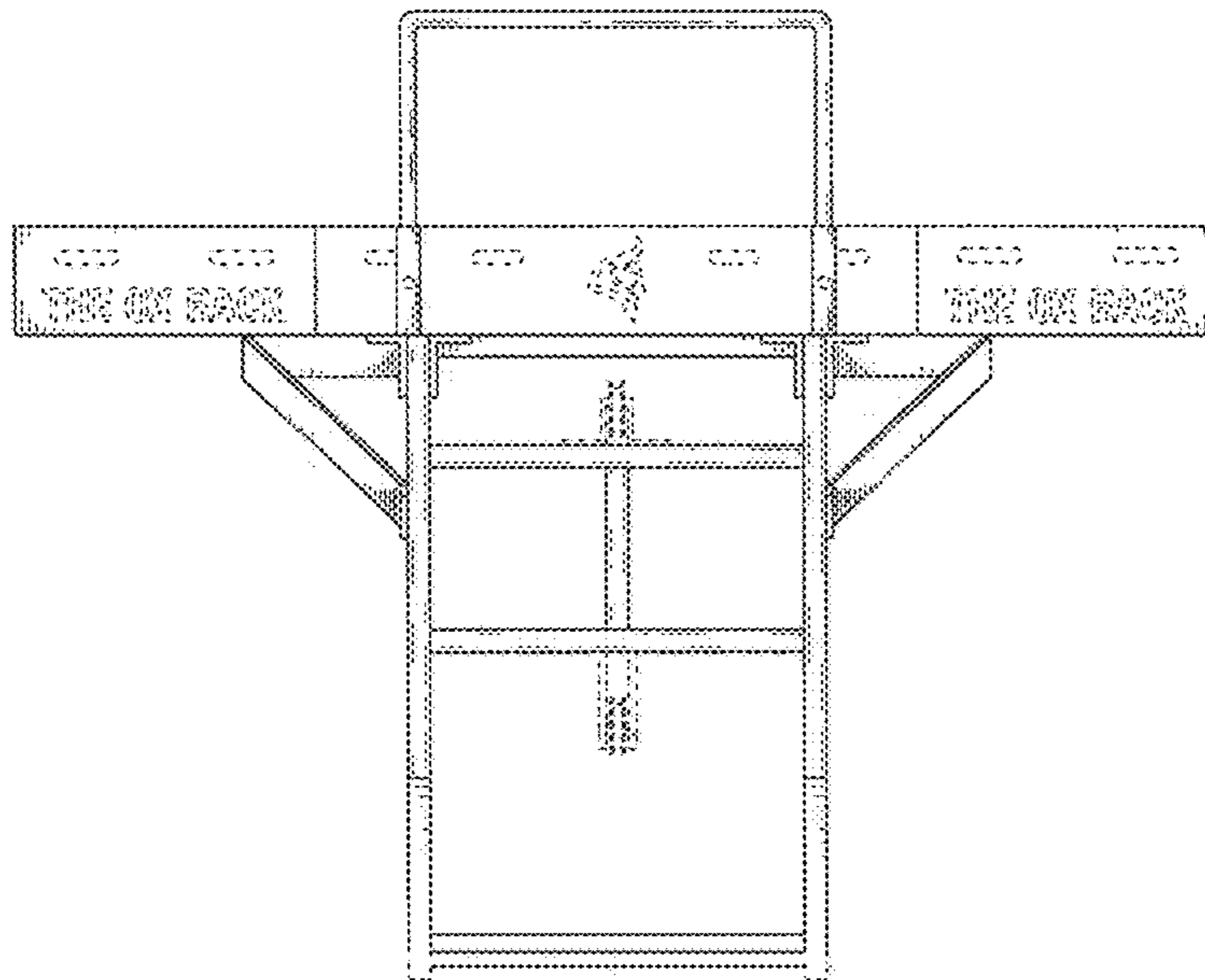


FIG. 7

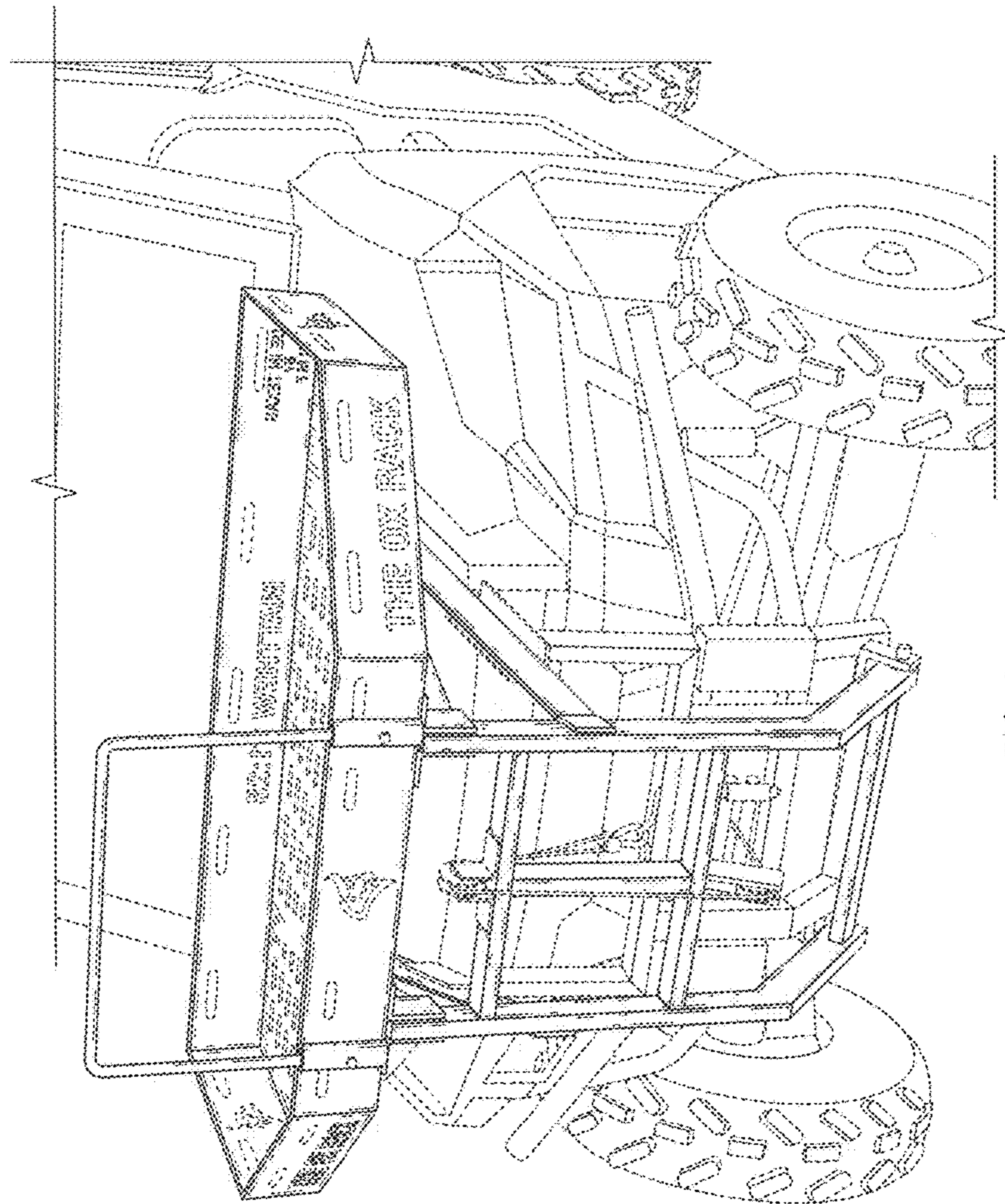


FIG. 8

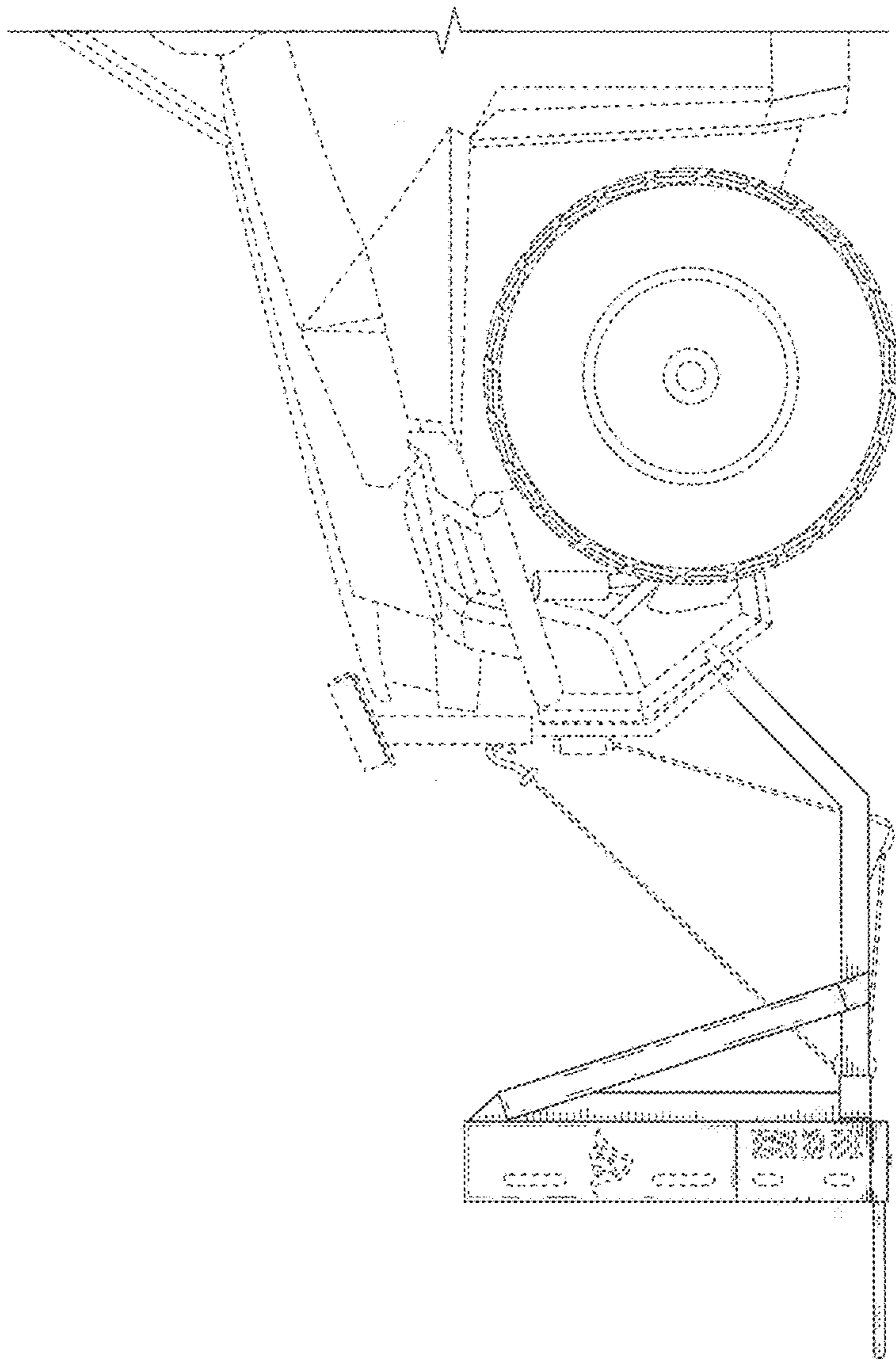


FIG. 9

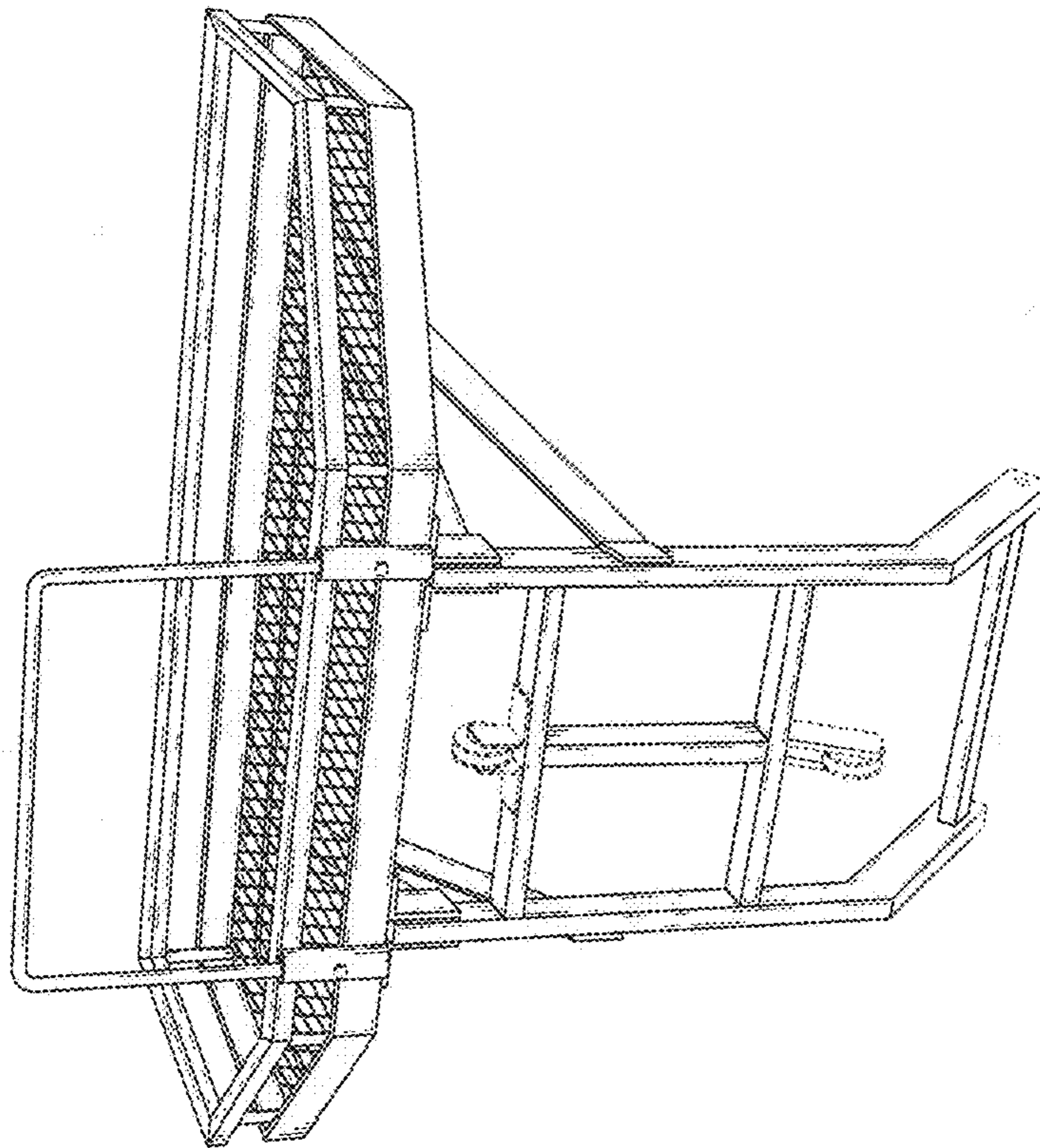


FIG. 10

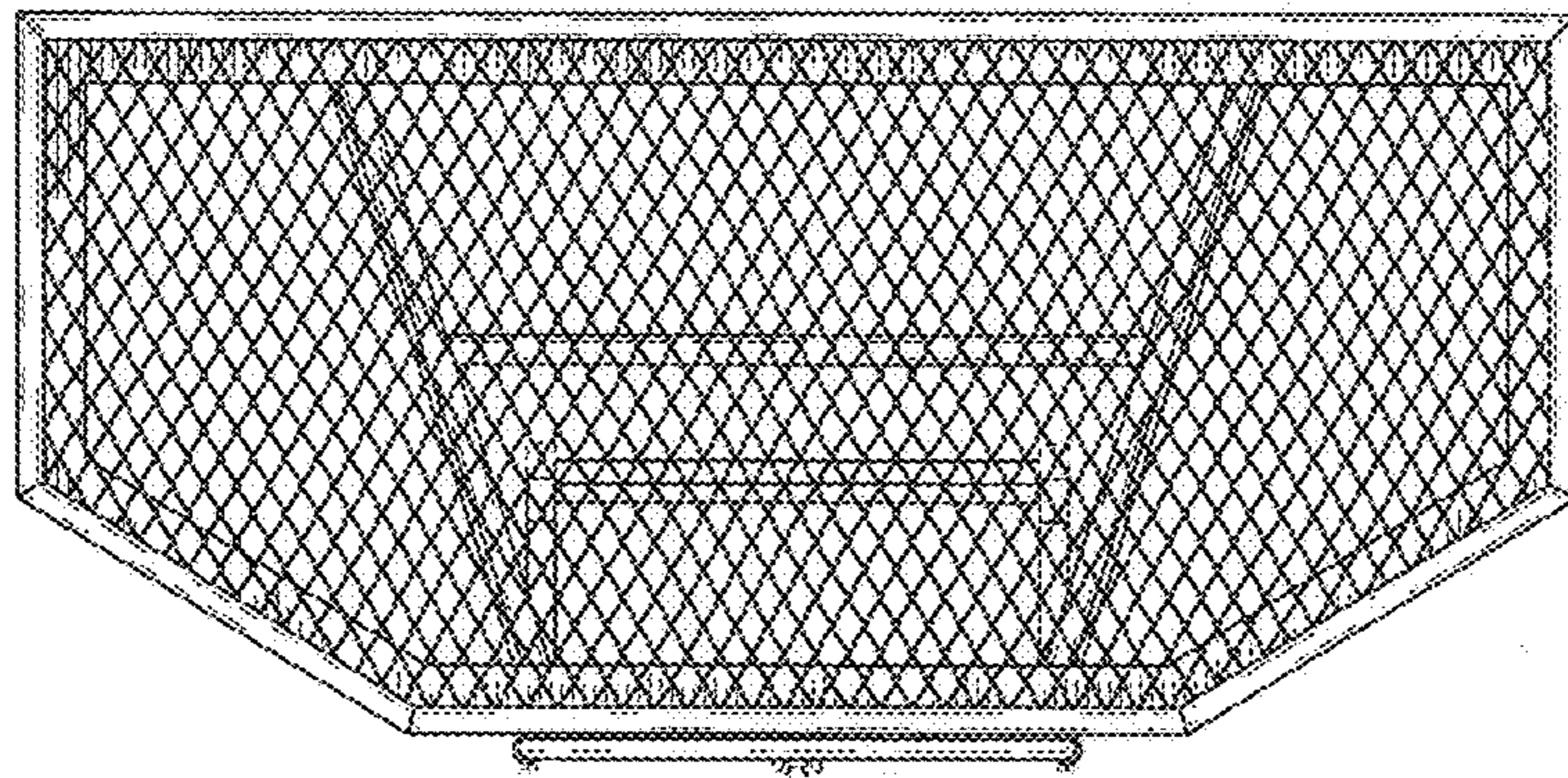


FIG. 11

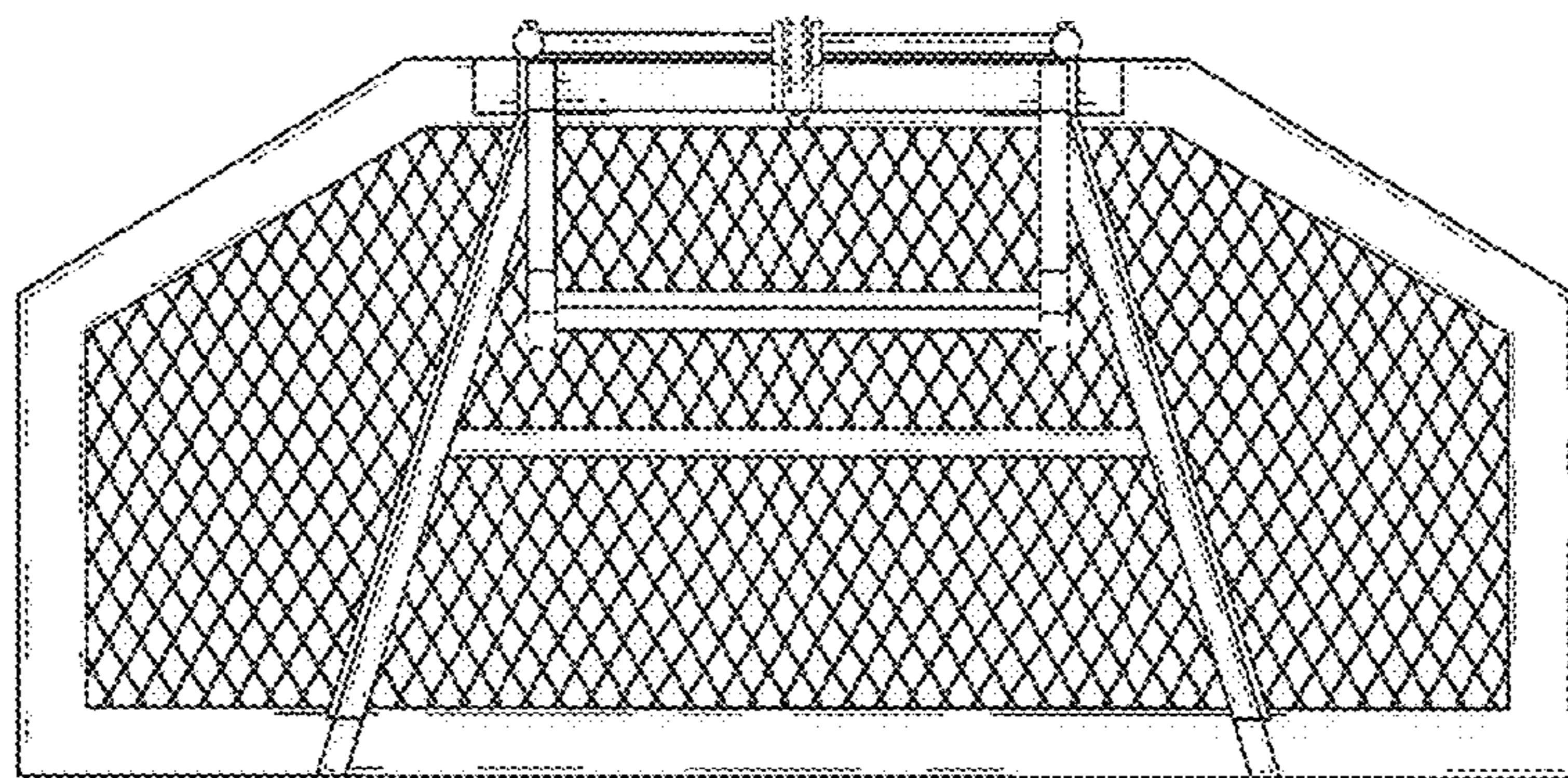


FIG. 12

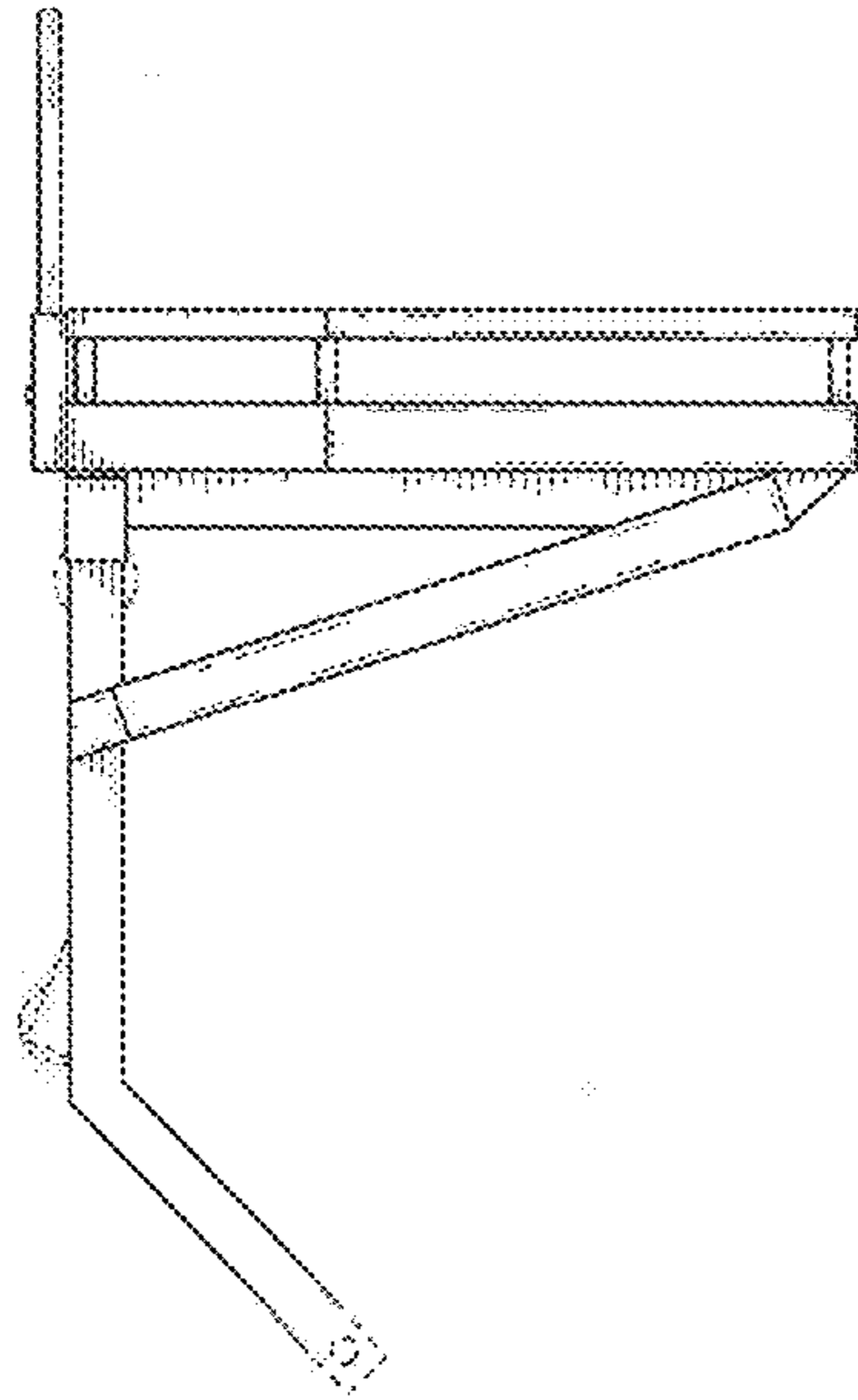


FIG. 13

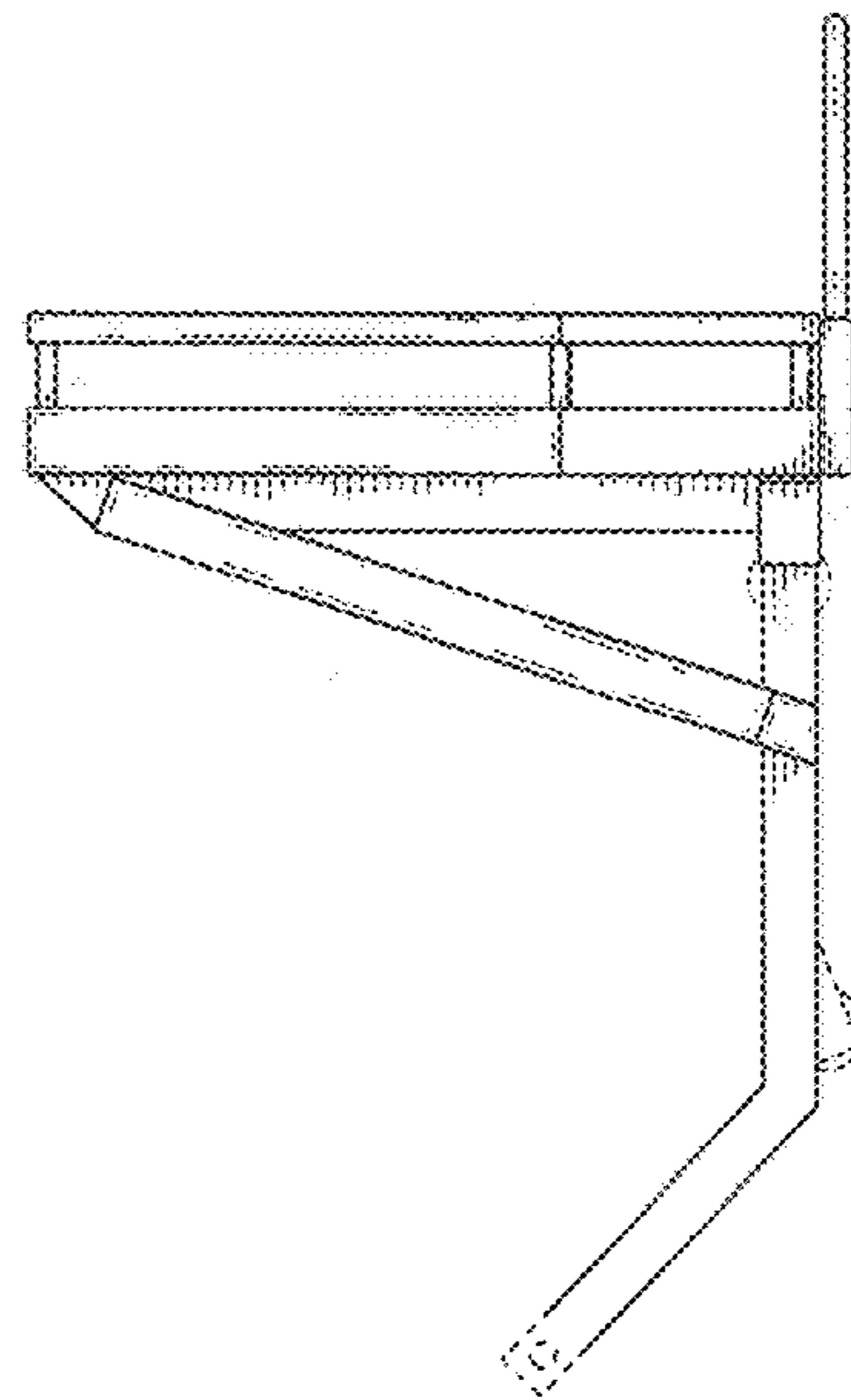


FIG. 14

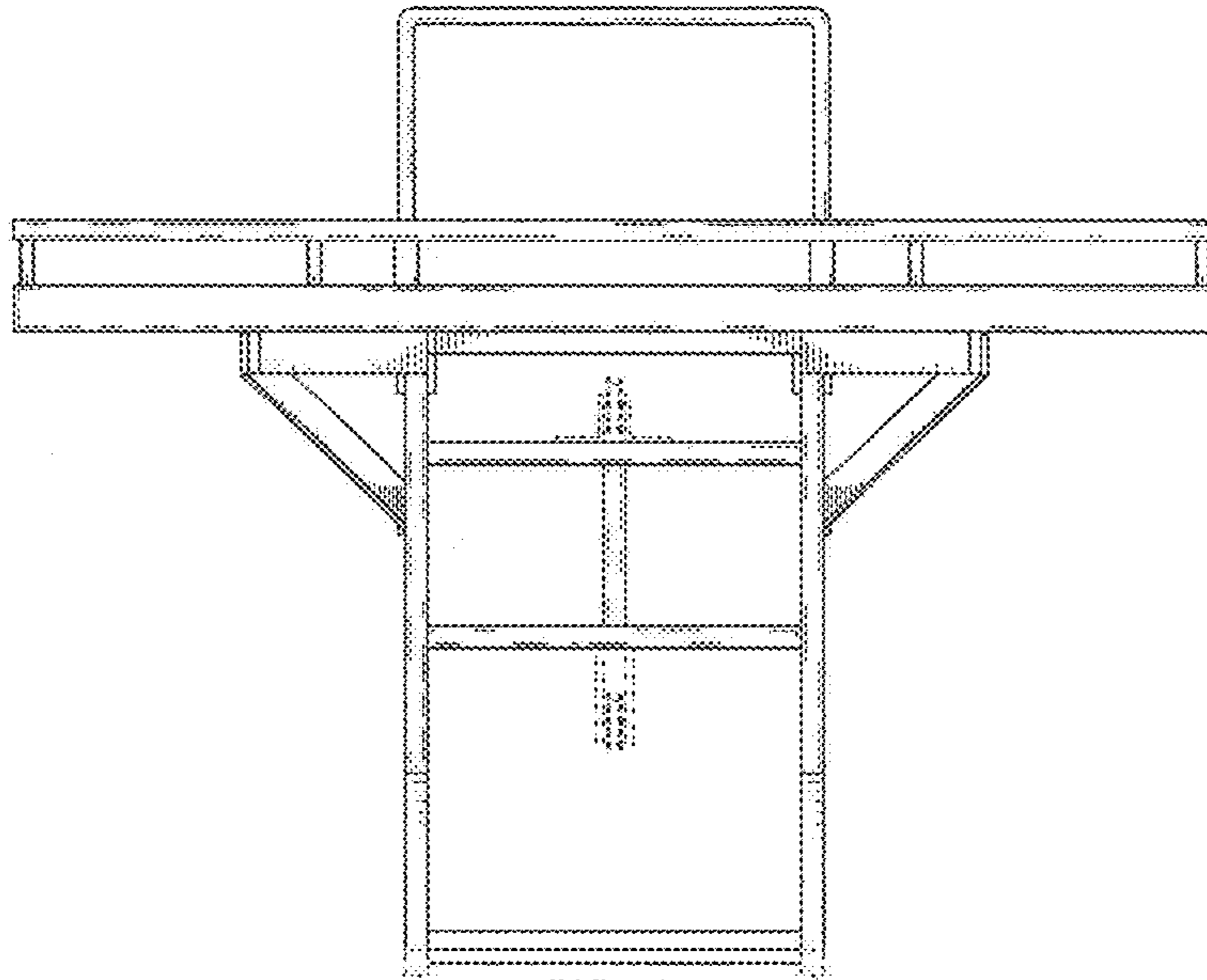


FIG. 15

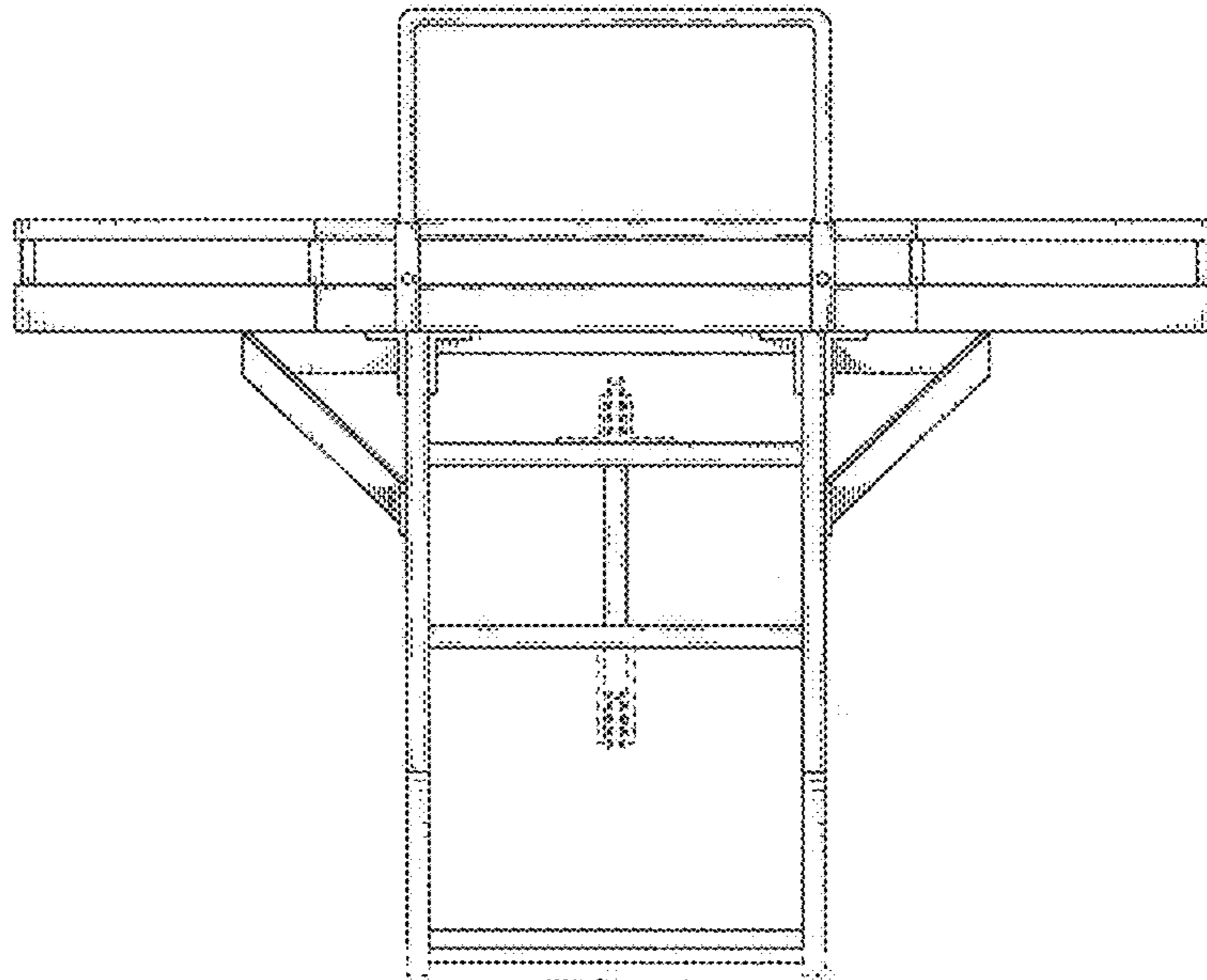


FIG. 16

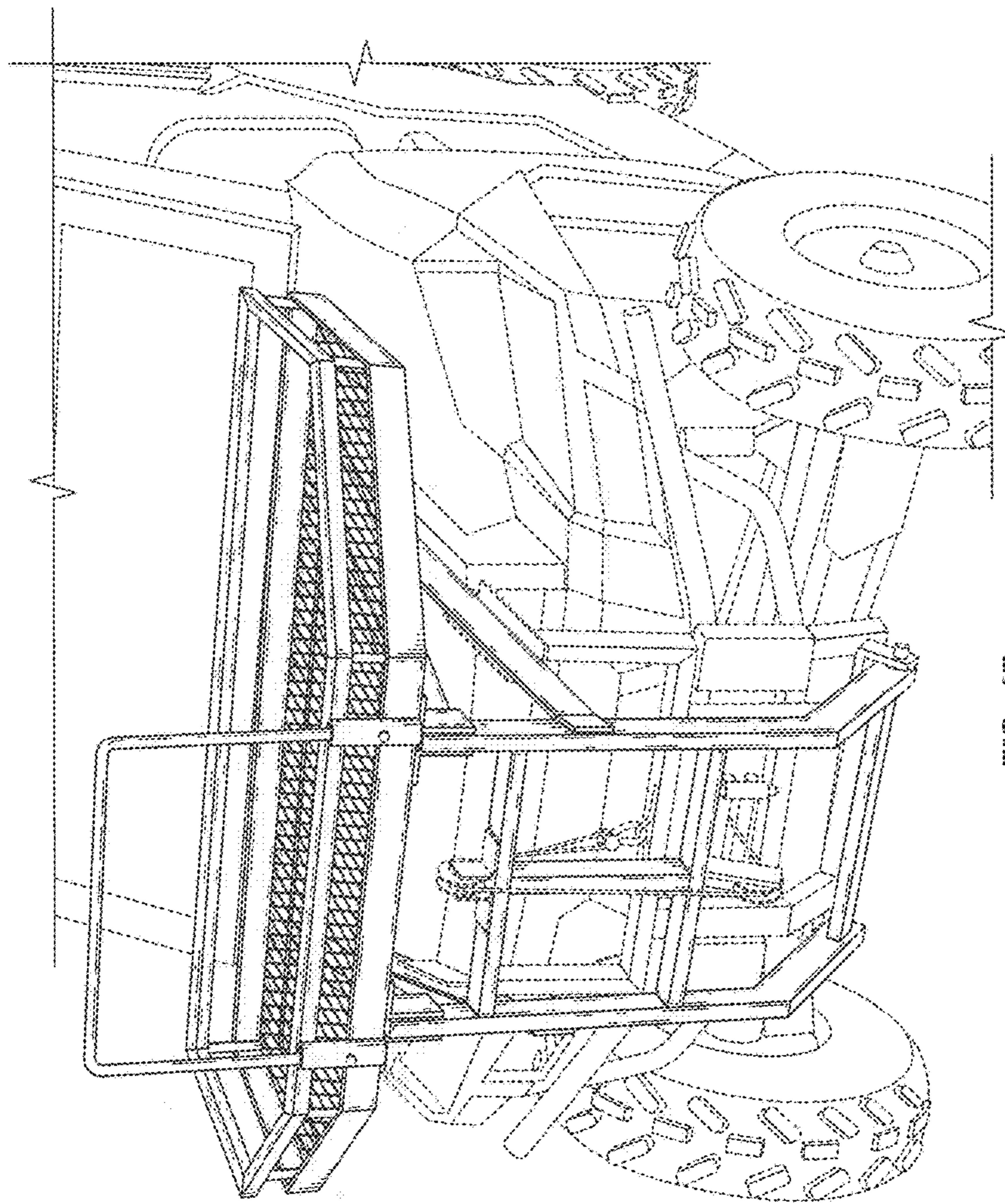


FIG. 17

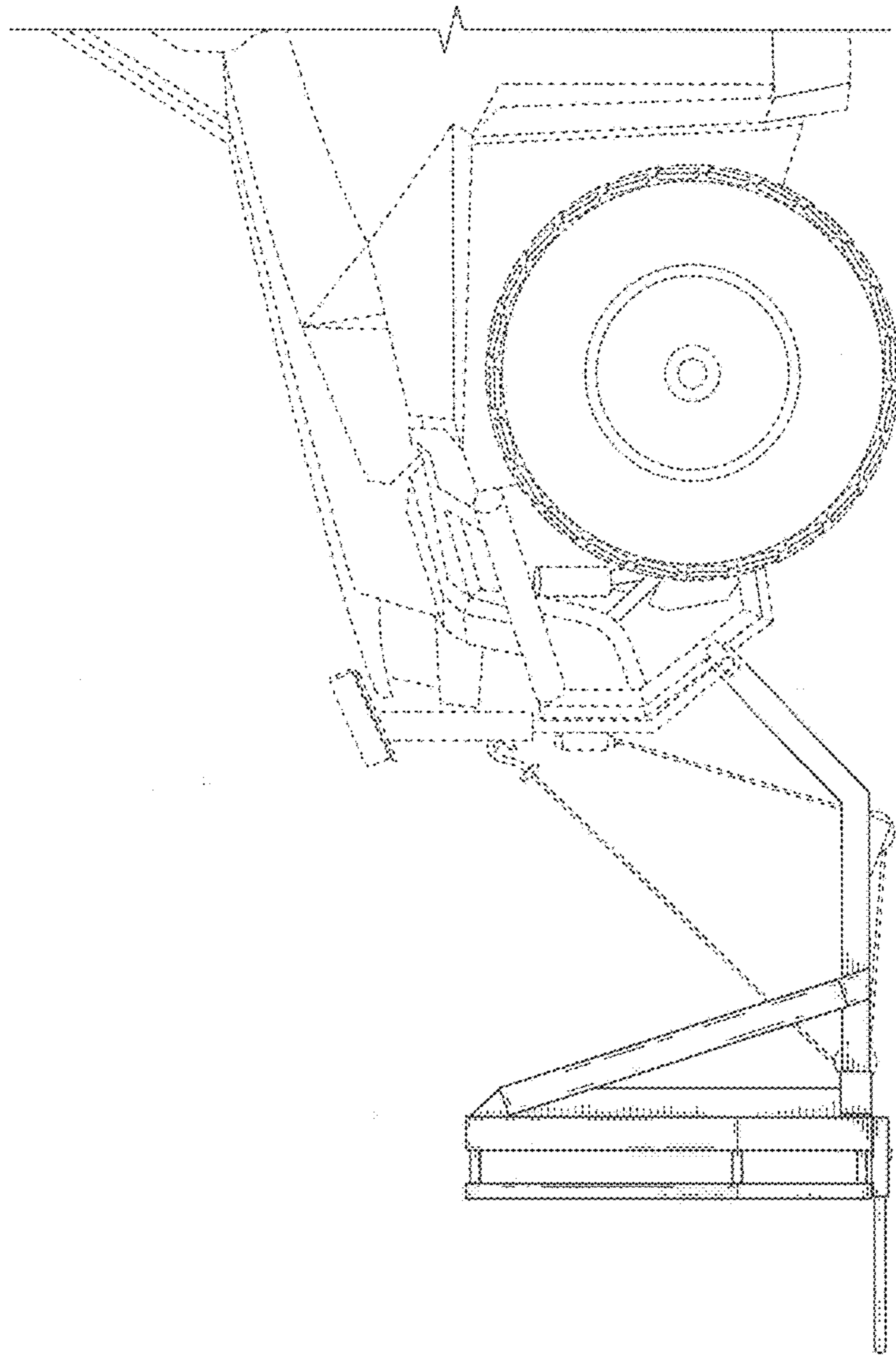


FIG. 18

UNITED STATES PATENT AND TRADEMARK OFFICE
CERTIFICATE OF CORRECTION

PATENT NO. : D856,900 S
APPLICATION NO. : 29/618725
DATED : August 20, 2019
INVENTOR(S) : Barret Baumann

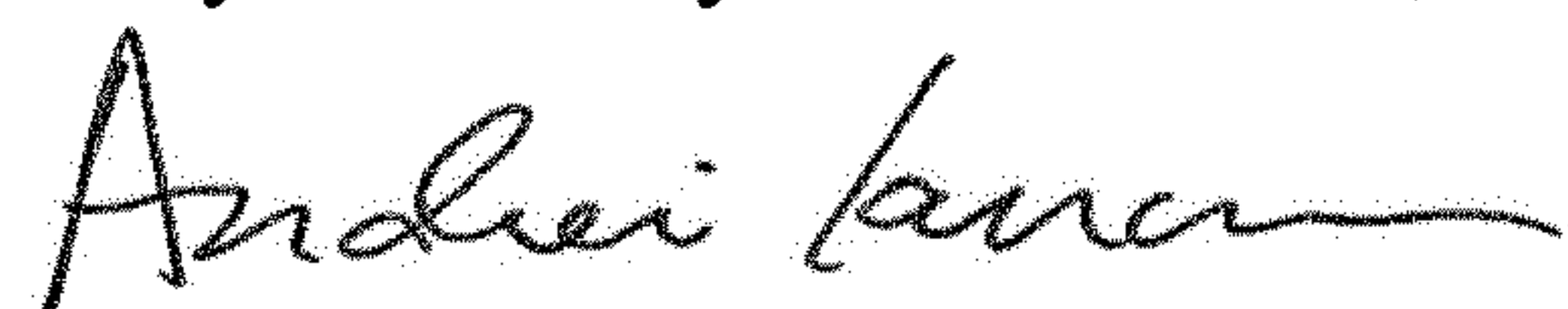
Page 1 of 1

It is certified that error appears in the above-identified patent and that said Letters Patent is hereby corrected as shown below:

On the Title Page

The name of the Applicant "Matt 18:20, LLC, Rockwall, TX (US)" should be corrected to read
"Barret Baumann, New Braunfels, TX (US)"

Signed and Sealed this
Twenty-sixth Day of November, 2019



Andrei Iancu
Director of the United States Patent and Trademark Office