



US00D856899S

(12) **United States Design Patent** (10) **Patent No.:** **US D856,899 S**
Evulet et al. (45) **Date of Patent:** **** Aug. 20, 2019**

(54) **AIRFRAME FOR AN UNMANNED AERIAL VEHICLE**

(71) Applicant: **JETOPTERA, INC.**, Edmonds, WA (US)

(72) Inventors: **Andrei Evulet**, Edmonds, WA (US);
Tyler Smallwood, Edmonds, WA (US)

(73) Assignee: **Jetoptera, Inc.**, Edmonds, WA (US)

(**) Term: **15 Years**

(21) Appl. No.: **29/625,624**

(22) Filed: **Nov. 10, 2017**

(51) **LOC (12) Cl.** **12-07**

(52) **U.S. Cl.**
USPC **D12/335**

(58) **Field of Classification Search**
USPC D12/16.1, 319–345, 1–4; D21/436–454
CPC ... B64C 29/00; B64C 2201/141; B64C 27/24;
B64C 27/30; B64C 39/04; B64C 29/0033;
B64C 29/0025

See application file for complete search history.

(56) **References Cited**

U.S. PATENT DOCUMENTS

D82,314 S * 10/1930 Christmas D12/335
D91,444 S * 1/1934 Shelton D12/335
D97,361 S * 10/1935 Swanson D12/335
D97,652 S * 11/1935 Swanson D12/335
D98,660 S * 2/1936 Burnelli D12/335
D100,608 S * 7/1936 Taylor et al. D12/335
D100,609 S * 7/1936 Wilson et al. D12/335
D101,928 S * 11/1936 Wilson et al. D12/331
D103,290 S * 2/1937 Wendt D12/324
D106,275 S * 10/1937 Bellanca D12/335
D112,834 S * 1/1939 Seversky 244/45 R
2,147,968 A * 2/1939 Delanne B64C 39/00
244/119
D113,649 S * 3/1939 Abrams 244/91

D114,122 S * 4/1939 Martin 244/105
D114,626 S * 5/1939 Taylor et al. 244/119
D115,854 S * 7/1939 Loudy 244/13
D119,714 S * 3/1940 Hibbard 244/13
D123,427 S * 11/1940 Brandrup D12/335
D126,067 S * 3/1941 Boushey D12/335
D129,412 S * 9/1941 Nebesar D12/324
D130,651 S * 12/1941 Silverstein 244/13
RE22,029 E * 2/1942 Nebesar B64C 39/04
244/13

(Continued)

FOREIGN PATENT DOCUMENTS

EM 004937027-0001 * 3/2018
EM 004937027-0002 * 3/2018
EM 005805686-0001 * 10/2018

OTHER PUBLICATIONS

Revolutionary Propulsion System by Jetoptera. earliest date Jan. 14, 2018. found online [Nov. 26, 2018] <http://jetoptera.com/news/>.*

(Continued)

Primary Examiner — Marissa J Cash
(74) *Attorney, Agent, or Firm* — Foster Pepper PLLC

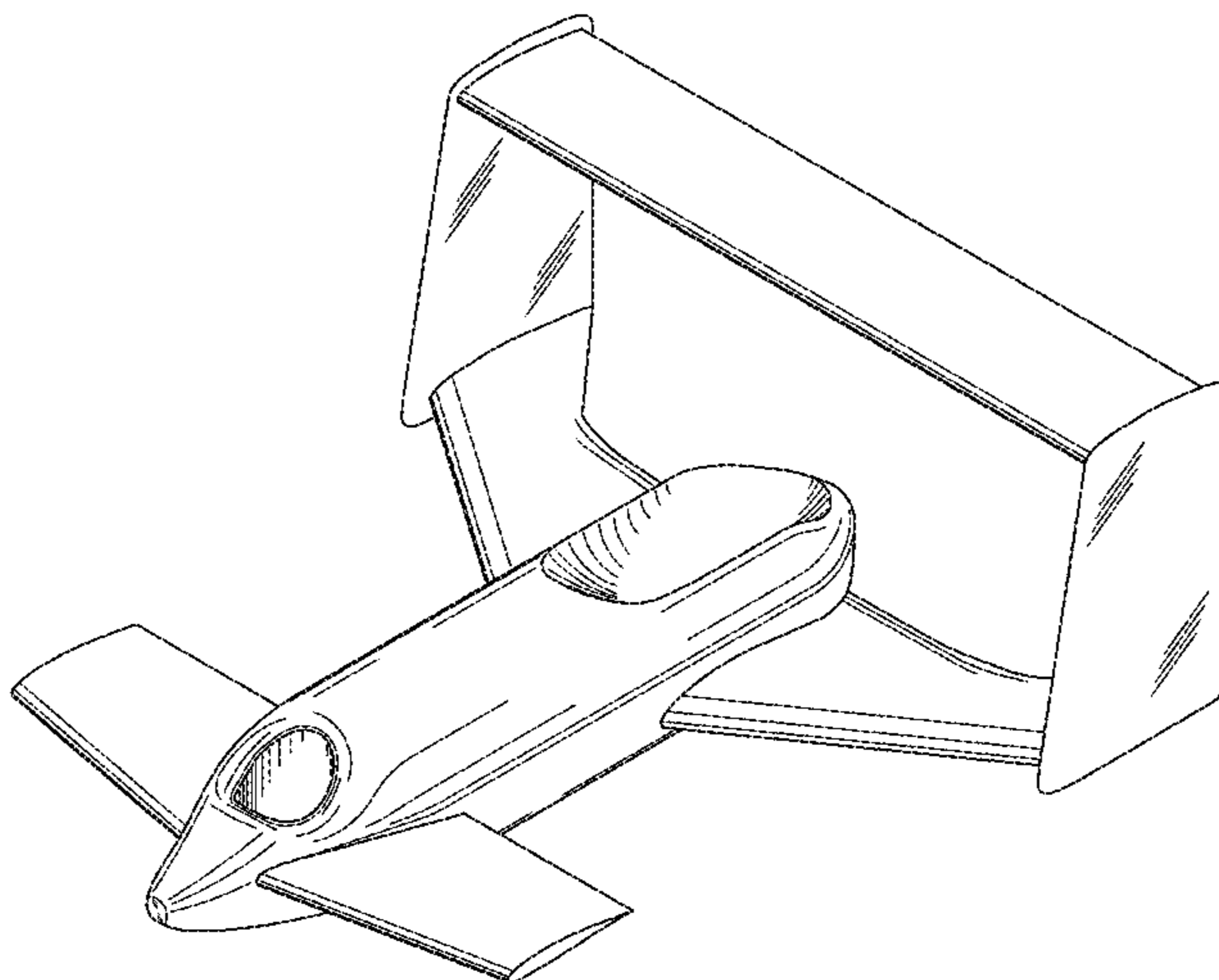
(57) **CLAIM**

We claim the ornamental design for an airframe for an unmanned aerial vehicle, as shown.

DESCRIPTION

FIG. 1 is a front perspective view of an airframe for an unmanned aerial vehicle, showing my new design;
FIG. 2 is a top plan view thereof;
FIG. 3 is a bottom plan view thereof;
FIG. 4 is a left side elevation view thereof;
FIG. 5 is a right side elevation view thereof;
FIG. 6 is a front elevation view thereof; and,
FIG. 7 is a rear elevation view thereof.

1 Claim, 7 Drawing Sheets



(56)

References Cited

U.S. PATENT DOCUMENTS

D133,126 S * 7/1942 Woods D12/335
 D133,777 S * 9/1942 Gardenhire 244/49
 D135,994 S * 7/1943 Floren 244/215
 D135,995 S * 7/1943 Floren 244/215
 D136,078 S * 8/1943 Novikoff 244/106
 D136,249 S * 8/1943 Burnelli D12/333
 D136,296 S * 8/1943 Szyner 244/16
 D138,102 S * 6/1944 Kelly 244/106
 D138,217 S * 7/1944 Van Zelm 244/13
 D138,218 S * 7/1944 Van Zelm 244/13
 D138,795 S * 9/1944 Stoughton 244/45 R
 D139,028 S * 10/1944 Stout 244/45 R
 D139,438 S * 11/1944 Hughes et al. 244/13
 D140,113 S * 1/1945 Biasell 244/13
 D140,220 S * 1/1945 Thieblot 244/45 R
 D143,729 S * 2/1946 Hall et al. 244/74
 D143,730 S * 2/1946 Hall et al. 244/74
 D143,731 S * 2/1946 Hall et al. 244/74
 D143,732 S * 2/1946 Hall et al. 244/74
 D143,820 S * 2/1946 Hibbard et al. 244/13
 D144,211 S * 3/1946 Northrop et al. 244/37
 D144,938 S * 6/1946 Schmued 244/36
 D148,595 S * 2/1948 Thieblot 244/45 R
 D157,645 S * 3/1950 Thieblot D12/335
 D159,110 S * 6/1950 Thieblot 244/13
 D159,198 S * 7/1950 Greenwood et al. D12/335
 D160,841 S * 11/1950 Burnelli 244/13
 D160,842 S * 11/1950 Burnelli 244/13
 D162,517 S * 3/1951 Burnelli 244/13
 D163,722 S * 6/1951 Vinje 244/2
 D164,371 S * 8/1951 Voque D12/335
 D164,843 S * 10/1951 Burnelli D12/333
 2,752,114 A * 6/1956 Calvy B60J 5/125
 244/118.3
 D179,811 S * 3/1957 Messerschmid D12/327
 D185,535 S * 6/1959 Coleman D12/333
 D185,546 S * 6/1959 Geraci 244/45 R
 D190,534 S * 6/1961 Smolinski D12/330
 3,017,139 A * 1/1962 Binder B64C 39/062
 244/12.6
 D192,195 S * 2/1962 Stepniewski D12/330
 D192,337 S * 3/1962 Skaggs D12/335
 D192,665 S * 4/1962 Stepniewski D12/335
 3,049,320 A * 8/1962 Fletcher B64C 29/0033
 244/12.4
 D197,933 S * 4/1964 Sumner D12/324
 D202,260 S * 9/1965 McConologue D12/335
 D203,283 S * 12/1965 Woods 244/13
 D203,720 S * 2/1966 Jarchow D12/335
 D231,603 S * 5/1974 Krivka D12/327
 3,834,654 A * 9/1974 Miranda B64C 39/068
 244/13
 D238,888 S * 2/1976 Bradley D21/833
 D239,274 S * 3/1976 Snyder D12/335
 D239,522 S * 4/1976 Wheatley D12/335
 D240,909 S * 8/1976 Whitener D12/335
 D245,157 S * 7/1977 Seidel D12/333
 D250,727 S * 1/1979 Venditti D21/450
 D250,786 S * 1/1979 Venditti D21/450
 D250,852 S * 1/1979 Maloney, II D21/450
 4,298,175 A * 11/1981 Earl B60V 3/08
 244/100 A
 D268,107 S * 3/1983 Enav 244/15
 D273,005 S * 3/1984 McComas D12/335
 D274,510 S * 7/1984 McComas D12/338
 D286,871 S * 11/1986 Bunyard D12/324
 D292,203 S * 10/1987 Ligeti D12/319
 D292,910 S * 11/1987 McGiboney D12/331

4,746,082 A * 5/1988 Syms B64D 47/08
 244/118.2
 D301,867 S * 6/1989 Street D12/339
 4,848,702 A * 7/1989 Riggins B64C 25/54
 244/105
 D308,043 S * 5/1990 Butler D12/331
 D311,720 S * 10/1990 Butler D12/331
 D312,068 S * 11/1990 Moller D12/319
 D319,805 S * 9/1991 Wiegert D12/319
 D323,315 S * 1/1992 Haga D12/328
 5,078,339 A * 1/1992 Lapidot B64C 3/56
 244/49
 5,115,996 A * 5/1992 Moller B64C 29/0025
 239/265.19
 5,242,132 A * 9/1993 Wukowitz B64C 35/00
 114/262
 5,415,365 A * 5/1995 Ratliff B64C 35/00
 114/271
 5,503,352 A * 4/1996 Eger B64C 39/068
 244/13
 D371,105 S * 6/1996 Graham D12/319
 D381,952 S * 8/1997 Carter, Jr. D12/327
 D392,937 S * 3/1998 Brichard D12/319
 D414,740 S * 10/1999 Margaritoff D12/319
 D418,805 S * 1/2000 Cycon 244/12.3
 D431,522 S * 10/2000 Fujino D12/337
 D442,540 S * 5/2001 Cellini D12/308
 D446,182 S * 8/2001 Adam, Jr. D12/319
 D466,858 S * 12/2002 Carroll D12/337
 D467,533 S * 12/2002 Han D12/319
 D486,776 S * 2/2004 Carr D12/319
 D500,729 S * 1/2005 Wilding D12/319
 D500,981 S * 1/2005 Wilding D12/319
 D543,248 S * 5/2007 Winston D21/450
 7,322,872 B2 * 1/2008 Butler A63H 17/02
 446/454
 D605,576 S * 12/2009 Posva D12/343
 8,371,520 B2 * 2/2013 Easter B60F 5/02
 244/2
 D717,227 S * 11/2014 Herzberger D12/324
 D736,140 S * 8/2015 Moller D12/326
 D738,438 S * 9/2015 Cummings D21/447
 D739,807 S * 9/2015 Strand D12/324
 9,120,560 B1 * 9/2015 Armer B64C 29/0008
 D743,868 S * 11/2015 Cummings D12/328
 D760,638 S * 7/2016 Beskar D12/344
 D763,733 S * 8/2016 Gattelli D12/16.1
 D778,371 S * 2/2017 Barajas D12/327
 D799,402 S * 10/2017 Cummings D12/327
 9,783,288 B1 * 10/2017 Moore B64C 27/322
 D810,621 S * 2/2018 Sadek D12/16.1
 9,932,118 B2 * 4/2018 Bak B64D 27/24
 D832,154 S * 10/2018 Tian D12/161
 10,124,890 B2 * 11/2018 Sada-Salinas B64C 29/0025
 10,183,744 B2 * 1/2019 Gamble B64C 29/0025
 2012/0043413 A1 * 2/2012 Smith B64C 29/0033
 244/12.4
 2017/0057621 A1 * 3/2017 Evulet B64C 9/38
 2017/0072755 A1 * 3/2017 Zhou B64C 29/0075
 2017/0240275 A1 * 8/2017 Evulet B64C 9/38
 2017/0300065 A1 * 10/2017 Douglas G05D 1/0676
 2017/0300067 A1 * 10/2017 Douglas B64C 29/0025
 2018/0305007 A1 * 10/2018 Evulet B64C 29/005

OTHER PUBLICATIONS

Jetoptera by Electric VTOL News. dated May 2018. found online
 [Mar. 15, 2019] <http://evtol.news/aircraft/jetoptera-j2000/>.*

* cited by examiner

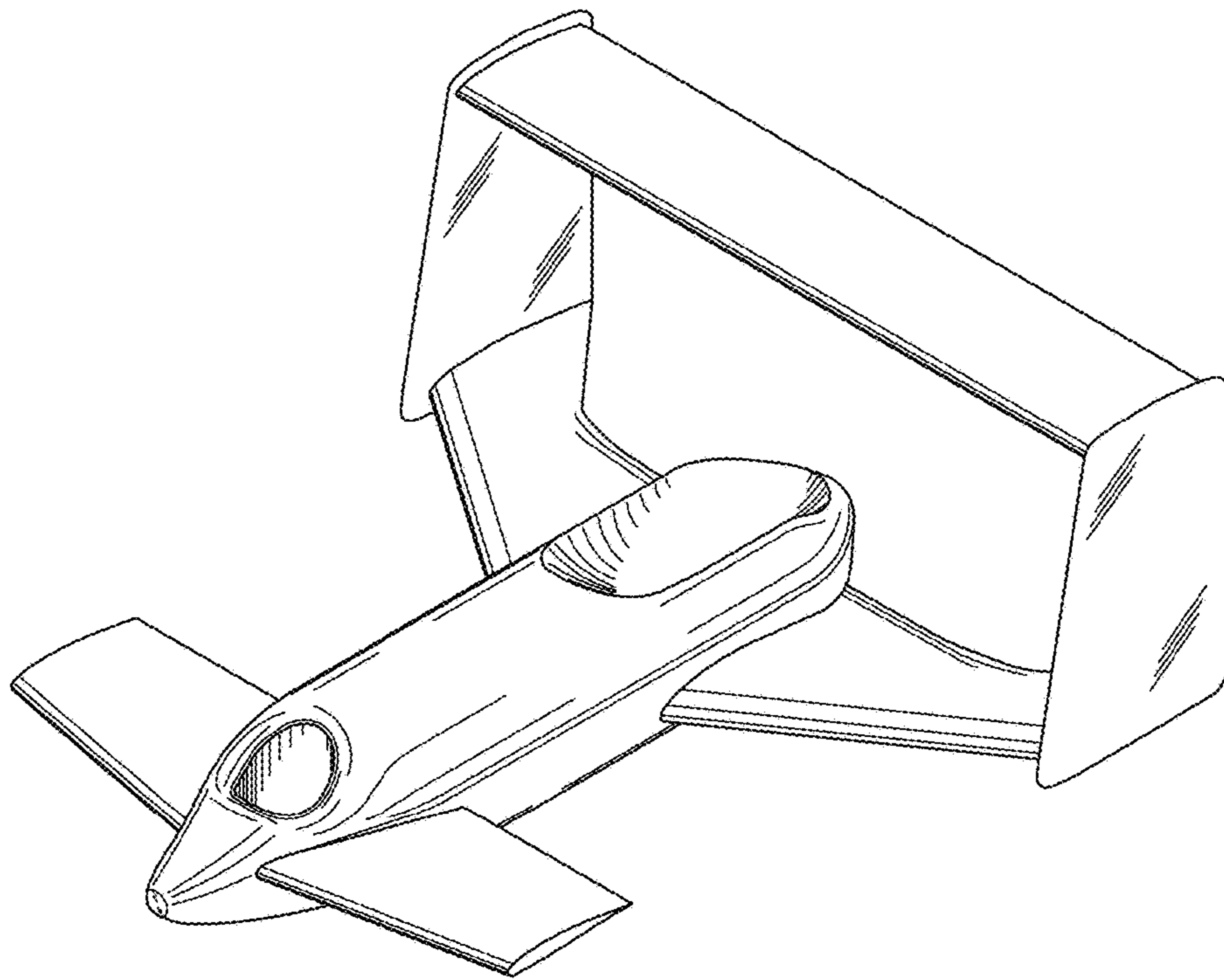


Fig. 1

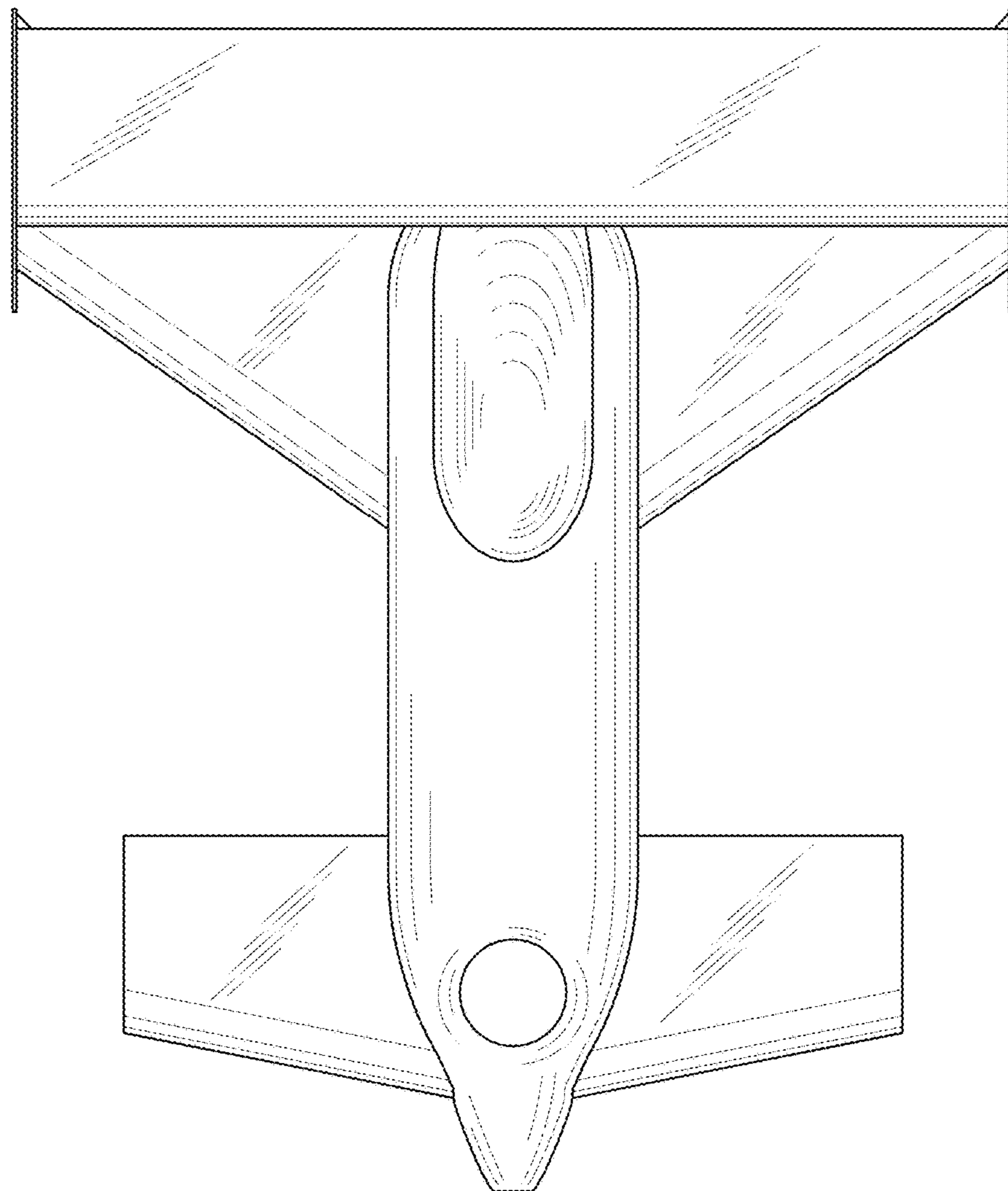


Fig. 2

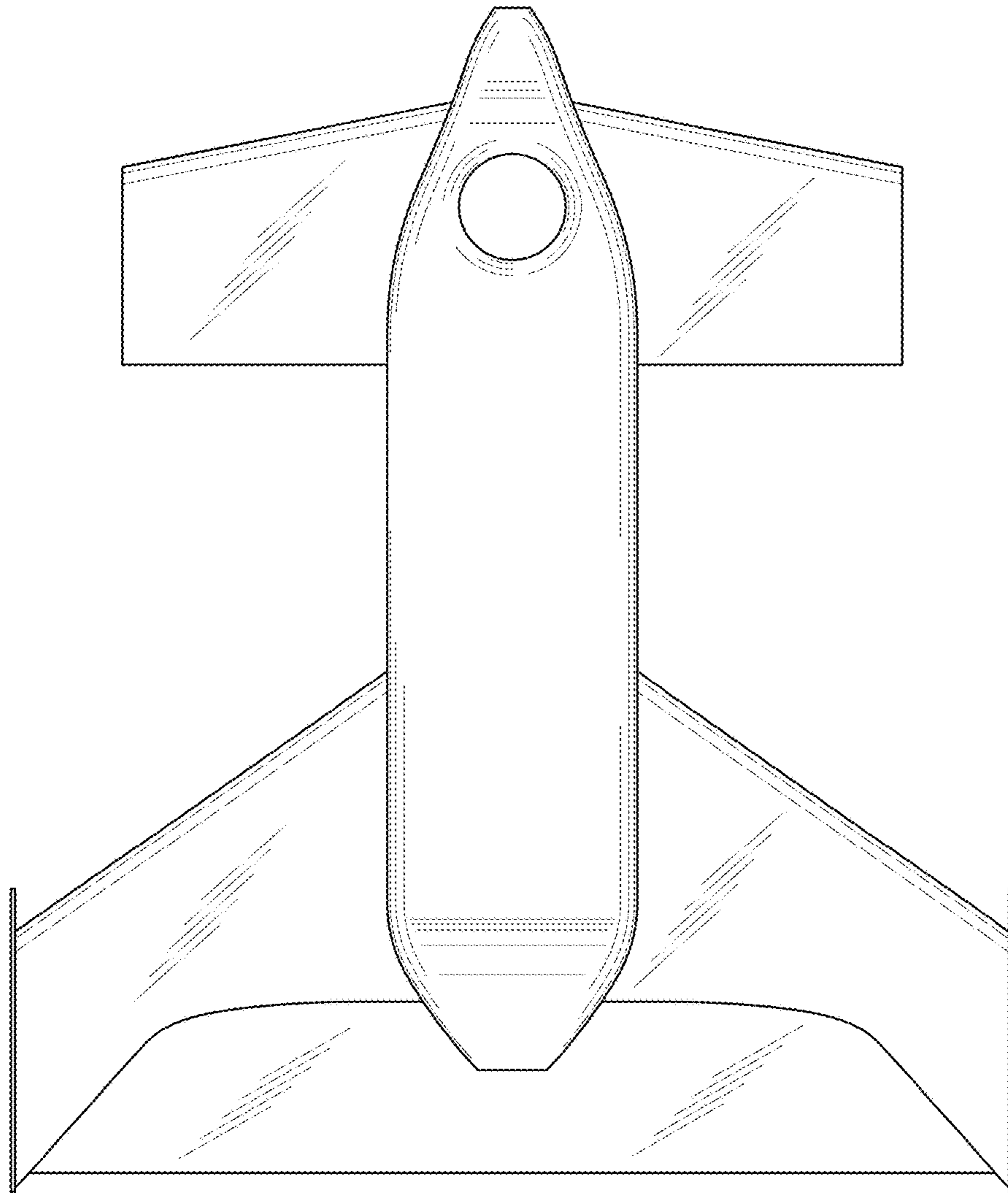


Fig. 3

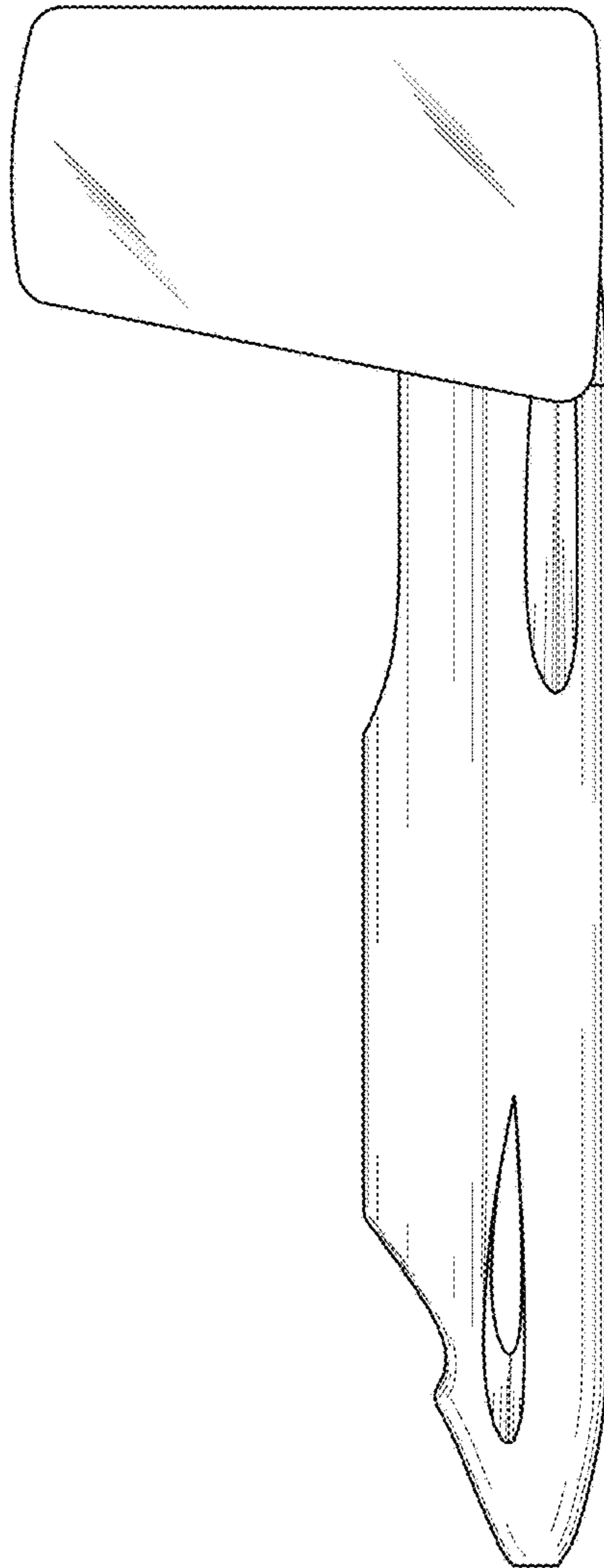


Fig. 4

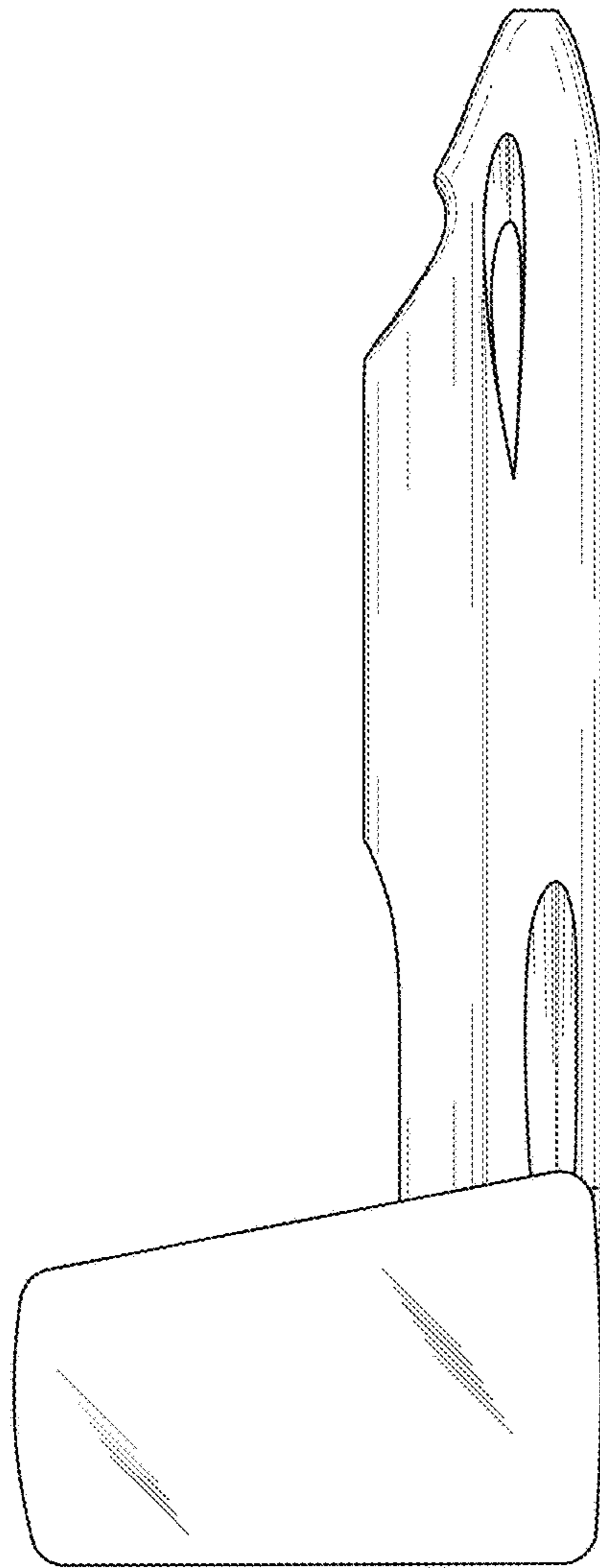


Fig. 5

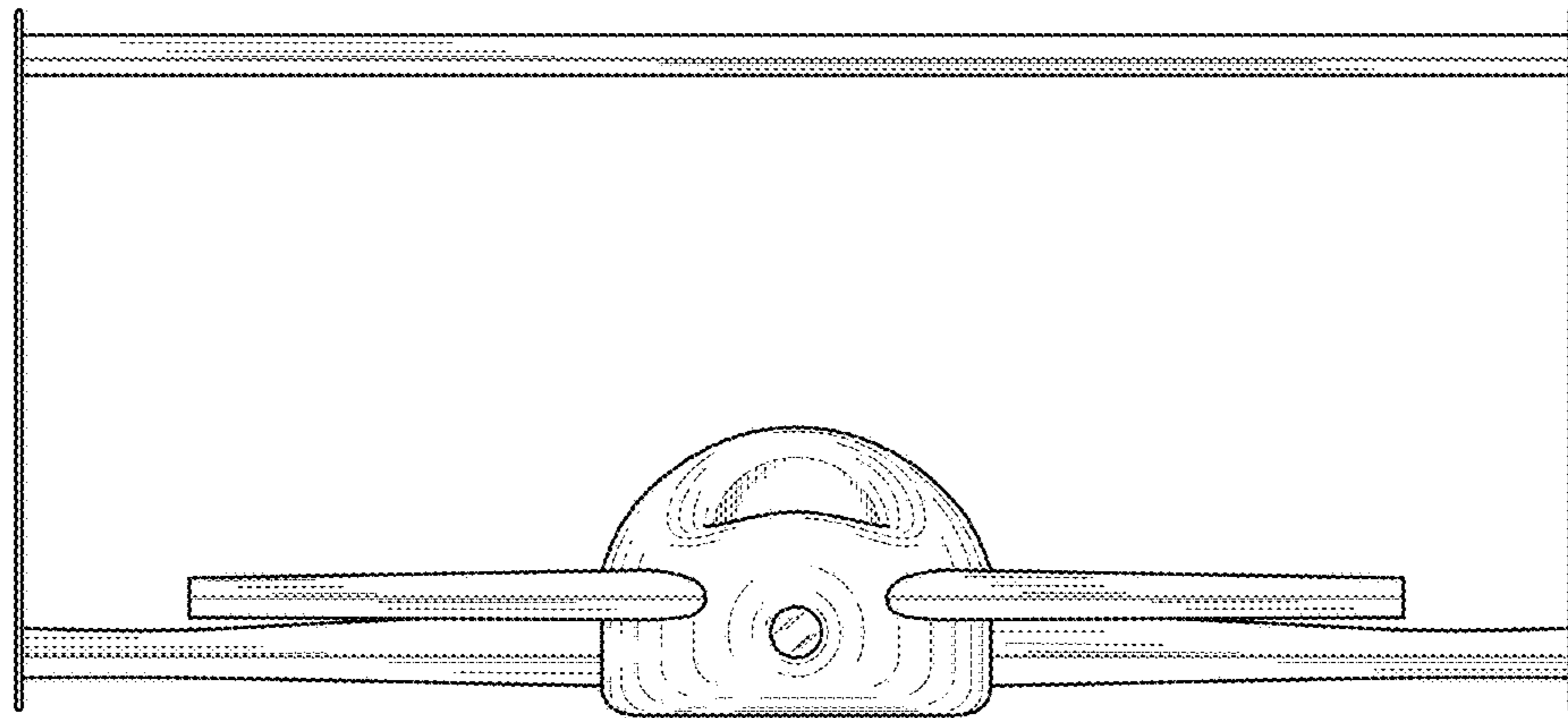


Fig. 6

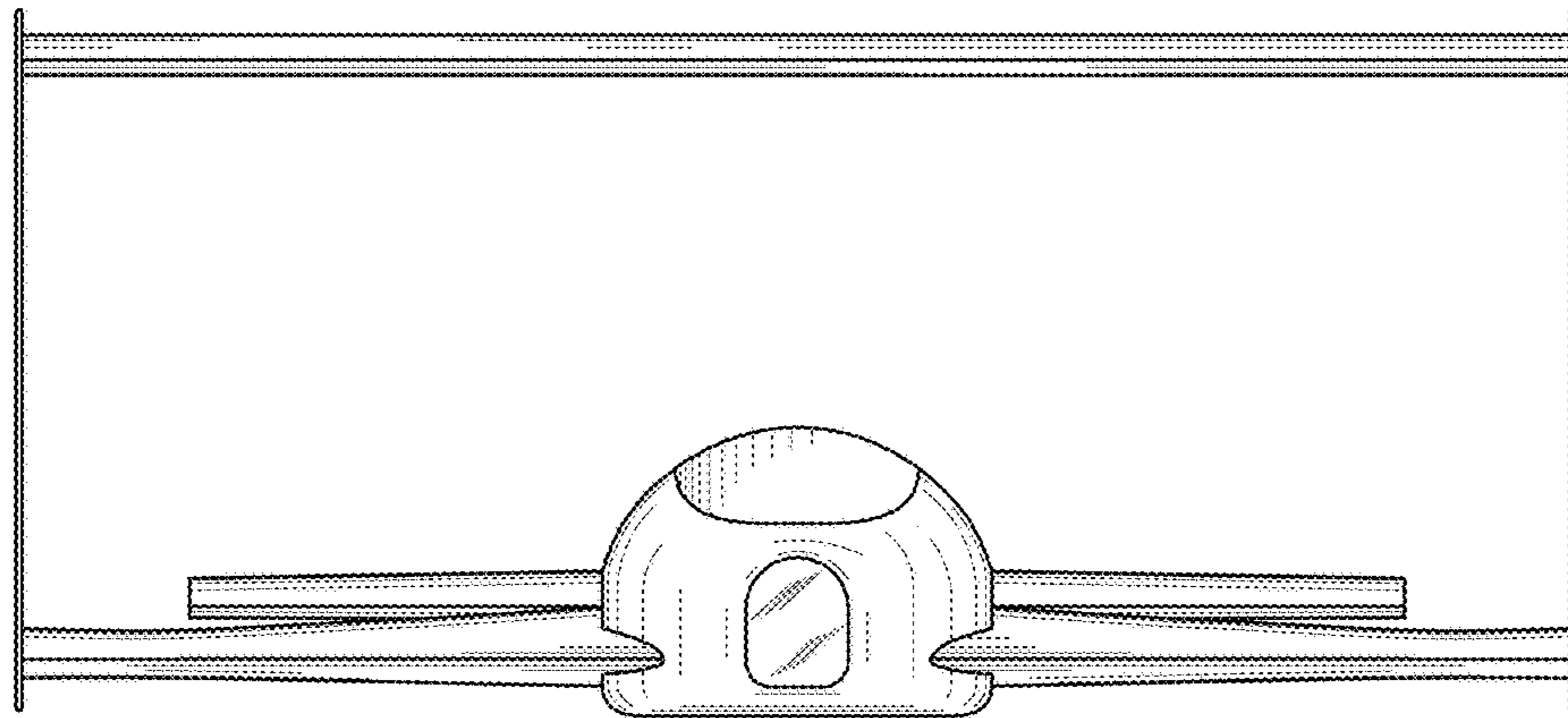


Fig. 7