



US00D856893S

(12) **United States Design Patent**
Ramthun

(10) **Patent No.:** **US D856,893 S**

(45) **Date of Patent:** **** Aug. 20, 2019**

(54) **WHEEL FRONT FACE**

(71) Applicant: **Blake Ramthun**, Anaheim, CA (US)

(72) Inventor: **Blake Ramthun**, Anaheim, CA (US)

(73) Assignee: **WHEEL GROUP HOLDINGS, LLC**,
Ontario, CA (US)

(**) Term: **15 Years**

(21) Appl. No.: **29/654,956**

(22) Filed: **Jun. 28, 2018**

(51) **LOC (12) Cl.** **12-16**

(52) **U.S. Cl.**
USPC **D12/209**

(58) **Field of Classification Search**
USPC D12/204–213
CPC B60B 7/00; B60B 7/02; B60B 7/04; B60B
7/01; B60B 7/06; B60B 3/02; B60B 3/04;
B60B 3/06; B60B 3/10; B60B 1/00;
B60B 1/08; B60B 1/10; B60B 1/12
See application file for complete search history.

(56) **References Cited**

U.S. PATENT DOCUMENTS

D206,432 S	*	12/1966	Reid	D12/209
D213,315 S	*	2/1969	Reid	D12/211
D255,233 S	*	6/1980	Watanabe	D12/209
D450,648 S	*	11/2001	Oota	D12/211
D454,528 S	*	3/2002	Brown	D12/209
D488,423 S	*	4/2004	Chu	D12/209

D491,512 S	*	6/2004	Kataoka	D12/209
D497,867 S	*	11/2004	Walbey, Jr.	D12/209
D504,650 S	*	5/2005	Ishiwata	D12/209
D513,218 S	*	12/2005	Fitzgerald	D12/209
D527,698 S	*	9/2006	Kim	D12/209
D532,735 S	*	11/2006	Loocho	D12/209
D533,128 S	*	12/2006	Aydin	D12/209
D535,008 S	*	1/2007	Wu	D12/209
D535,932 S	*	1/2007	Lorinser	D12/209
D539,203 S	*	3/2007	Danbom	D12/204
D621,769 S	*	8/2010	Chung	D12/209
D784,236 S	*	4/2017	Platto	D12/211
D788,670 S	*	6/2017	Chung	D12/209
D833,946 S	*	11/2018	Han	D12/209
D836,523 S	*	12/2018	Wittinger	D12/209
D845,861 S	*	4/2019	Tran	D12/209

* cited by examiner

Primary Examiner — Stacia A Cadmus

(74) *Attorney, Agent, or Firm* — Law Offices of S.J.
Christine Yang

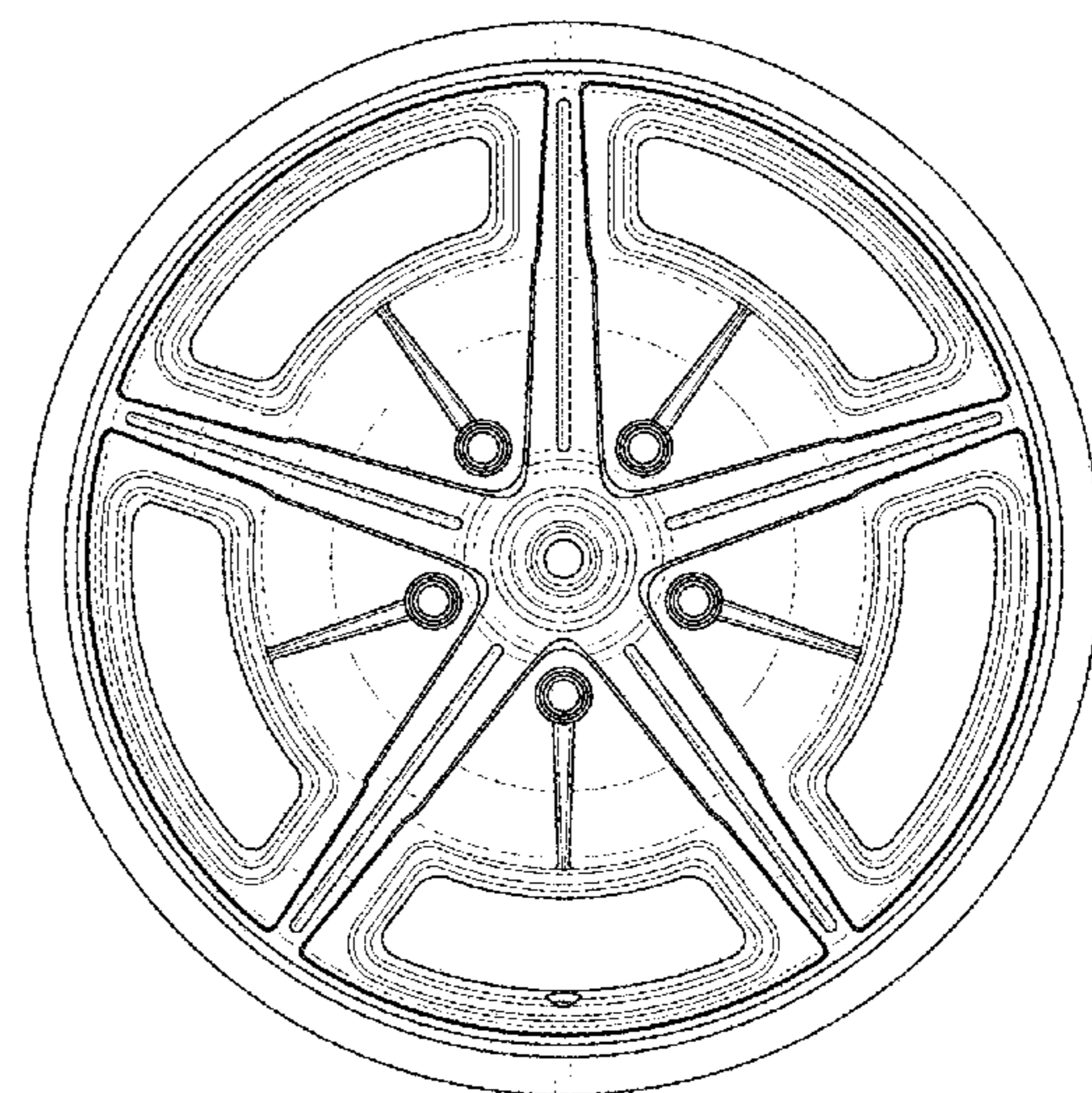
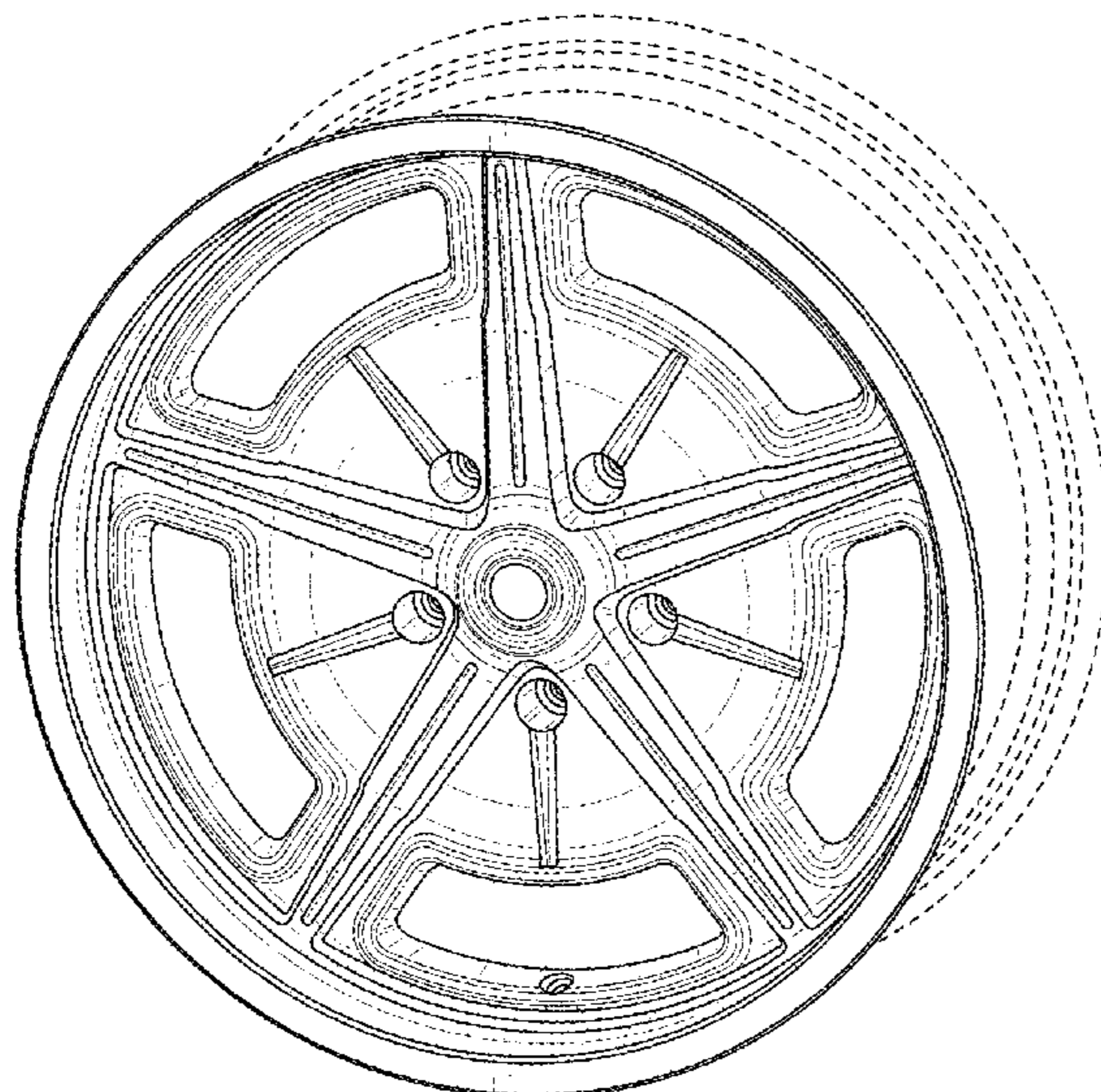
(57) **CLAIM**

The ornamental design for a wheel front face, as shown and described.

DESCRIPTION

FIG. 1 is a perspective view of a wheel front face in accordance with an embodiment of the present invention. FIG. 2 is a front view of the wheel front face of FIG. 1; and, FIG. 3 is a side view of the wheel front face of FIG. 1. In the drawings, the broken lines depict environmental subject matter and form no part of the claimed design.

1 Claim, 3 Drawing Sheets



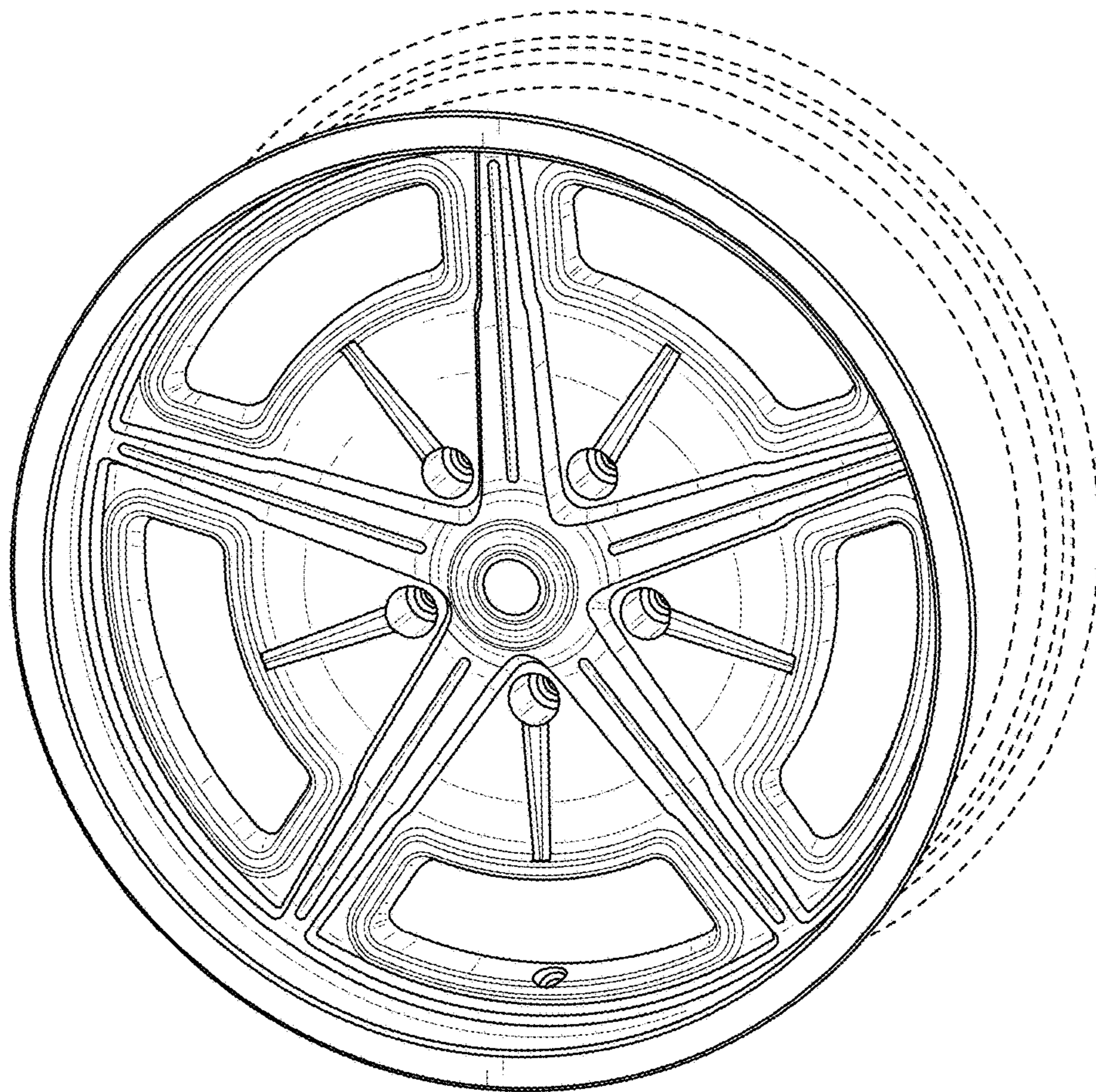


FIG. 1

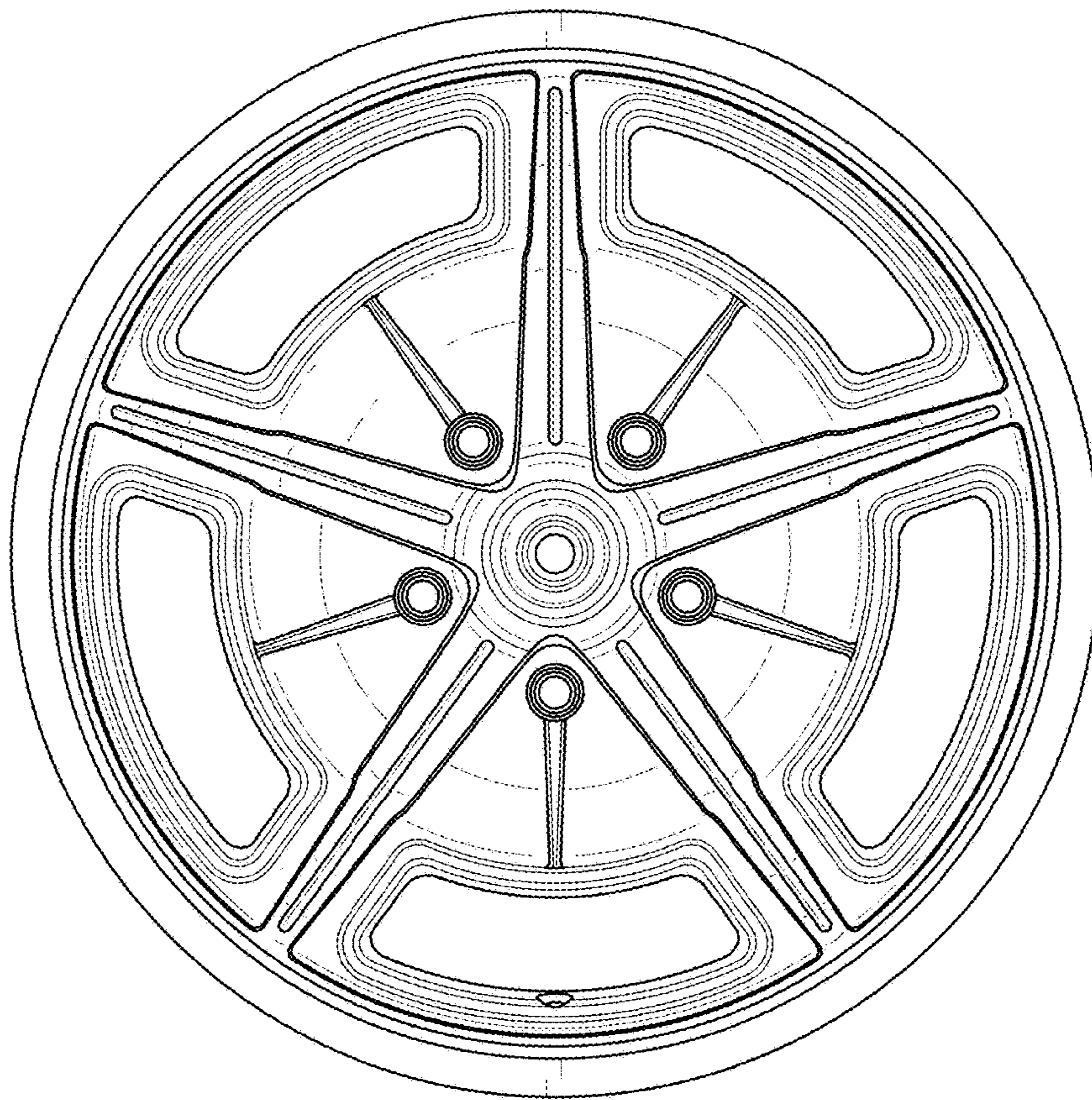


FIG. 2

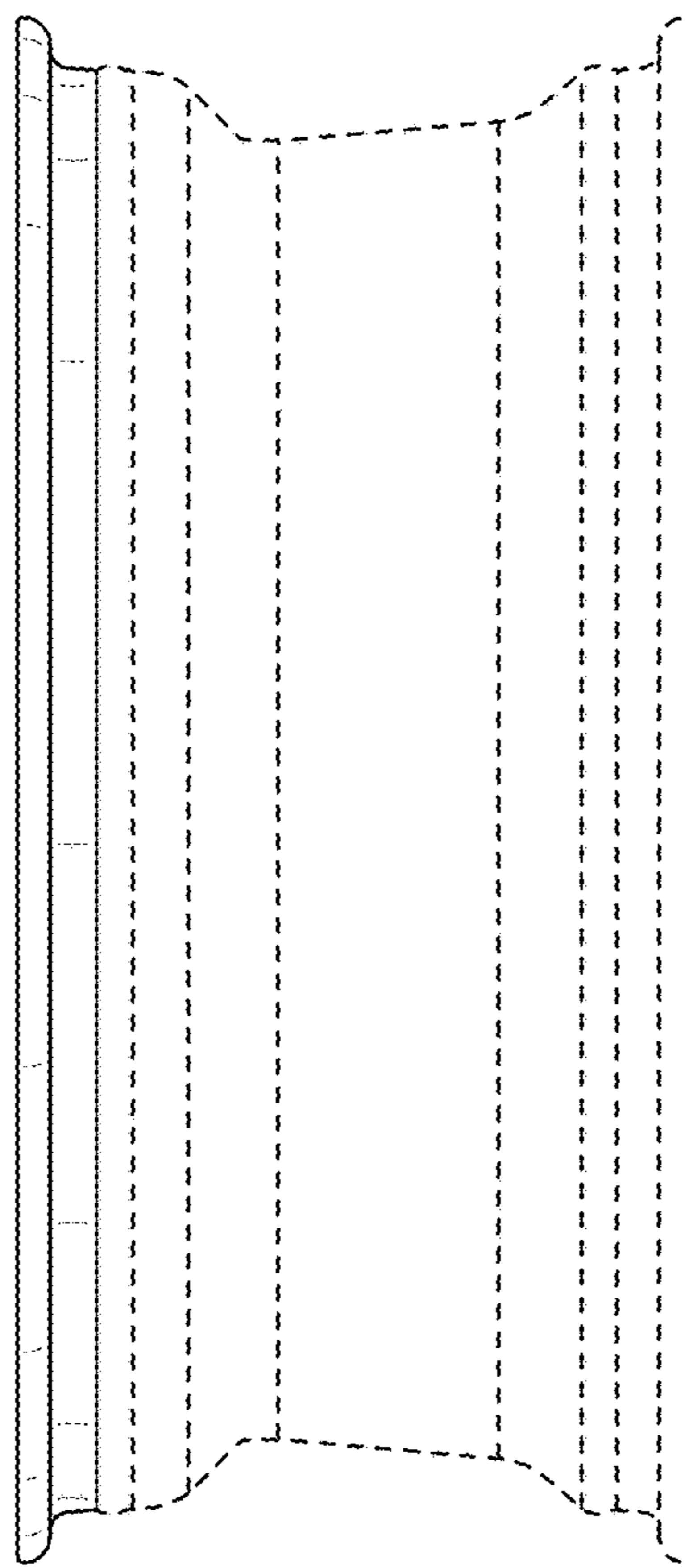


FIG. 3