



US00D856888S

(12) **United States Design Patent**
Melville-Brown

(10) **Patent No.:** **US D856,888 S**

(45) **Date of Patent:** **** Aug. 20, 2019**

(54) **WHEEL**

(71) Applicant: **HONDA MOTOR CO., LTD.**,
Minato-ku, Tokyo (JP)

(72) Inventor: **Guy Thomas Melville-Brown**,
Manhattan Beach, CA (US)

(73) Assignee: **HONDA MOTOR CO., LTD.**, Tokyo
(JP)

(**) Term: **15 Years**

(21) Appl. No.: **29/646,564**

(22) Filed: **May 4, 2018**

(51) **LOC (12) Cl.** **12-16**

(52) **U.S. Cl.**

USPC **D12/209**

(58) **Field of Classification Search**

USPC D12/204–213

CPC B60B 7/00; B60B 7/02; B60B 7/04; B60B

7/01; B60B 7/06; B60B 3/04; B60B 1/00;

B60B 3/10; B60B 1/10; B60B 1/08;

B60B 3/06; B60B 1/12; B60B 3/02

See application file for complete search history.

(56) **References Cited**

U.S. PATENT DOCUMENTS

D501,815 S *	2/2005	Weld	D12/209
D504,380 S *	4/2005	Kushartanto	D12/209
D513,727 S *	1/2006	Gallert	D12/211
D565,490 S *	4/2008	Tirado	D12/209
D568,800 S *	5/2008	Huet	D12/211
D617,716 S *	6/2010	Lamm	D12/211
D624,862 S *	10/2010	Zhao	D12/209
D663,249 S *	7/2012	Zhang	D12/211
D671,472 S *	11/2012	Pollmann	D12/209
D686,128 S *	7/2013	Baum	D12/209

D697,009 S *	1/2014	Pollmann	D12/209
D706,694 S *	6/2014	Wheel	D12/209
D707,172 S *	6/2014	Chung	D12/211
D718,207 S *	11/2014	Grake	D12/211
D733,633 S *	7/2015	Gardavsky	D12/211
D740,194 S *	10/2015	Valencia Pollex	D12/209
D777,639 S *	1/2017	Krause	D12/209
D788,004 S *	5/2017	Mielke	D12/209
D817,847 S *	5/2018	Yoshizawa	D12/213
D836,054 S *	12/2018	Kikuchi	D12/209
D841,551 S *	2/2019	Kanai	D12/209

* cited by examiner

Primary Examiner — Stacia A Cadmus

(74) *Attorney, Agent, or Firm* — Arent Fox LLP

(57) **CLAIM**

The ornamental design for a wheel, as shown and described.

DESCRIPTION

FIG. 1 is a front left perspective view of a wheel showing my new design;

FIG. 2 is a front right perspective view of the design shown in FIG. 1;

FIG. 3 is a rear left perspective view of the design shown in FIG. 1;

FIG. 4 is a rear right perspective view of the design shown in FIG. 1;

FIG. 5 is a front view of the design shown in FIG. 1;

FIG. 6 is a rear view of the design shown in FIG. 1;

FIG. 7 is a left side view of the design shown in FIG. 1;

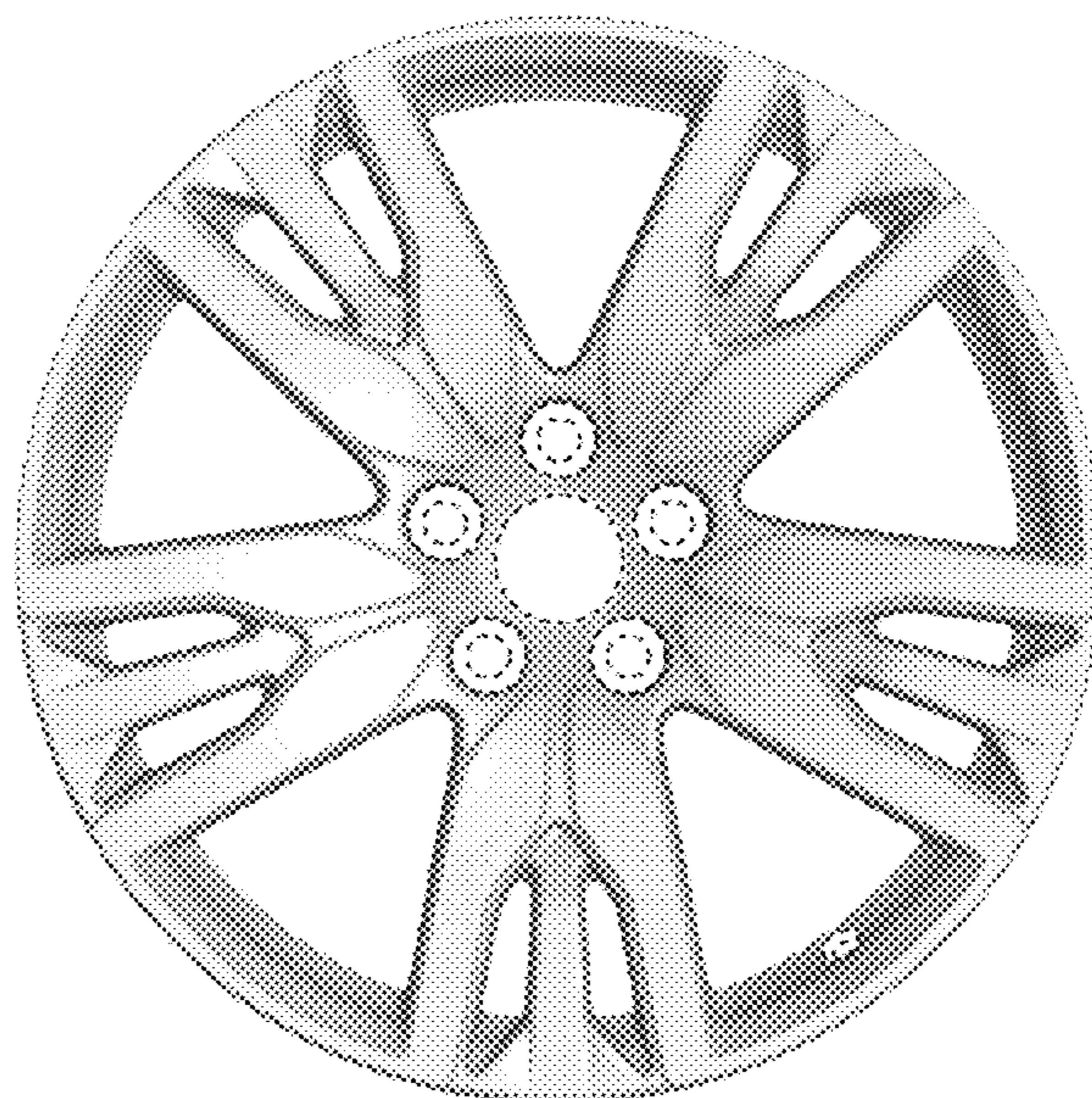
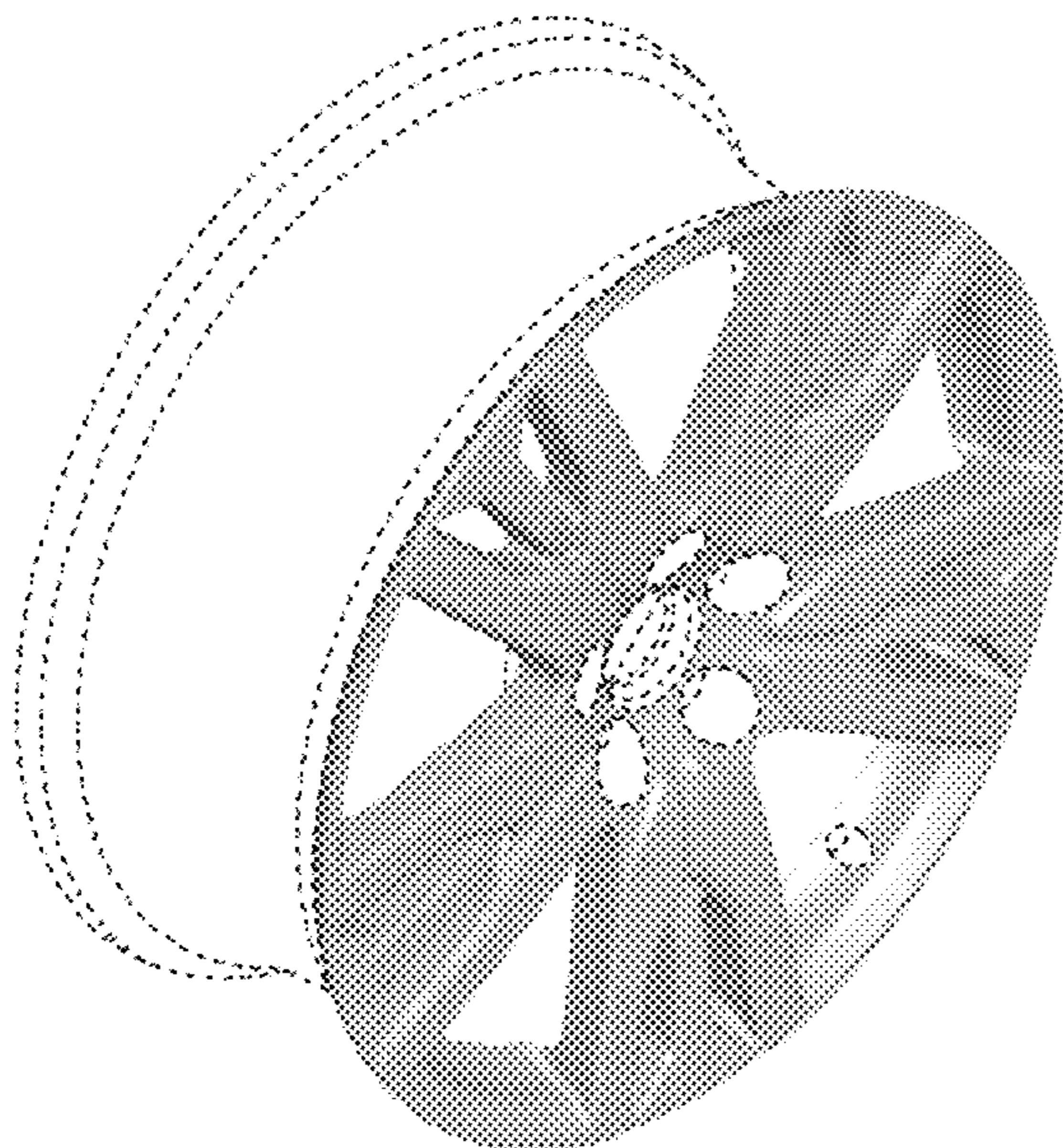
FIG. 8 is a right side view of the design shown in FIG. 1;

FIG. 9 is a top view of the design shown in FIG. 1; and,

FIG. 10 is a bottom view of the design shown in FIG. 1.

The broken lines shown in the figures are included for the purpose of illustrating portions of the wheel and form no part of the claimed design.

1 Claim, 10 Drawing Sheets



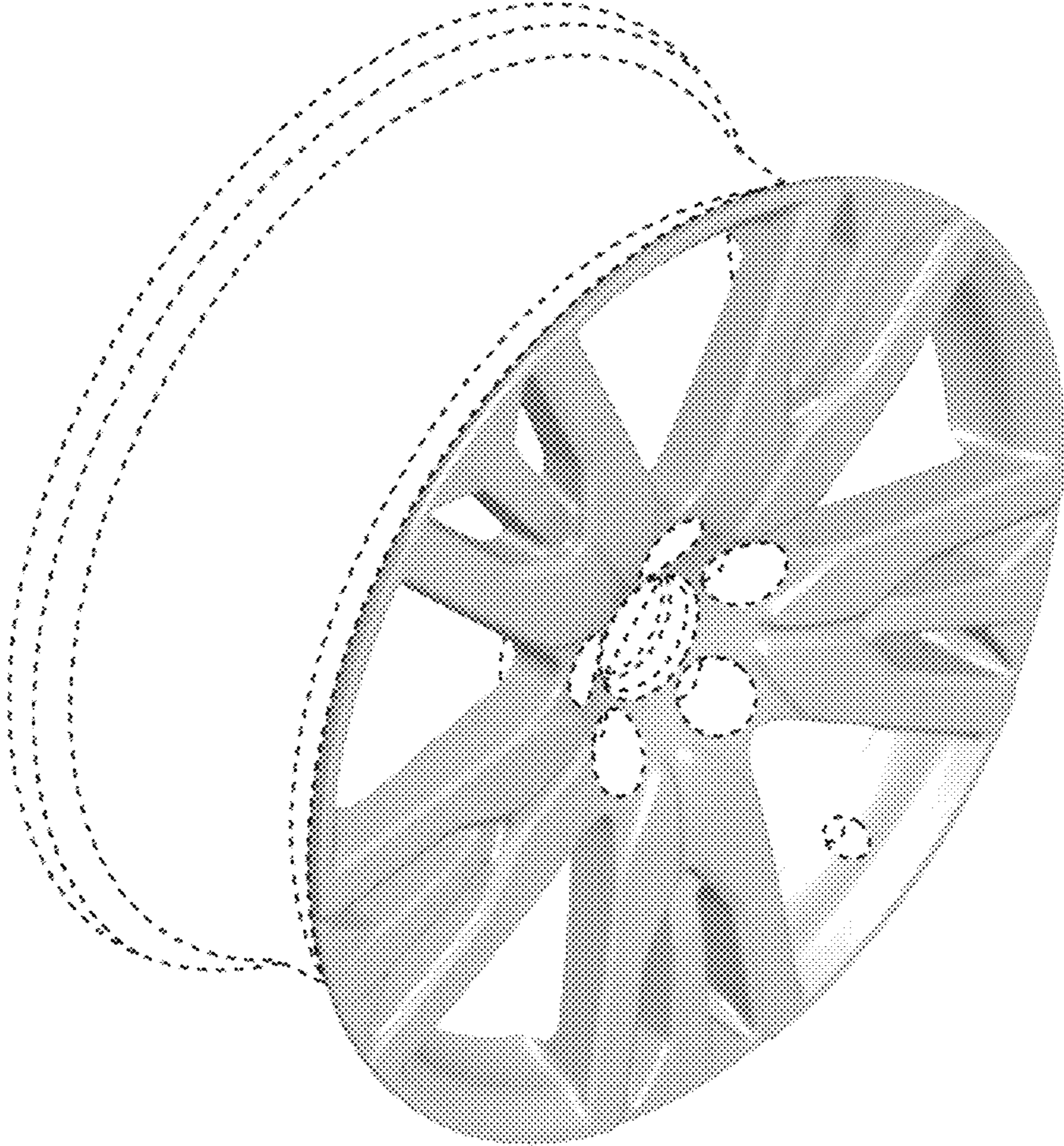


FIG. 1

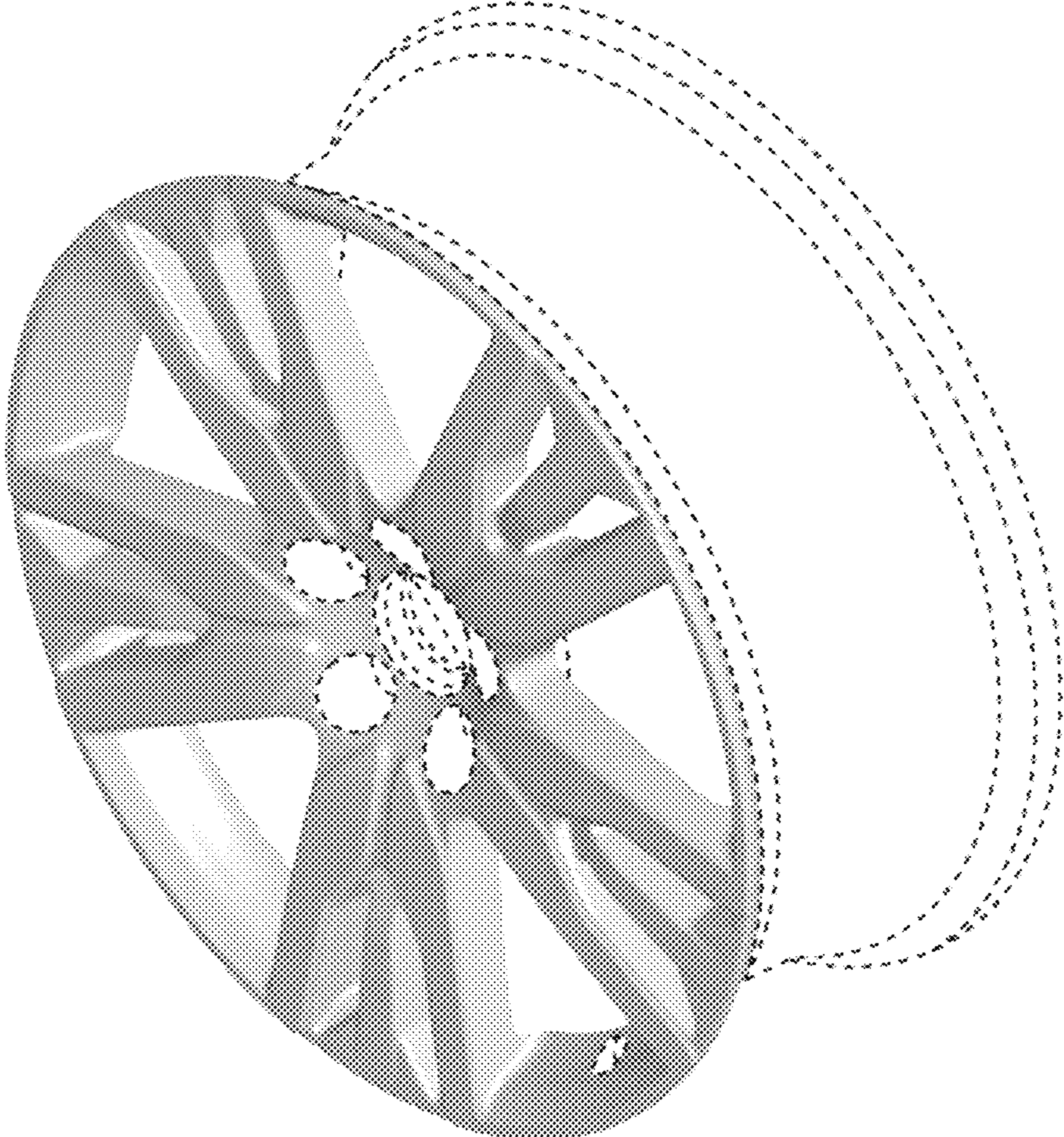


FIG. 2

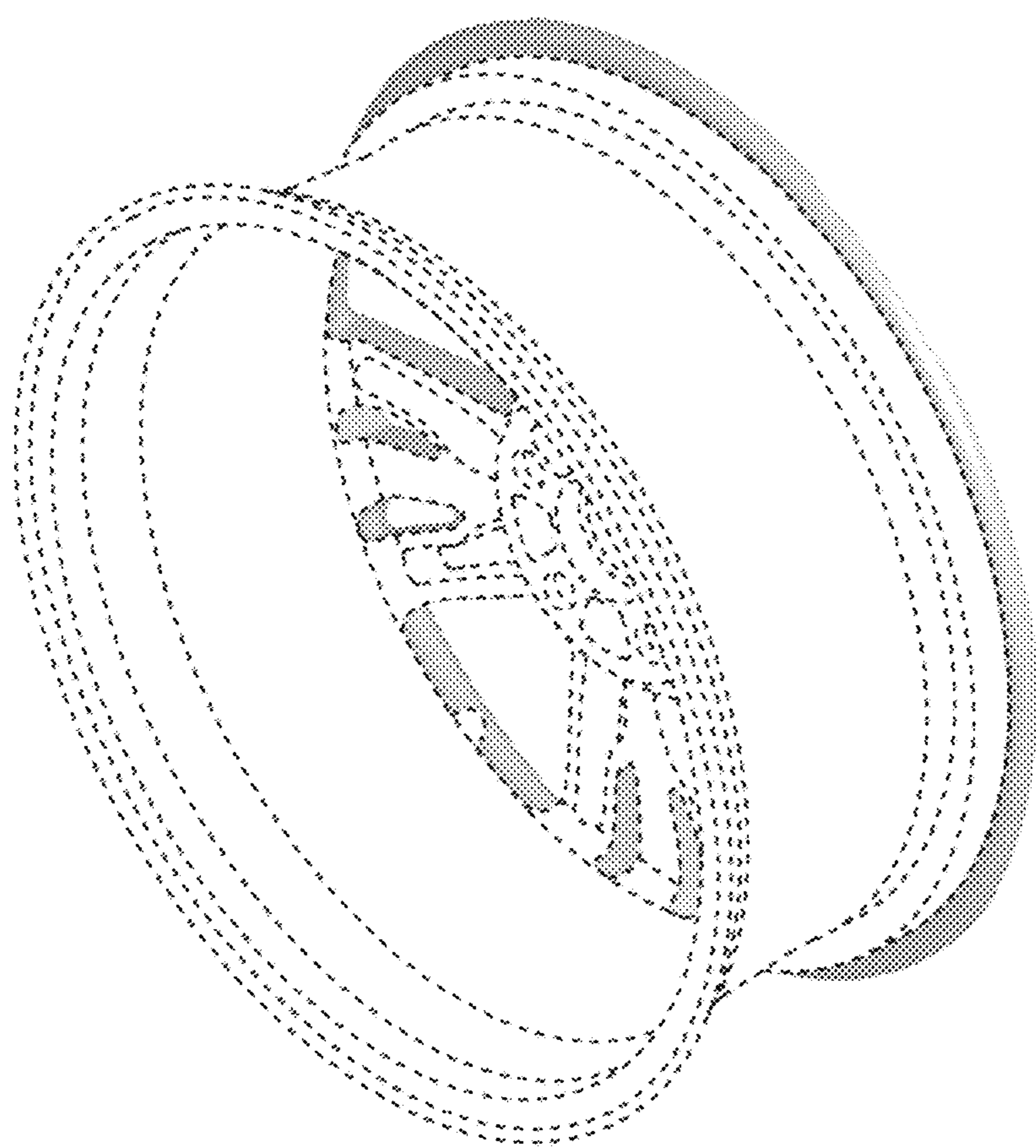


FIG. 3

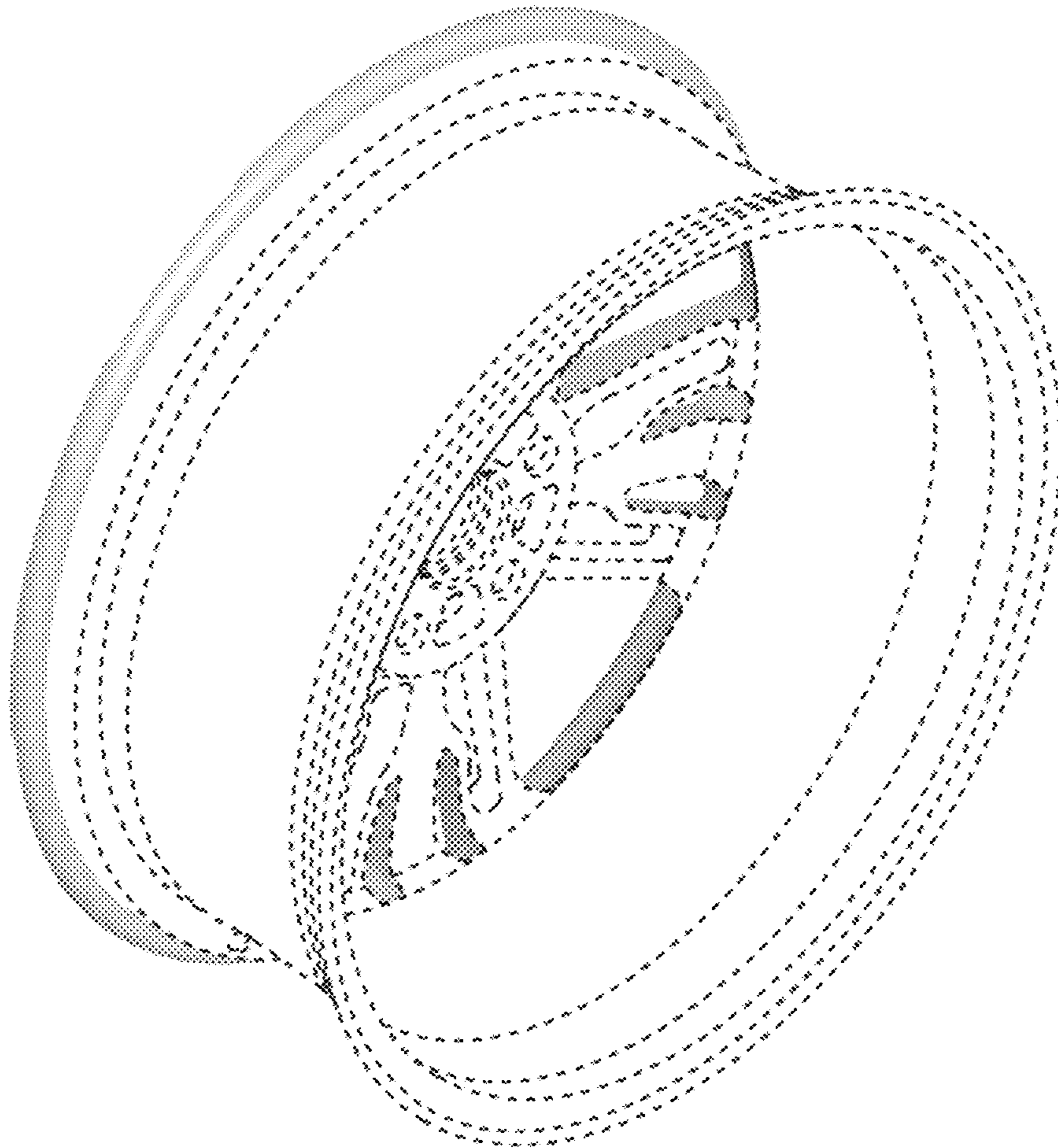


FIG. 4

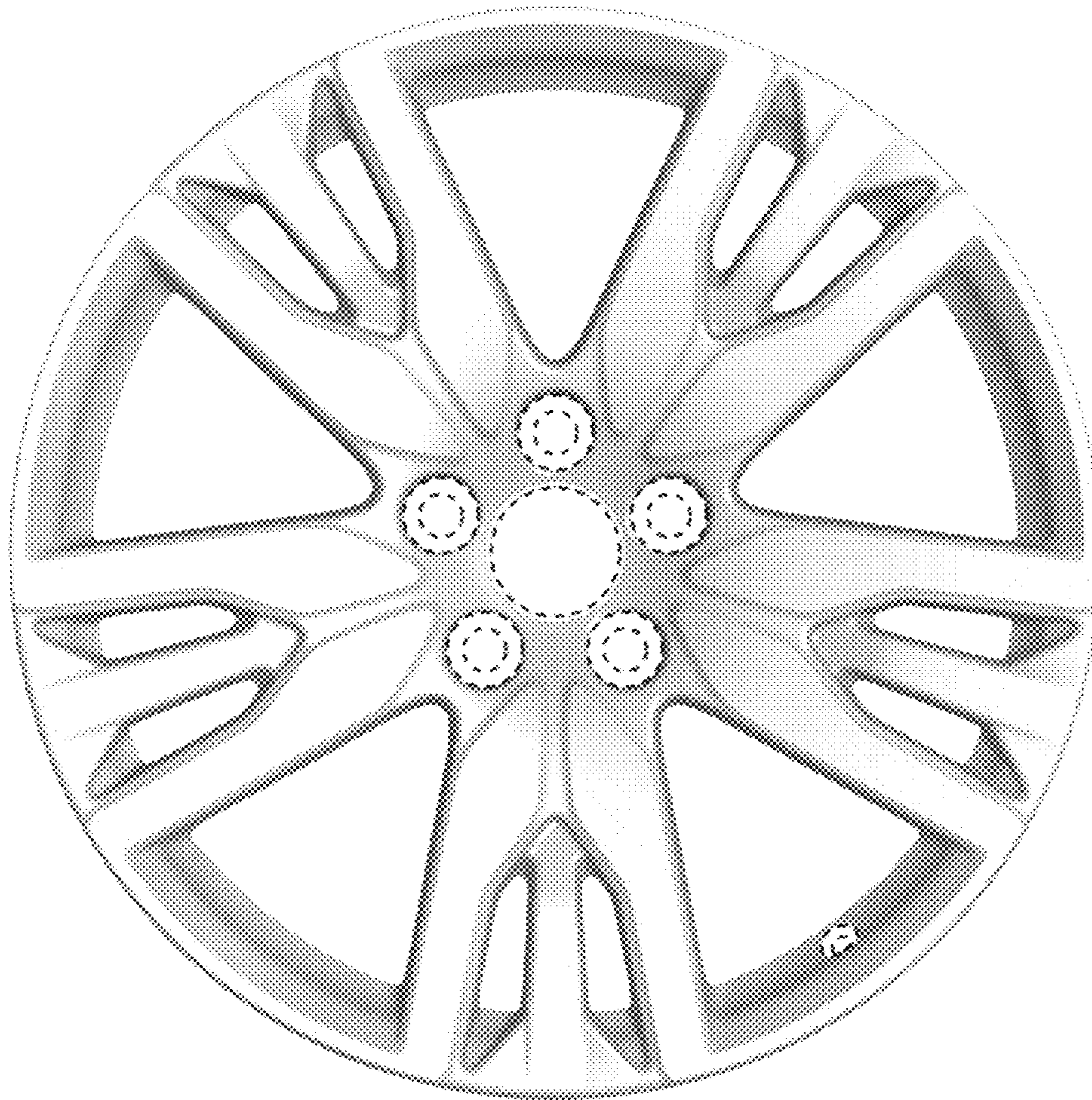


FIG. 5

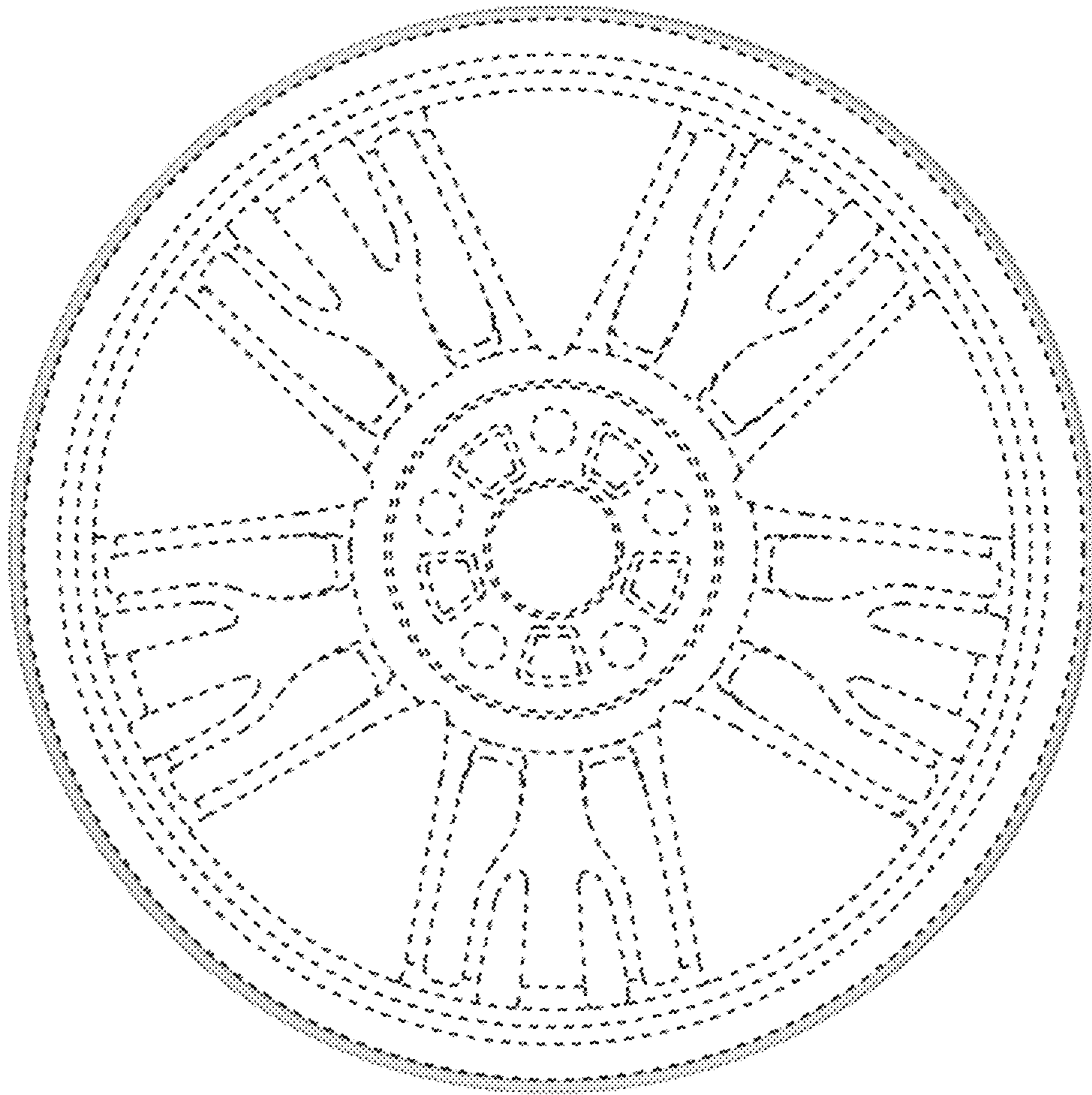


FIG. 6

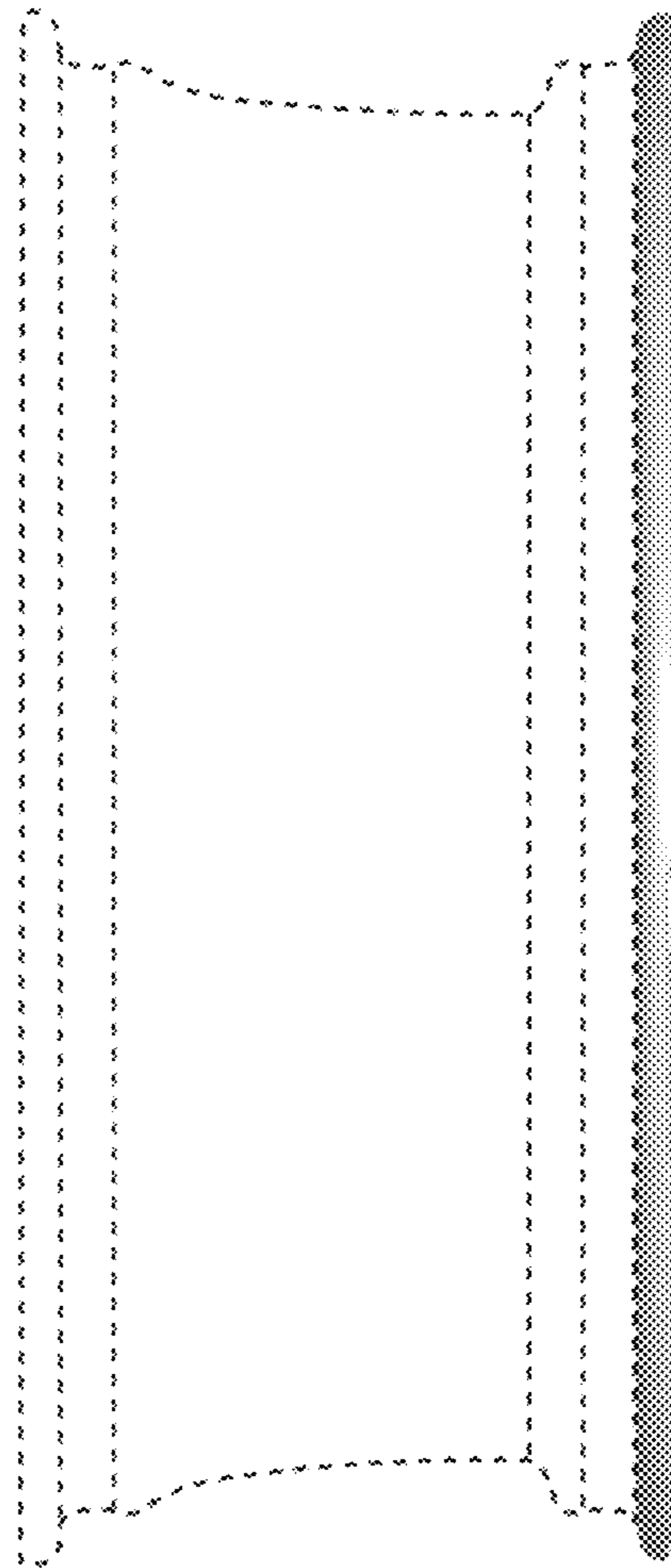


FIG. 7

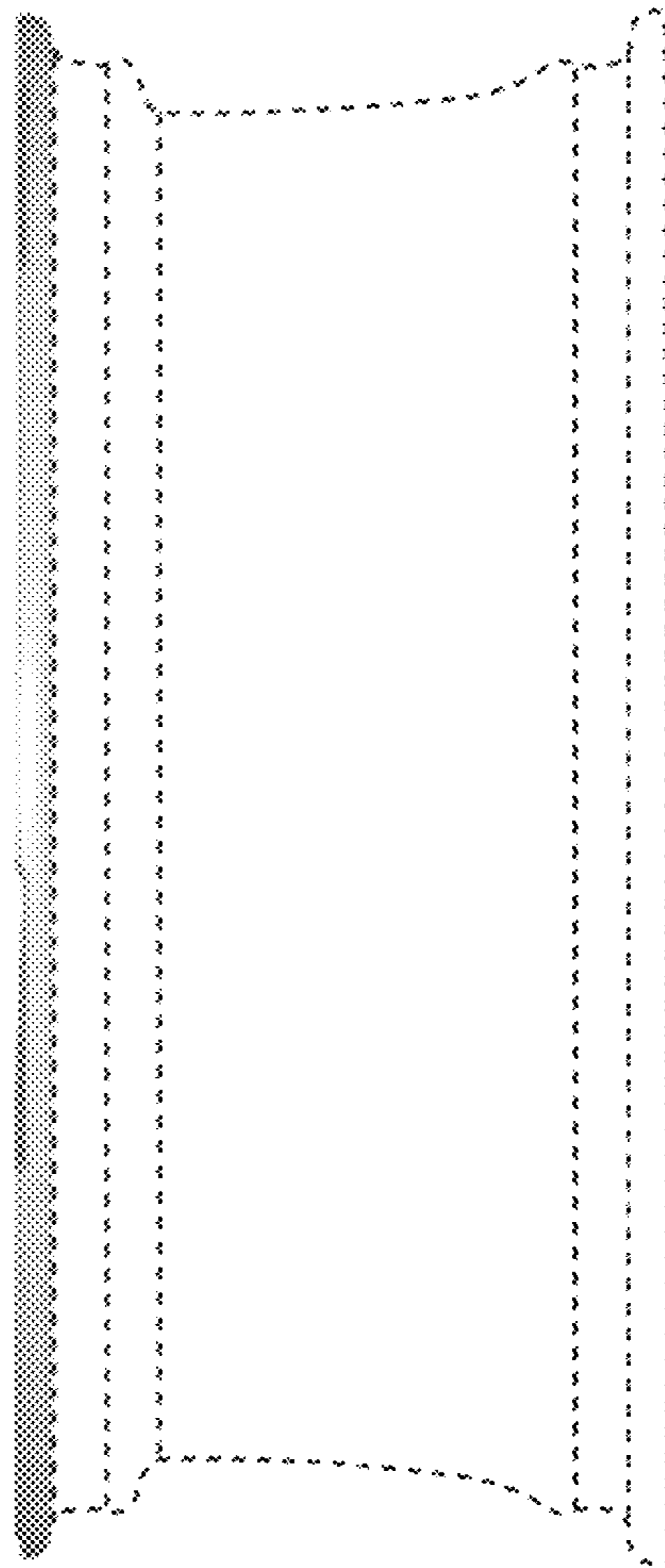


FIG. 8

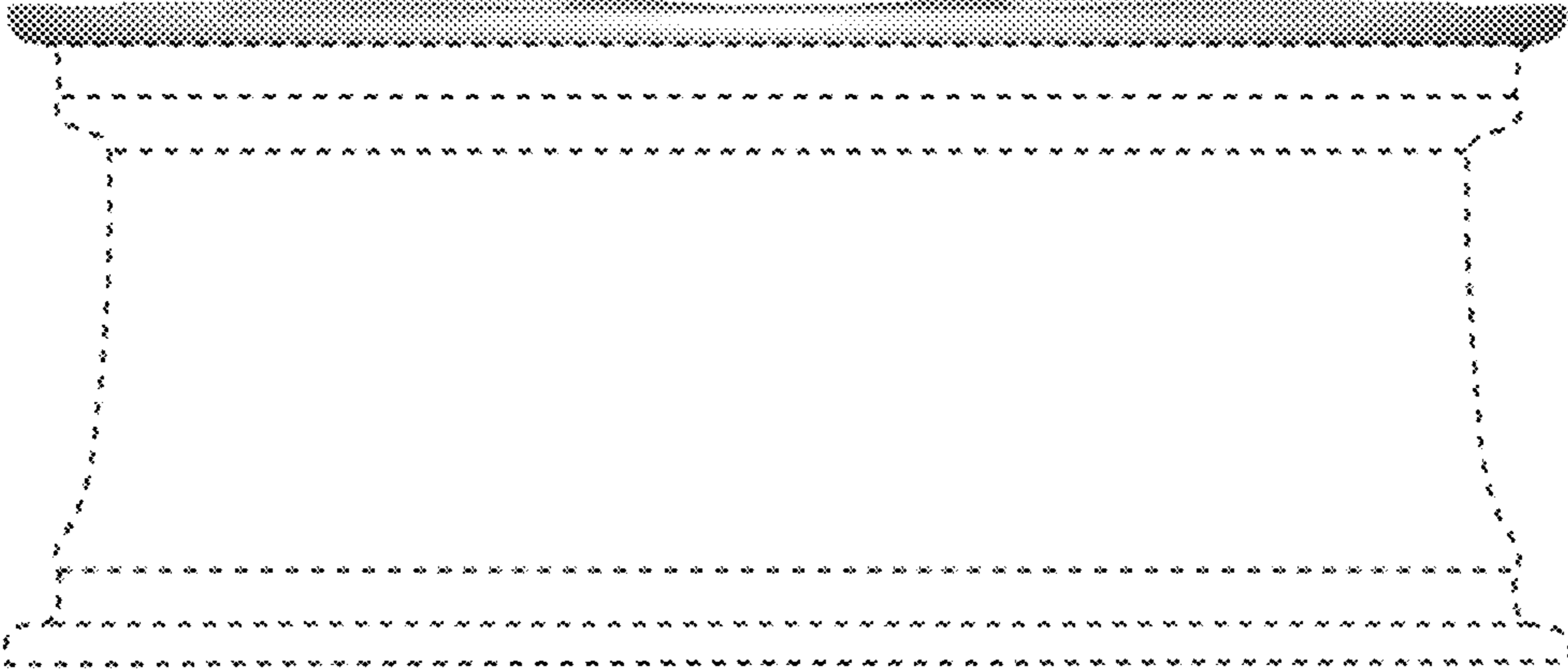


FIG. 9

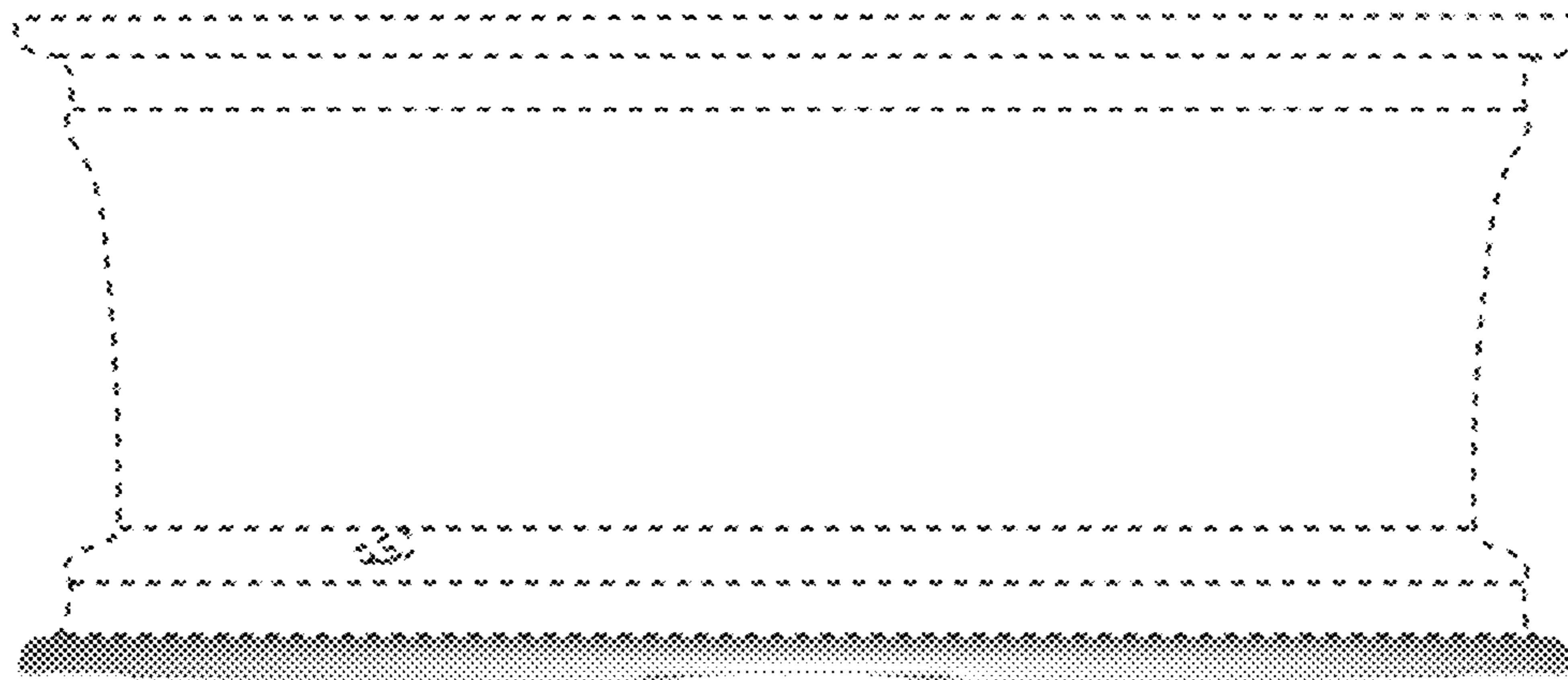


FIG. 10