



US00D856886S

(12) **United States Design Patent**
Bridan

(10) **Patent No.:** **US D856,886 S**

(45) **Date of Patent:** **** Aug. 20, 2019**

(54) **WHEEL**

(71) Applicant: **HONDA MOTOR CO., LTD.**, Tokyo (JP)

(72) Inventor: **Iliya Bridan**, Long Beach, CA (US)

(73) Assignee: **HONDA MOTOR CO., LTD.**, Tokyo (JP)

(**) Term: **15 Years**

(21) Appl. No.: **29/622,676**

(22) Filed: **Oct. 18, 2017**

(51) **LOC (12) Cl.** **12-16**

(52) **U.S. Cl.**
USPC **D12/209**

(58) **Field of Classification Search**
USPC D12/204–213
CPC B60B 7/00; B60B 7/02; B60B 7/04; B60B 7/01; B60B 7/06; B60B 3/04; B60B 1/00; B60B 3/10; B60B 1/10; B60B 1/08; B60B 3/06; B60B 1/12; B60B 3/02
See application file for complete search history.

(56) **References Cited**

U.S. PATENT DOCUMENTS

| | | | | |
|--------------|---------|----------|-------|---------|
| D409,552 S * | 5/1999 | Chung | | D12/211 |
| D456,333 S * | 4/2002 | Pollmann | | D12/211 |
| D466,854 S * | 12/2002 | Kern | | D12/211 |
| D475,337 S * | 6/2003 | Kataoka | | D12/209 |
| D494,917 S * | 8/2004 | Pollmann | | D12/211 |
| D513,727 S * | 1/2006 | Gallert | | D12/211 |
| D531,560 S * | 11/2006 | Loocho | | D12/209 |
| D568,800 S * | 5/2008 | Huet | | D12/211 |
| D593,019 S * | 5/2009 | Tirado | | D12/209 |
| D617,716 S * | 6/2010 | Lamm | | D12/211 |
| D638,768 S * | 5/2011 | Nissl | | D12/211 |
| D643,795 S * | 8/2011 | Nissl | | D12/211 |

| | | | | |
|--------------|---------|-----------------|-------|---------|
| D663,249 S * | 7/2012 | Zhang | | D12/211 |
| D670,635 S * | 11/2012 | Pollmann | | D12/211 |
| D671,472 S * | 11/2012 | Pollmann | | D12/209 |
| D683,294 S * | 5/2013 | Pollmann | | D12/209 |
| D706,694 S * | 6/2014 | Wheel | | D12/209 |
| D734,237 S * | 7/2015 | Juergens | | D12/211 |
| D751,015 S * | 3/2016 | Mahoney | | D12/209 |
| D780,085 S * | 2/2017 | Bjerke | | D12/209 |
| D806,628 S * | 1/2018 | Schell | | D12/211 |
| D815,008 S * | 4/2018 | Valencia Pollex | | D12/209 |
| D841,551 S * | 2/2019 | Kanai | | D12/209 |

* cited by examiner

Primary Examiner — Stacia A Cadmus

(74) *Attorney, Agent, or Firm* — Arent Fox LLP

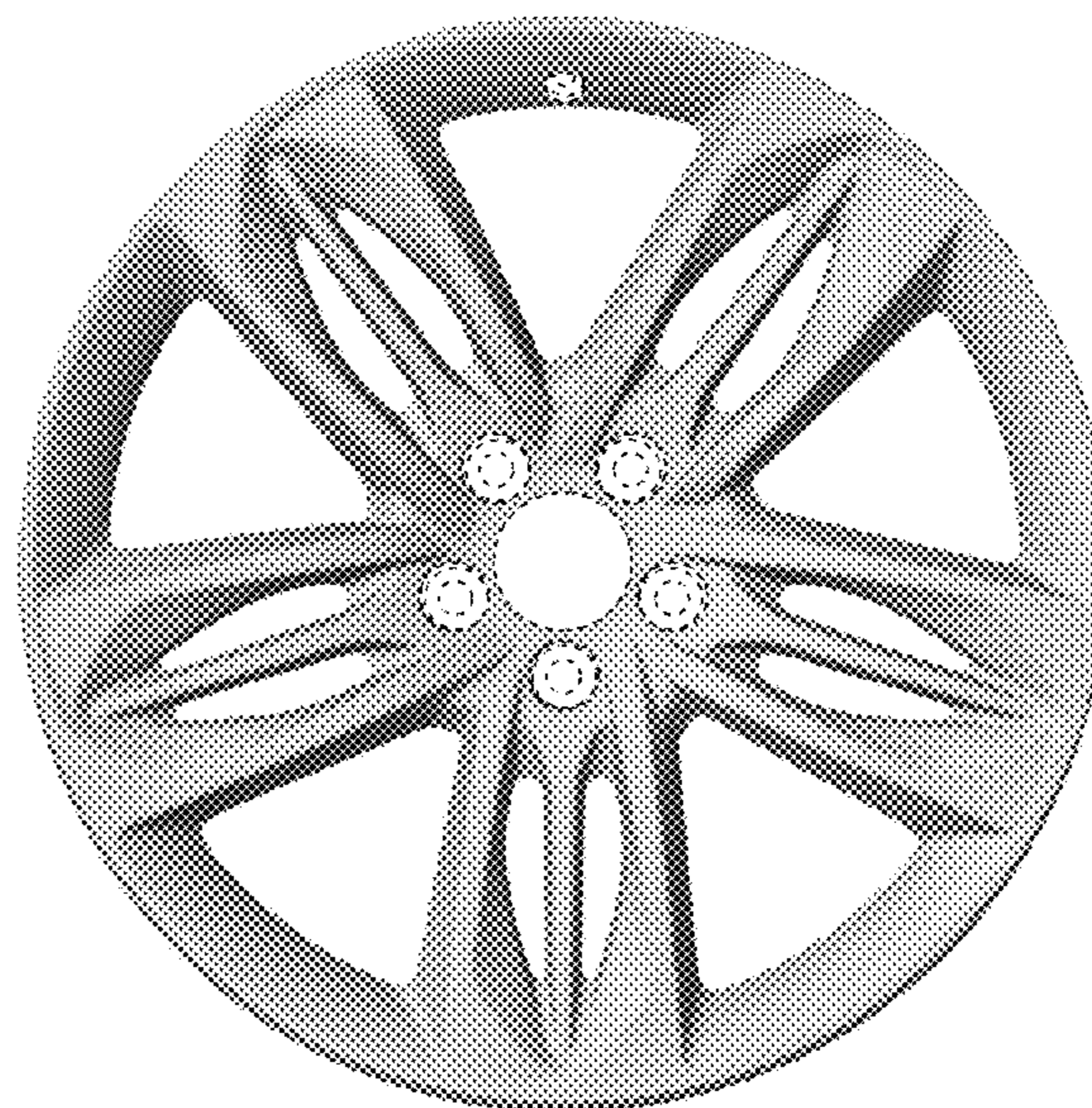
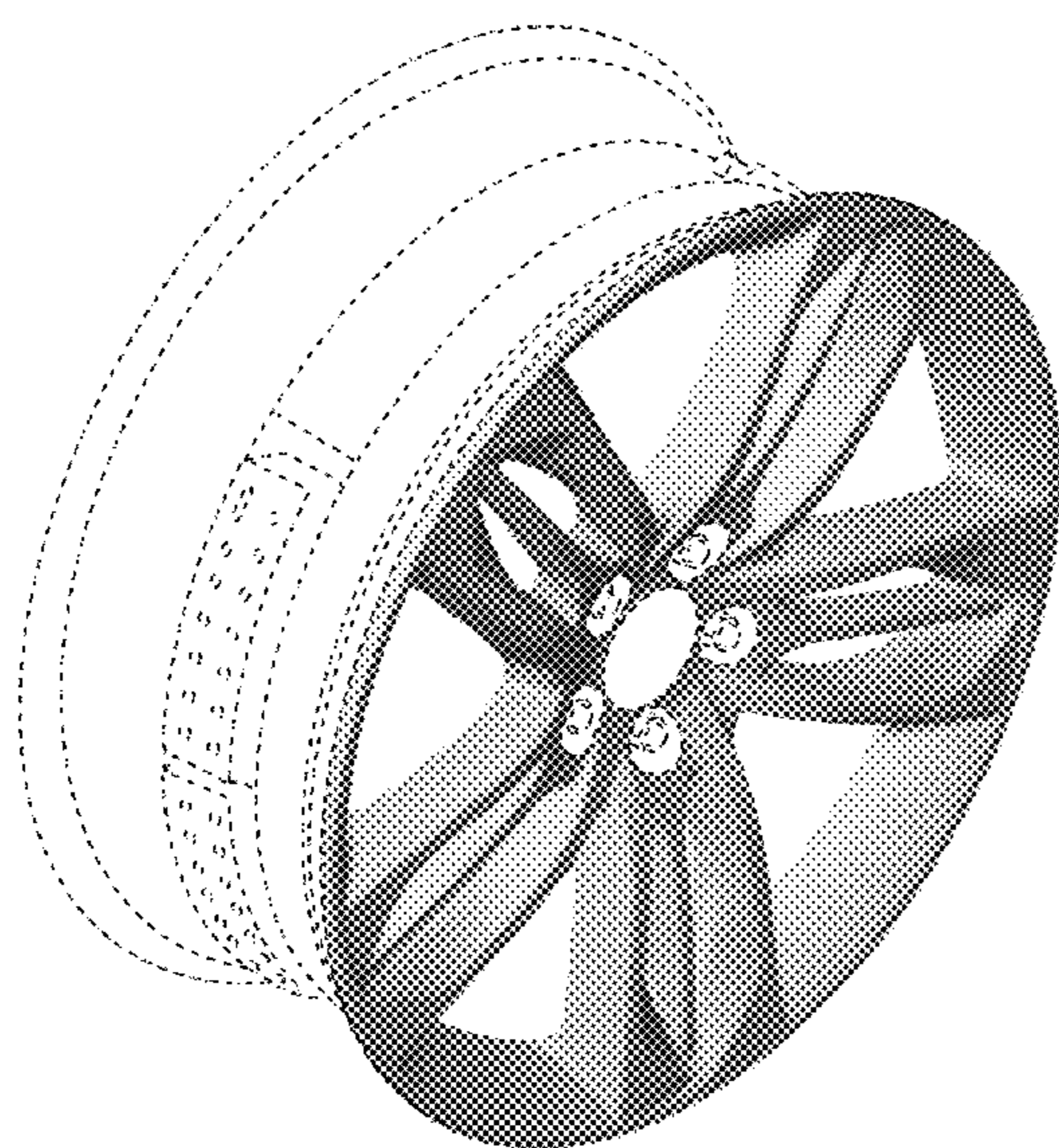
(57) **CLAIM**

The ornamental design for a wheel, as shown and described.

DESCRIPTION

FIG. 1 is a front left perspective view of a wheel showing my new design;
 FIG. 2 is a front right perspective view of the design shown in FIG. 1;
 FIG. 3 is a rear left perspective view of the design shown in FIG. 1;
 FIG. 4 is a rear right perspective view of the design shown in FIG. 1;
 FIG. 5 is a front view of the design shown in FIG. 1;
 FIG. 6 is a rear view of the design shown in FIG. 1;
 FIG. 7 is a left side view of the design shown in FIG. 1;
 FIG. 8 is a right side view of the design shown in FIG. 1;
 FIG. 9 is a top view of the design shown in FIG. 1; and
 FIG. 10 is a bottom view of the design shown in FIG. 1.
 The broken lines shown in the figures are included for the purpose of illustrating portions of the wheel and form no part of the claimed design.

1 Claim, 10 Drawing Sheets



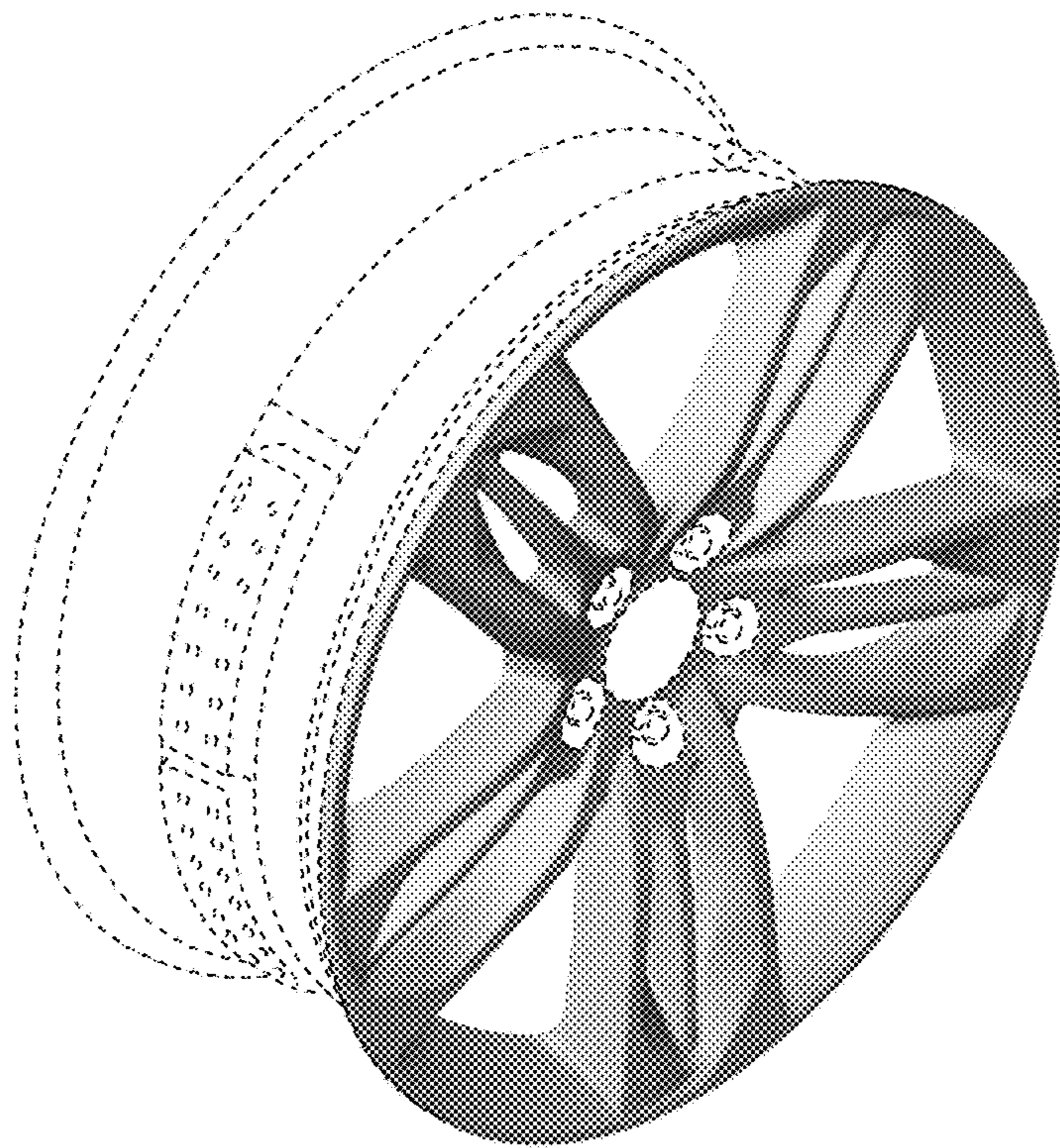


FIG. 1

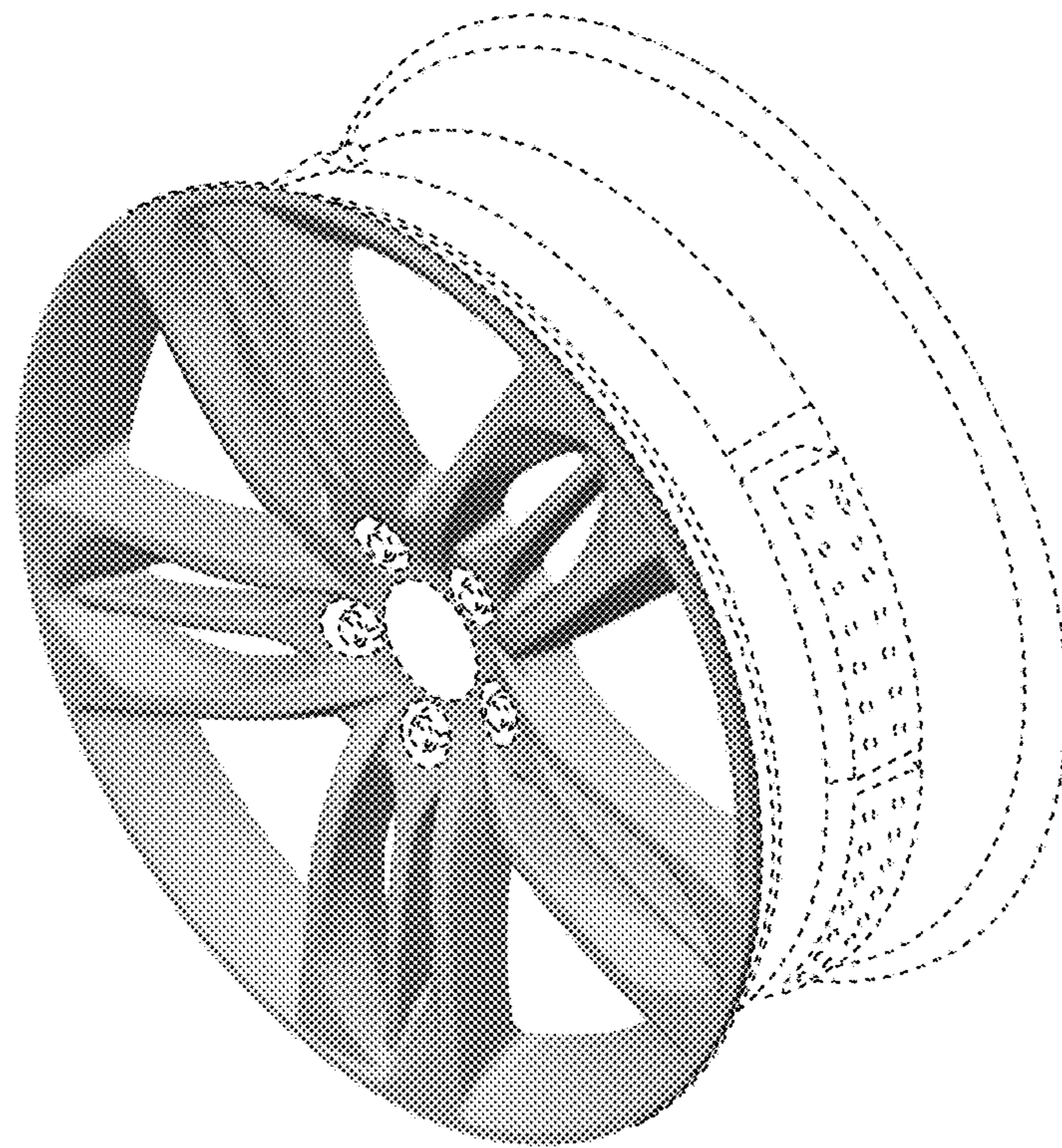


FIG. 2

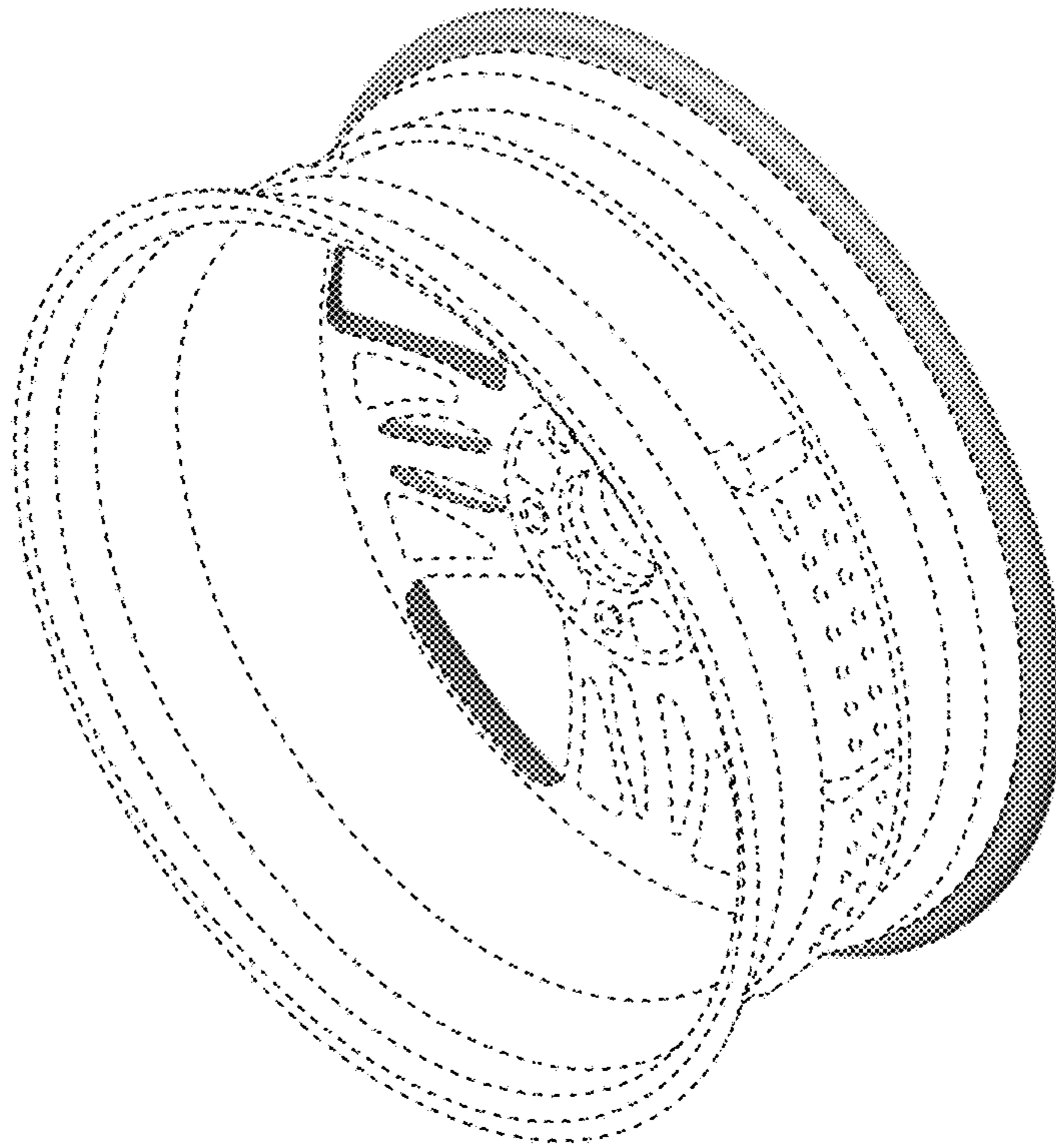


FIG. 3

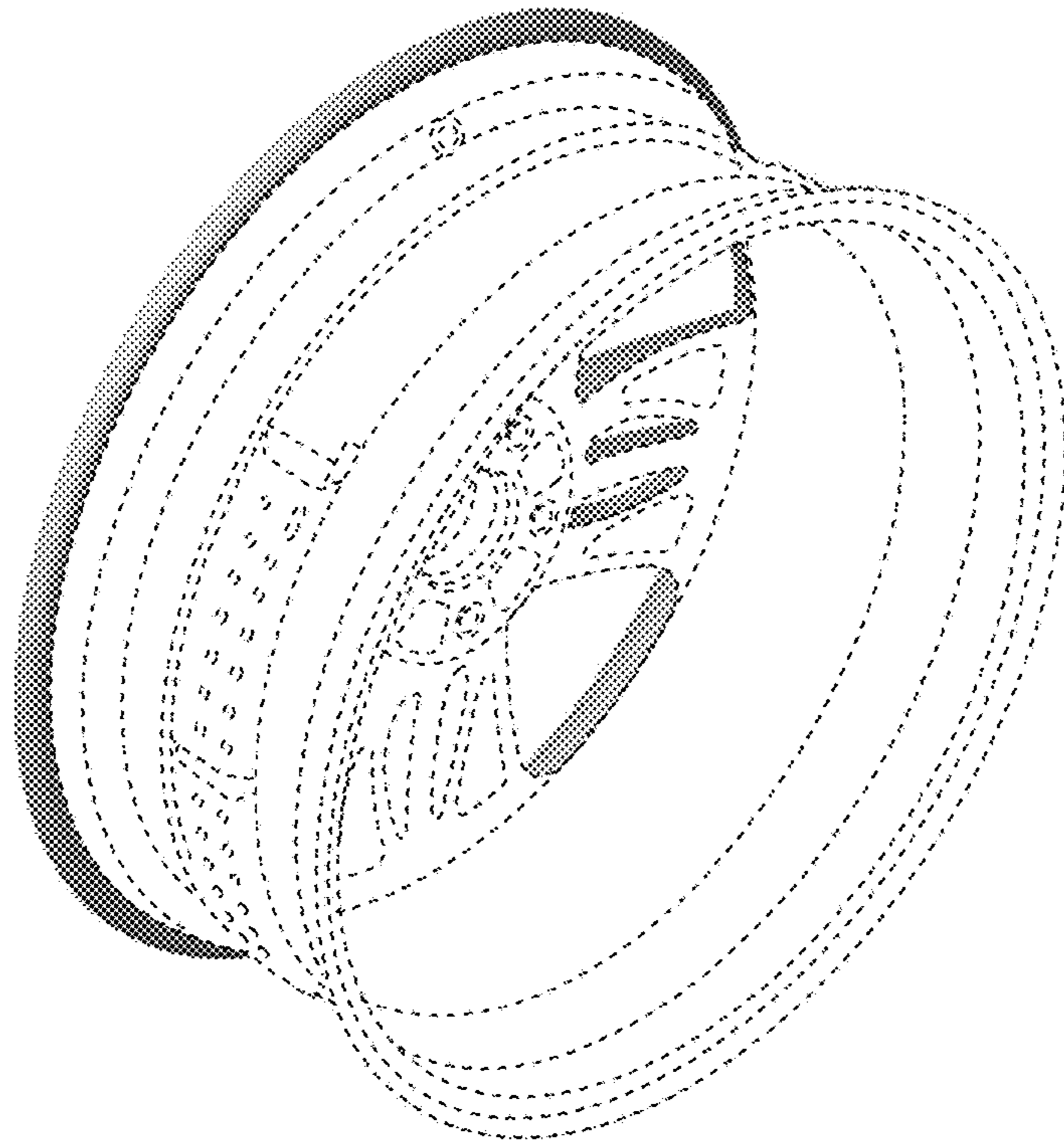


FIG. 4

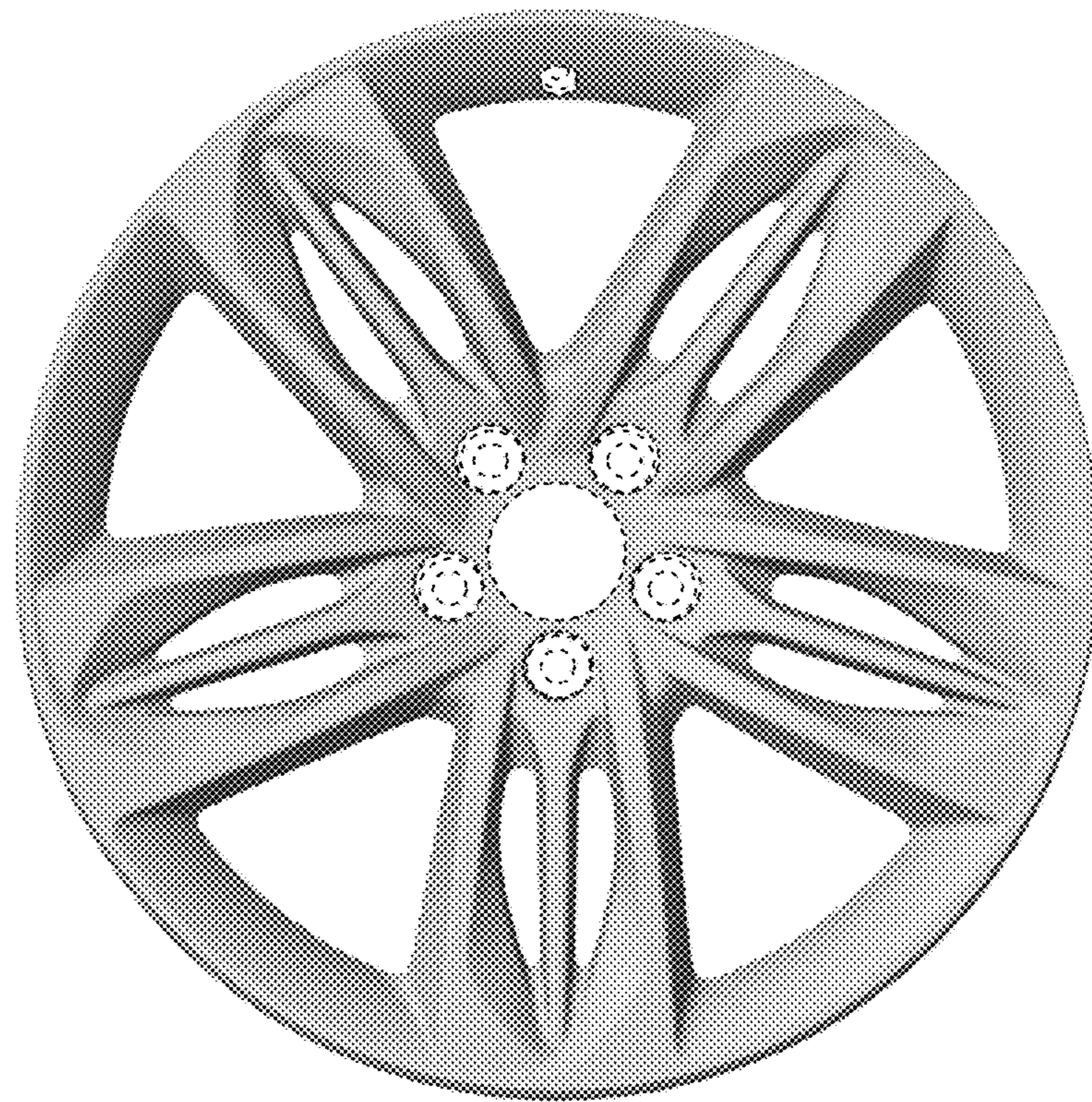


FIG. 5

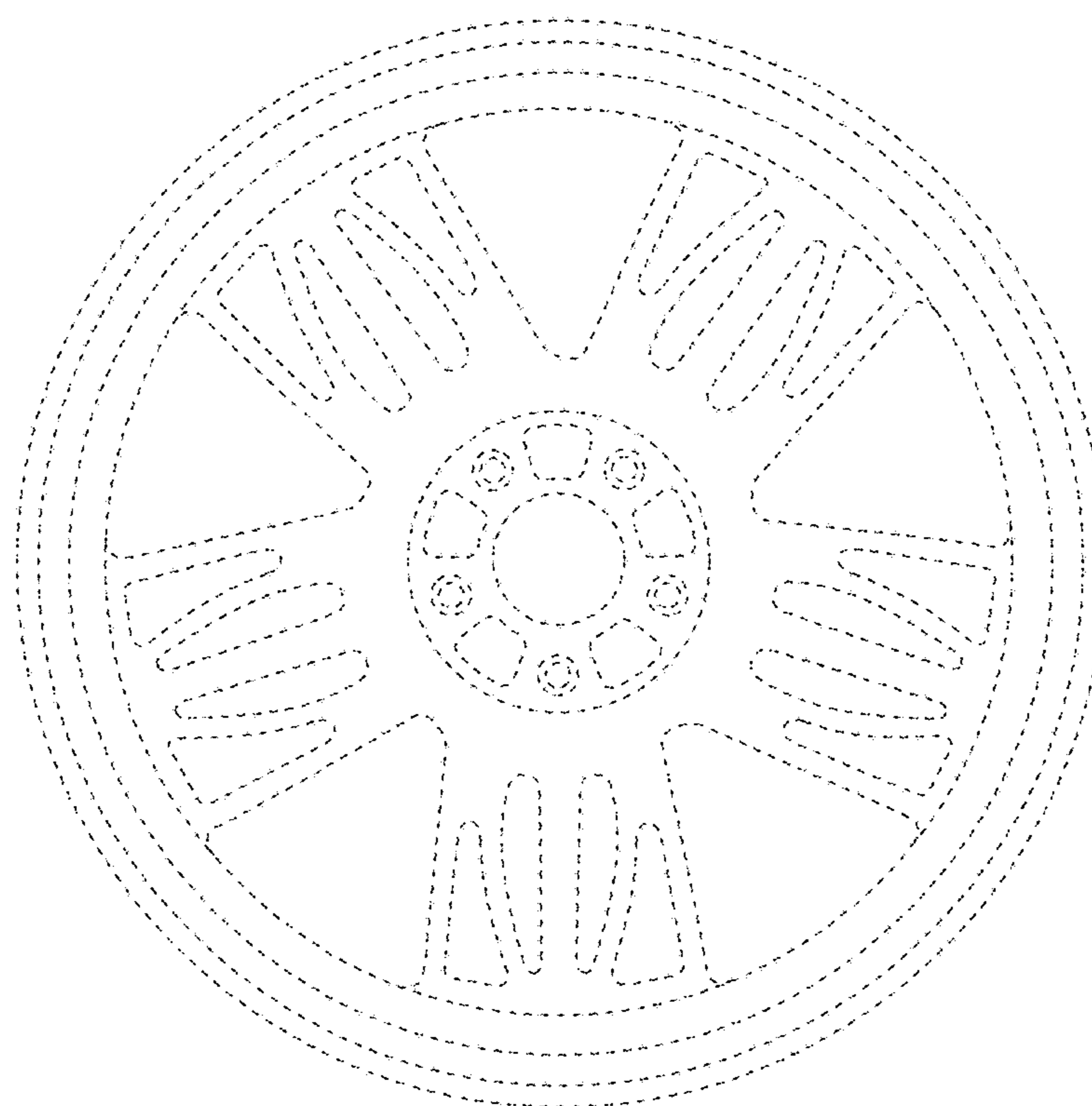


FIG. 6

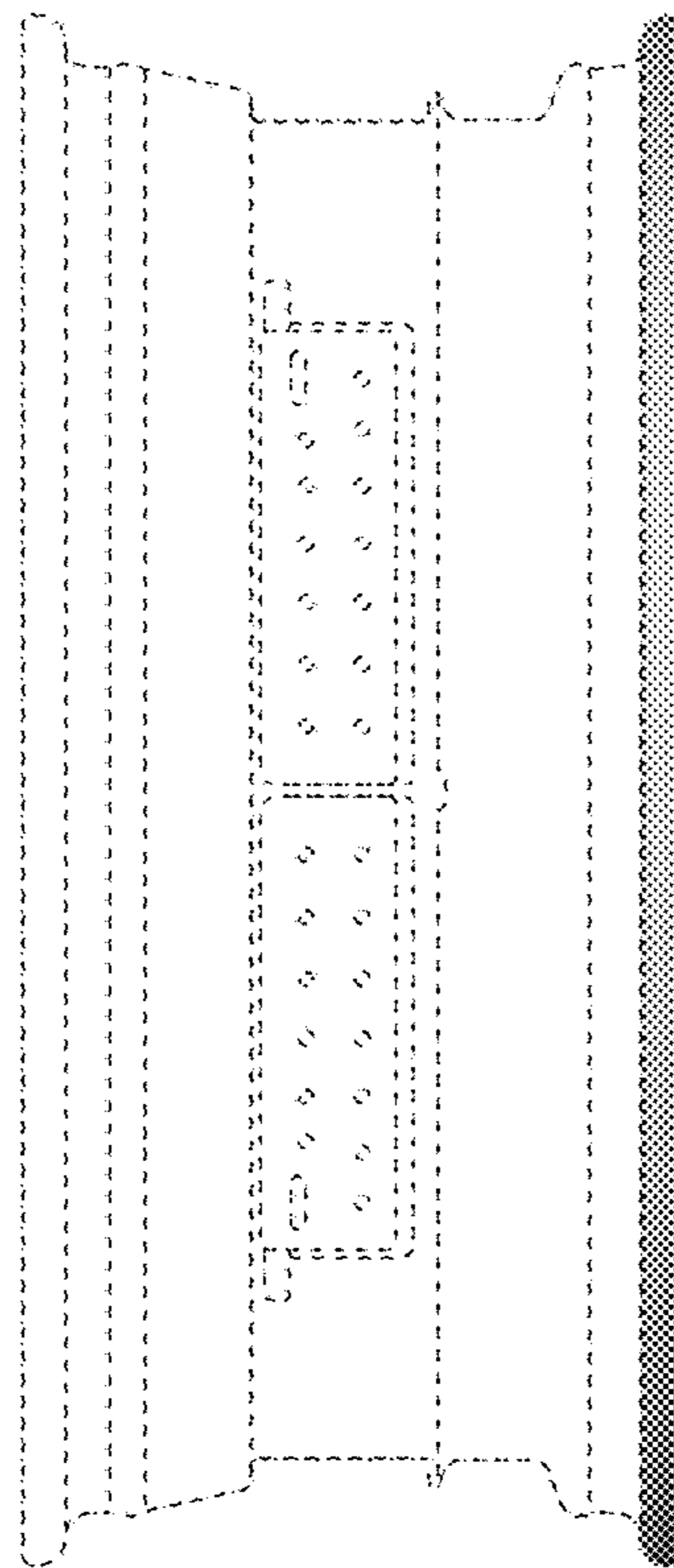


FIG. 7

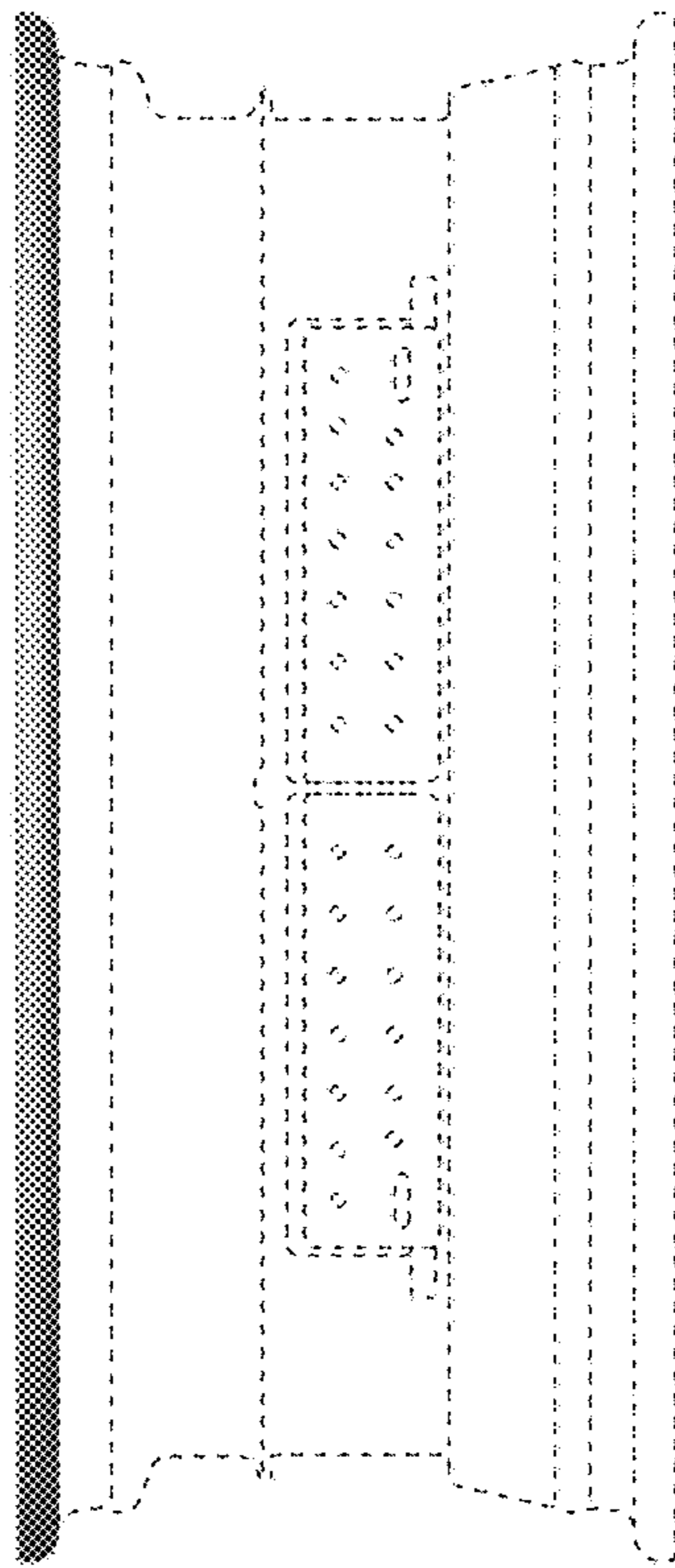


FIG. 8

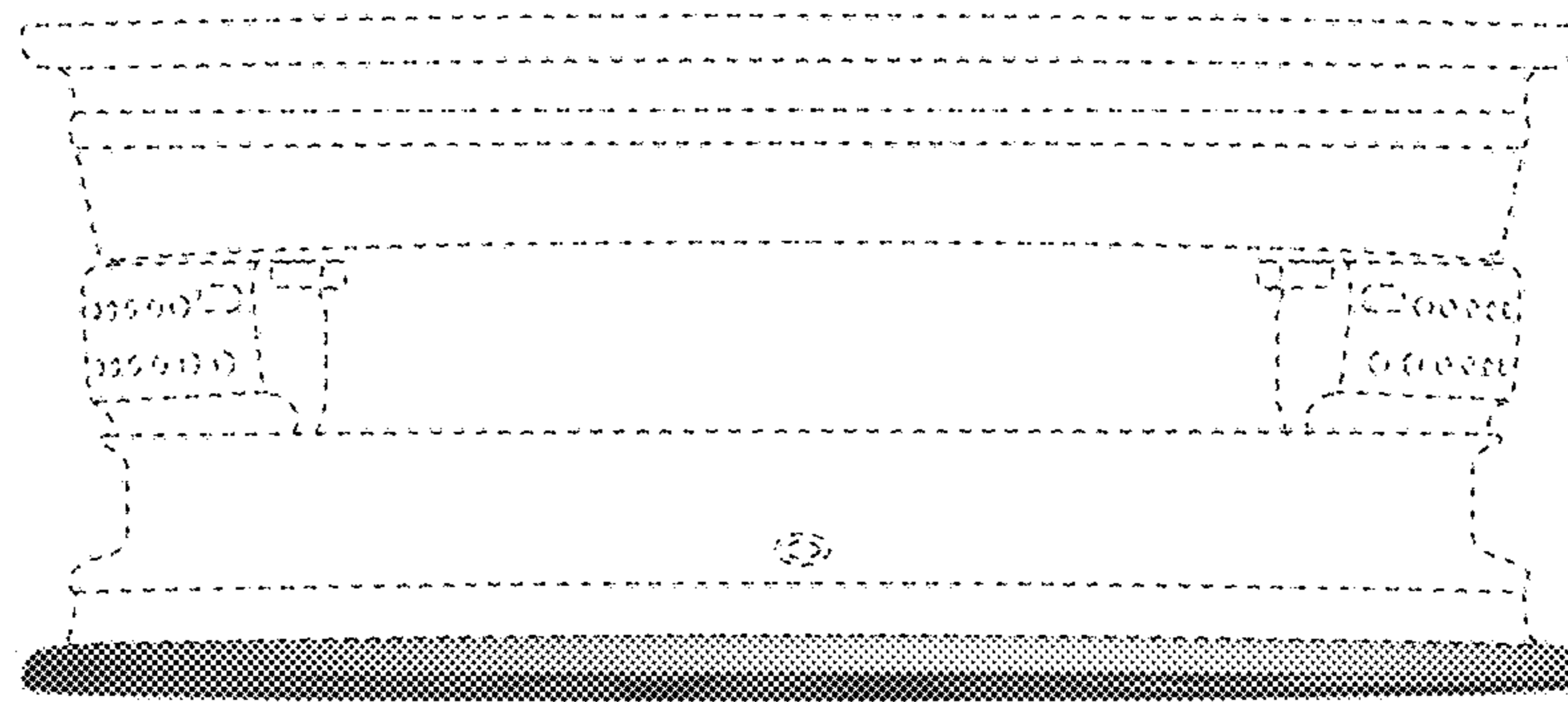


FIG. 9

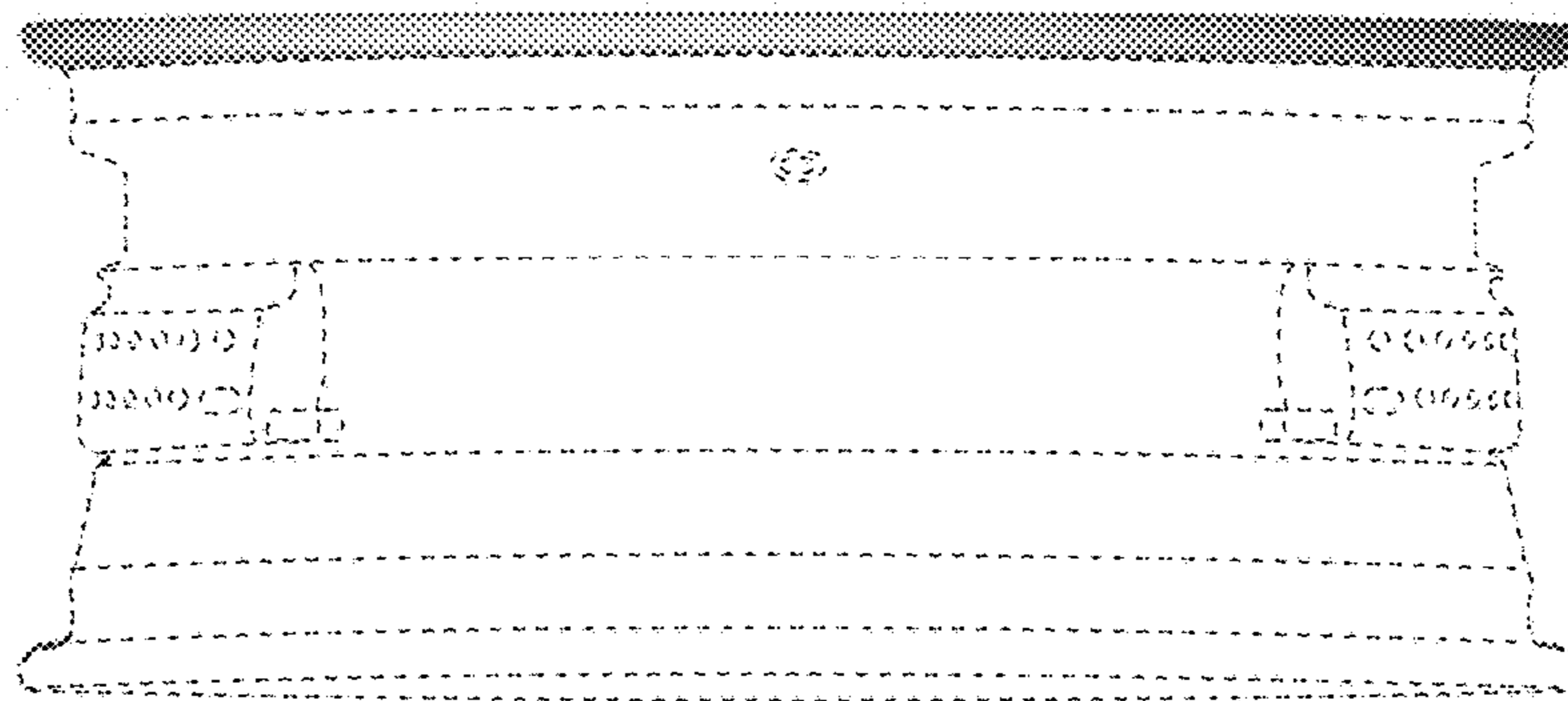


FIG. 10