



US00D856881S

(12) **United States Design Patent** (10) **Patent No.:** **US D856,881 S**
Thogersen (45) **Date of Patent:** **** Aug. 20, 2019**

(54) **REAR FENDER FOR A VEHICLE**
(71) Applicant: **Bayerische Motoren Werke Aktiengesellschaft, Munich (DE)**
(72) Inventor: **Anders Thogersen, Munich (DE)**
(73) Assignee: **Bayerische Motoren Werke Aktiengesellschaft, Munich (DE)**

(**) Term: **15 Years**
(21) Appl. No.: **29/646,409**
(22) Filed: **May 4, 2018**

(30) **Foreign Application Priority Data**

Nov. 10, 2017 (DE) 40 2017 101 231

(51) **LOC (12) Cl.** **12-16**
(52) **U.S. Cl.**
USPC **D12/196**

(58) **Field of Classification Search**
USPC D12/114, 181, 184, 196; D15/28
CPC B62D 25/16; B62D 25/18
See application file for complete search history.

(56) **References Cited**

U.S. PATENT DOCUMENTS

D418,791 S	1/2000	Gabath	
D560,149 S	1/2008	Leclercq	
D583,286 S *	12/2008	Leclercq	D12/184
D585,347 S *	1/2009	Kamimura	D12/184
D597,004 S *	7/2009	Habib	D12/184
D605,572 S *	12/2009	Ward	D12/196
D620,414 S *	7/2010	Froehlich	D12/184
D633,838 S *	3/2011	Loeb	D12/196
D671,873 S *	12/2012	Yamada	D12/196
D696,172 S *	12/2013	Kawasaki	D12/196
D699,170 S *	2/2014	Okue	D12/184
D704,615 S *	5/2014	Mueller	D12/196
D730,258 S *	5/2015	Burki	D12/196

D741,761 S *	10/2015	Mueller-Stolz	D12/184
D766,151 S *	9/2016	Faghihzadeh	D12/196
D770,954 S *	11/2016	Luk	D12/196
D777,634 S *	1/2017	Faghihzadeh	D12/196
D820,755 S *	6/2018	Luk	D12/196
D821,280 S *	6/2018	Szavits	D12/196
D826,810 S *	8/2018	Simm	D12/184

FOREIGN PATENT DOCUMENTS

WO	WO DM/045904	11/1998
WO	WO DM/070931	3/2009
WO	WO DM/073061	8/2010

* cited by examiner

Primary Examiner — Susan Bennett Hattan
Assistant Examiner — Suzanne E Tisdell
(74) *Attorney, Agent, or Firm* — Crowell & Moring LLP

(57) **CLAIM**

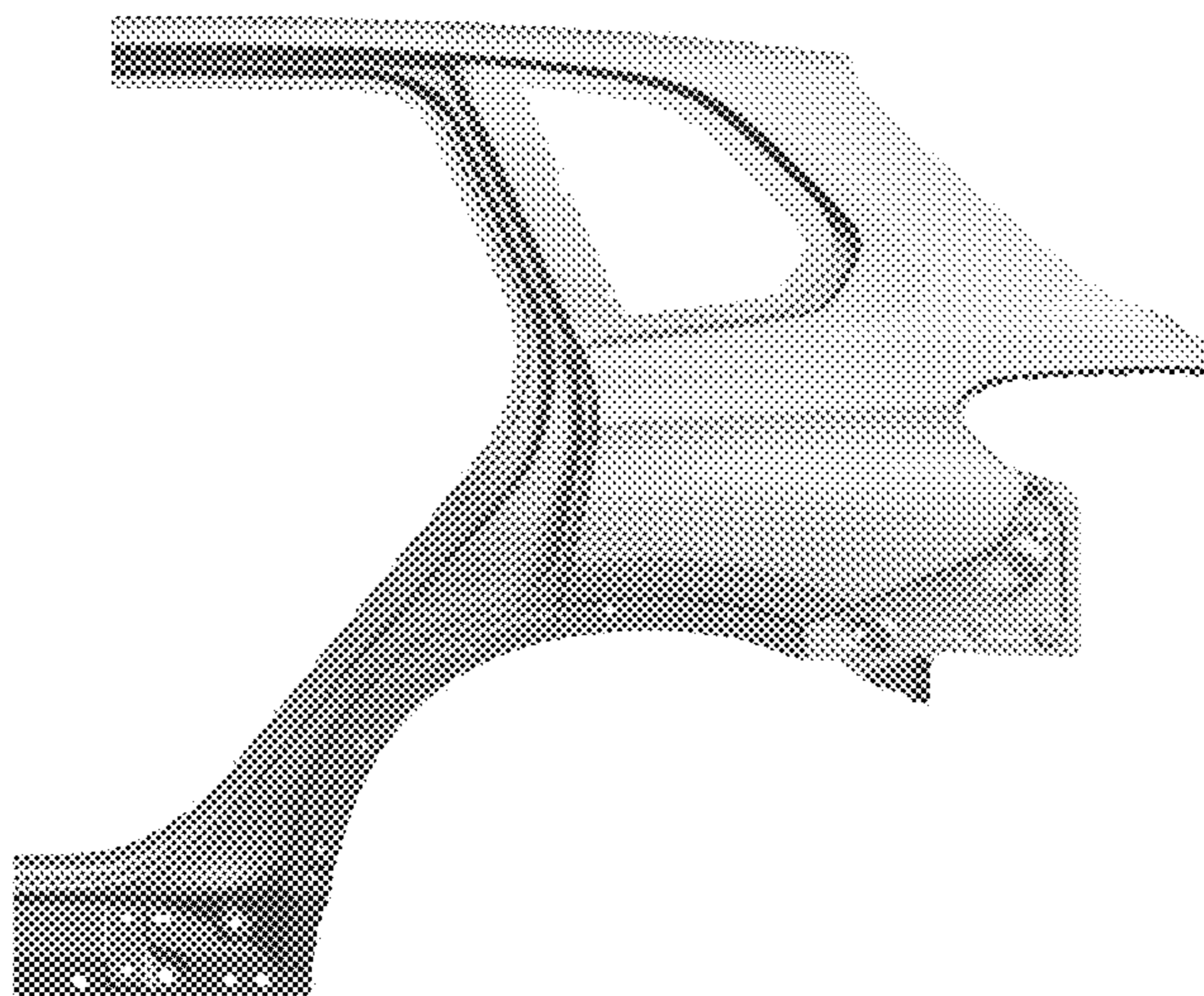
The ornamental design for a rear fender for a vehicle, as shown and described.

DESCRIPTION

This application contains subject matter related to the following co-pending U.S. design patent applications: Application Ser. No. 29/630,702, filed Dec. 22, 2017 and entitled "Rear Fender for a Vehicle"; and Application Ser. No. 29/646,403, filed herewith and entitled "Vehicle, Toy, and/or Replicas Thereof".

FIG. 1 is a front view of a rear fender for a vehicle according to the design;
FIG. 2 is a left perspective view thereof;
FIG. 3 is a right perspective view thereof;
FIG. 4 is a left side view thereof;
FIG. 5 is a right side view thereof;
FIG. 6 is a top view thereof;
FIG. 7 is a bottom view thereof; and,
FIG. 8 is a rear view thereof.

1 Claim, 8 Drawing Sheets



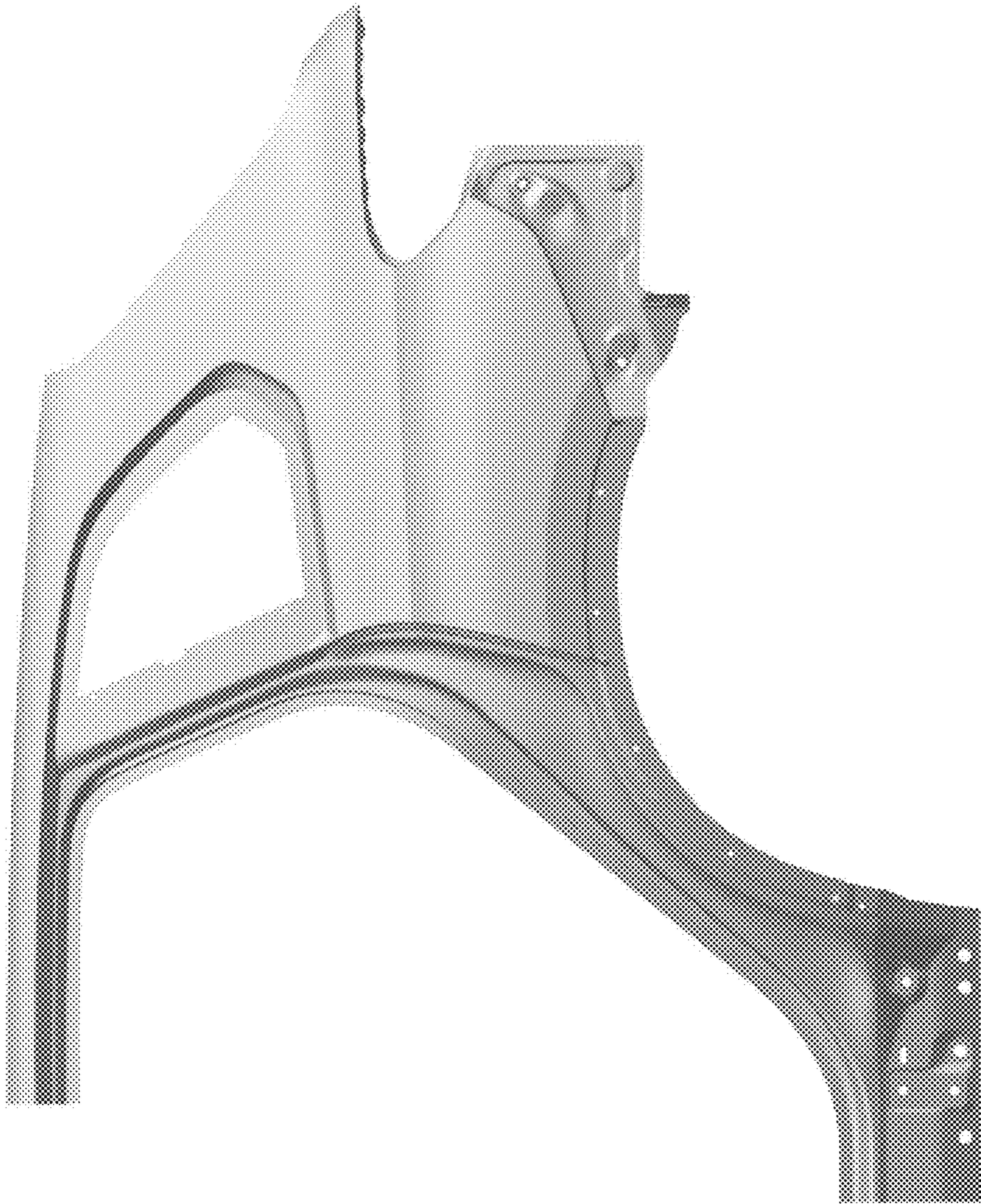


Fig. 1

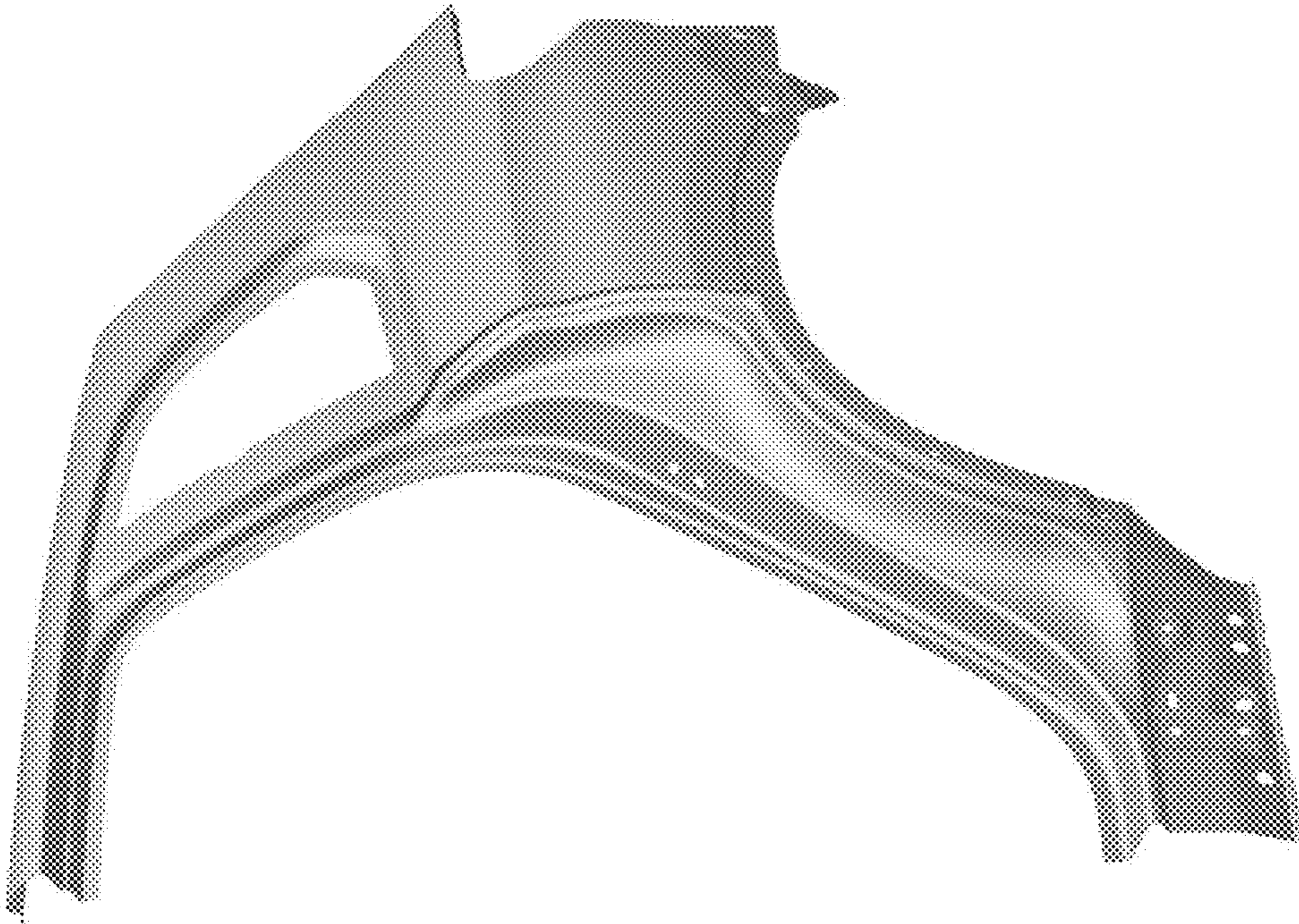


Fig. 2

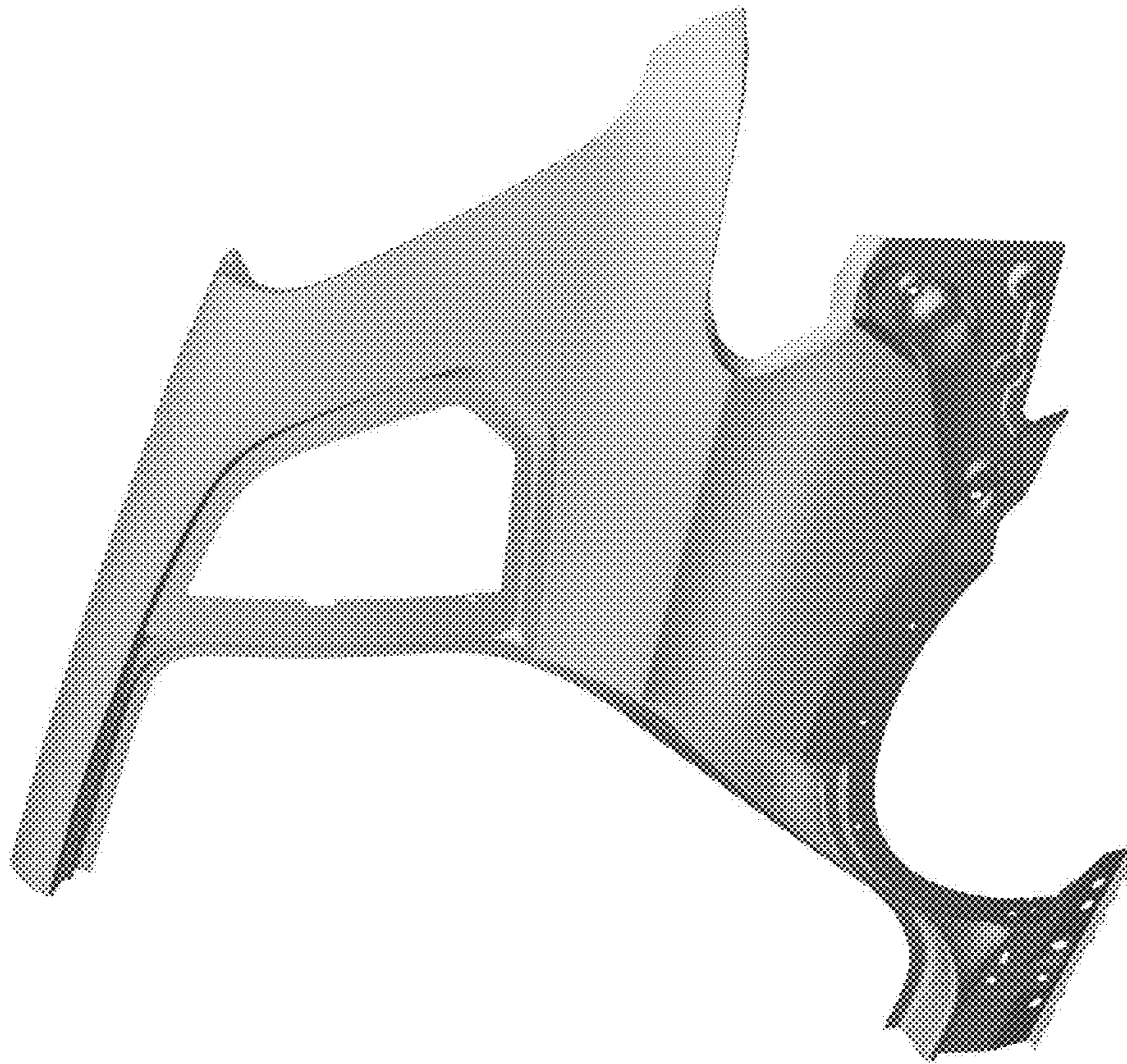


Fig. 3

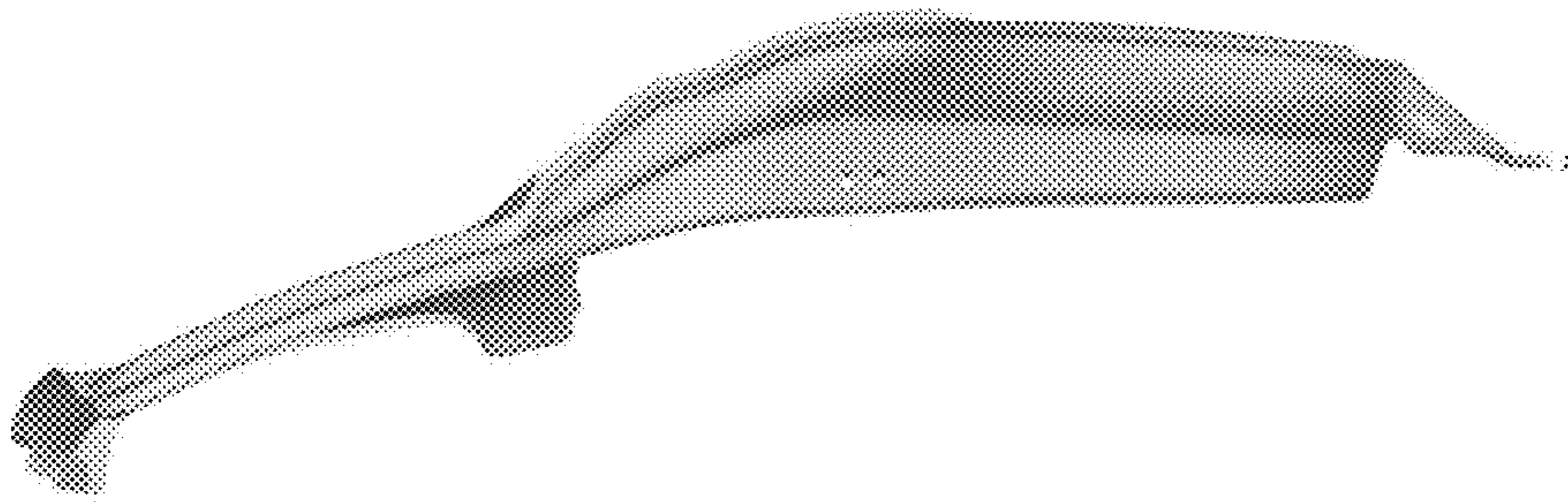


Fig. 4

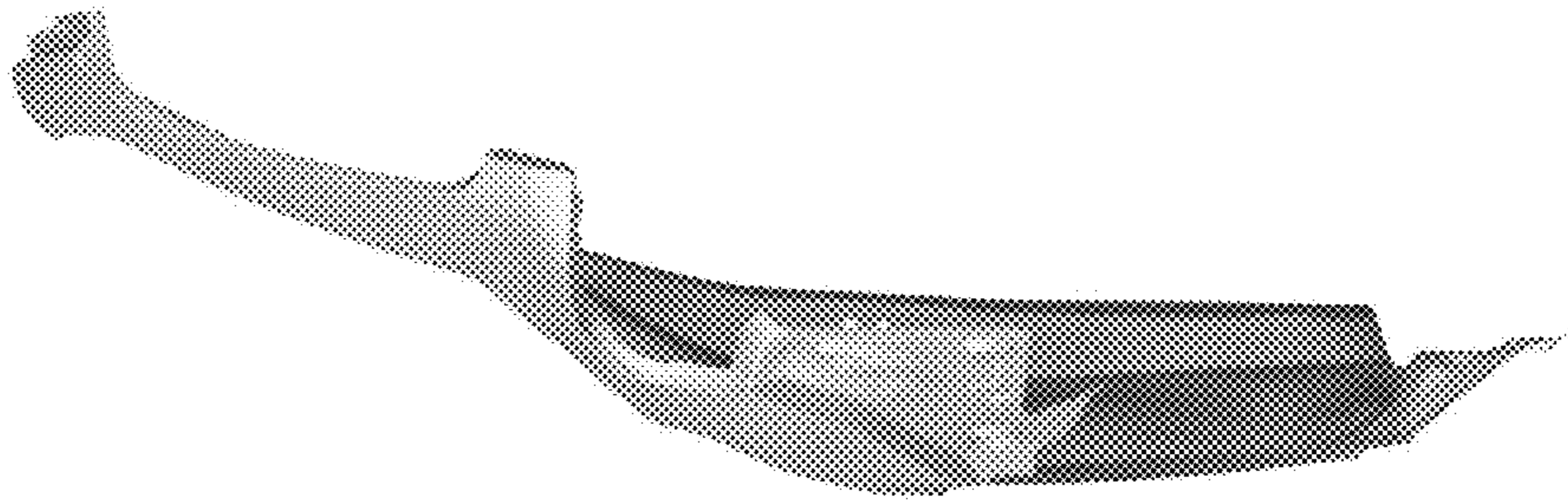


Fig. 5

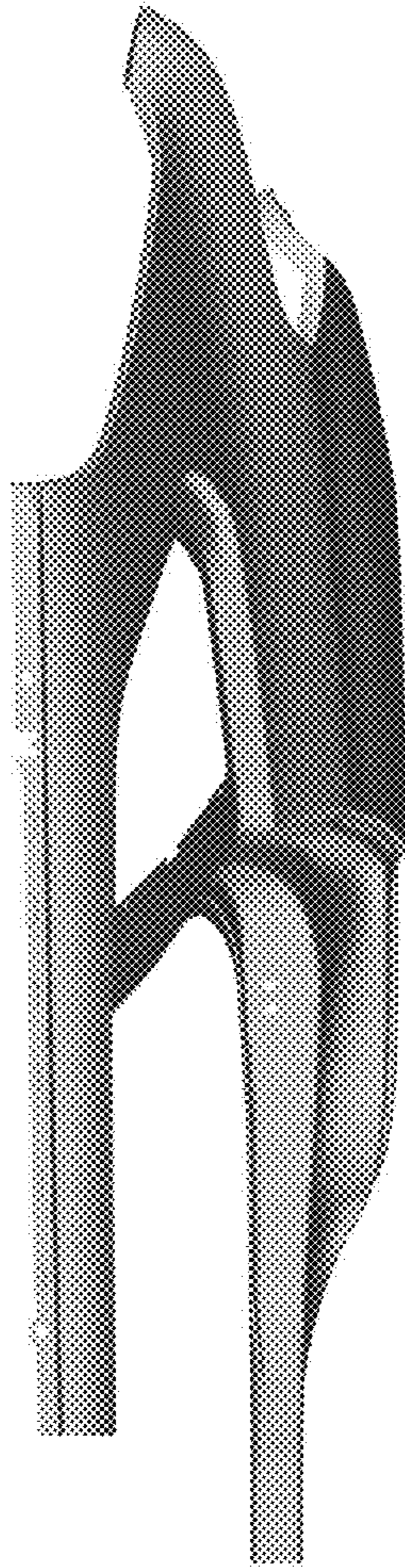


Fig. 6

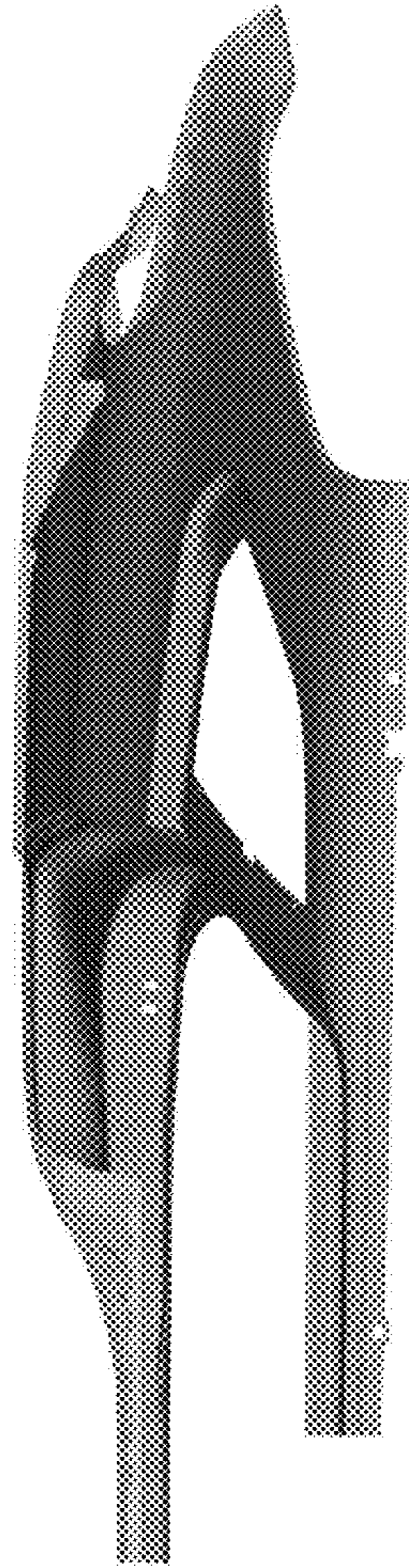


Fig. 7

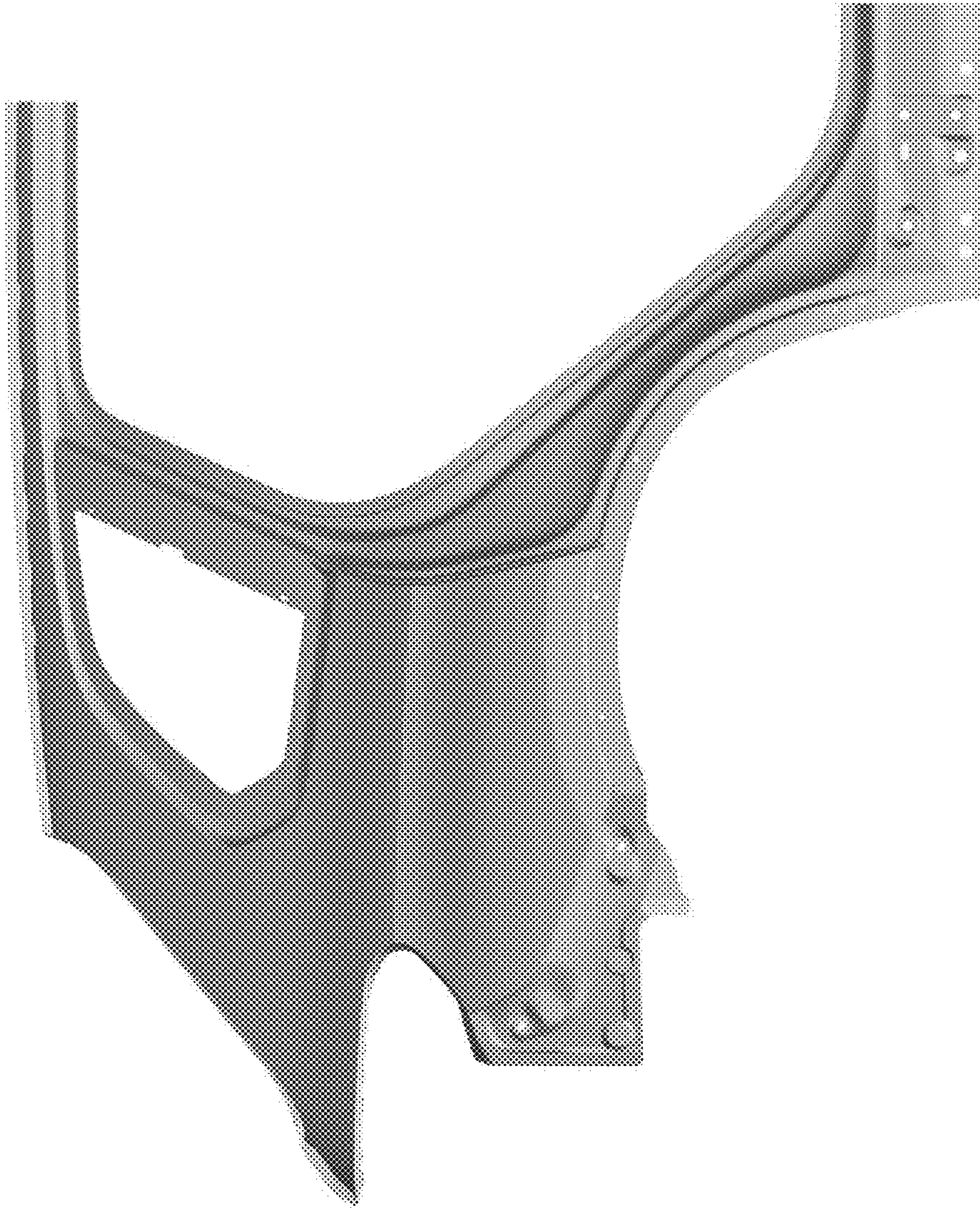


Fig. 8