



US00D856879S

(12) **United States Design Patent** (10) **Patent No.:** **US D856,879 S**  
**Woodhouse et al.** (45) **Date of Patent:** **\*\* Aug. 20, 2019**

(54) **VEHICLE FENDER**  
(71) Applicant: **Ford Global Technologies, LLC**,  
Dearborn, MI (US)  
(72) Inventors: **David Woodhouse**, Troy, MI (US);  
**Earl C. Lucas**, Southfield, MI (US);  
**Shawn Wehrly**, Northville, MI (US);  
**Keith Rogman**, Fenton, MI (US);  
**Johnathan S. Ouyang**, Ann Arbor, MI  
(US)  
(73) Assignee: **Ford Global Technologies, LLC**,  
Dearborn, MI (US)  
(\*\*) Term: **15 Years**  
(21) Appl. No.: **29/624,226**  
(22) Filed: **Oct. 31, 2017**  
(51) **LOC (12) Cl.** ..... **12-16**  
(52) **U.S. Cl.**  
USPC ..... **D12/184**  
(58) **Field of Classification Search**  
USPC ..... D12/114, 181, 184, 196; D15/28  
CPC ..... B62D 25/16; B62D 25/18  
See application file for complete search history.

(56) **References Cited**  
U.S. PATENT DOCUMENTS  
9,278,716 B1 \* 3/2016 Joseph ..... B62D 25/18  
D756,870 S \* 5/2016 Tsutamori ..... D12/184  
D758,935 S \* 6/2016 Platto ..... D12/184  
9,403,557 B1 \* 8/2016 Sharma ..... C21D 1/06  
9,487,238 B2 \* 11/2016 Iwano ..... B62D 25/025  
D775,031 S \* 12/2016 Frascella ..... D12/184  
D787,395 S \* 5/2017 Curic ..... D12/181  
9,669,876 B2 \* 6/2017 Iwano ..... B62D 25/04  
9,738,322 B2 \* 8/2017 Matthiessen ..... B62D 25/02

D803,119 S \* 11/2017 Beermann ..... D12/184  
D803,741 S \* 11/2017 Tsubaki ..... D12/184  
D805,013 S \* 12/2017 Whitla ..... D12/181  
D806,622 S \* 1/2018 Granlund ..... D12/184  
D807,261 S \* 1/2018 Zavatski ..... D12/184  
9,890,966 B2 \* 2/2018 Mueller ..... B62D 25/16  
D817,829 S \* 5/2018 Behmer ..... D12/184  
D820,751 S \* 6/2018 Luk ..... D12/184  
D823,741 S \* 7/2018 Kim ..... D12/169  
10,023,241 B2 \* 7/2018 Umemoto ..... B62D 25/161  
10,035,543 B2 \* 7/2018 Sato ..... B60J 5/0444  
D826,811 S \* 8/2018 Lim ..... D12/184  
D827,527 S \* 9/2018 Loeb ..... D12/184  
D827,528 S \* 9/2018 Gueler ..... D12/184  
D827,529 S \* 9/2018 Al Attar ..... D12/184  
D828,254 S \* 9/2018 Simm ..... D12/184  
10,077,085 B2 \* 9/2018 Pfaffelhuber ..... B62D 27/02

\* cited by examiner

*Primary Examiner* — Susan Bennett Hattan  
*Assistant Examiner* — Suzanne E Tisdell  
(74) *Attorney, Agent, or Firm* — Vichit Chea

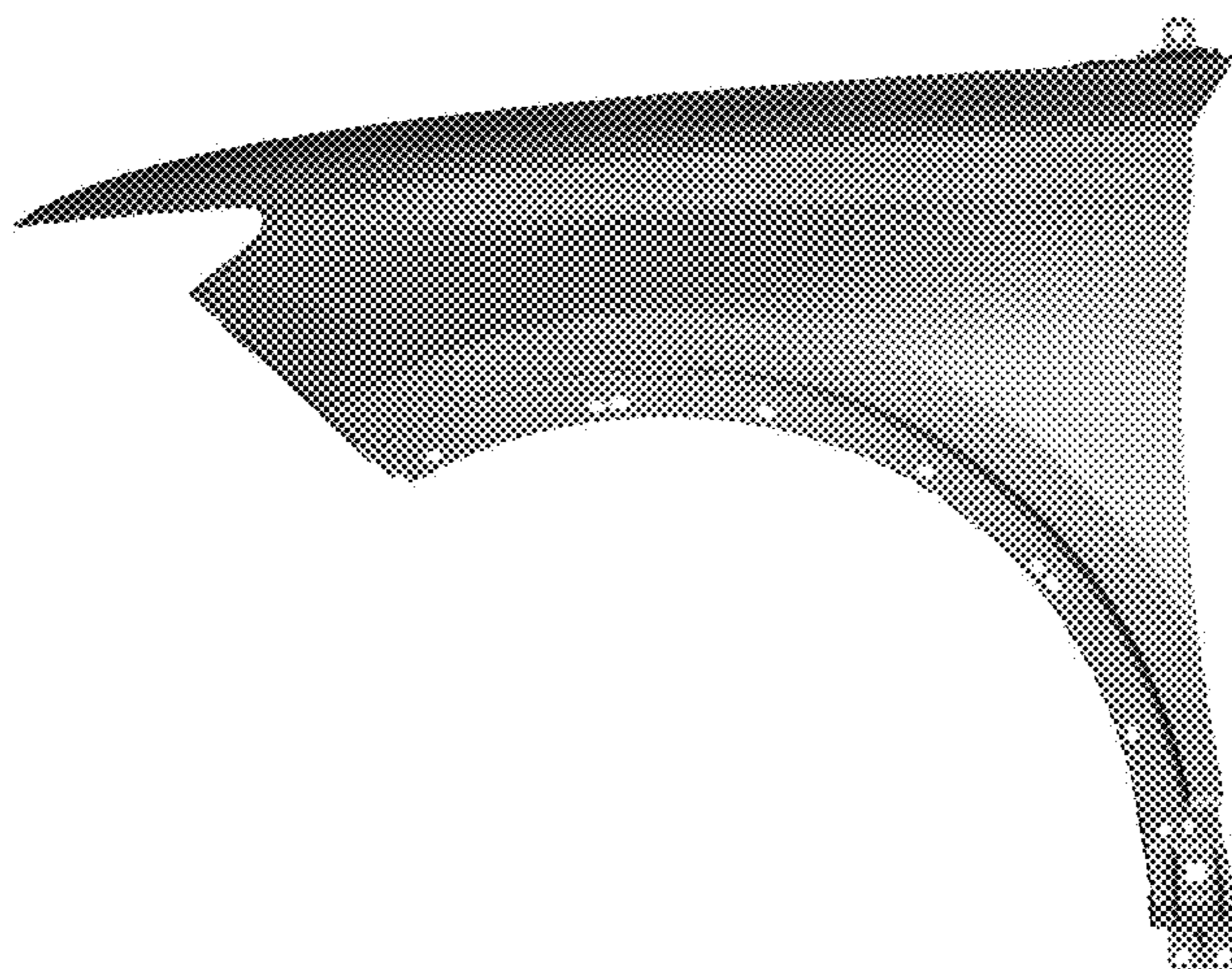
(57) **CLAIM**

The ornamental design for a vehicle fender, as shown and described.

**DESCRIPTION**

FIG. 1 is a top, front and left side perspective view of a left vehicle fender, showing our new design;  
FIG. 2 is a top, rear and left side perspective view thereof;  
FIG. 3 is a top, rear and left side perspective view thereof;  
FIG. 4 is a front elevational view thereof;  
FIG. 5 is a rear elevational view thereof;  
FIG. 6 is a left side elevational view thereof;  
FIG. 7 is a right side elevational view thereof;  
FIG. 8 is a top plan view thereof; and,  
FIG. 9 is a bottom plan view thereof.

**1 Claim, 9 Drawing Sheets**



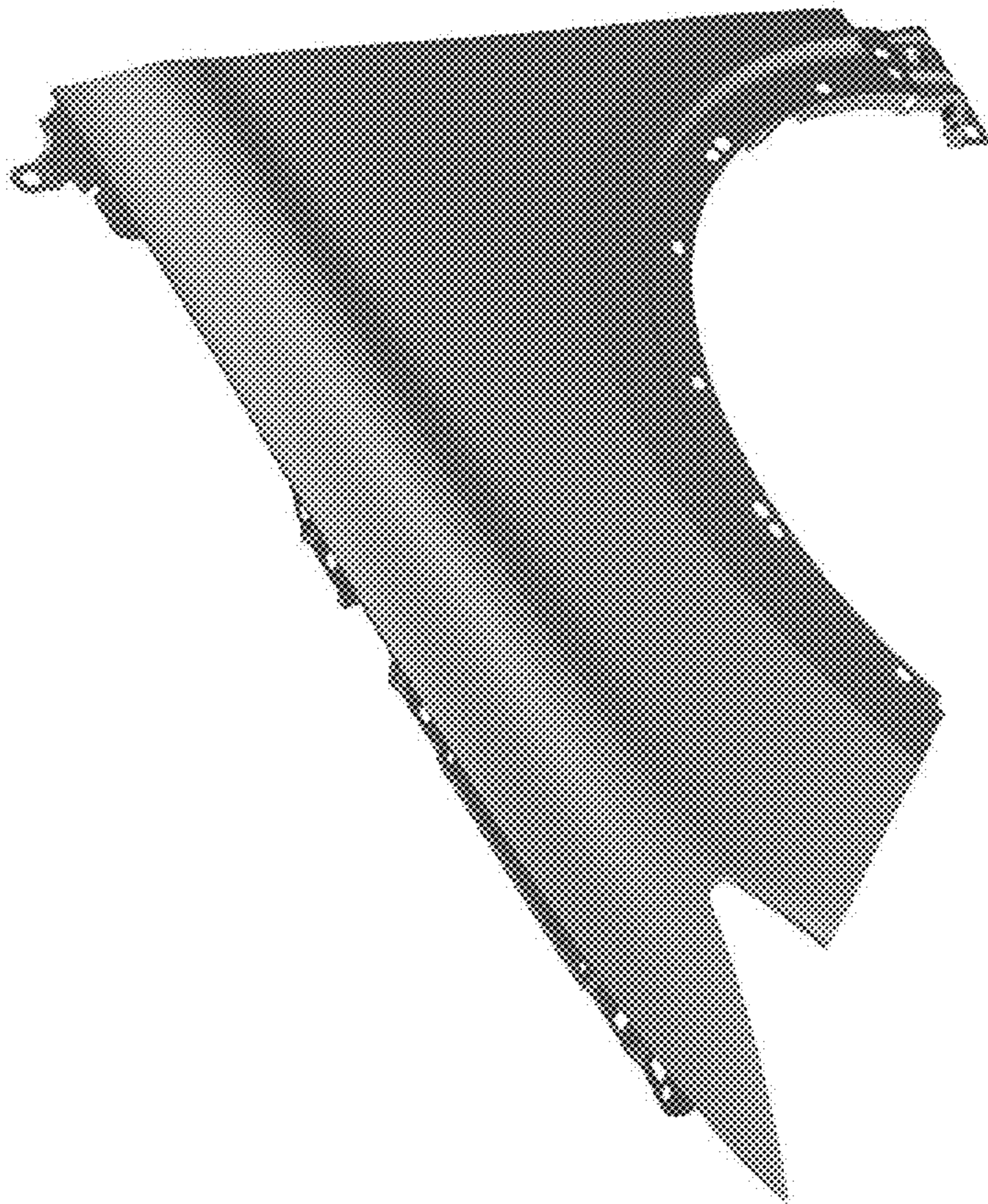


Figure 1

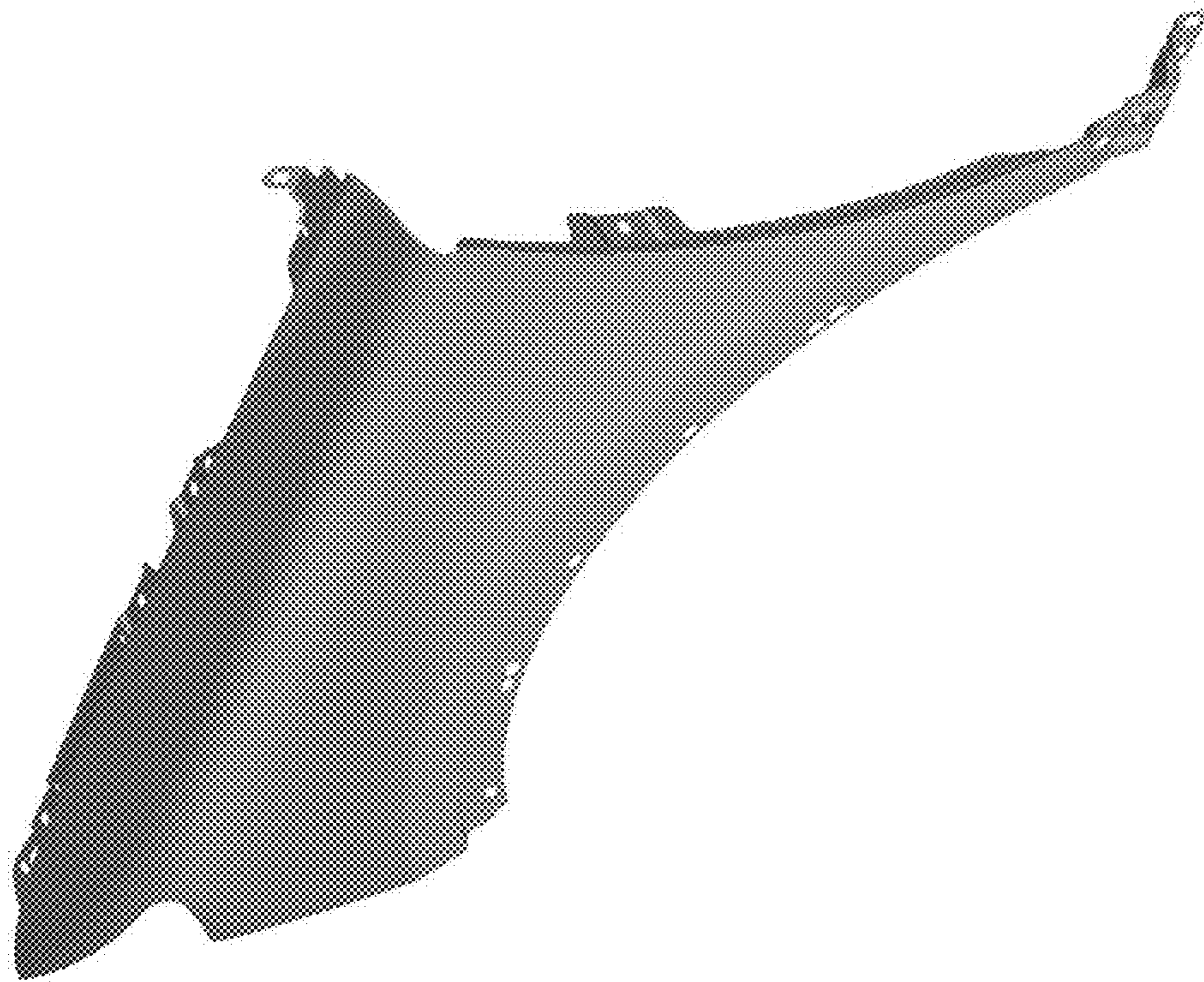


Figure 2

Figure 3

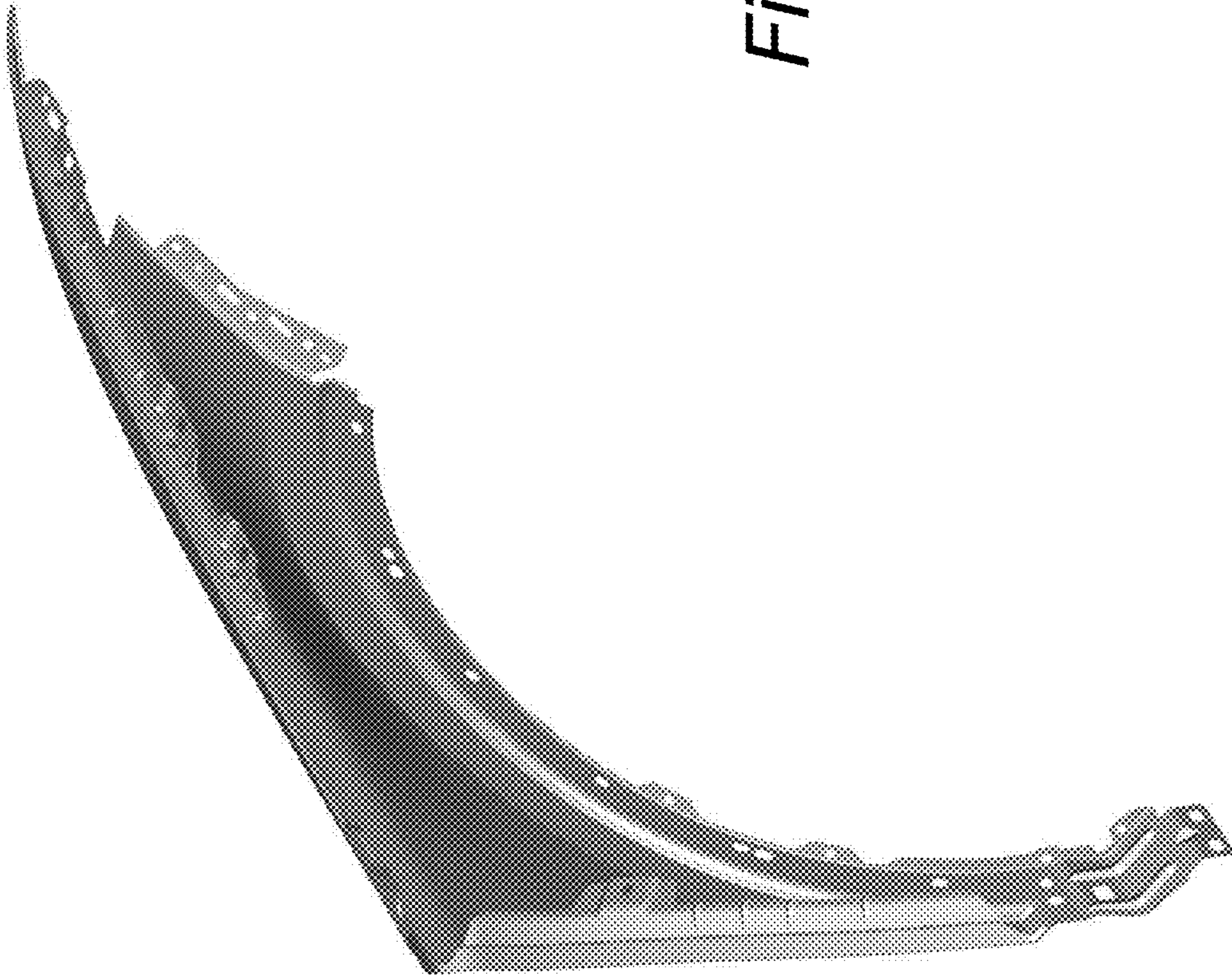




Figure 4



Figure 5

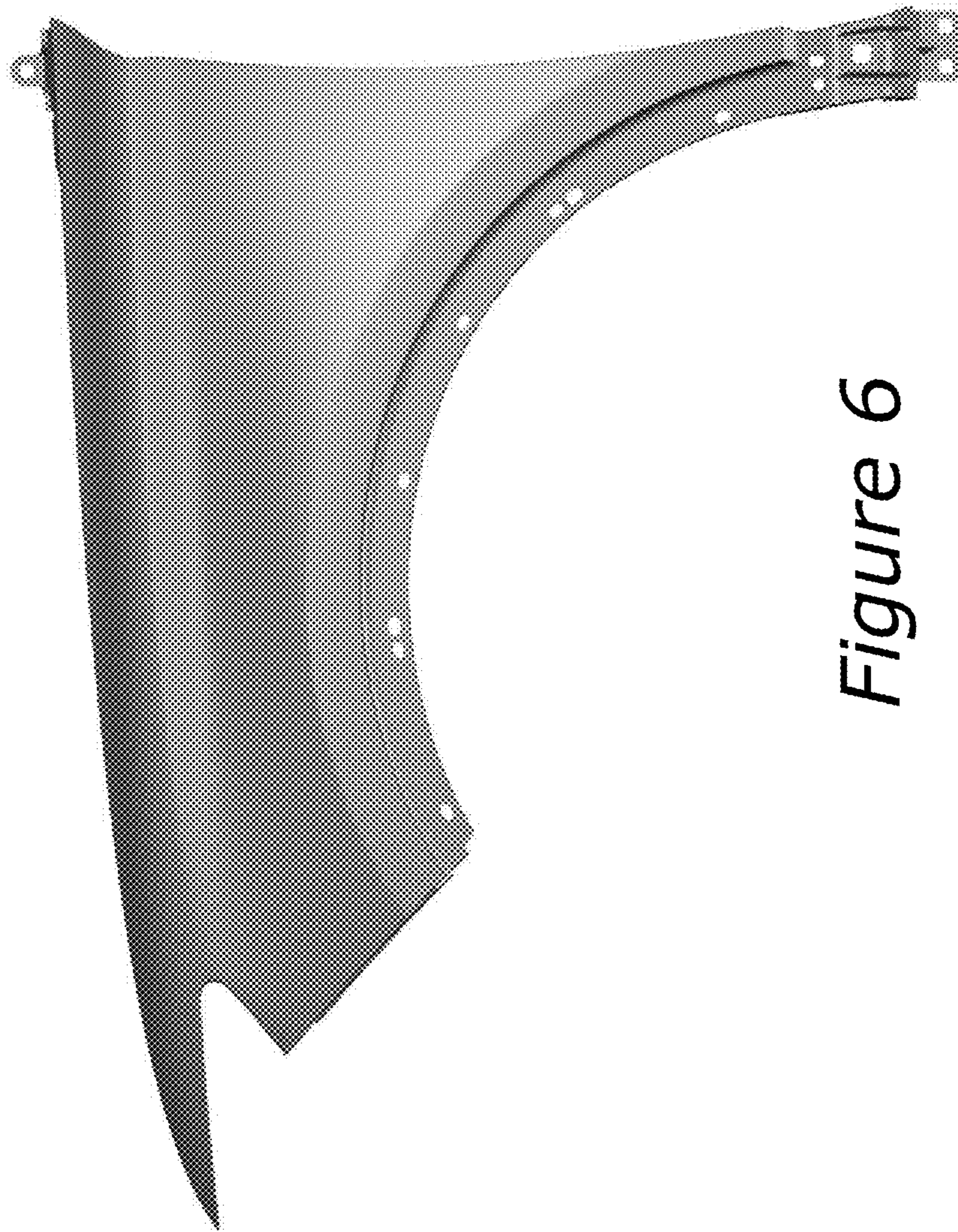


Figure 6

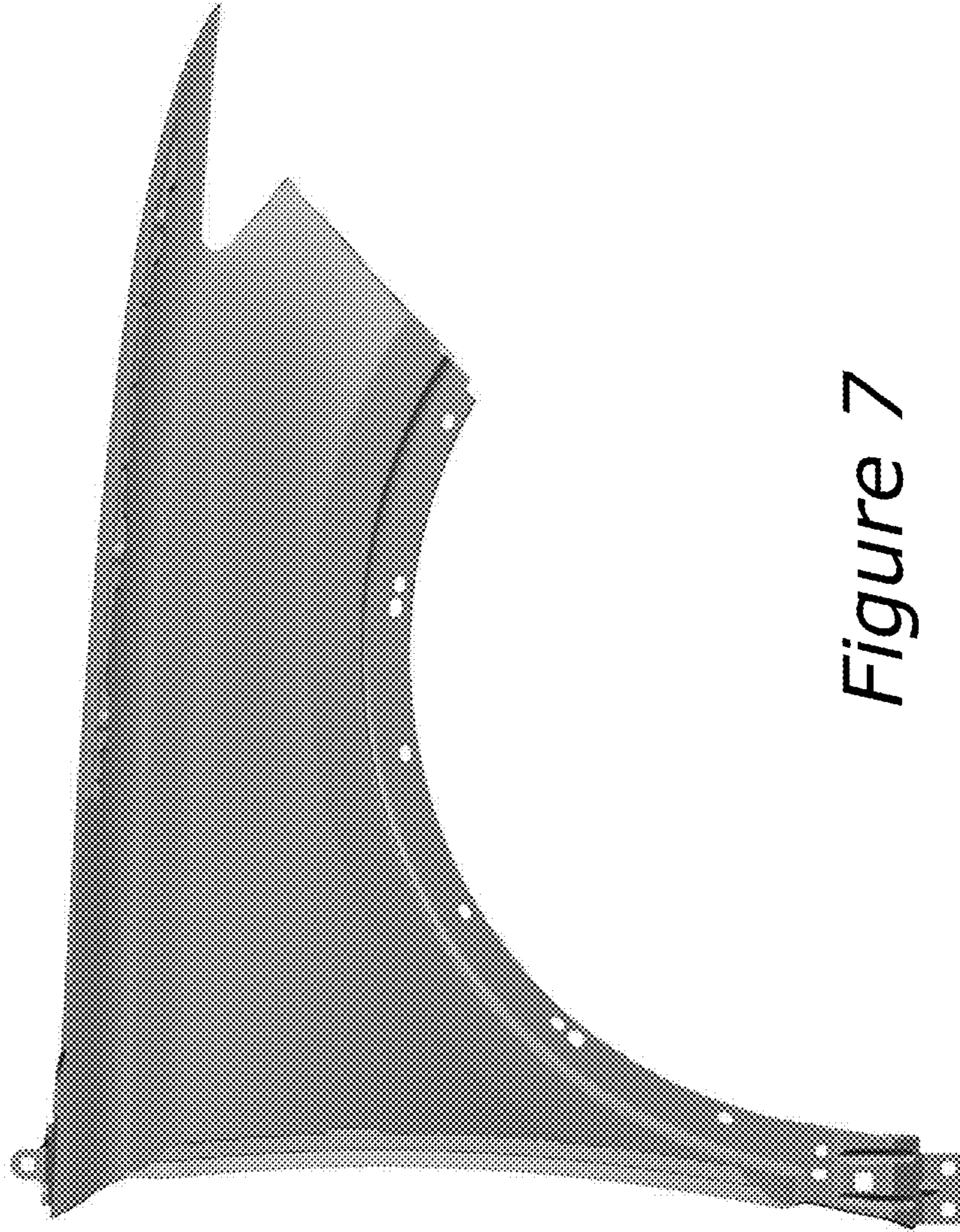


Figure 7



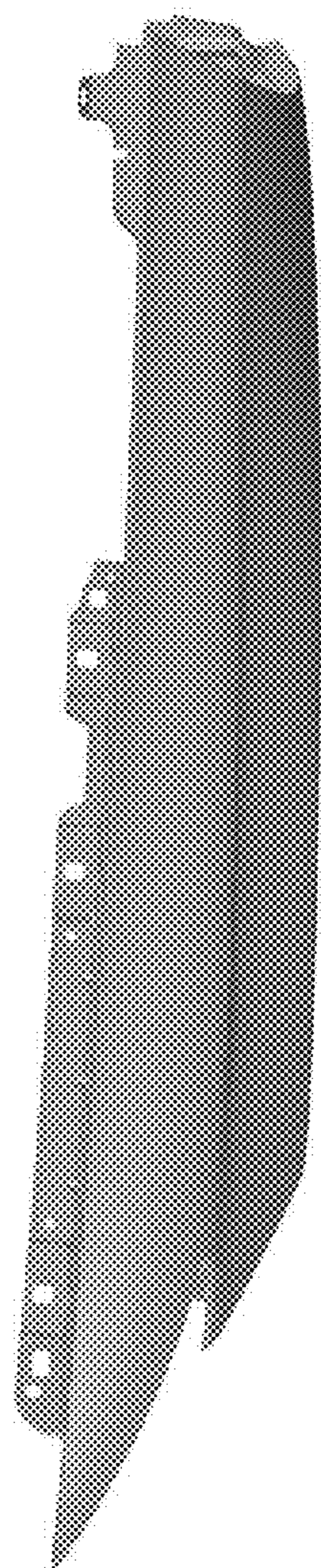


Figure 8

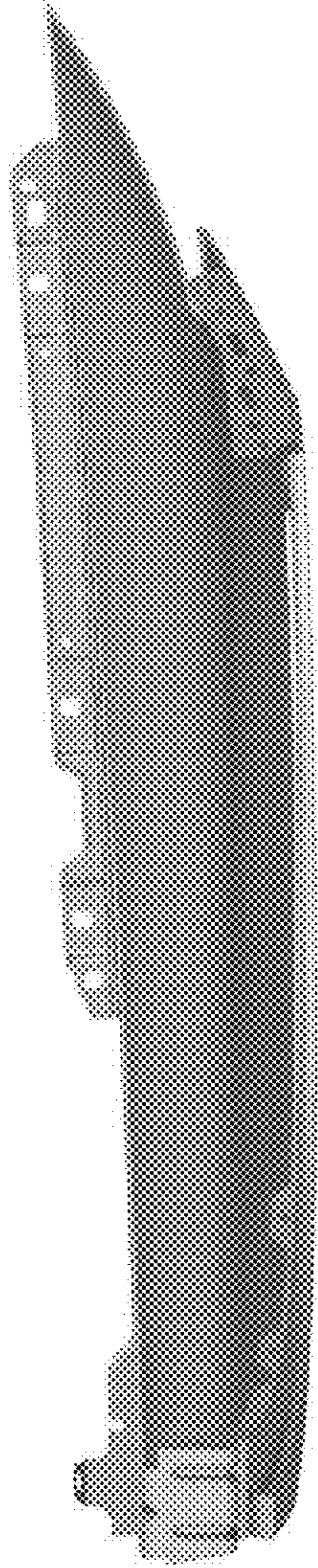


Figure 9