



US00D856877S

(12) **United States Design Patent** (10) **Patent No.:** **US D856,877 S**
Smith (45) **Date of Patent:** **** Aug. 20, 2019**

(54) **HANDLEBAR**
 (71) Applicant: **Robert Smith**, Spicewood, TX (US)
 (72) Inventor: **Robert Smith**, Spicewood, TX (US)
 (**) Term: **15 Years**
 (21) Appl. No.: **29/632,398**
 (22) Filed: **Jan. 8, 2018**

D604,212 S * 11/2009 Carlini D12/178
 D612,307 S * 3/2010 Lujan D12/178
 D621,755 S * 8/2010 Carlini D12/178
 D629,343 S * 12/2010 Carlini D12/178
 D639,211 S * 6/2011 Lujan D12/110
 D658,098 S * 4/2012 Plainfield D12/178
 D664,079 S * 7/2012 Lujan D12/178
 D687,753 S * 8/2013 Carlini D12/178
 D689,418 S * 9/2013 Menefee D12/178
 D725,455 S * 3/2015 Carlini D8/303
 D726,607 S * 4/2015 Rickard D12/178
 D727,808 S * 4/2015 Heinz D12/178
 2012/0210821 A1* 8/2012 Carlini B62K 19/30
 74/551.8

Related U.S. Application Data

(62) Division of application No. 29/567,475, filed on Jun. 9, 2016, now Pat. No. Des. 807,259.
 (51) **LOC (12) Cl.** **12-16**
 (52) **U.S. Cl.**
 USPC **D12/178**
 (58) **Field of Classification Search**
 USPC D12/111, 114, 178; D8/303
 CPC B62K 19/16; B62K 21/12; B62K 21/18;
 B62K 21/125; B62K 23/06
 See application file for complete search history.

* cited by examiner

Primary Examiner — Darlington Ly
 (74) *Attorney, Agent, or Firm* — Vincent J. Allen;
 Carstens & Cahoon, LLP

(57) **CLAIM**

The ornamental design for a handlebar, as shown and described.

DESCRIPTION

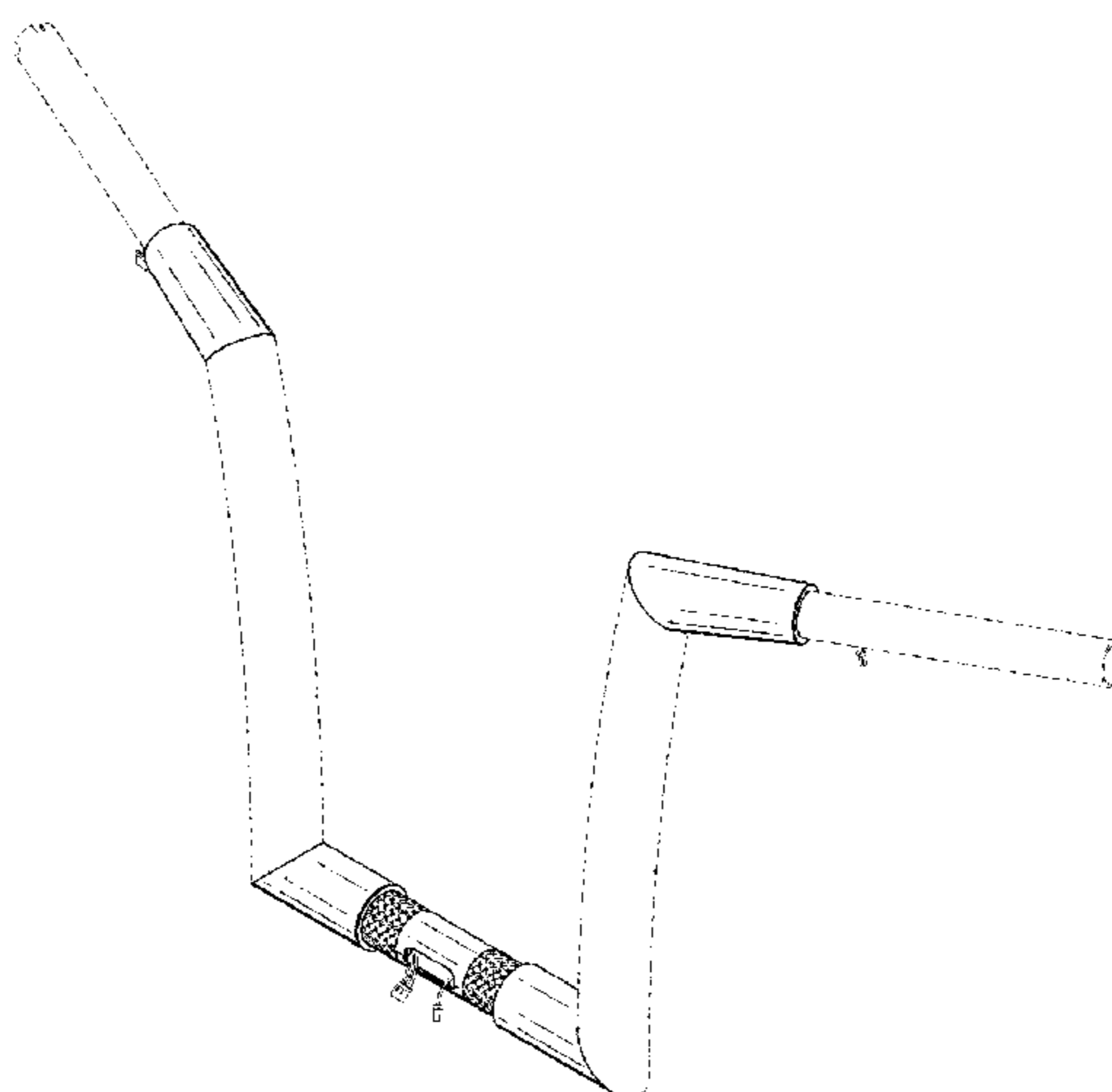
FIG. 1 is a perspective view of a handlebar.
 FIG. 2 is a front elevation view of the handlebar illustrated in FIG. 1.
 FIG. 3 is a rear elevation view of the handlebar illustrated in FIG. 1.
 FIG. 4 is an elevation view of the left side of the handlebar illustrated in FIG. 1.
 FIG. 5 is an elevation view of the right side of the handlebar illustrated in FIG. 1.
 FIG. 6 is a top plan view of the handlebar illustrated in FIG. 1; and,
 FIG. 7 is a bottom plan view of the handlebar illustrated in FIG. 1.
 The broken lines in the drawings illustrate portions of the handlebar that form no part of the claimed design.

(56) **References Cited**

U.S. PATENT DOCUMENTS

D223,072 S * 3/1972 Pawsat et al. D12/178
 D224,696 S * 8/1972 Pawsat et al. 74/551.1
 5,257,552 A * 11/1993 Boyer B62K 21/12
 74/551.1
 D342,475 S * 12/1993 Haro D12/178
 D425,463 S * 5/2000 Clarkson D12/178
 D431,803 S 10/2000 Renshaw
 D458,566 S * 6/2002 Carlini D12/178
 D477,798 S * 7/2003 Bean D12/178
 D496,893 S * 10/2004 Sieve D12/178
 D497,858 S * 11/2004 Fabian D12/178
 D542,197 S * 5/2007 Carlini D12/178
 7,350,437 B2 * 4/2008 Mangano B62K 21/12
 74/551.1
 D572,181 S * 7/2008 Lujan D12/178

1 Claim, 5 Drawing Sheets



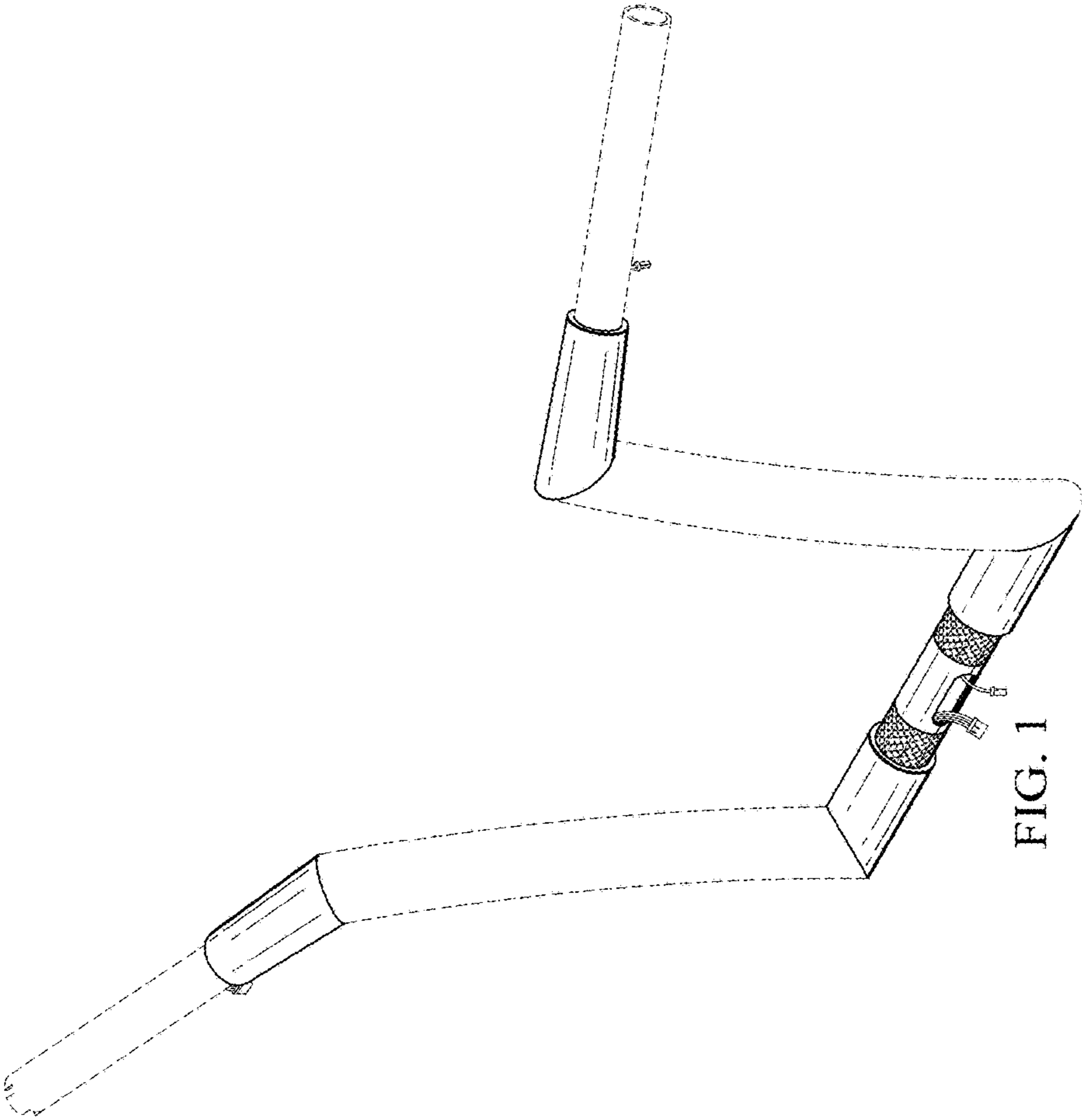


FIG. 1

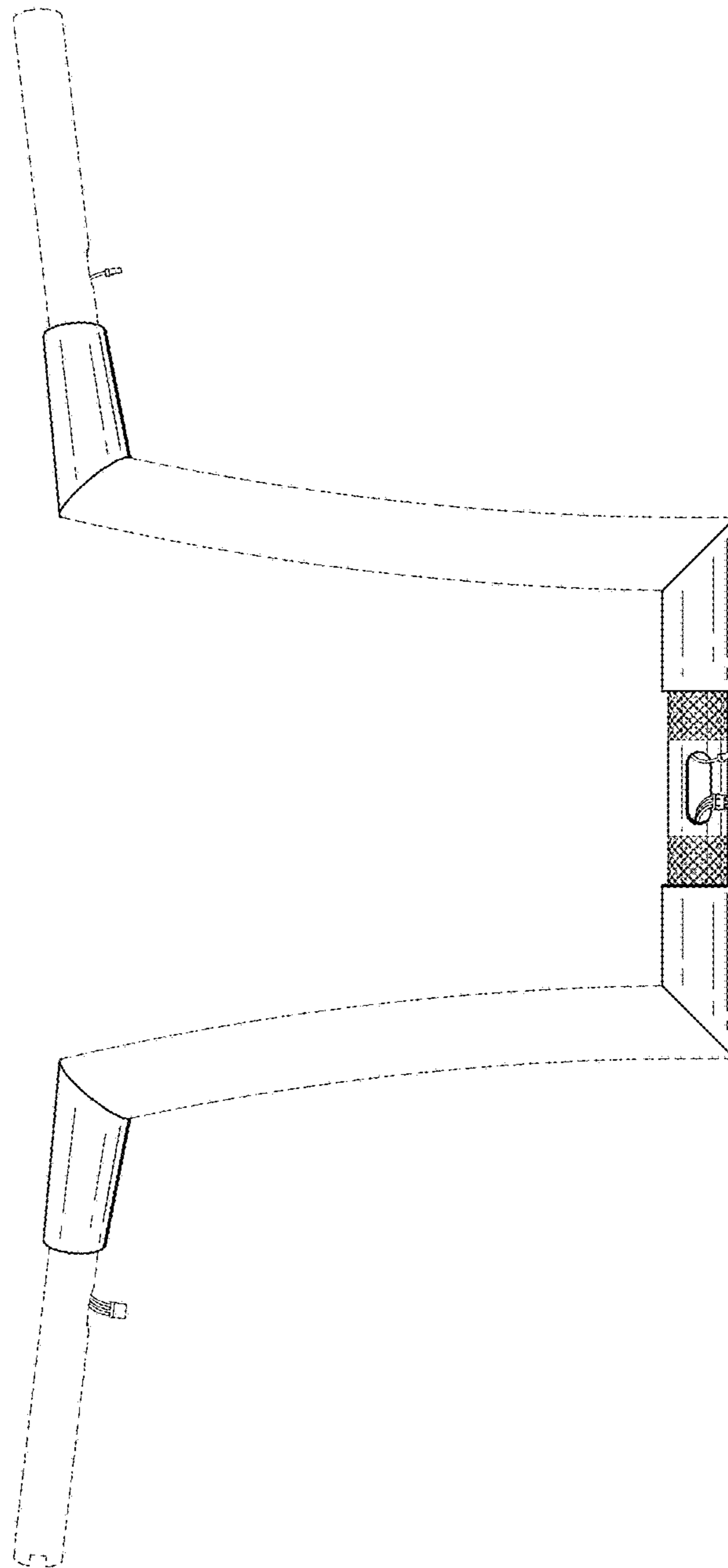


FIG. 2

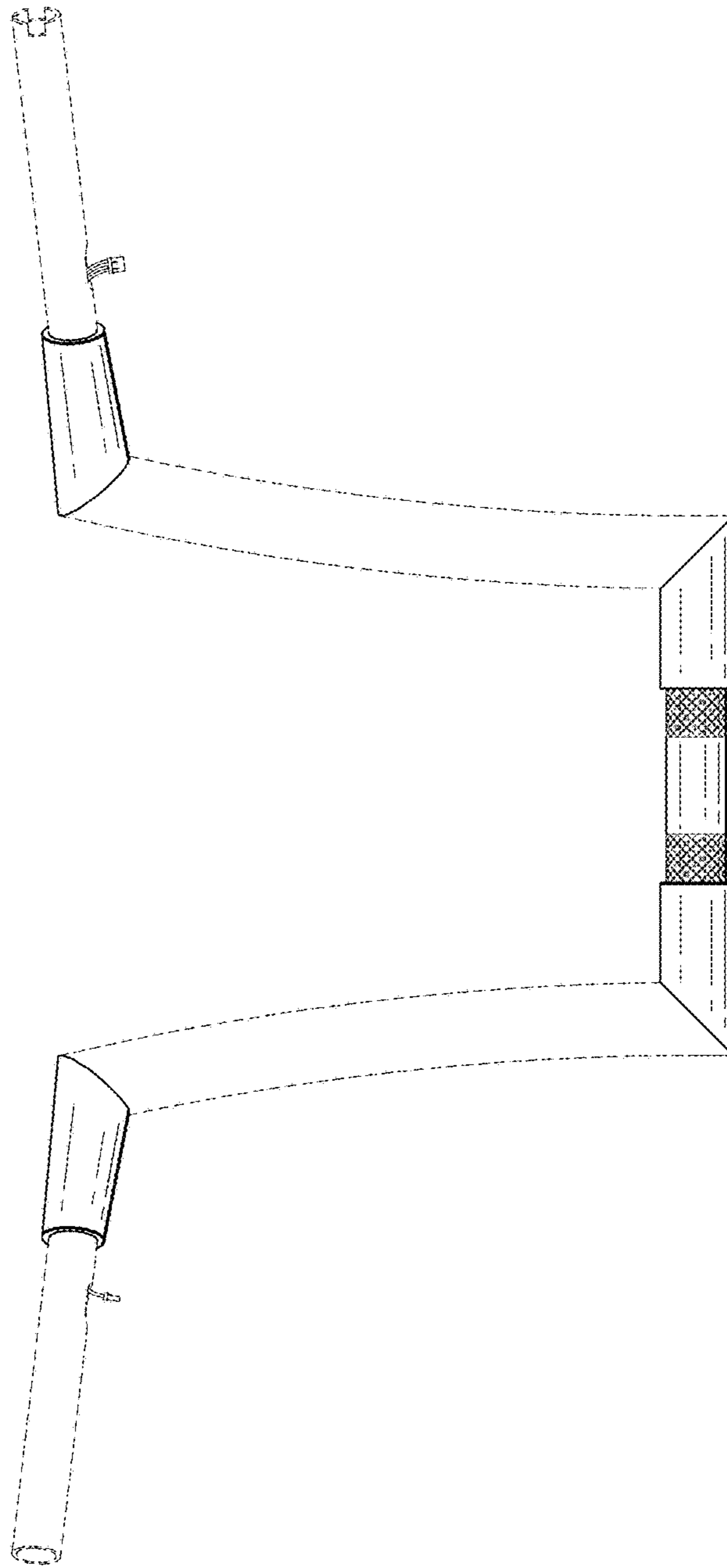


FIG. 3

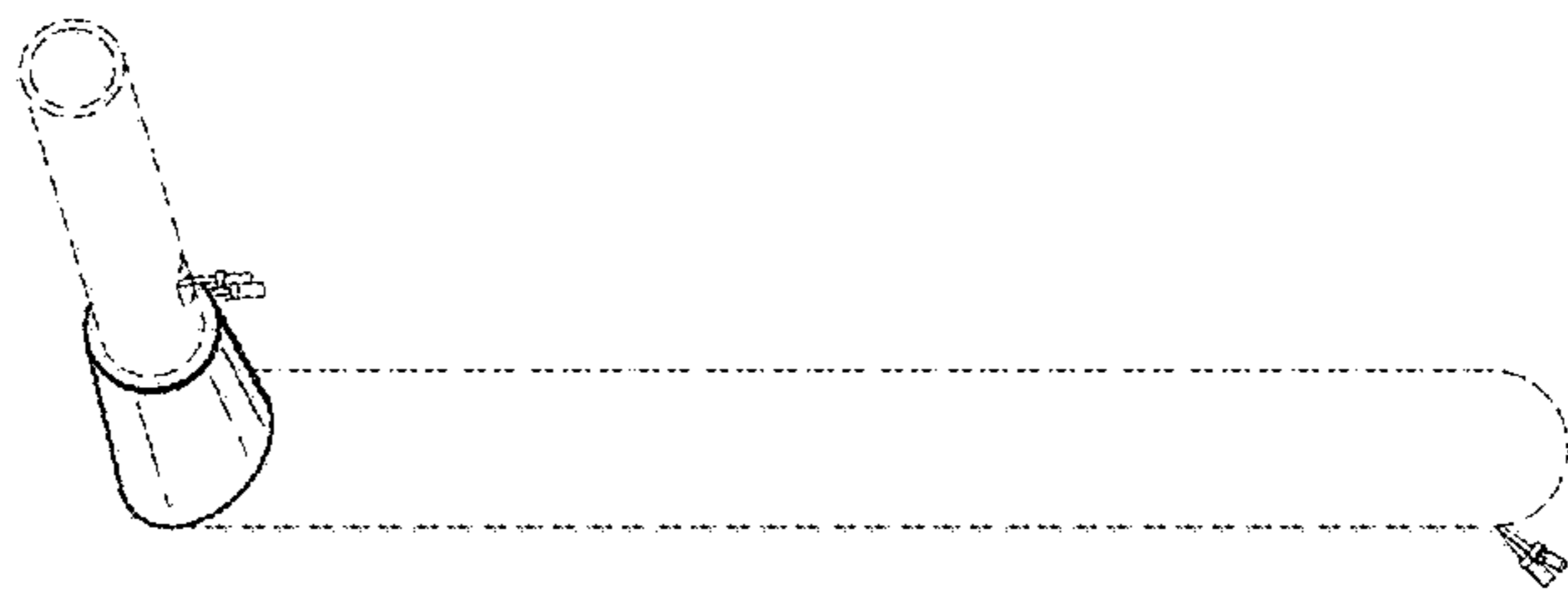


FIG. 5

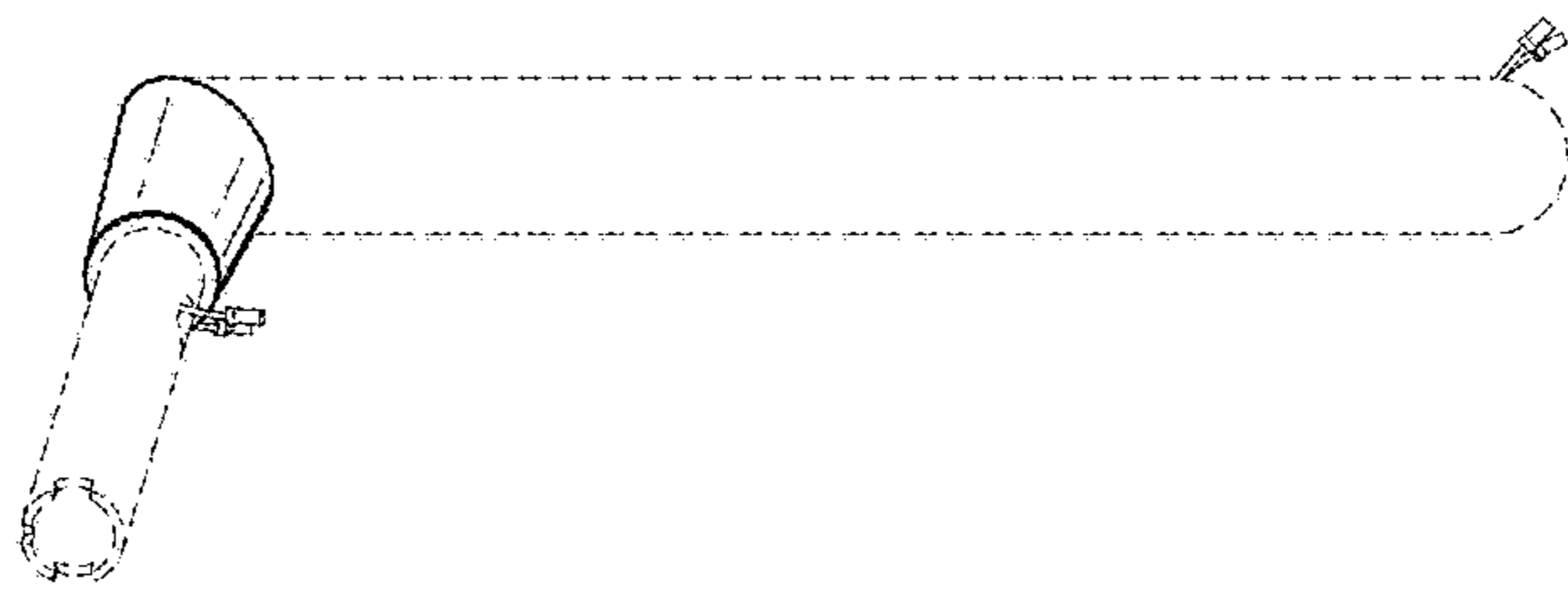


FIG. 4

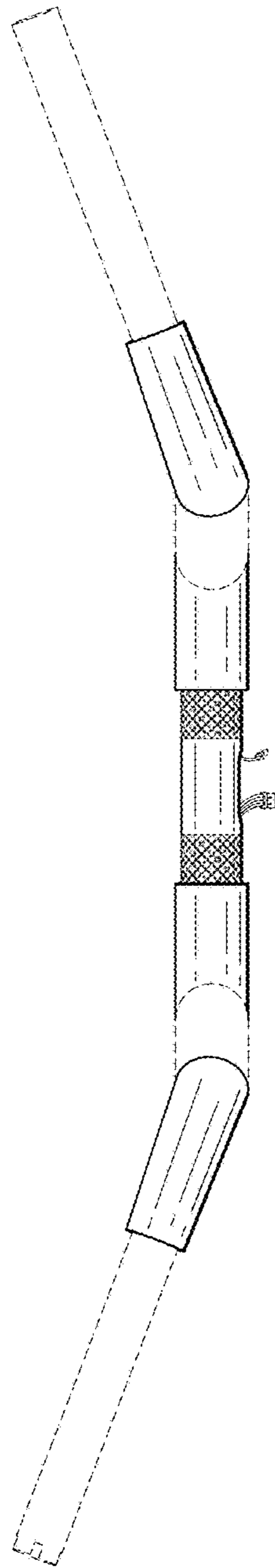


FIG. 6

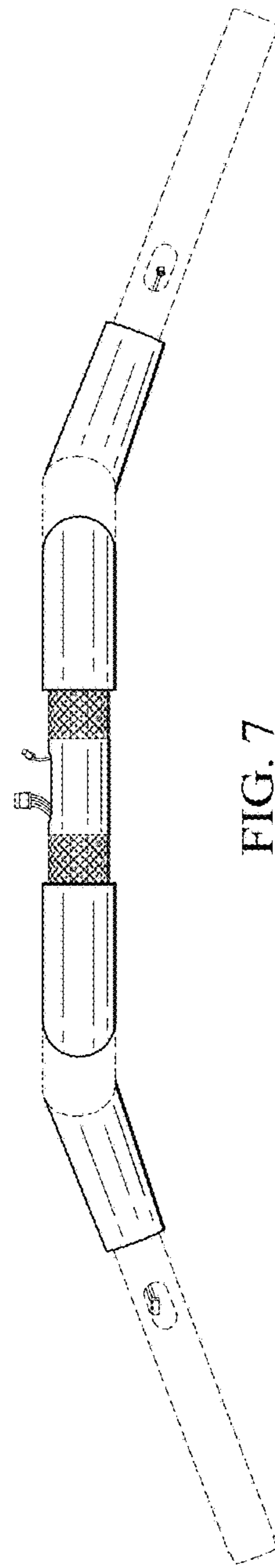


FIG. 7