



US00D856873S

(12) **United States Design Patent**
Kim et al.

(10) **Patent No.:** **US D856,873 S**

(45) **Date of Patent:** **** Aug. 20, 2019**

(54) **FRONT BUMPER COVER FOR AN
AUTOMOBILE**

CPC B60J 5/00; B60J 5/02; B60J 5/04; B60J
5/10; B62D 25/02; B62D 25/04

See application file for complete search history.

(71) Applicants: **HYUNDAI MOTOR COMPANY,**
Seoul (KR); **KIA MOTORS
CORPORATION,** Seoul (KR)

(56) **References Cited**

U.S. PATENT DOCUMENTS

(72) Inventors: **Ki Tae Kim,** Hwaseong-si (KR); **Yong
Jun Heo,** Gwacheon-si (KR)

D595,192 S *	6/2009	Kurisu	D12/169
D595,193 S *	6/2009	Kurisu	D12/169
D595,194 S *	6/2009	Kurisu	D12/169
D809,440 S *	2/2018	Kang	D12/169
D811,291 S *	2/2018	Ishigaki	D12/169
D839,154 S *	1/2019	Kim	D12/169

(73) Assignees: **Hyundai Motor Company,** Seoul
(KR); **Kia Motors Corporation,** Seoul
(KR)

* cited by examiner

(**) Term: **15 Years**

Primary Examiner — George D. Kirschbaum

(21) Appl. No.: **35/505,213**

Assistant Examiner — Joseph J Kukella

(22) Filed: **Dec. 28, 2017**

(74) *Attorney, Agent, or Firm* — Mintz Levin Cohn Ferris
Glovsky and Popeo, P.C.; Kongsik Kim

(80) **Hague Agreement Data**

Int. Filing Date: **Dec. 28, 2017**

Int. Reg. No.: **DM/099850**

Int. Reg. Date: **Dec. 28, 2017**

Int. Reg. Pub. Date: **Jun. 29, 2018**

(57) **CLAIM**

The ornamental design for a front bumper cover for an
automobile, as shown and described.

(30) **Foreign Application Priority Data**

Jun. 30, 2017 (KR) 30-2017-0030207

DESCRIPTION

(51) **LOC (12) Cl.** **12-16**

(52) **U.S. Cl.**
USPC **D12/169**

1. Front bumper cover for an automobile

1.1 : Perspective

1.2 : Front

1.3 : Back

1.4 : Left

1.5 : Right

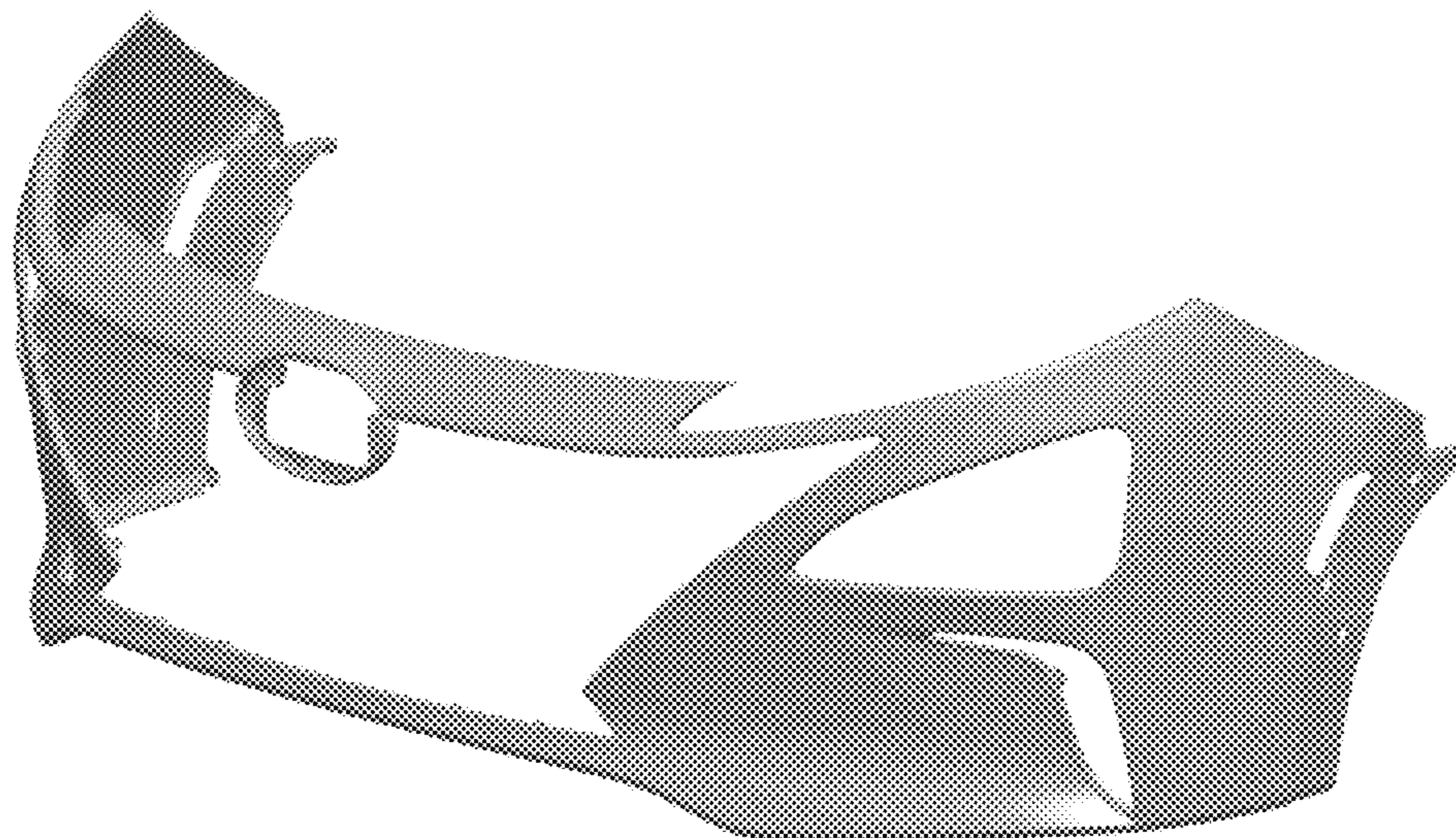
1.6 : Top

1.7 : Bottom

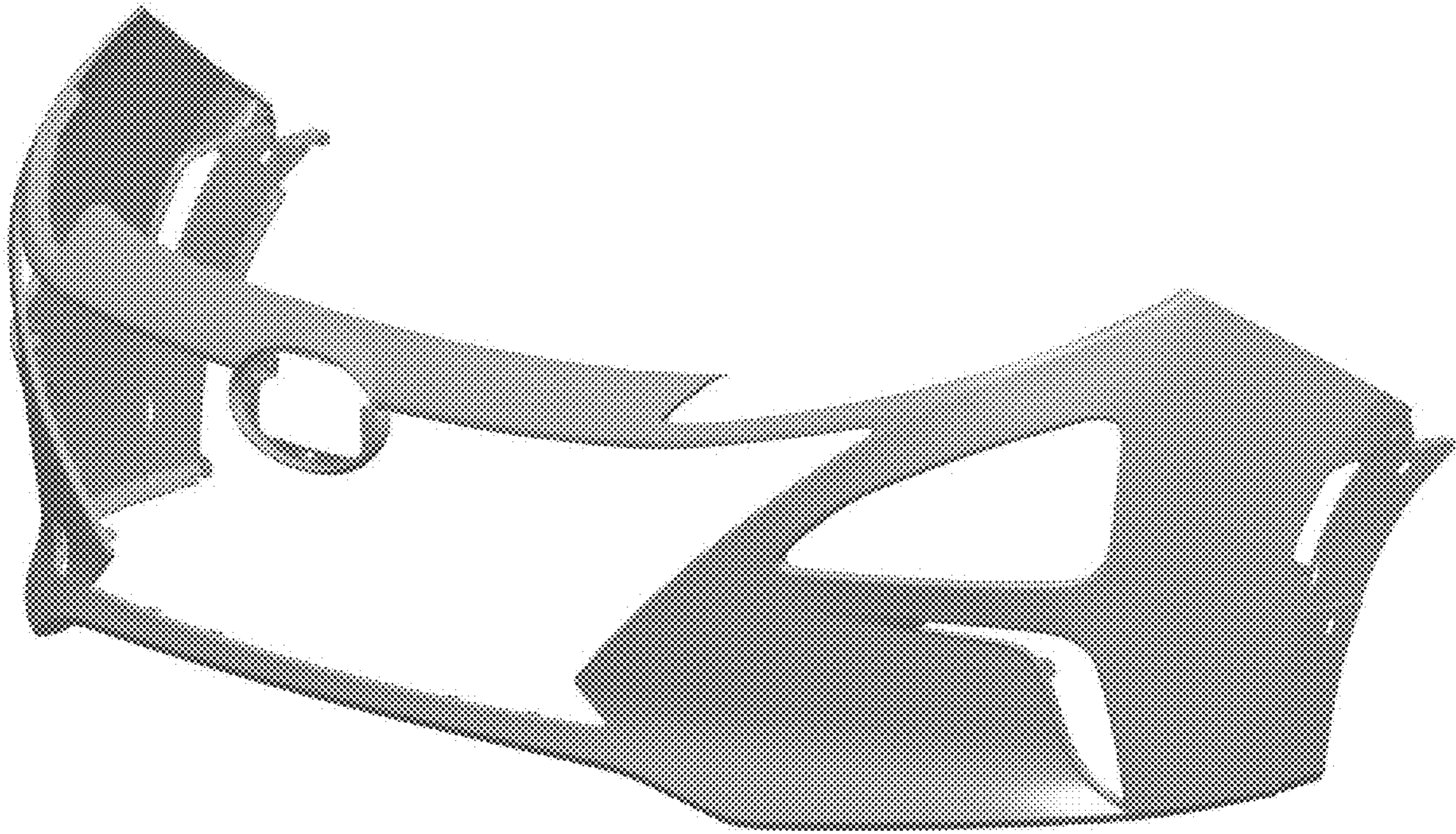
(58) **Field of Classification Search**

USPC D12/90-92, 169, 196

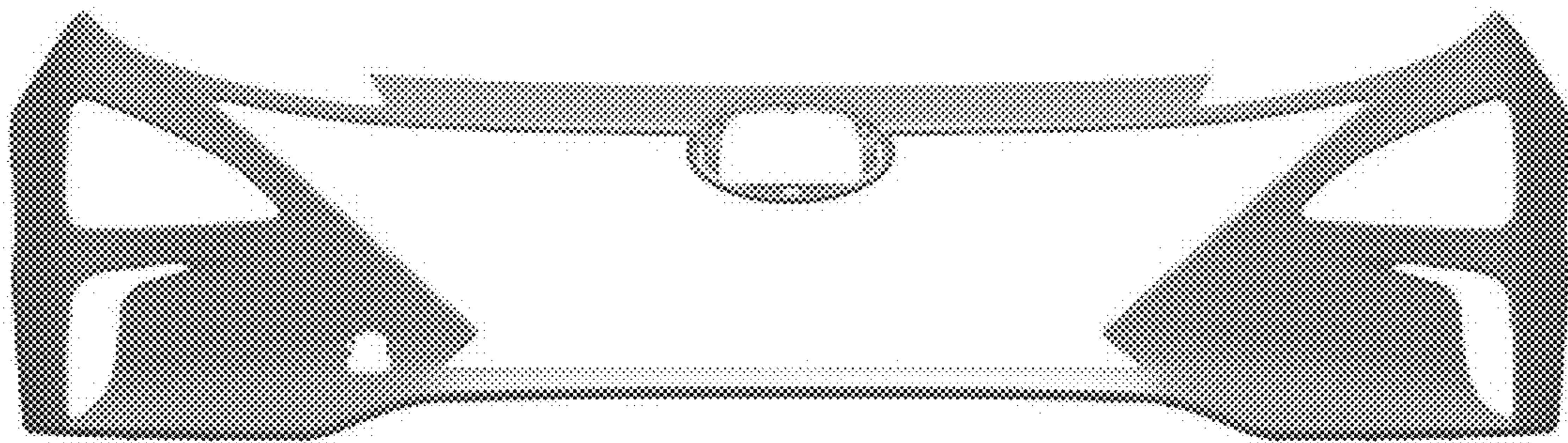
1 Claim, 7 Drawing Sheets



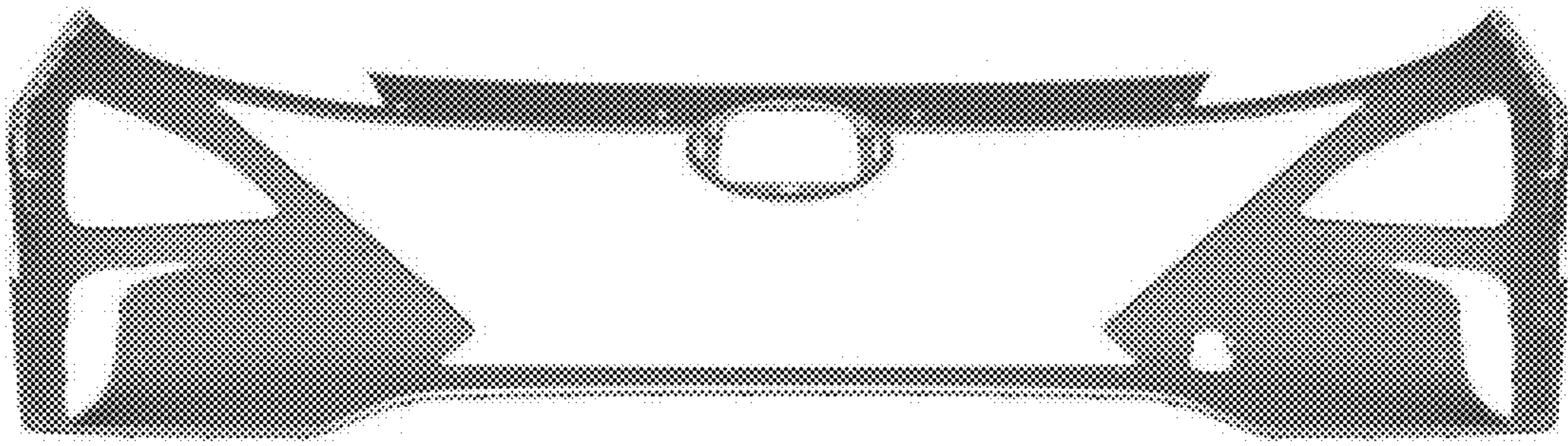
1.1



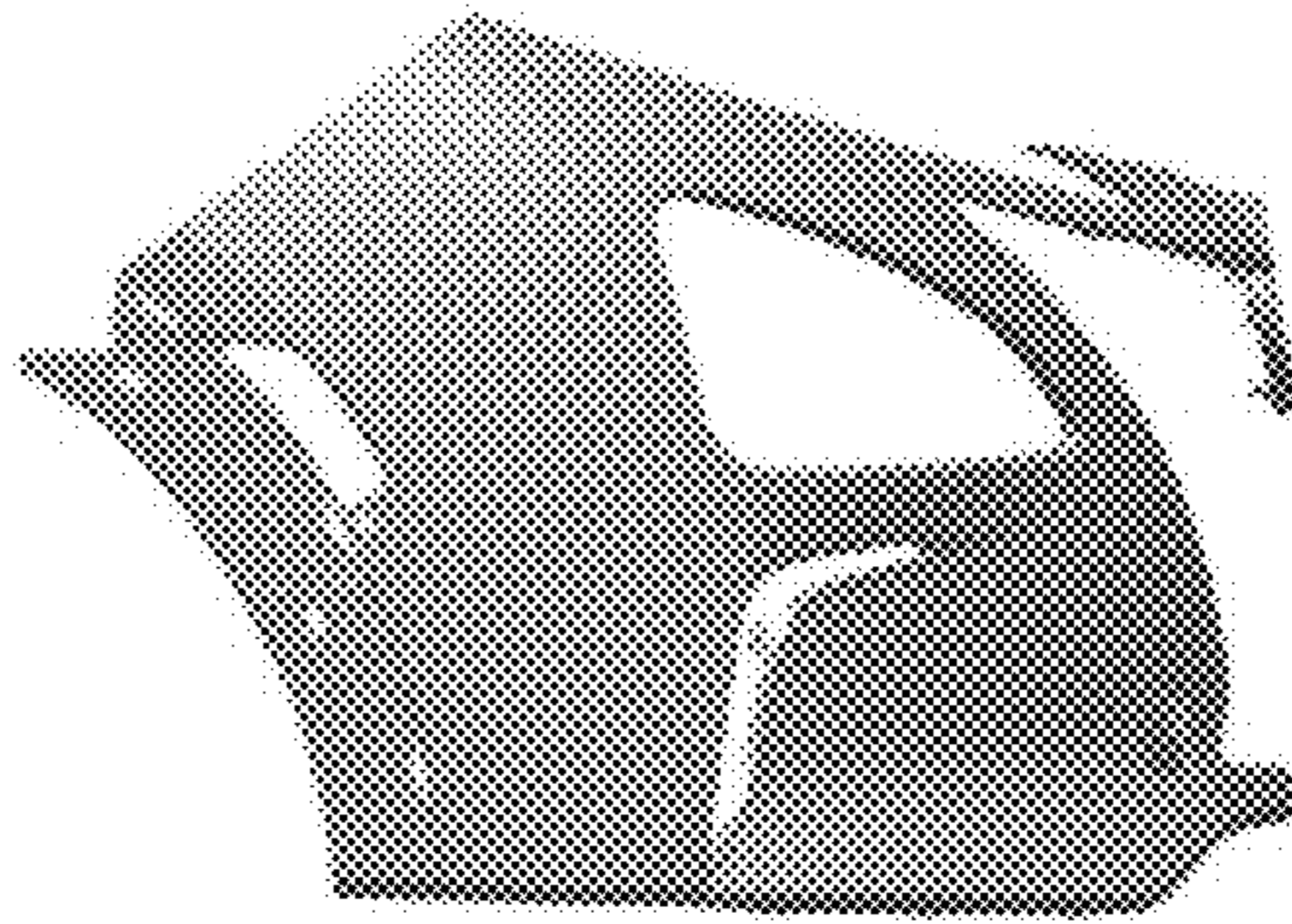
1.2



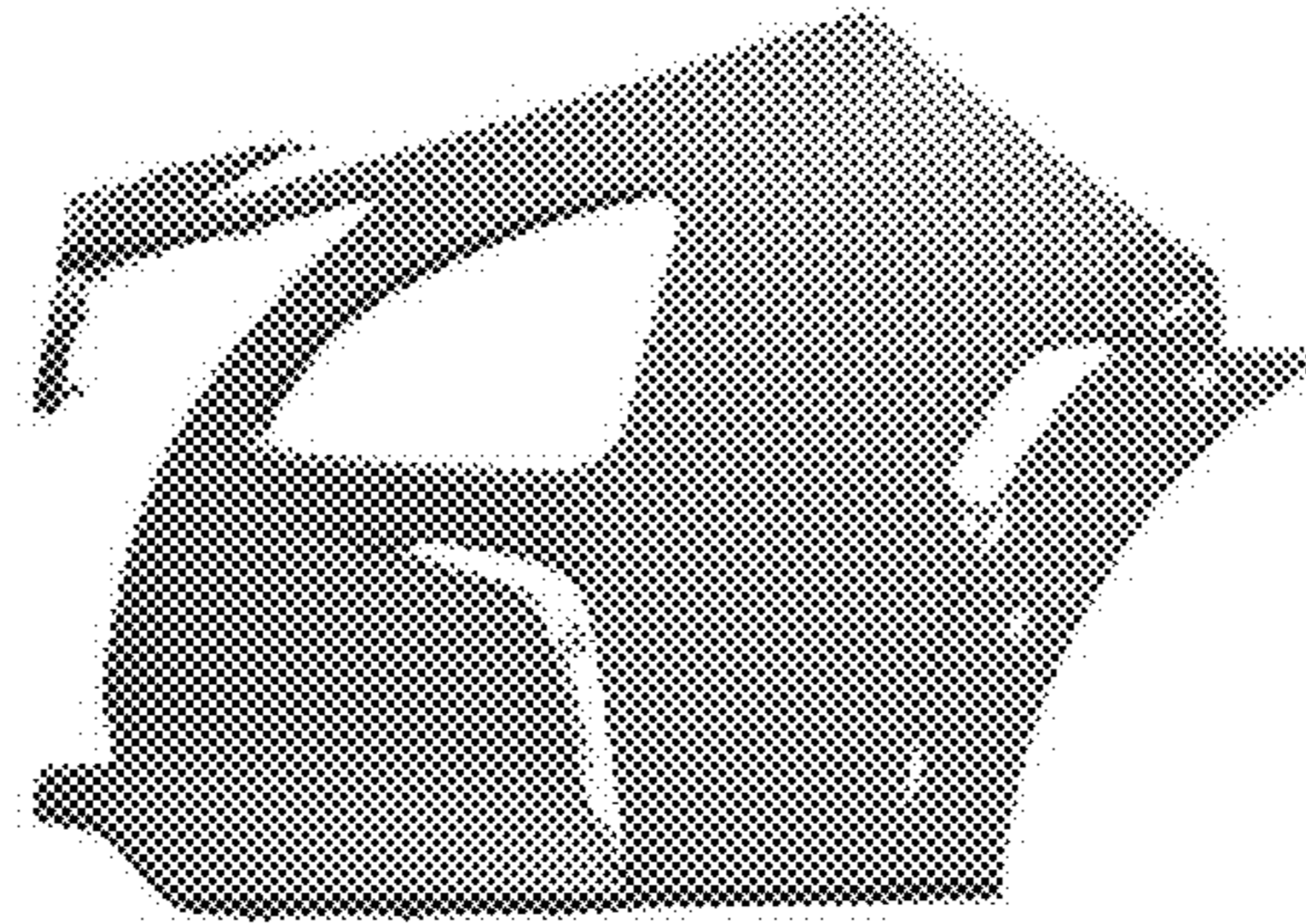
1.3

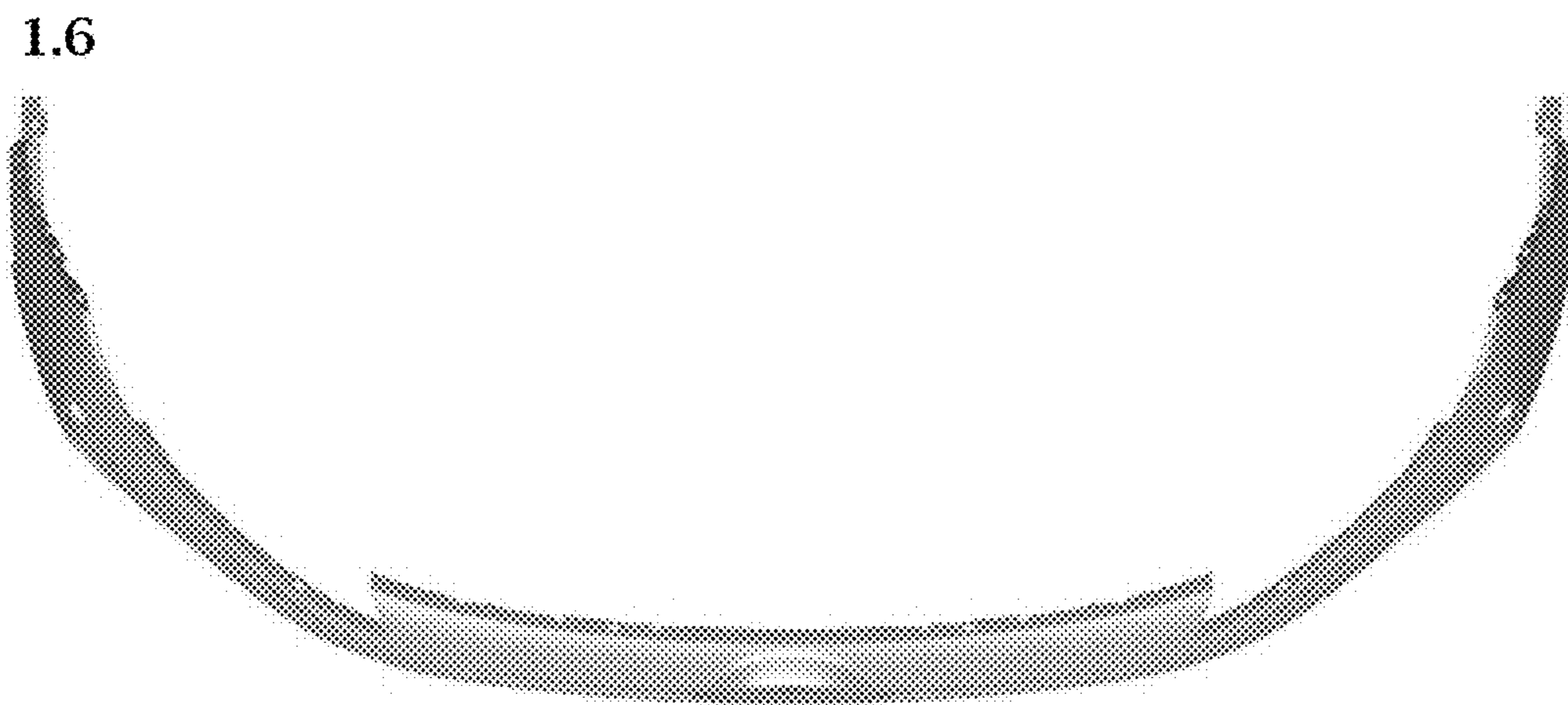


1.4



1.5





1.7

