

US00D856872S

(12) **United States Design Patent**
Smith

(10) **Patent No.:** **US D856,872 S**

(45) **Date of Patent:** **** Aug. 20, 2019**

(54) **REAR BUMPER FOR A VEHICLE**

D814,988 S * 4/2018 Szavits D12/169
D821,940 S * 7/2018 Platto D12/169
D842,773 S * 3/2019 Smith D12/169

(71) Applicant: **Jaguar Land Rover Limited**, Whitley,
Coventry (GB)

* cited by examiner

(72) Inventor: **Luke Smith**, Coventry (GB)

Primary Examiner — Melody N Brown

(73) Assignee: **Jaguar Land Rover Limited**, Whitley,
Coventry (GB)

(74) *Attorney, Agent, or Firm* — Wood Herron & Evans
LLP

(**) Term: **15 Years**

(57) **CLAIM**

(21) Appl. No.: **29/647,669**

The ornamental design for a rear bumper for a vehicle, as
shown and described.

(22) Filed: **May 15, 2018**

DESCRIPTION

(30) **Foreign Application Priority Data**

Nov. 16, 2017 (EM) 004509800

(51) **LOC (12) Cl.** **12-16**

(52) **U.S. Cl.**
USPC **D12/169**

(58) **Field of Classification Search**
USPC D12/169, 196, 163, 164, 171, 90-92, 98;
293/102, 113, 115, 117, 120; 296/180.1,
296/180.2

CPC B60R 19/02; B60R 19/04; B62D 25/08
See application file for complete search history.

FIG. 1 is a right, front perspective view of a rear bumper for
a vehicle showing my new design;
FIG. 2 is a left, front perspective view thereof;
FIG. 3 is a left, rear perspective view thereof;
FIG. 4 is a right, rear perspective view thereof;
FIG. 5 is a front elevational view thereof;
FIG. 6 is a rear elevational view thereof;
FIG. 7 is a right side elevational view thereof;
FIG. 8 is a left side elevational view thereof;
FIG. 9 is a top plan view thereof;
FIG. 10 is a bottom plan view thereof; and,
FIG. 11 is another front elevational view thereof shown on
a vehicle.

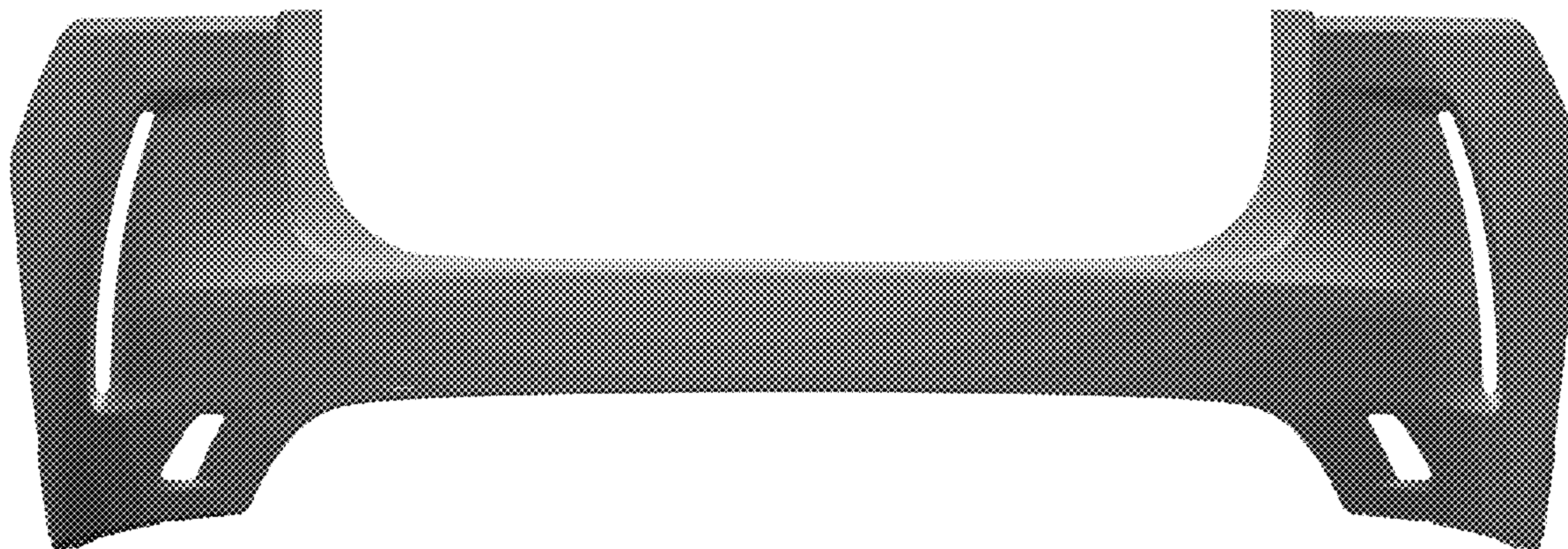
(56) **References Cited**

U.S. PATENT DOCUMENTS

D792,294 S * 7/2017 McCabe D12/169
D795,141 S * 8/2017 Ikeda D12/169
D807,801 S * 1/2018 Piscitelli D12/169
D811,961 S * 3/2018 Sullivan D12/169

The portions of the vehicle shown in the FIG. 11 drawing
view in a de-emphasized and half-tone form outside the
broken lines and the broken lines representing the boundary
and configuration of what is claimed as the design are all for
environmental and illustrative purposes only and form no
part of the claimed design.

1 Claim, 11 Drawing Sheets



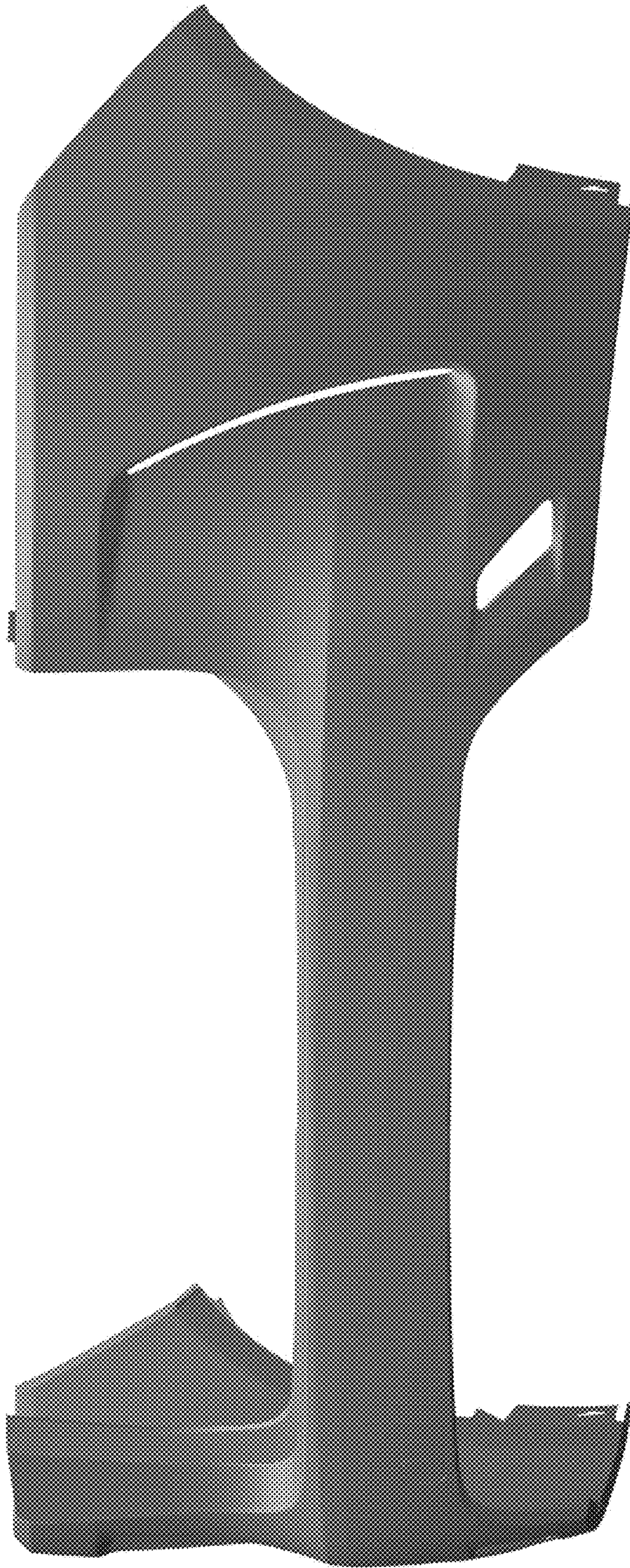


FIG. 1

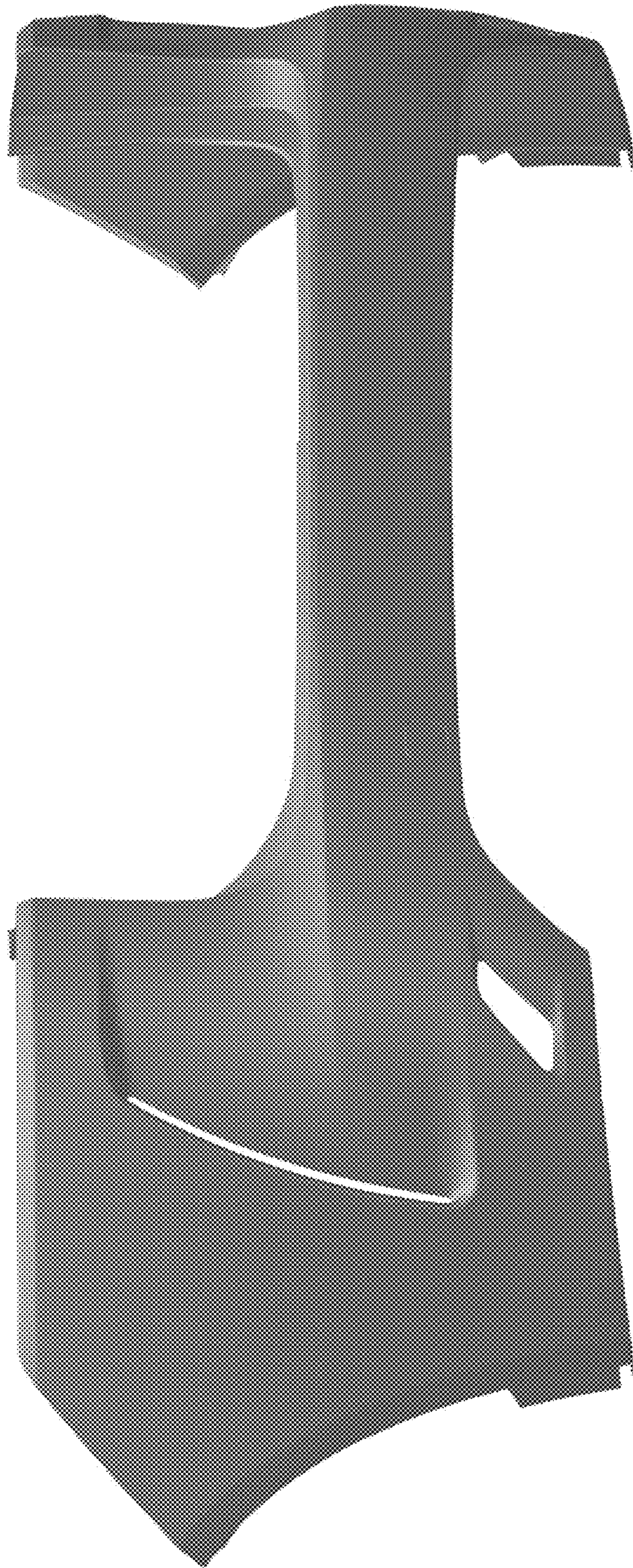


FIG. 2

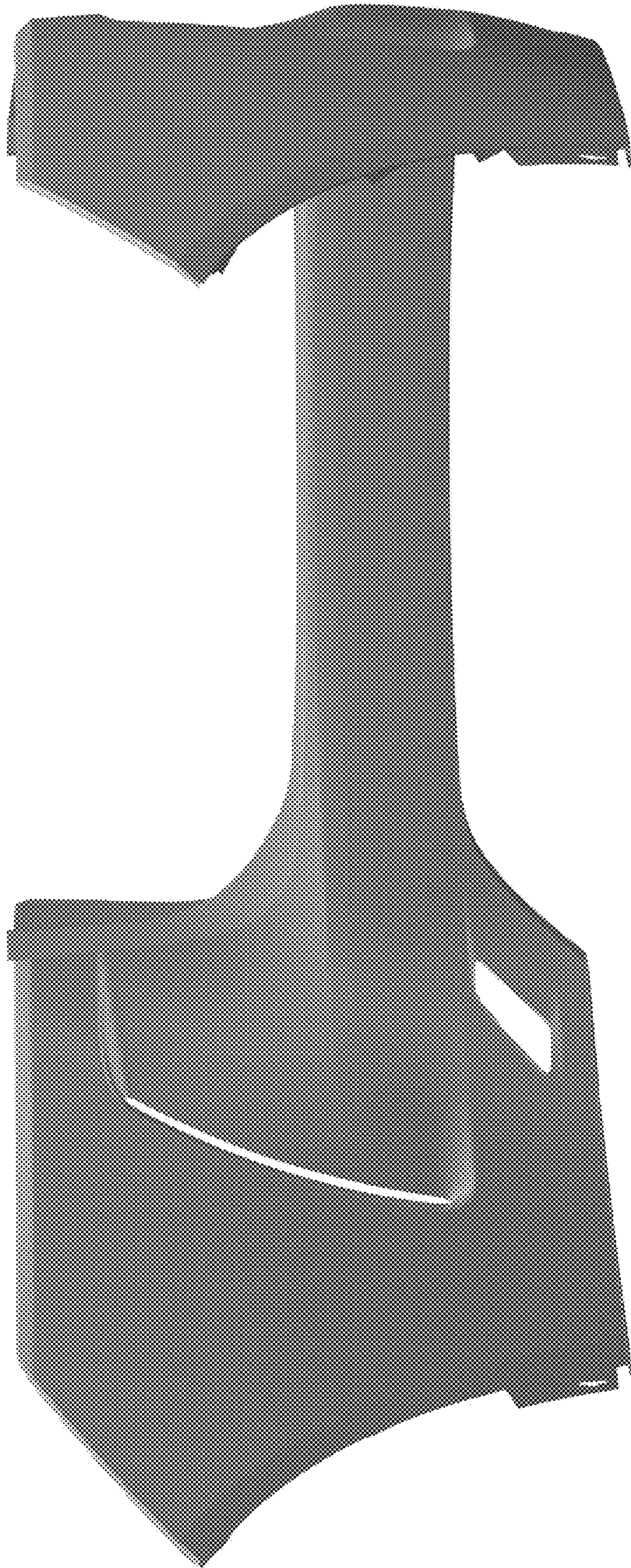


FIG. 3

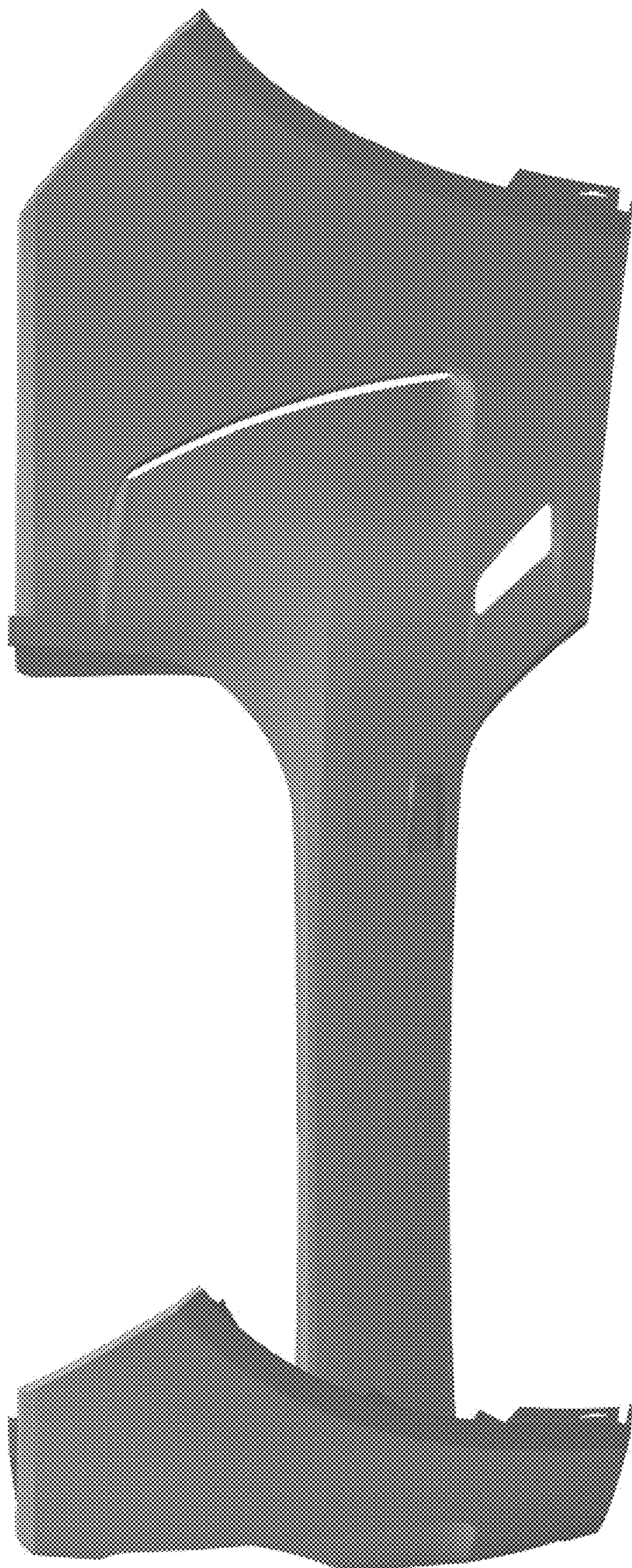


FIG. 4

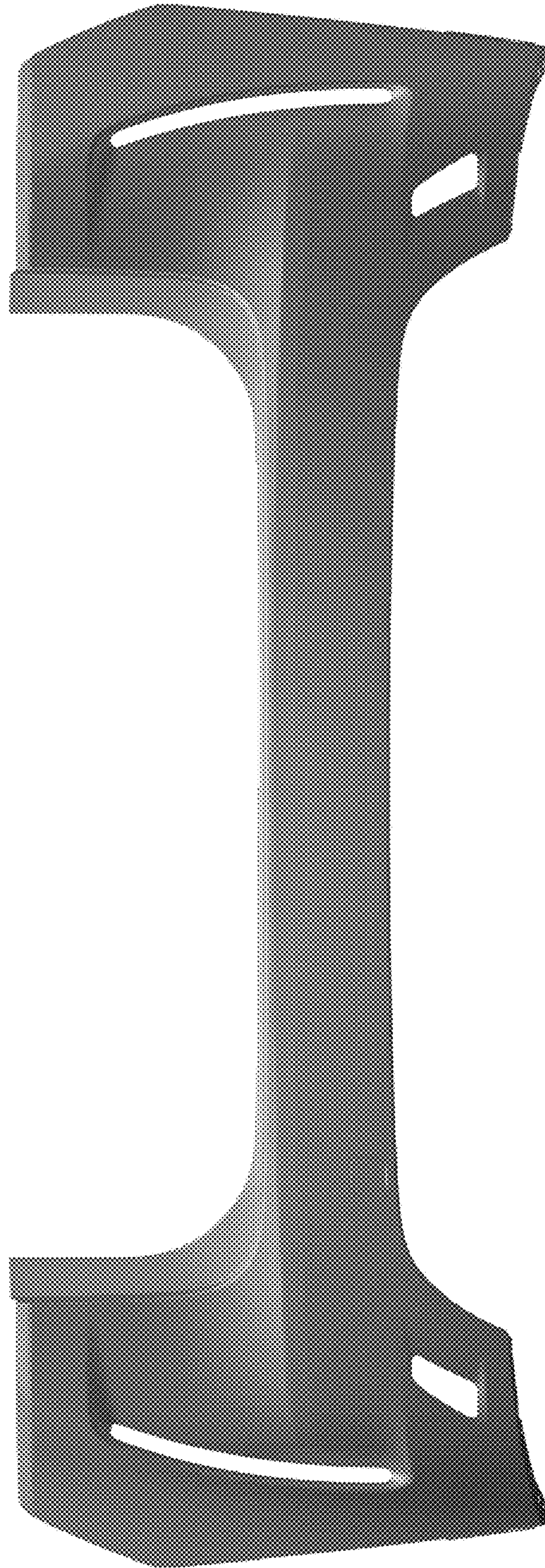


FIG. 5

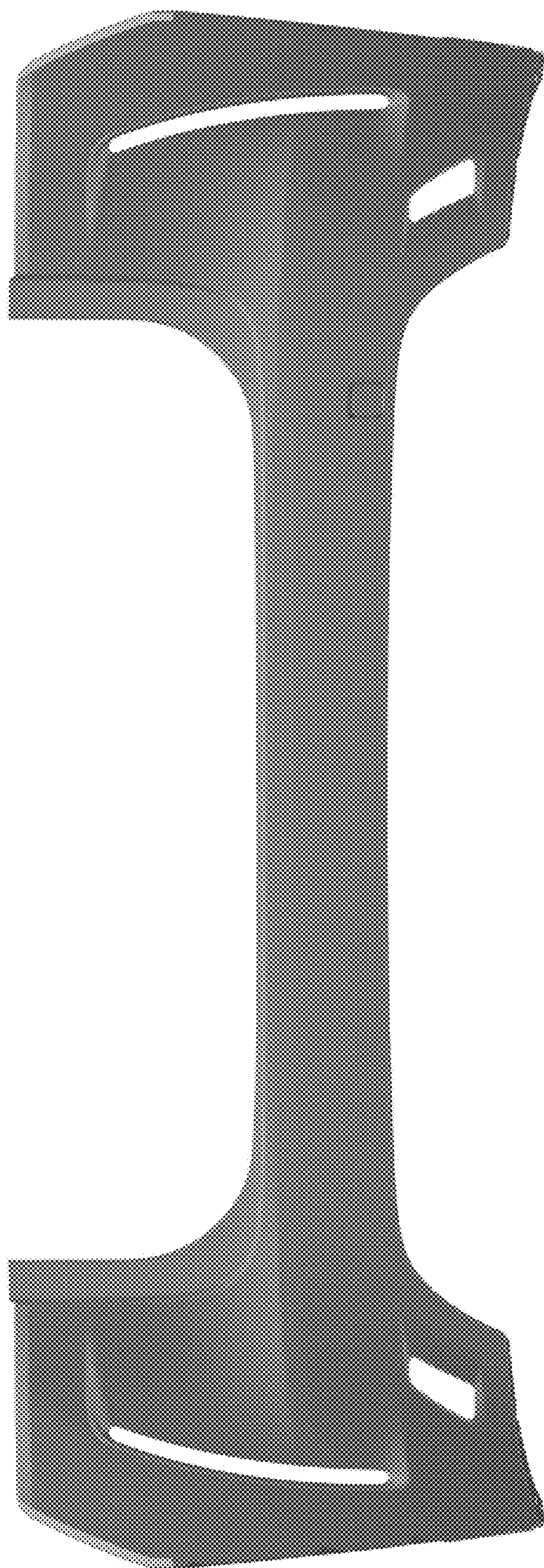


FIG. 6

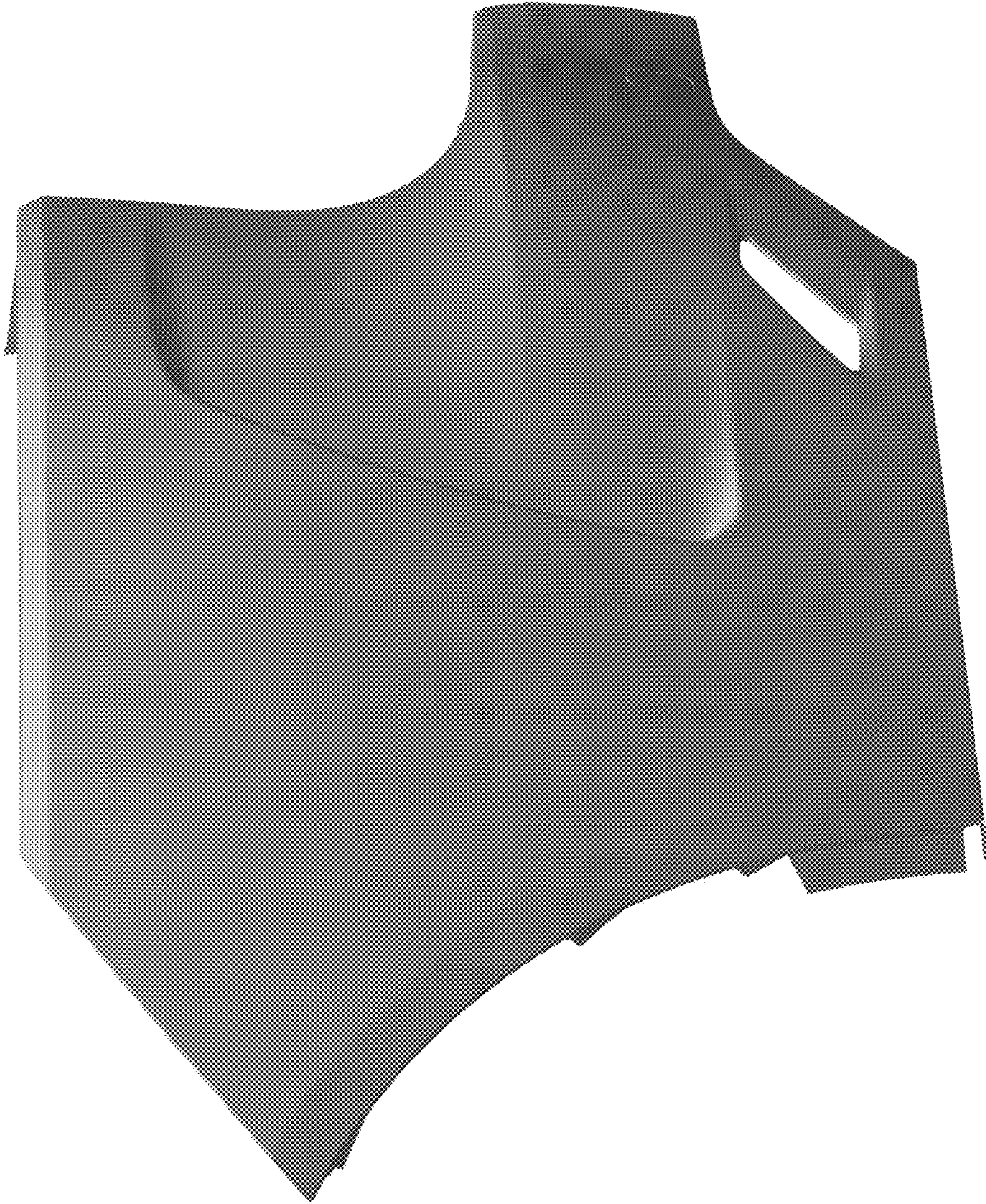


FIG. 7

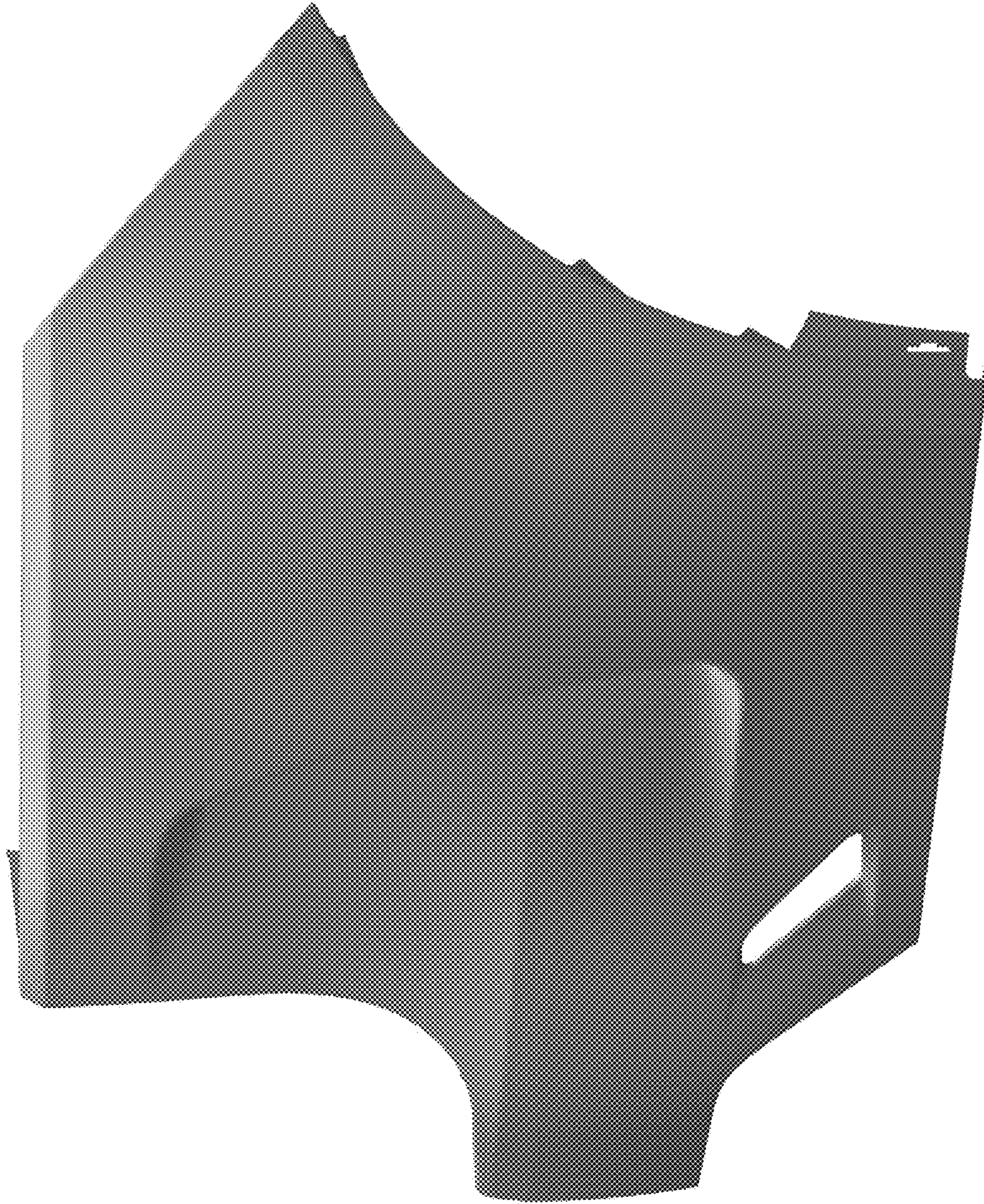


FIG. 8

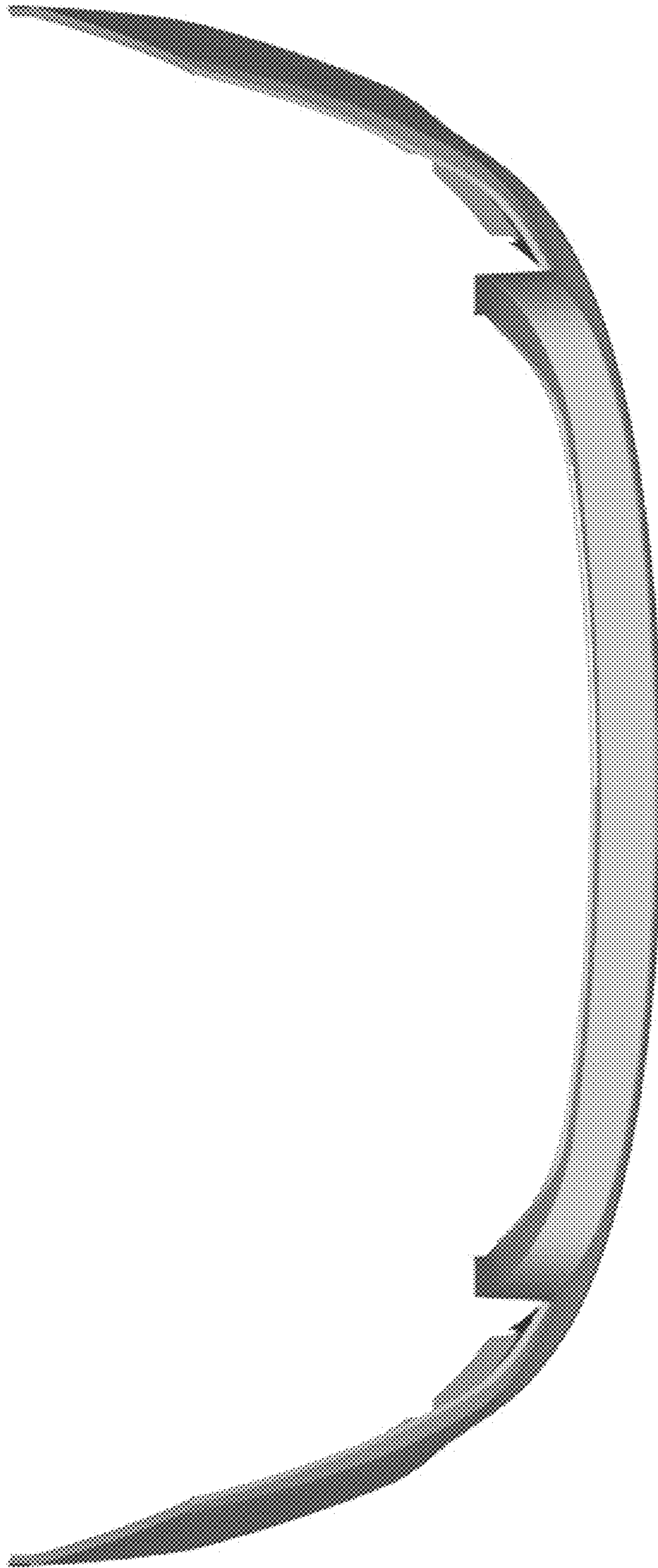


FIG. 9

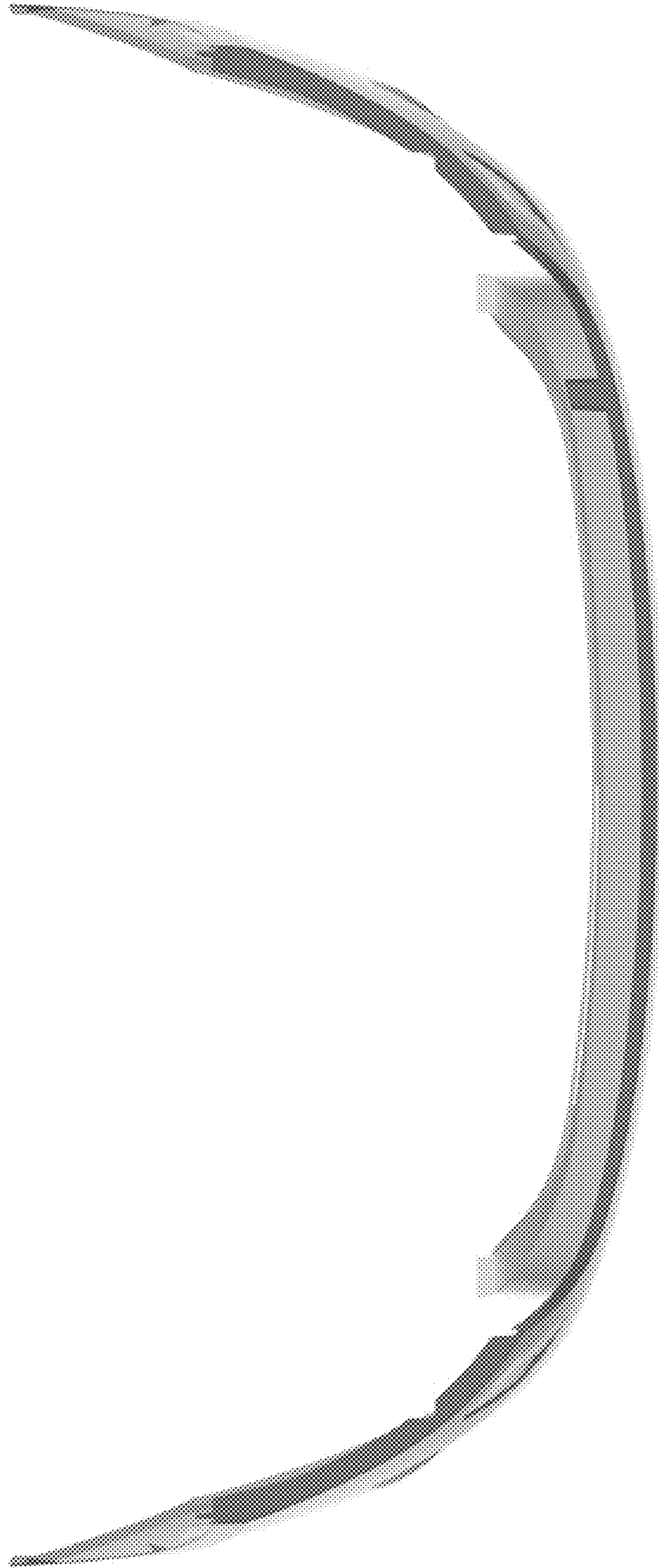


FIG. 10

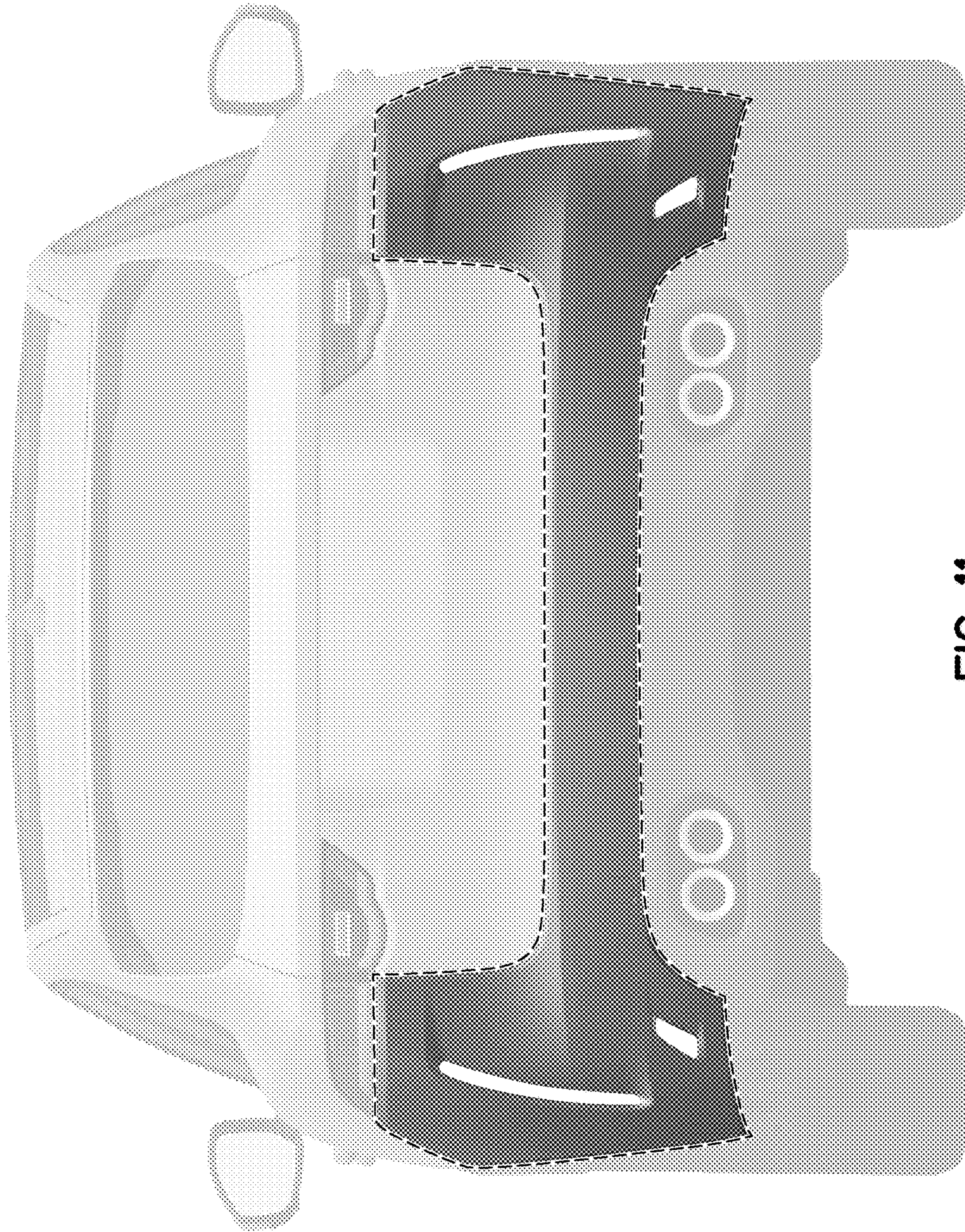


FIG. 11

UNITED STATES PATENT AND TRADEMARK OFFICE
CERTIFICATE OF CORRECTION

PATENT NO. : D856,872 S
APPLICATION NO. : 29/647669
DATED : August 20, 2019
INVENTOR(S) : Luke Smith

Page 1 of 1

It is certified that error appears in the above-identified patent and that said Letters Patent is hereby corrected as shown below:

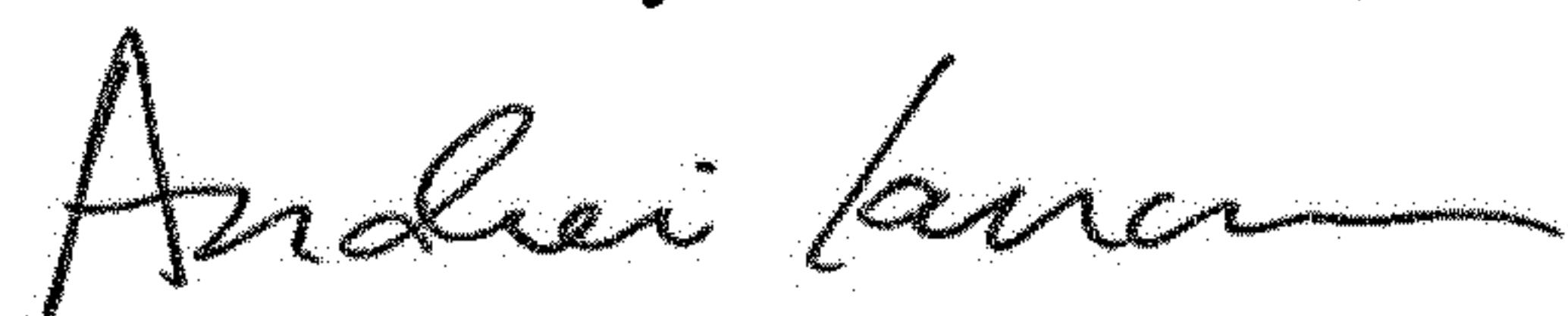
On the Title Page

Column 2, Under "Description"

Line 8, "right side" should be ---left side---.

Line 9, "left side" should be ---right side---.

Signed and Sealed this
Nineteenth Day of November, 2019



Andrei Iancu
Director of the United States Patent and Trademark Office