



US00D856871S

(12) **United States Design Patent**
Takeda

(10) **Patent No.:** **US D856,871 S**

(45) **Date of Patent:** **** Aug. 20, 2019**

(54) **REAR BUMPER FOR AN AUTOMOBILE**

D813,114 S * 3/2018 Zurian D12/169
D813,741 S * 3/2018 Perkins D12/169

(71) Applicant: **Subaru Corporation**, Tokyo (JP)

* cited by examiner

(72) Inventor: **Kohei Takeda**, Tokyo (JP)

Primary Examiner — Melody N Brown

(73) Assignee: **Subaru Corporation**, Tokyo (JP)

(74) *Attorney, Agent, or Firm* — Schiff Hardin LLP

(**) Term: **15 Years**

(57) **CLAIM**

I claim the ornamental design for a rear bumper for an automobile thereof, as shown and described.

(21) Appl. No.: **29/640,526**

DESCRIPTION

(22) Filed: **Mar. 15, 2018**

The patent or application file contains at least one drawing executed in color. Copies of this patent or patent application publication with color drawing(s) will be provided by the Office upon request and payment of the necessary fee.

(30) **Foreign Application Priority Data**

Sep. 15, 2017 (JP) 2017-020240

FIG. 1 is a front perspective view for a “rear bumper for an automobile” showing my new design,

(51) **LOC (12) Cl.** **12-16**

FIG. 2 is a rear perspective view thereof,

(52) **U.S. Cl.**

USPC **D12/169**

FIG. 3 is a front view thereof,

(58) **Field of Classification Search**

USPC D12/169, 196, 86, 90–92, 163, 164, 171;
293/102, 113, 115, 117, 120; 296/180.1,
296/180.2

FIG. 4 is a rear view thereof,

CPC B60R 19/02; B60R 19/04; B62D 25/08

FIG. 5 is a top view thereof,

See application file for complete search history.

FIG. 6 is a bottom view thereof,

FIG. 7 is a left-side view thereof,

FIG. 8 is a right-side view thereof,

FIG. 9 is a front perspective view of a front bumper for an automobile showing a second embodiment of our design; and,

(56) **References Cited**

U.S. PATENT DOCUMENTS

D776,021 S * 1/2017 Kapitonov D12/169
D788,657 S * 6/2017 Oohashi D12/169
D793,299 S * 8/2017 Krieg D12/169
D793,300 S * 8/2017 Krieg D12/169
D798,201 S * 9/2017 Zavatski D12/169
D800,035 S * 10/2017 Takamatsu D12/169

FIG. 10 is a rear perspective view of FIG. 9.

All other views of the second embodiment as shown in the FIGS. 1-8 drawing views of the first embodiment are the same in appearance but having a difference of transparent portions.

1 Claim, 10 Drawing Sheets
(2 of 10 Drawing Sheet(s) Filed in Color)

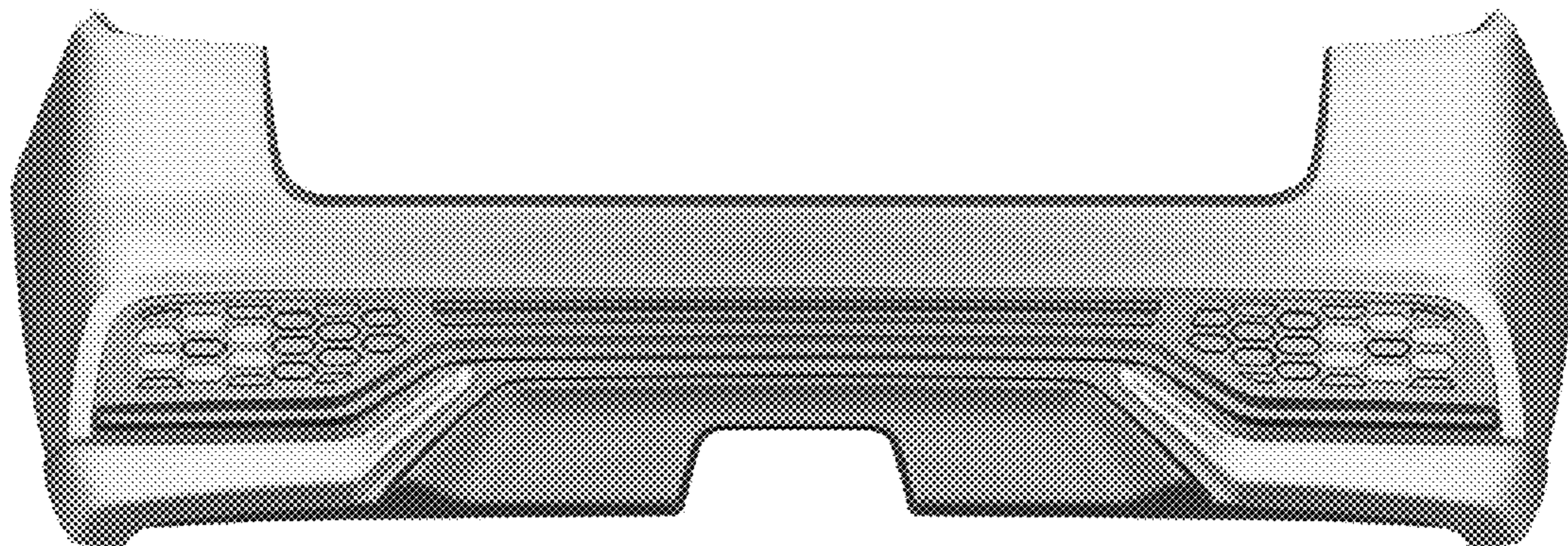


Fig. 1

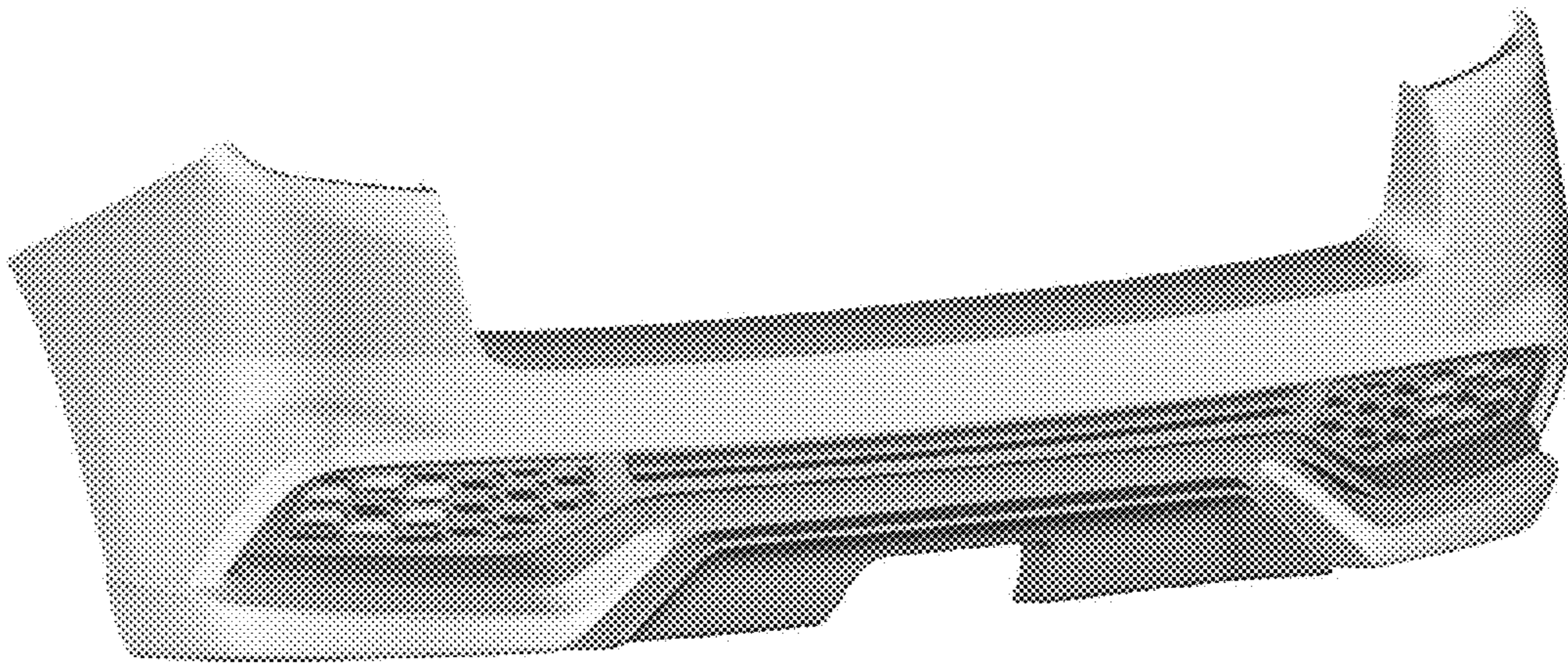


Fig. 2

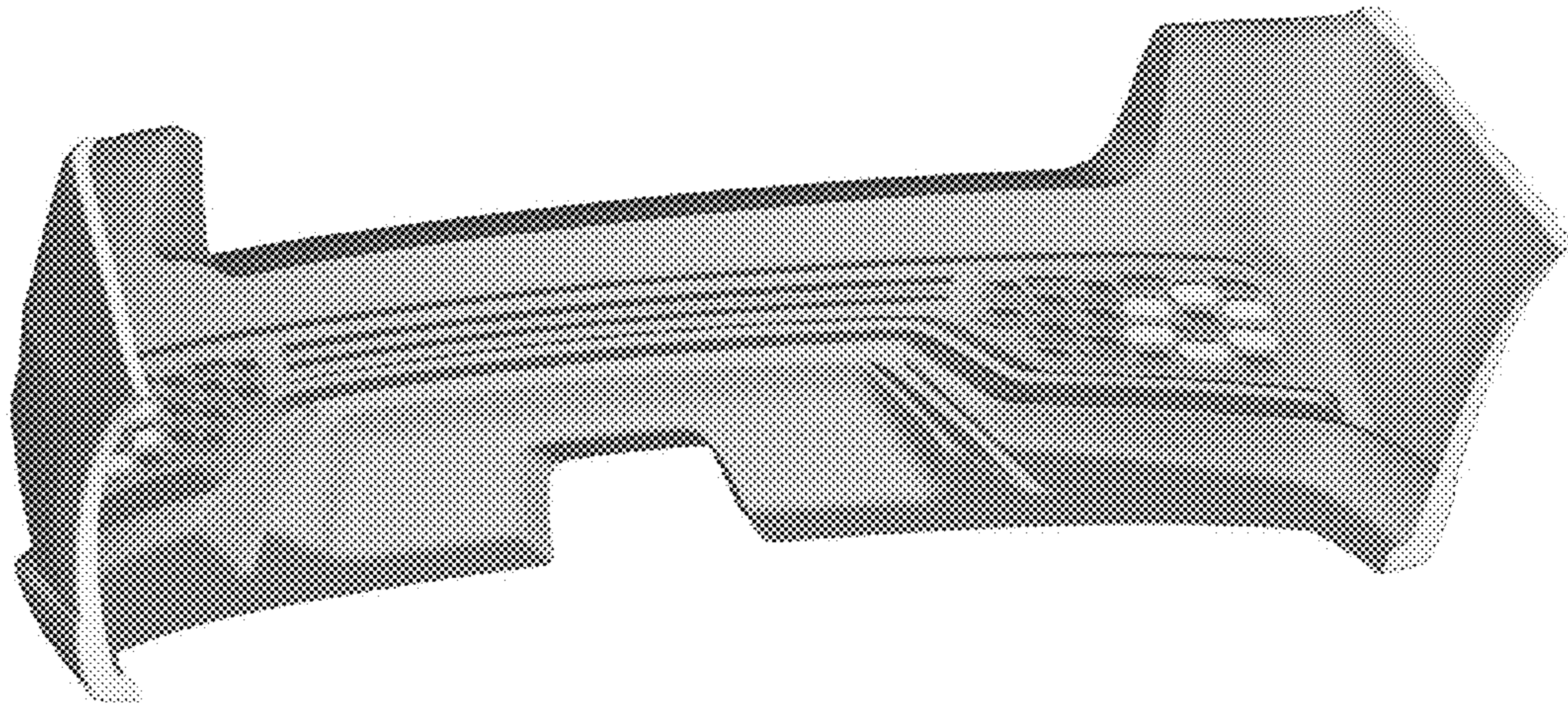


Fig. 3

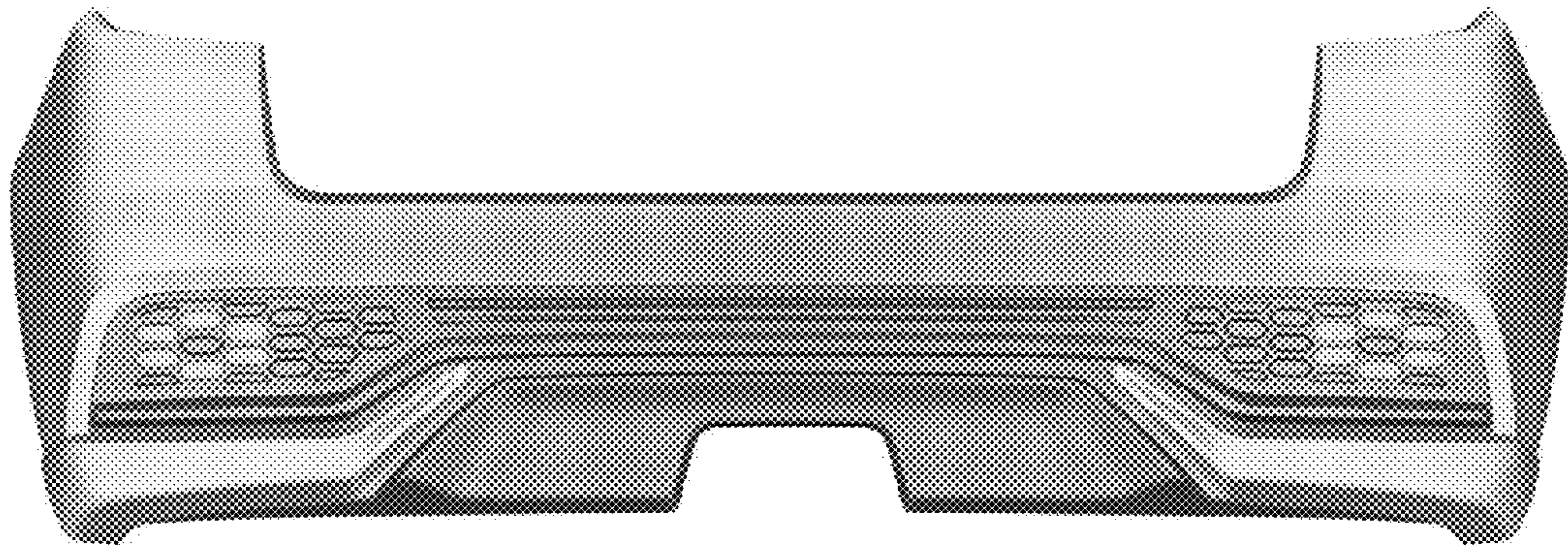


Fig. 4

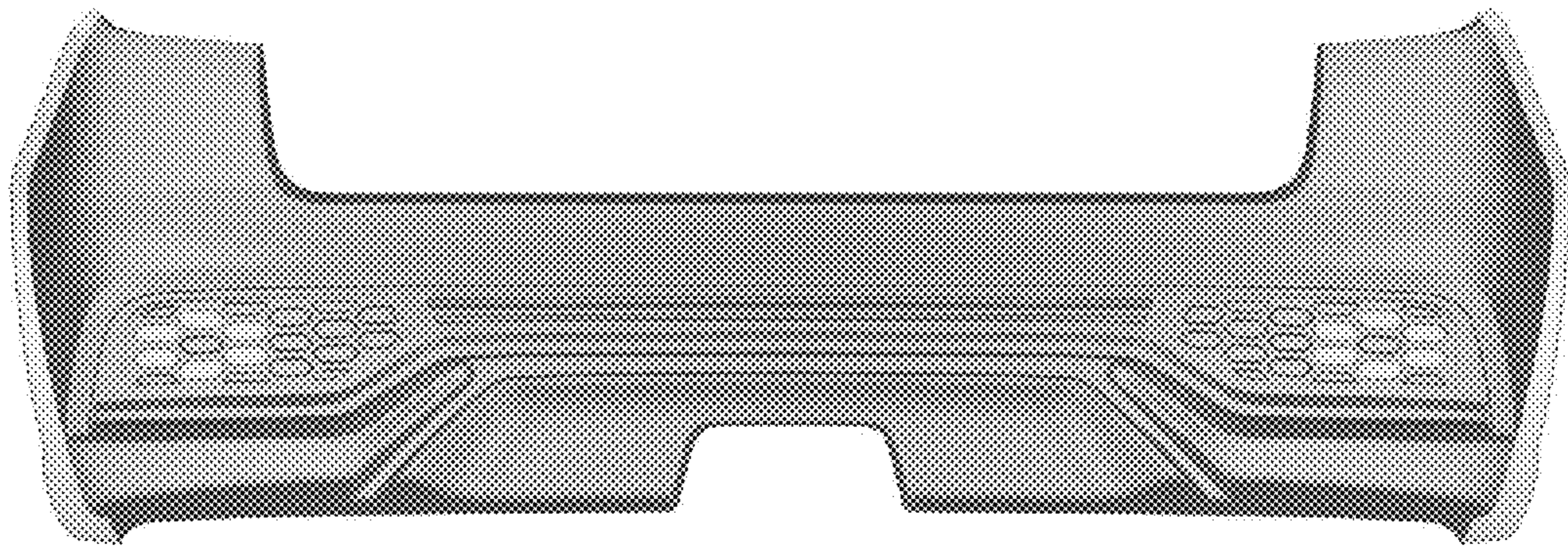


Fig. 5

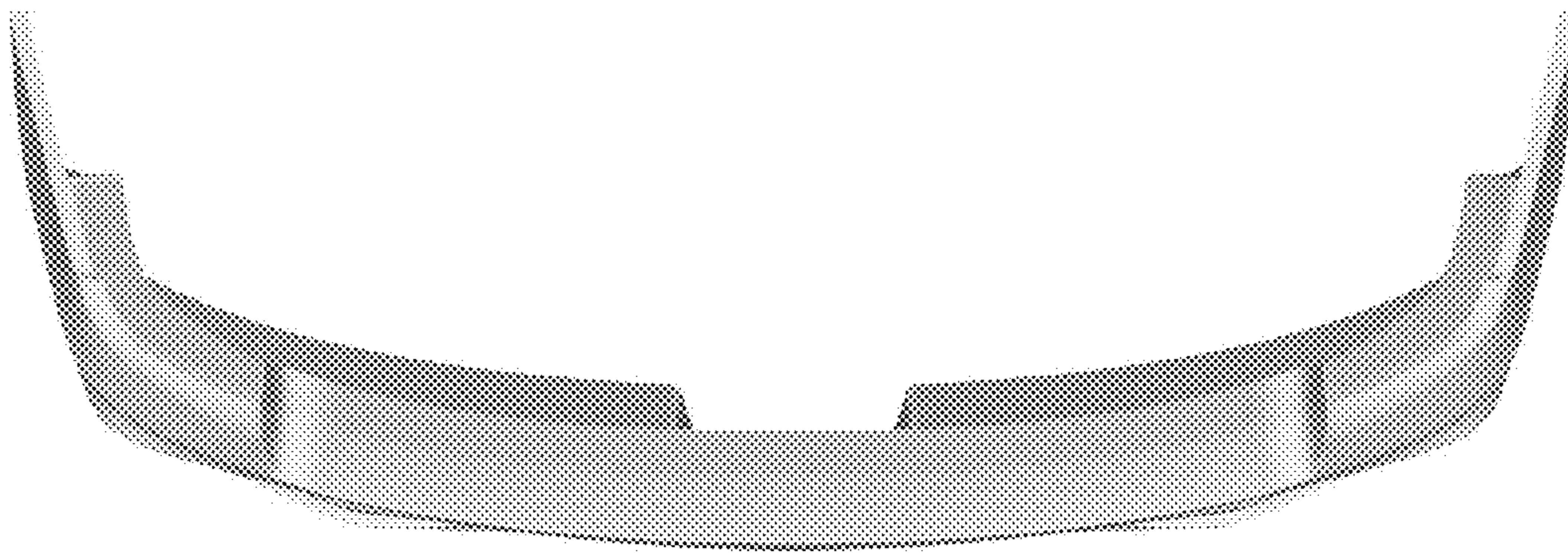


Fig. 6

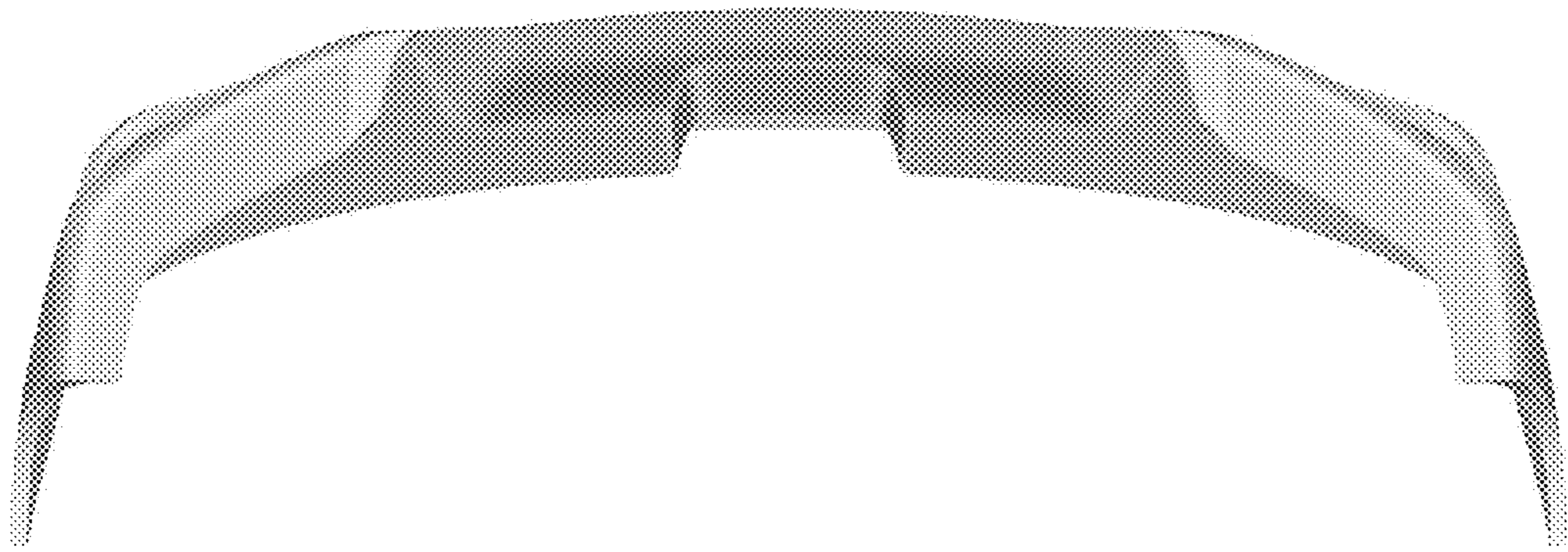


Fig. 7

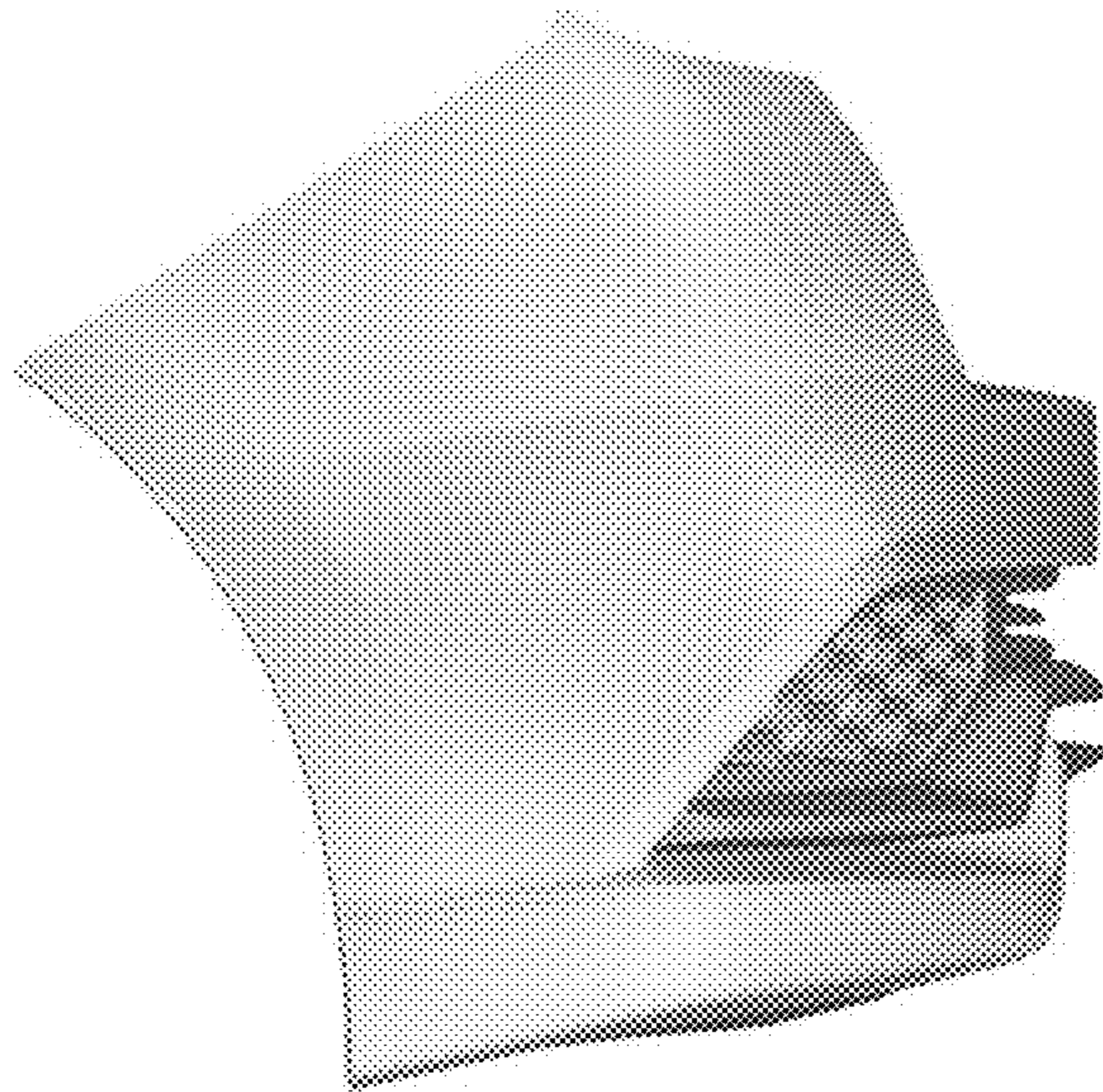


Fig. 8

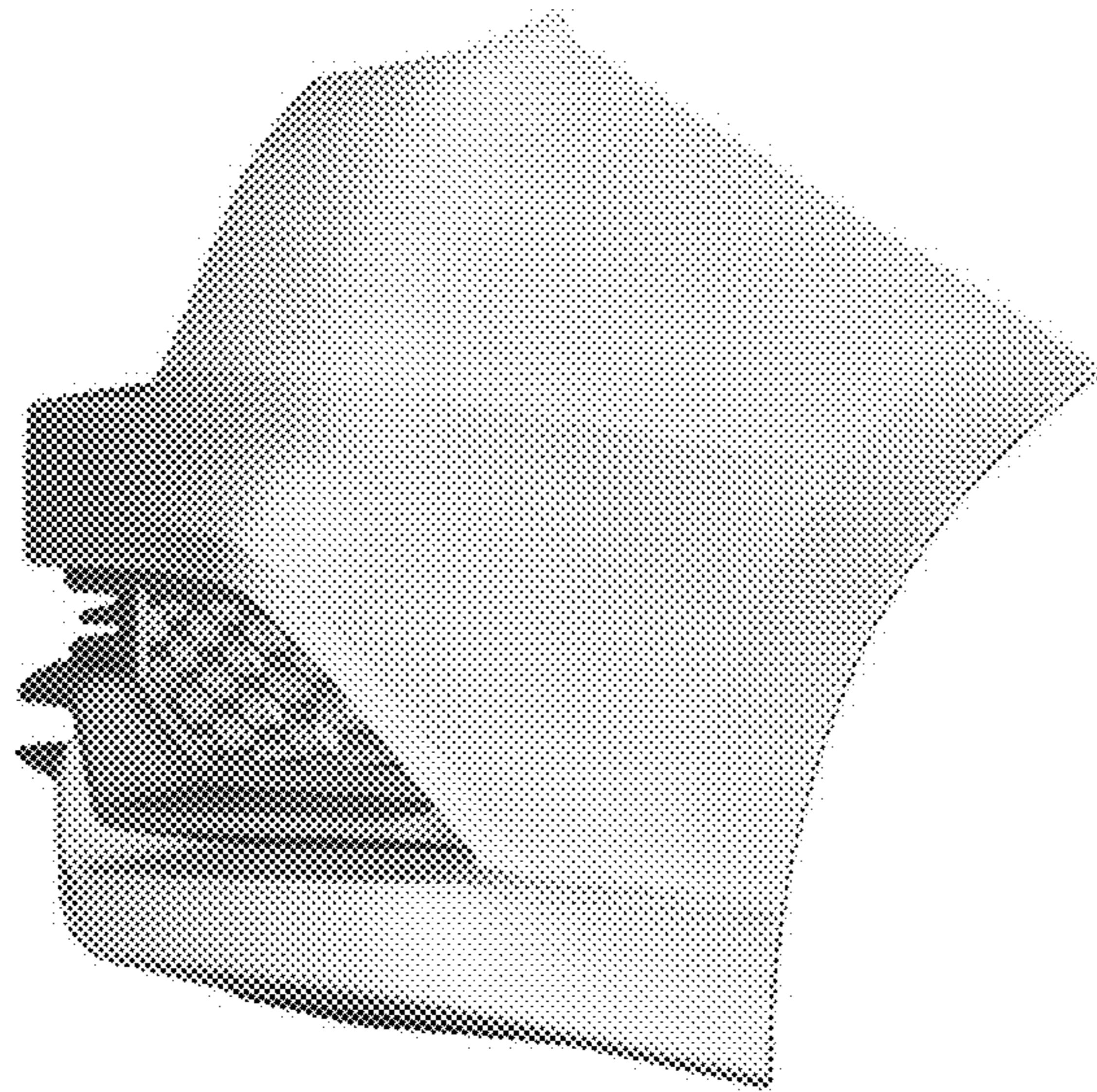


Fig. 9

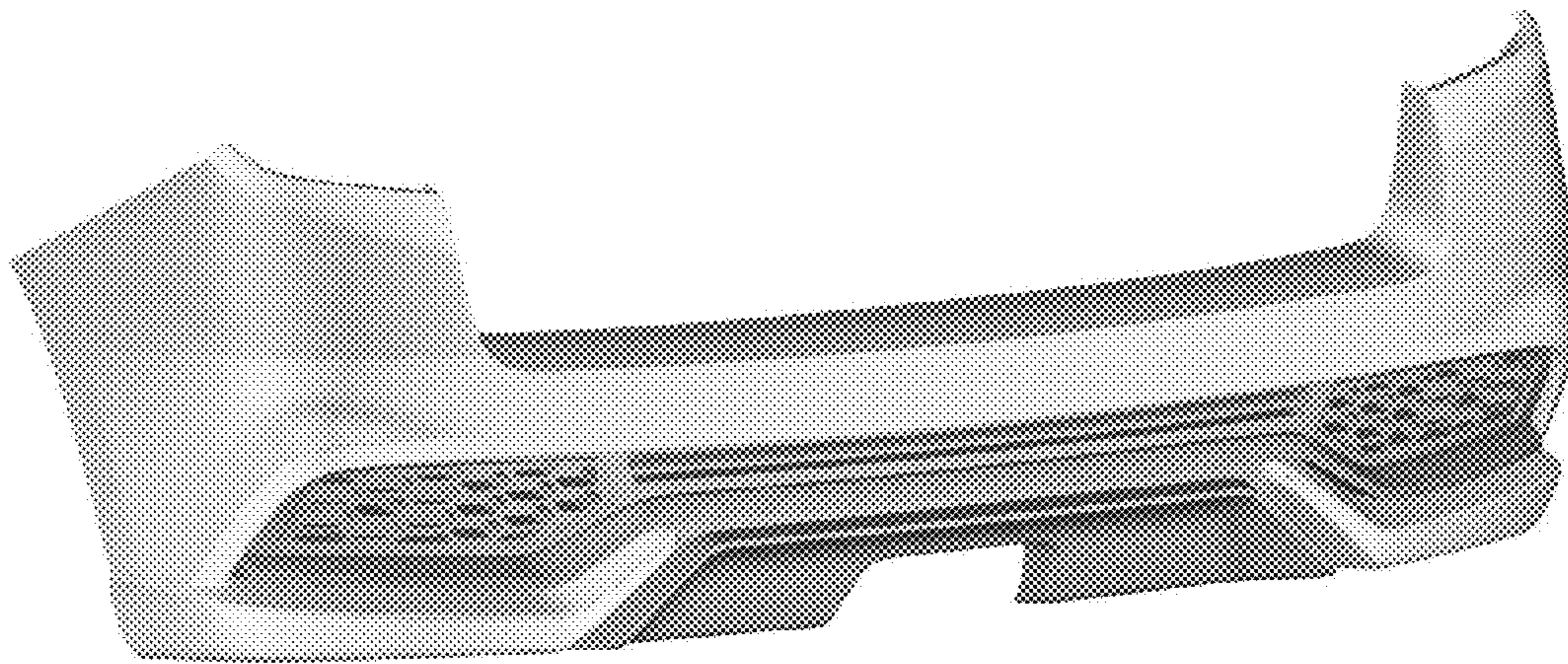


Fig. 10

