

US00D856869S

(12) **United States Design Patent** (10) **Patent No.:** **US D856,869 S**
Schneider (45) **Date of Patent:** **** Aug. 20, 2019**

(54) **REAR BUMPER FOR A VEHICLE**

D824,298 S * 7/2018 Cartabiano D12/169
D824,301 S * 7/2018 Lim D12/169
D840,883 S * 2/2019 Cartabiano et al. D12/169

(71) Applicant: **Bayerische Motoren Werke Aktiengesellschaft, Munich (DE)**

FOREIGN PATENT DOCUMENTS

(72) Inventor: **Alexander Schneider, Munich (DE)**

WO WO DM/071066 6/2009
WO WO DM/080113 8/2013
WO WO DM/094978 8/2017
WO WO DM/099883 2/2018

(73) Assignee: **Bayerische Motoren Werke Aktiengesellschaft, Munich (DE)**

* cited by examiner

(**) Term: **15 Years**

Primary Examiner — Melody N Brown

(21) Appl. No.: **29/637,230**

(74) *Attorney, Agent, or Firm* — Crowell & Moring LLP

(22) Filed: **Feb. 15, 2018**

(57) **CLAIM**

The ornamental design for a rear bumper for a vehicle, as shown and described.

(30) **Foreign Application Priority Data**

DESCRIPTION

Aug. 24, 2017 (DE) 40 2017 100 943

(51) **LOC (12) Cl.** **12-16**

(52) **U.S. Cl.**
USPC **D12/169**

(58) **Field of Classification Search**
USPC D12/169, 216, 90–92, 86, 171, 196, 163;
293/102, 113, 115, 117, 120; 296/180.1,
296/180.2

CPC B60R 19/02; B60R 19/04; B62D 25/08
See application file for complete search history.

This application contains subject matter related to the following co-pending U.S. design patent applications:

Application Ser. No. 29/594,694, filed Feb. 22, 2017 and entitled “Rear Bumper for a Vehicle”;

Application Ser. No. 29/594,696, filed Feb. 22, 2017 and entitled “Rear Bumper for a Vehicle”;

Application Ser. No. 29/637,226, filed herewith and entitled “Vehicle, Toy, and/or Replicas Thereof”; and

Application Ser. No. 29/637,231, filed herewith and entitled “Rear Bumper for a Vehicle”.

FIG. 1 is a front view of a rear bumper for a vehicle according to the design;

FIG. 2 is a left, front perspective view thereof;

FIG. 3 is a right, front perspective view thereof;

FIG. 4 is a left side view thereof;

FIG. 5 is a right side view thereof;

FIG. 6 is a top view thereof;

FIG. 7 is a bottom view thereof; and,

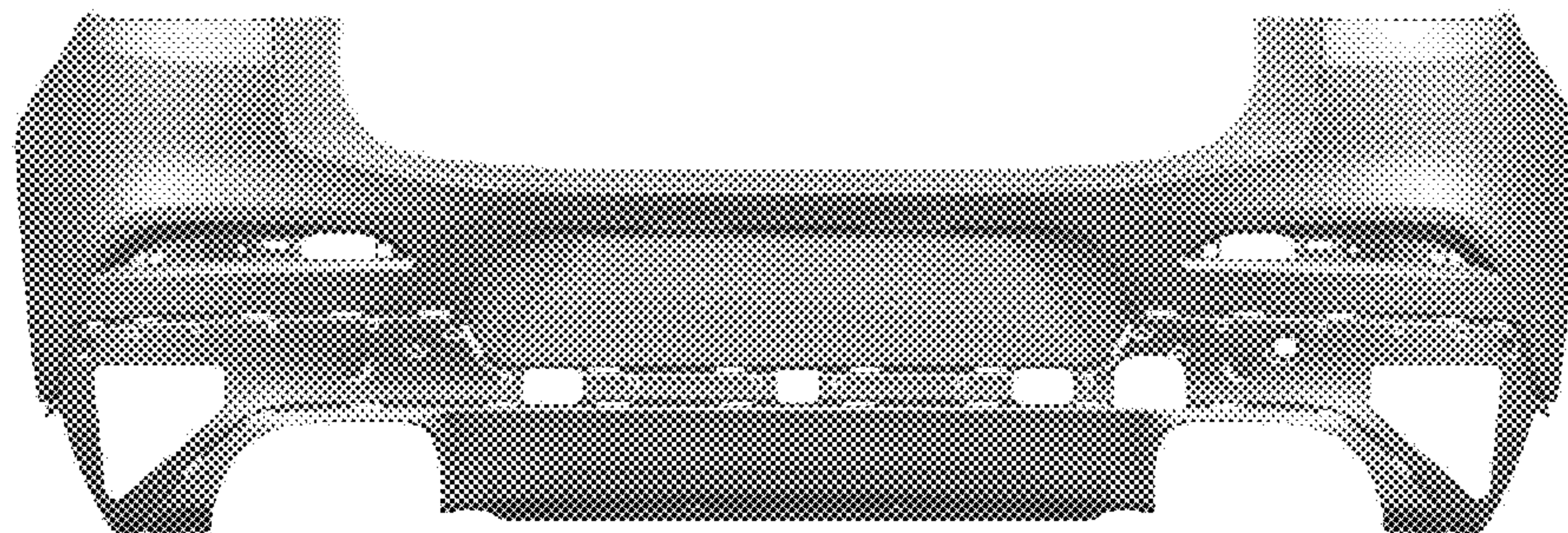
FIG. 8 is a rear view thereof.

(56) **References Cited**

U.S. PATENT DOCUMENTS

D610,499 S 2/2010 Truebsbach
D801,890 S * 11/2017 Han D12/169
D813,110 S * 3/2018 Whitla et al. D12/169
D813,114 S * 3/2018 Zurian D12/169
D813,115 S * 3/2018 Holstein D12/169
D813,753 S * 3/2018 Loeb D12/169
D818,402 S * 5/2018 Kawakami et al. D12/169
D819,525 S * 6/2018 Behmer et al. D12/169

1 Claim, 8 Drawing Sheets



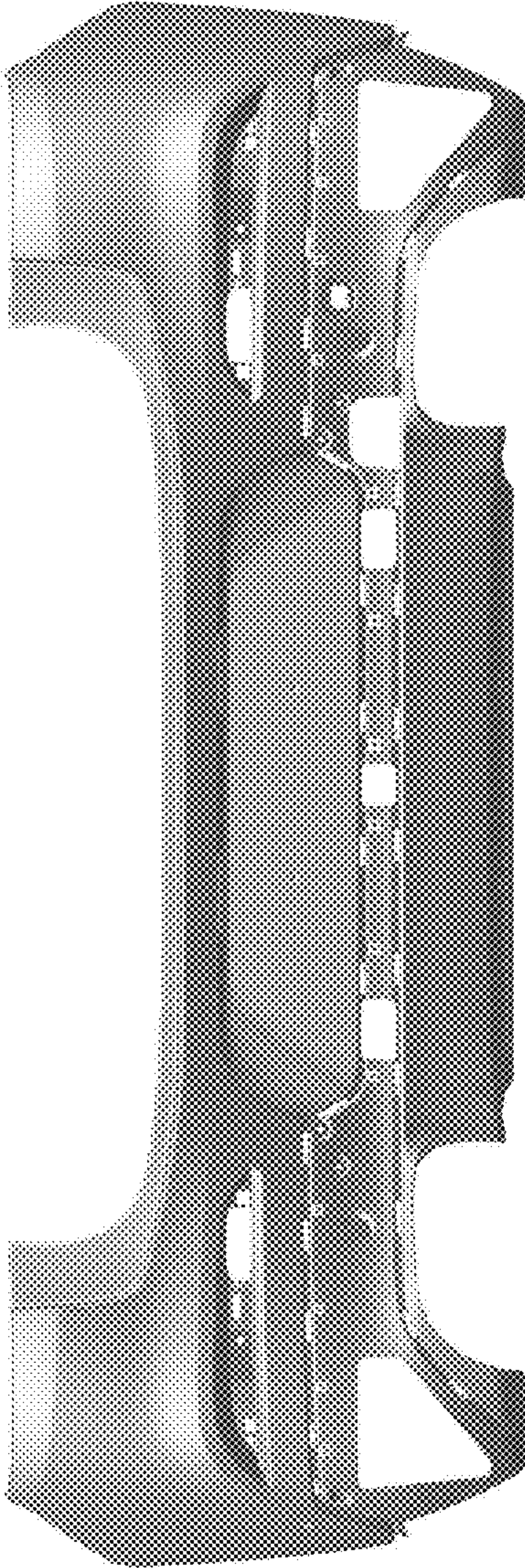


Fig. 1

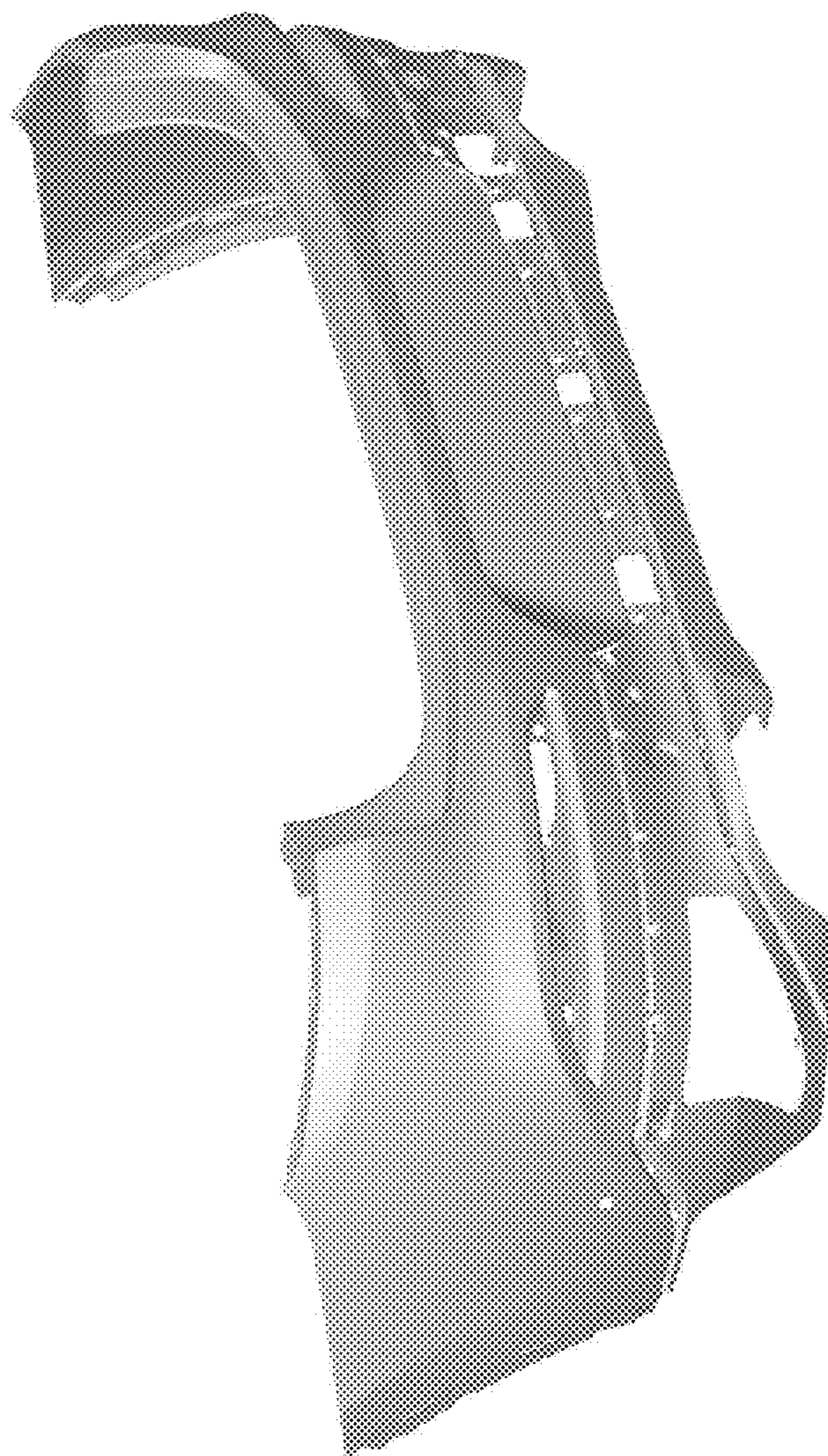


Fig. 2

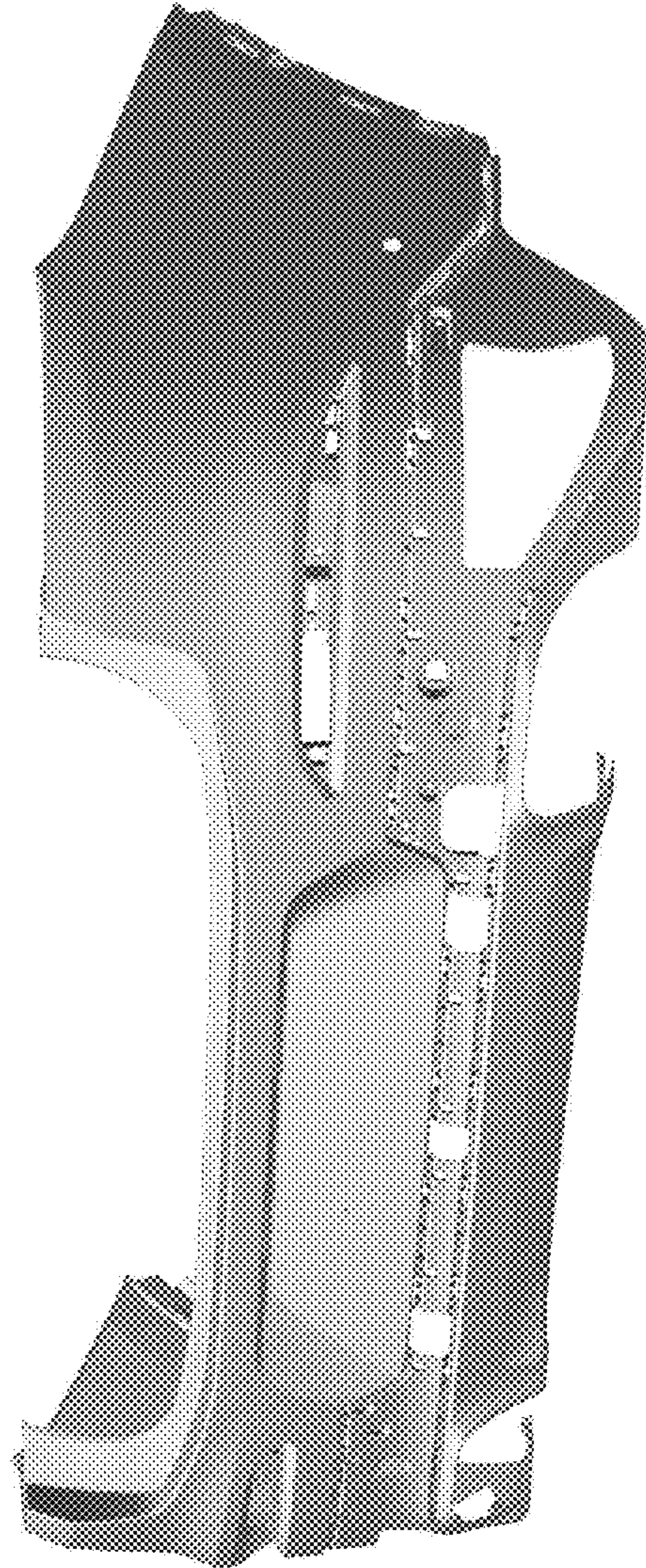


Fig. 3

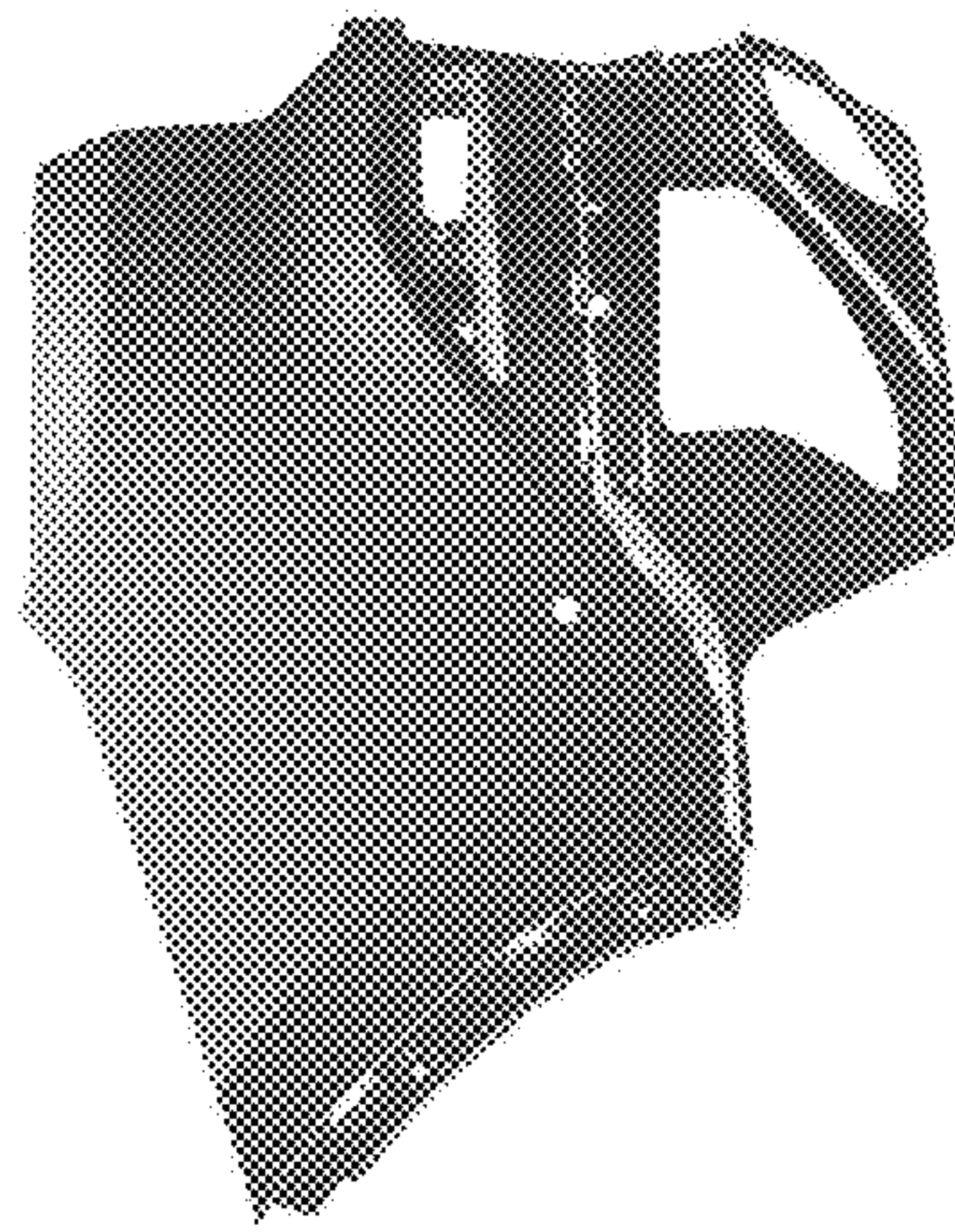


Fig. 4

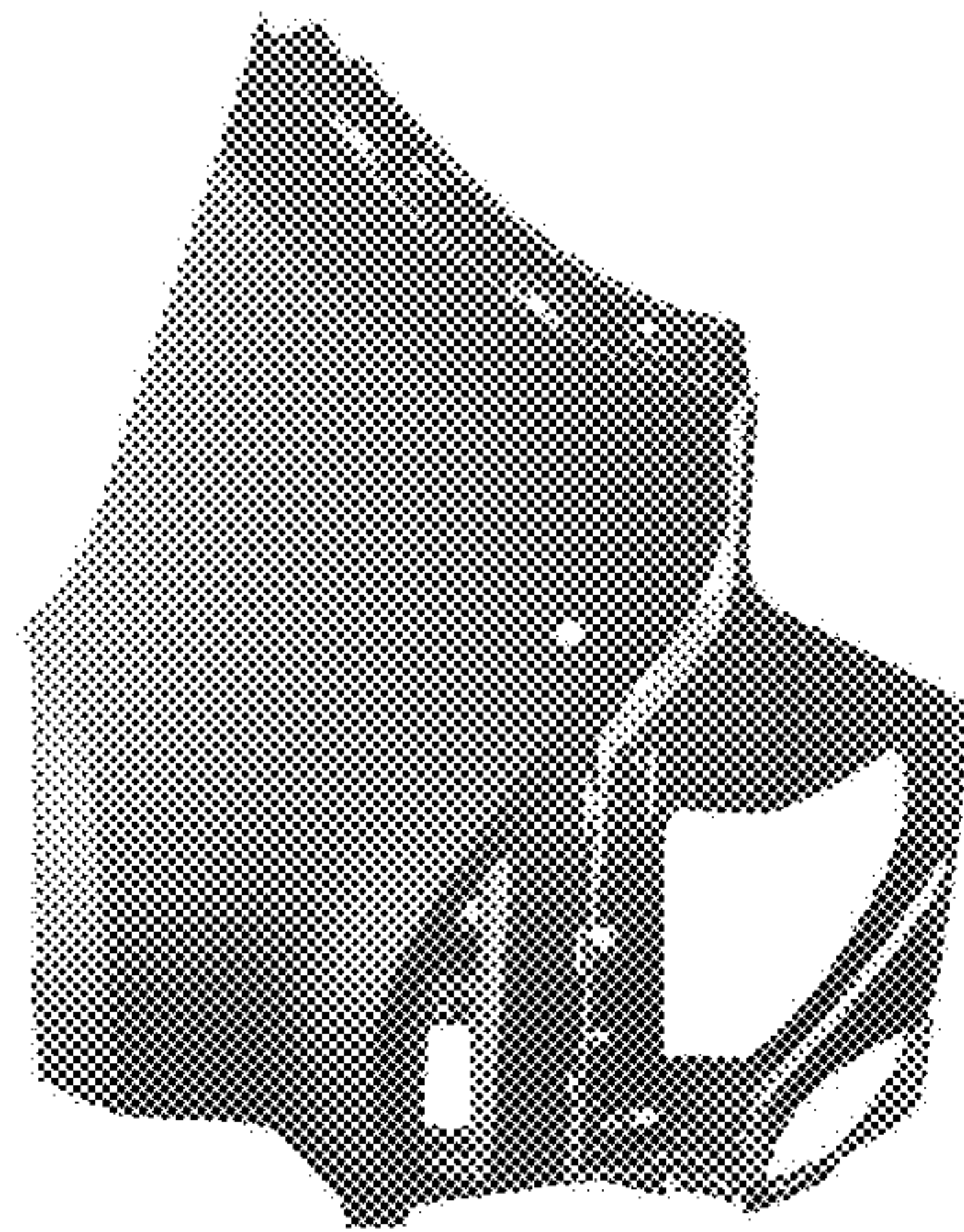


Fig. 5

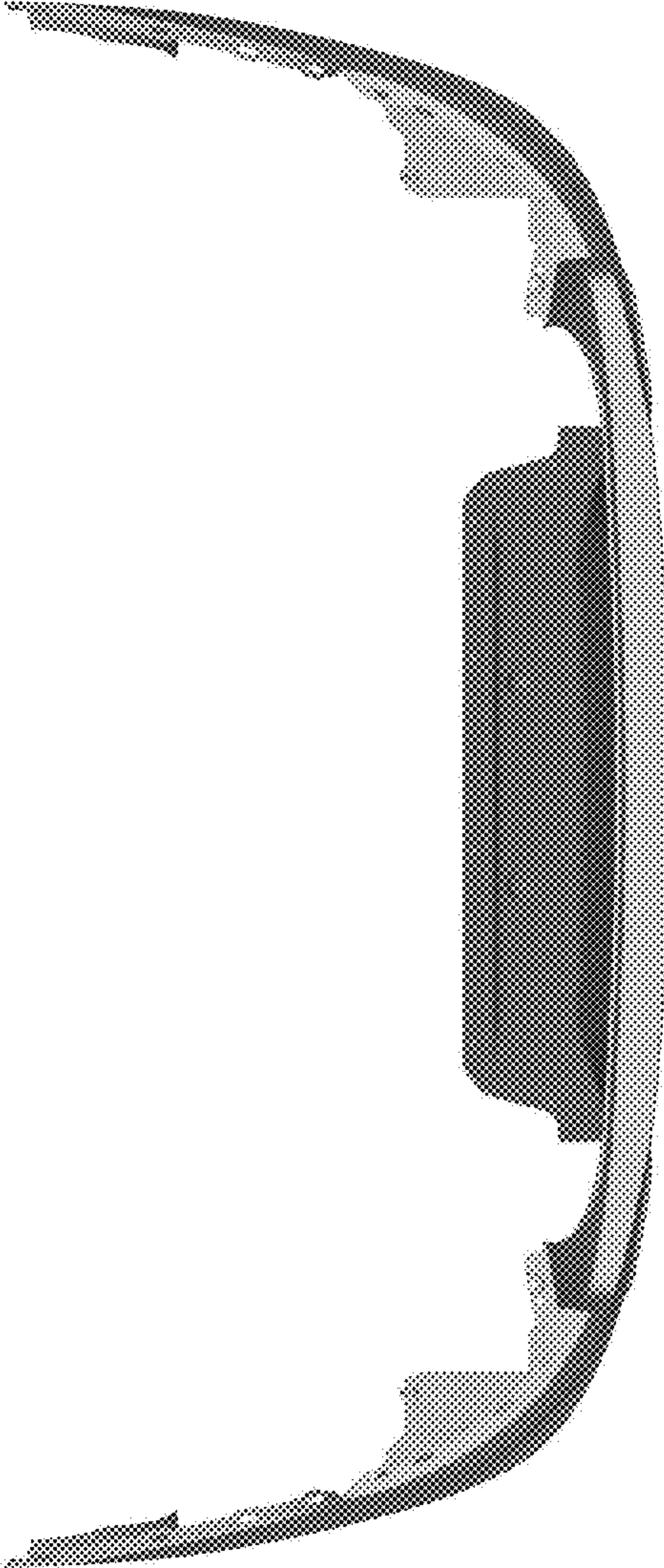


Fig. 6

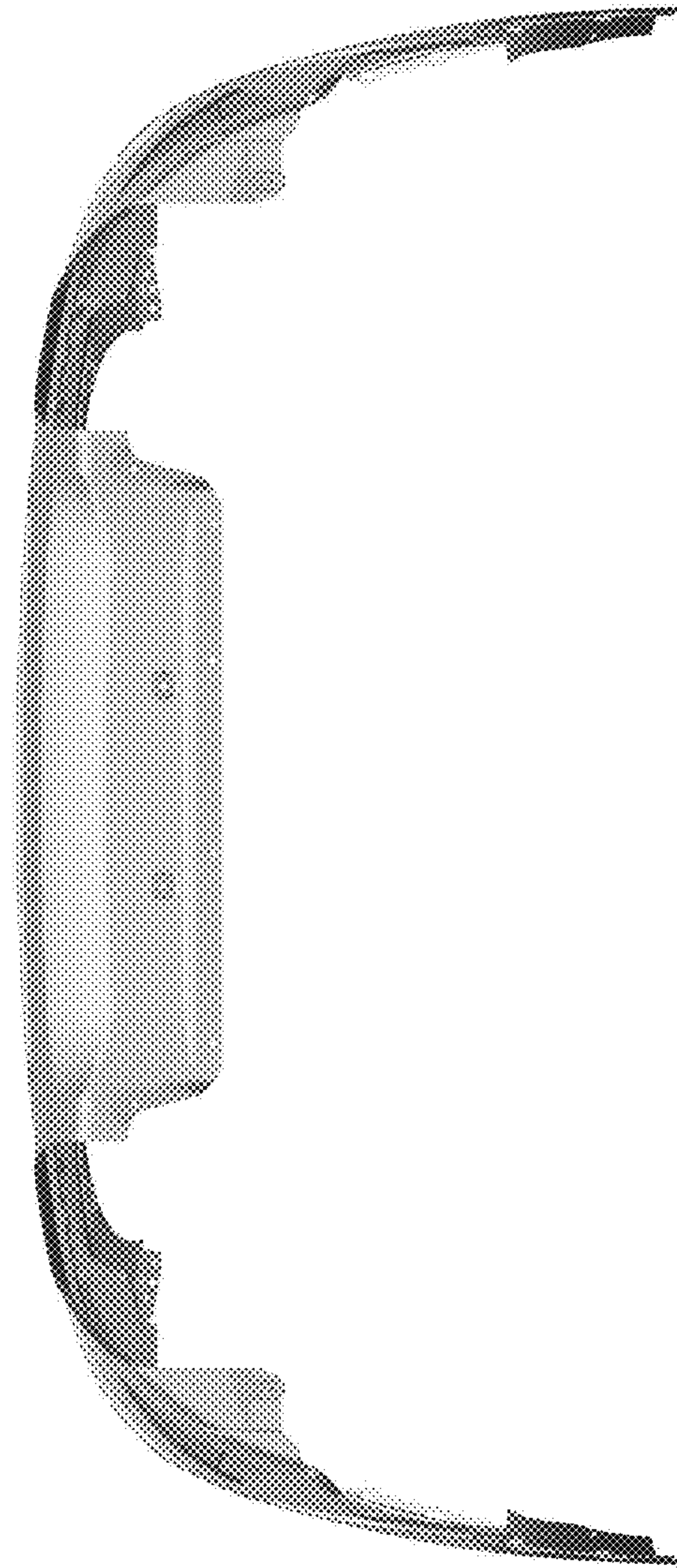


Fig. 7

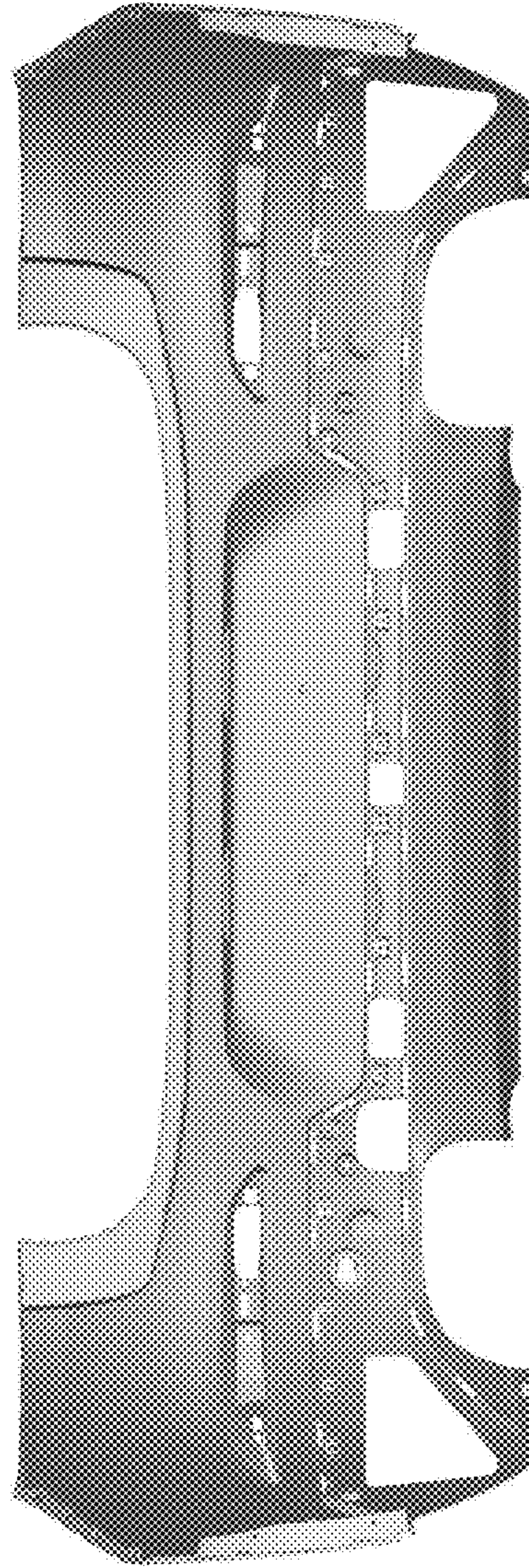


Fig. 8