



US00D856867S

(12) **United States Design Patent** (10) **Patent No.:** **US D856,867 S**
Elstner (45) **Date of Patent:** **** Aug. 20, 2019**

(54) **REAR BUMPER FOR A VEHICLE**
(71) Applicant: **Bayerische Motoren Werke Aktiengesellschaft, Munich (DE)**
(72) Inventor: **Eric Elstner, Stuttgart (DE)**
(73) Assignee: **Bayerische Motoren Werke Aktiengesellschaft, Munich (DE)**

D824,822 S * 8/2018 Nakamura D12/169
D840,296 S * 2/2019 Buckingham D12/169
D842,769 S * 3/2019 Takamatsu D12/169

FOREIGN PATENT DOCUMENTS

WO WO DM/080113 8/2013
WO WO DM/081880 4/2014

OTHER PUBLICATIONS

The BMW Concept Z4. Freedom on four wheels. BMW Group, PressClub Global Article, available at <https://www.press.bmwgroup.com/global/article/detail/T0273522EN/the-bmw-concept-z4-freedom-on-four-wheels>, Aug. 17, 2017.

* cited by examiner

Primary Examiner — Melody N Brown
(74) *Attorney, Agent, or Firm* — Crowell & Moring LLP

(57) **CLAIM**

The ornamental design for a rear bumper for a vehicle, as shown and described.

DESCRIPTION

This application contains subject matter related to the following co-pending U.S. design patent application: Application Ser. No. 29/631,780, filed herewith and entitled "Rear Bumper for a Vehicle".

FIG. 1 is a front view of a rear bumper for a vehicle according to the design;
FIG. 2 is a left, front perspective view thereof;
FIG. 3 is a right, front perspective view thereof;
FIG. 4 is a left side view thereof;
FIG. 5 is a right side view thereof;
FIG. 6 is a top view thereof;
FIG. 7 is a bottom view thereof; and,
FIG. 8 is a rear view thereof.

1 Claim, 8 Drawing Sheets

(**) Term: **15 Years**

(21) Appl. No.: **29/631,783**

(22) Filed: **Jan. 3, 2018**

(30) **Foreign Application Priority Data**

Jul. 11, 2017 (DE) 40 2017 100 810

(51) **LOC (12) Cl.** **12-16**

(52) **U.S. Cl.**
USPC **D12/169**

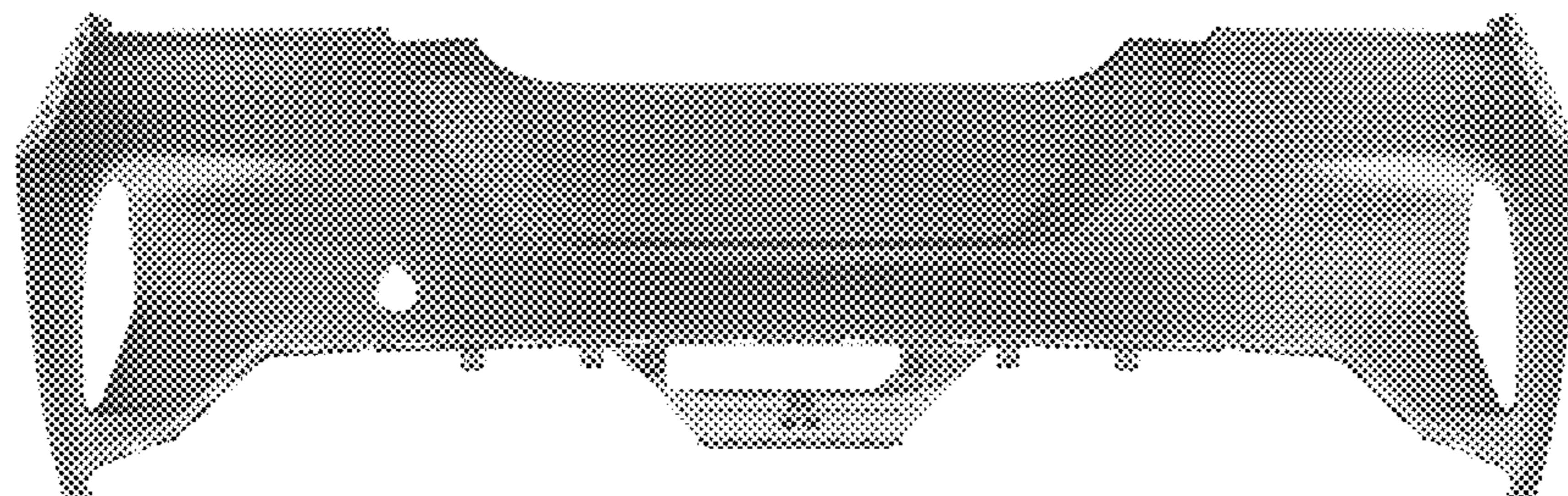
(58) **Field of Classification Search**
USPC D12/169, 216, 90-92, 86, 171, 196, 163;
293/102, 113, 115, 117, 120; 296/180.1,
296/180.2

CPC B60R 19/02; B60R 19/04; B62D 25/08
See application file for complete search history.

(56) **References Cited**

U.S. PATENT DOCUMENTS

D717,220 S * 11/2014 Murakawa D12/169
D762,532 S * 8/2016 Tsutamori D12/169
D770,949 S * 11/2016 Morikawa D12/169
D778,791 S * 2/2017 Burki D12/169
D793,298 S * 8/2017 Matsumoto D12/169
D793,922 S * 8/2017 Katou D12/169
D795,141 S * 8/2017 Ikeda D12/169
D807,799 S * 1/2018 Kimura D12/169
D824,821 S * 8/2018 Nakamura D12/169



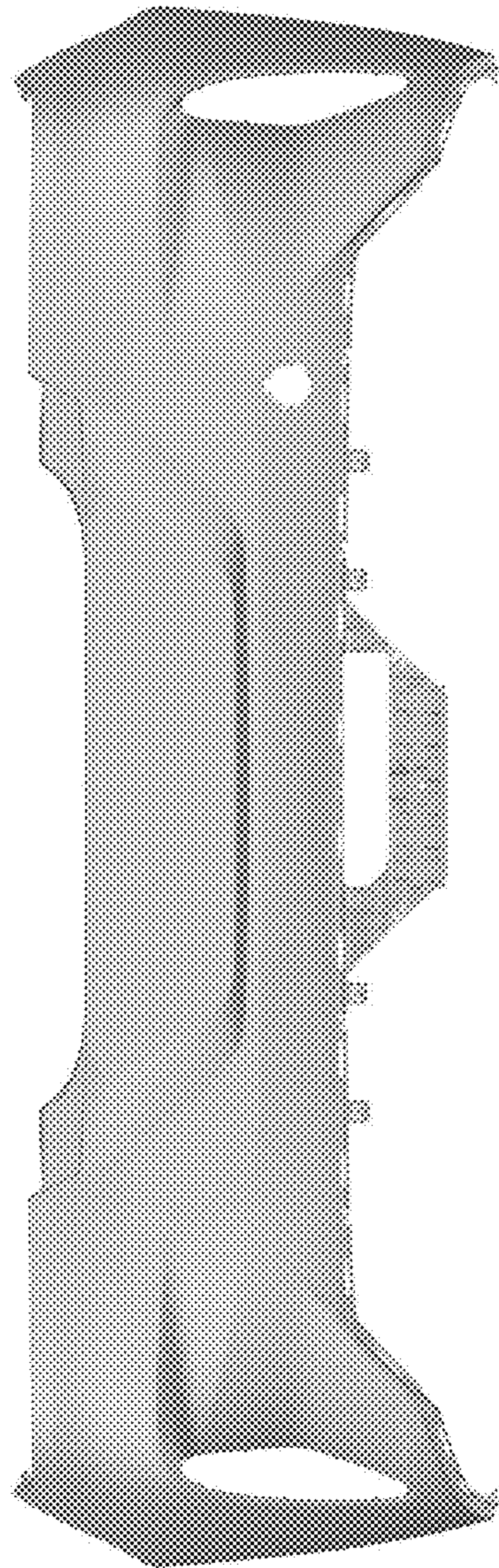


Fig. 1

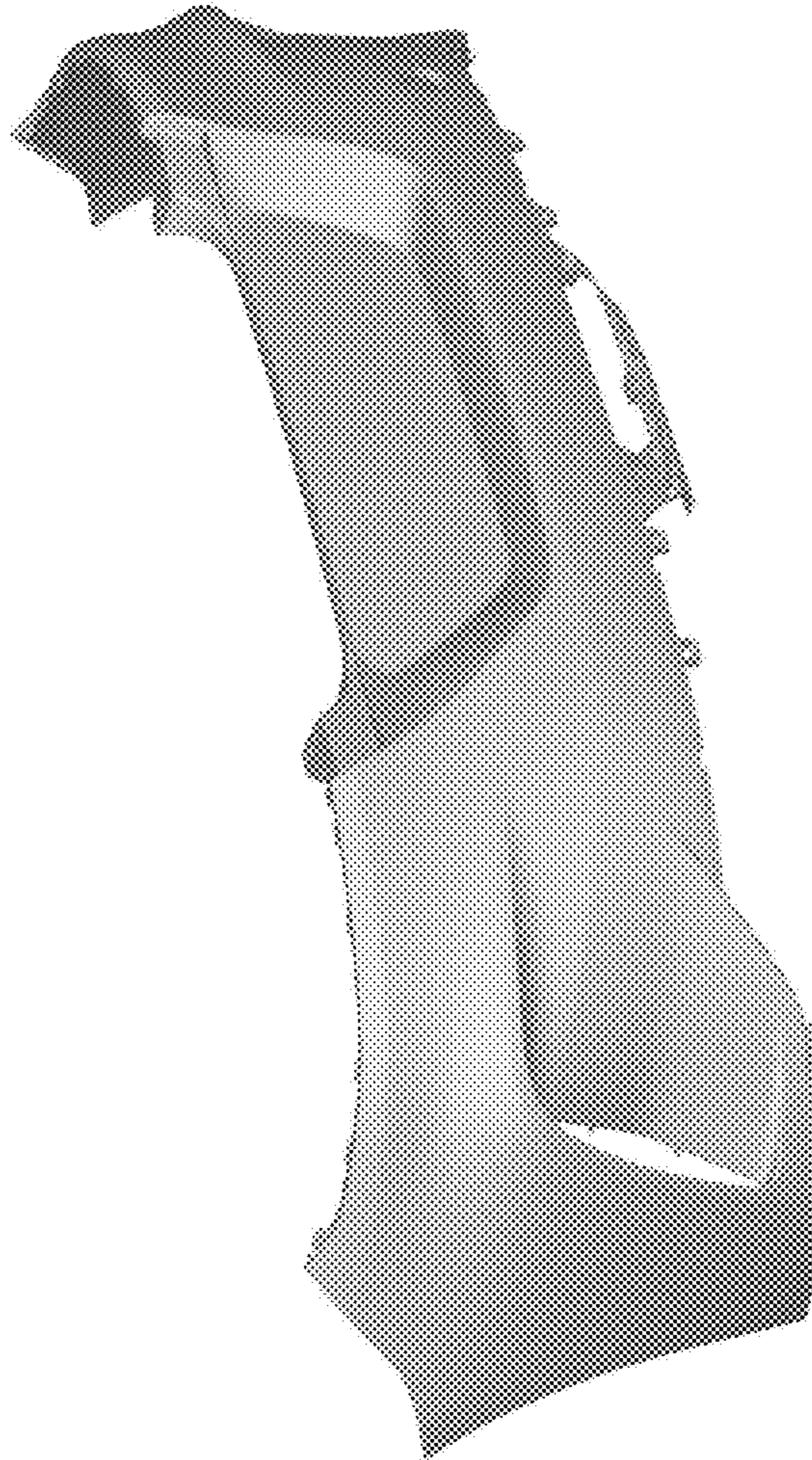


Fig. 2

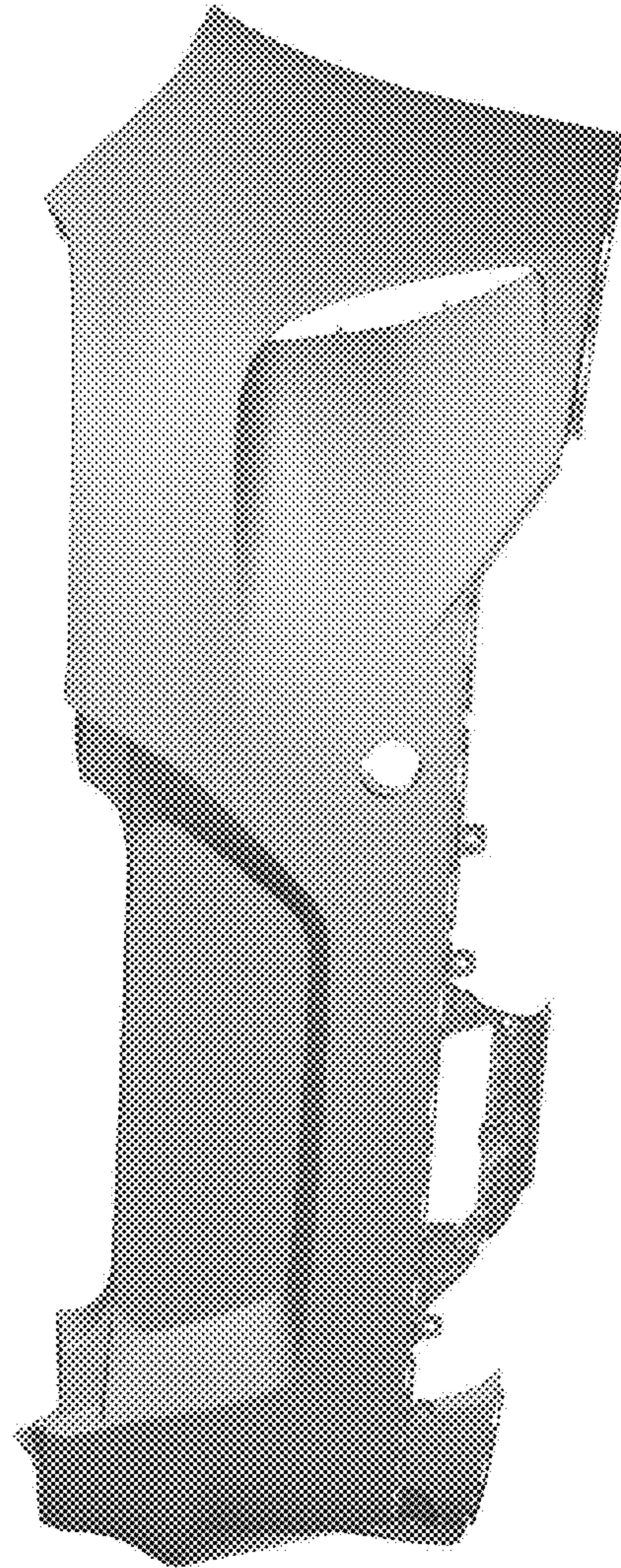


Fig. 3

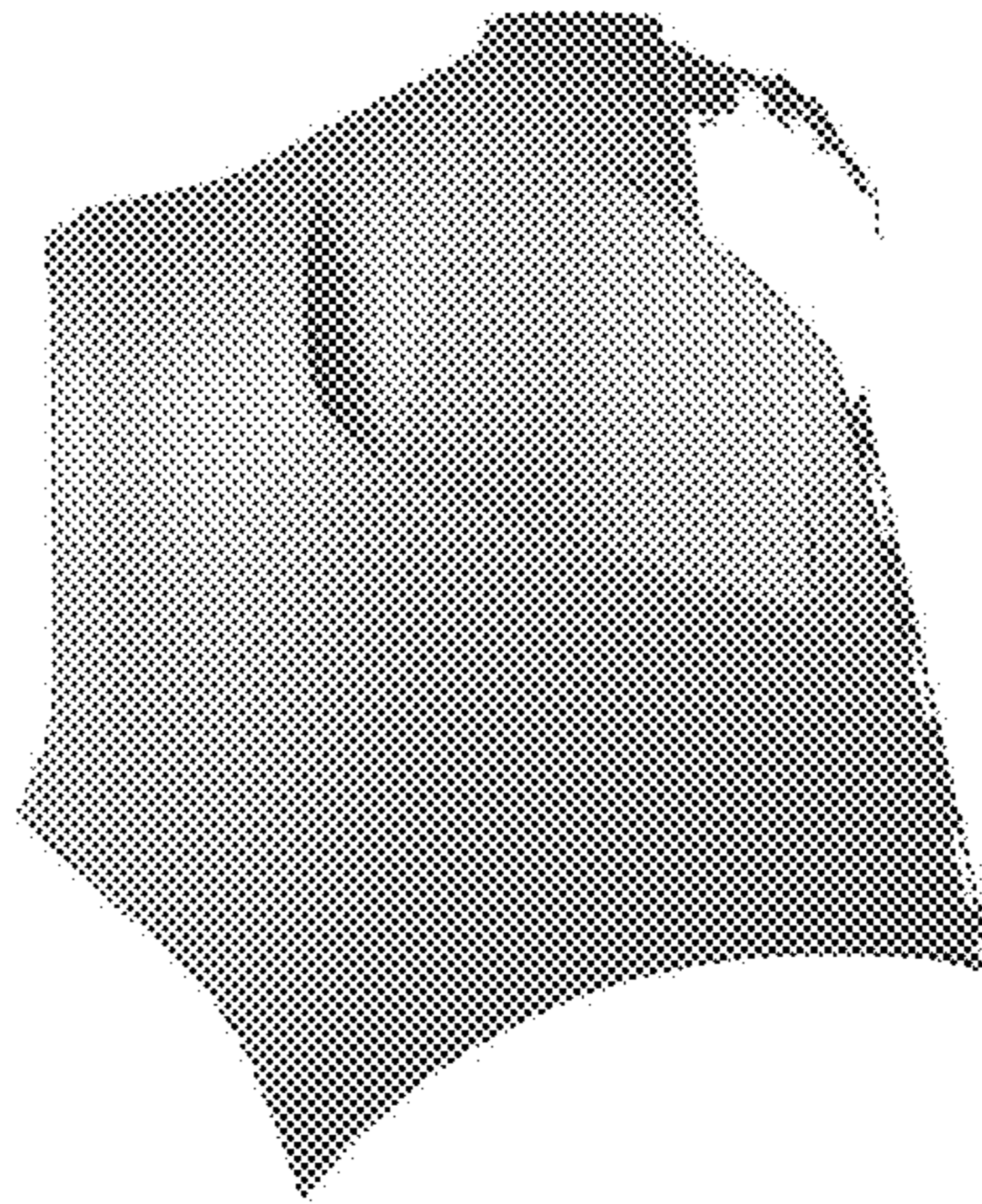


Fig. 4

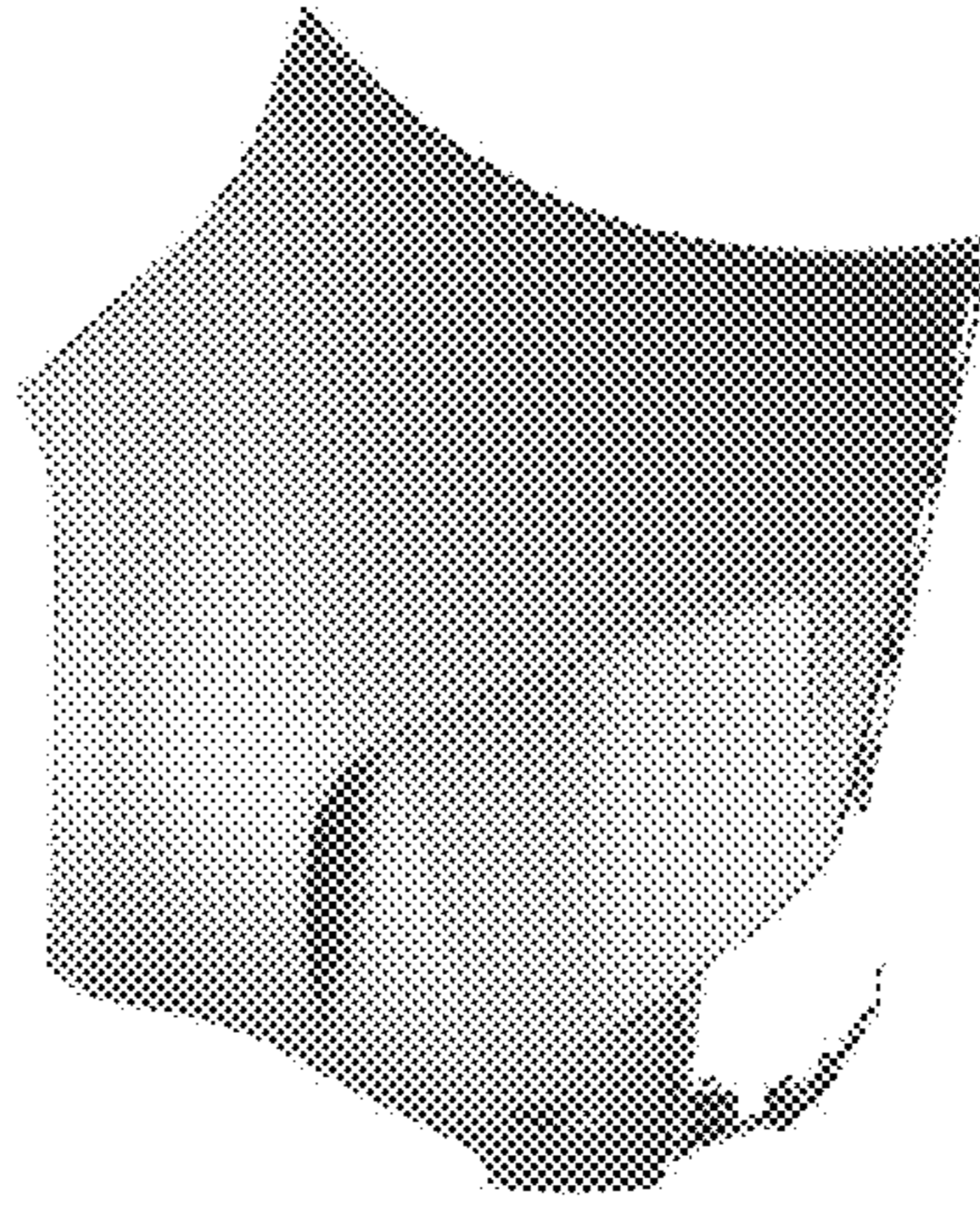


Fig. 5

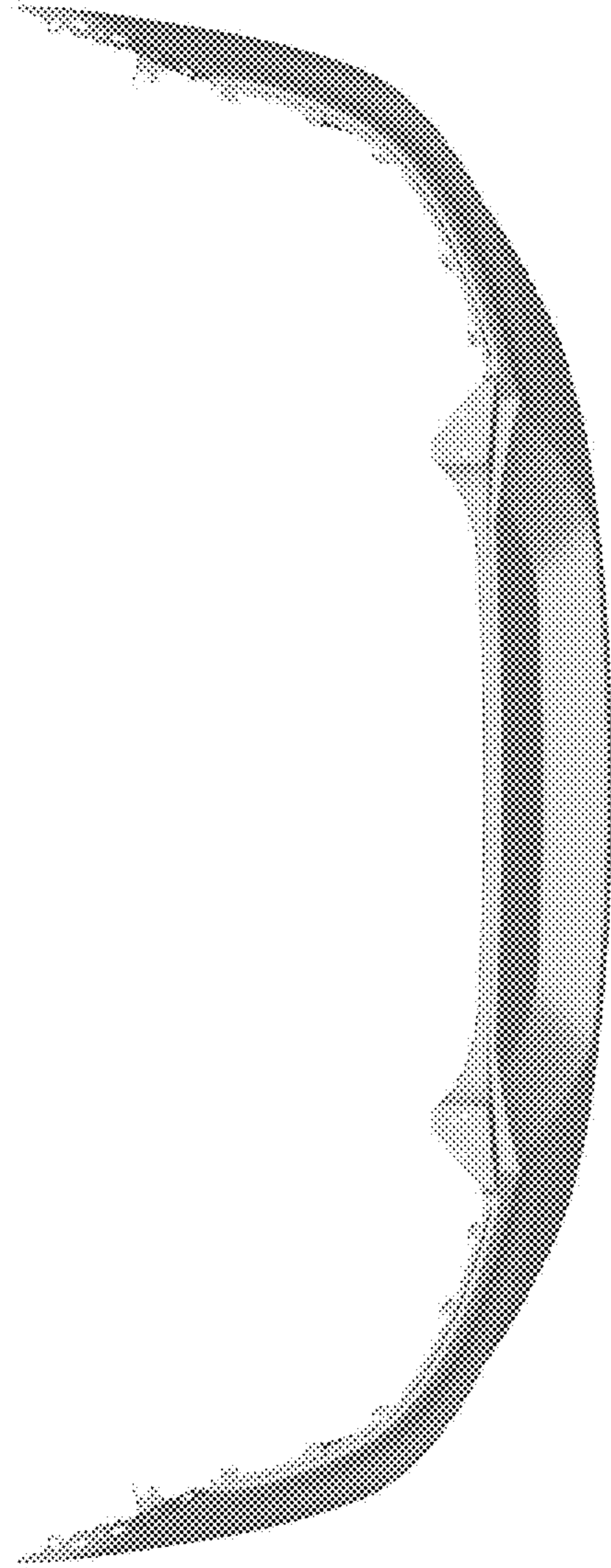


Fig. 6

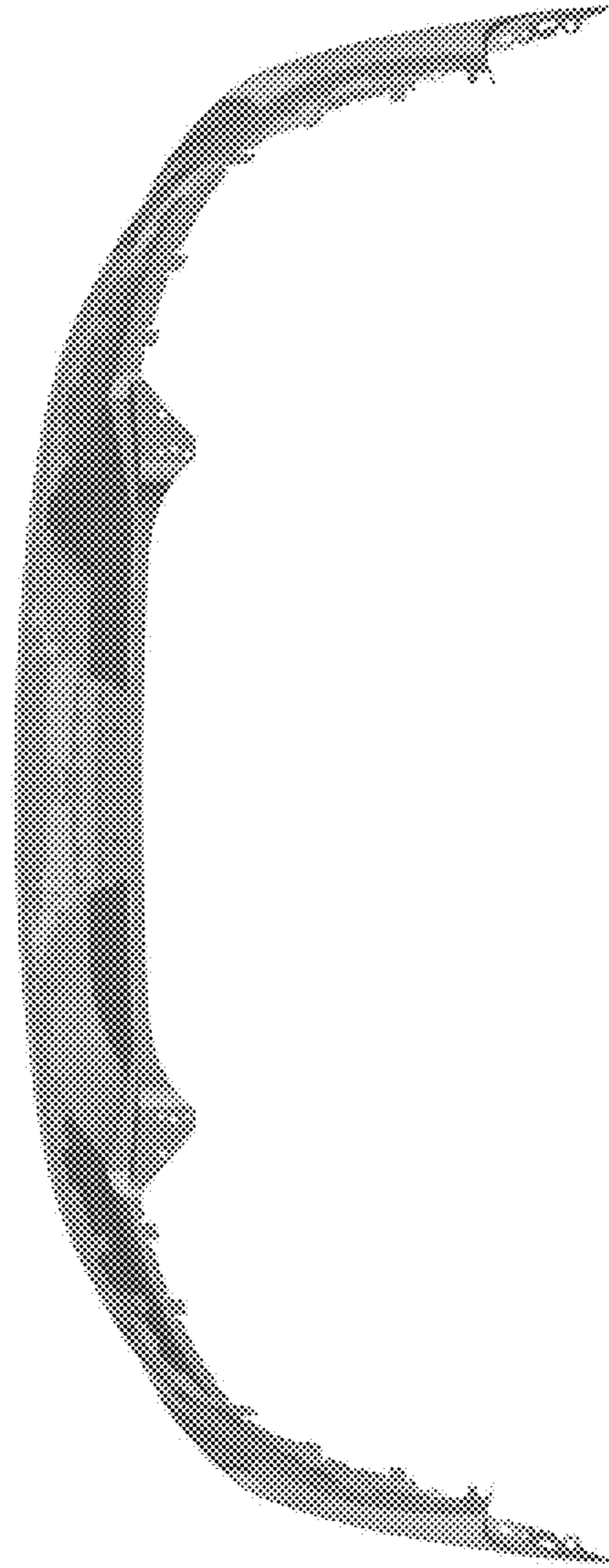


Fig. 7

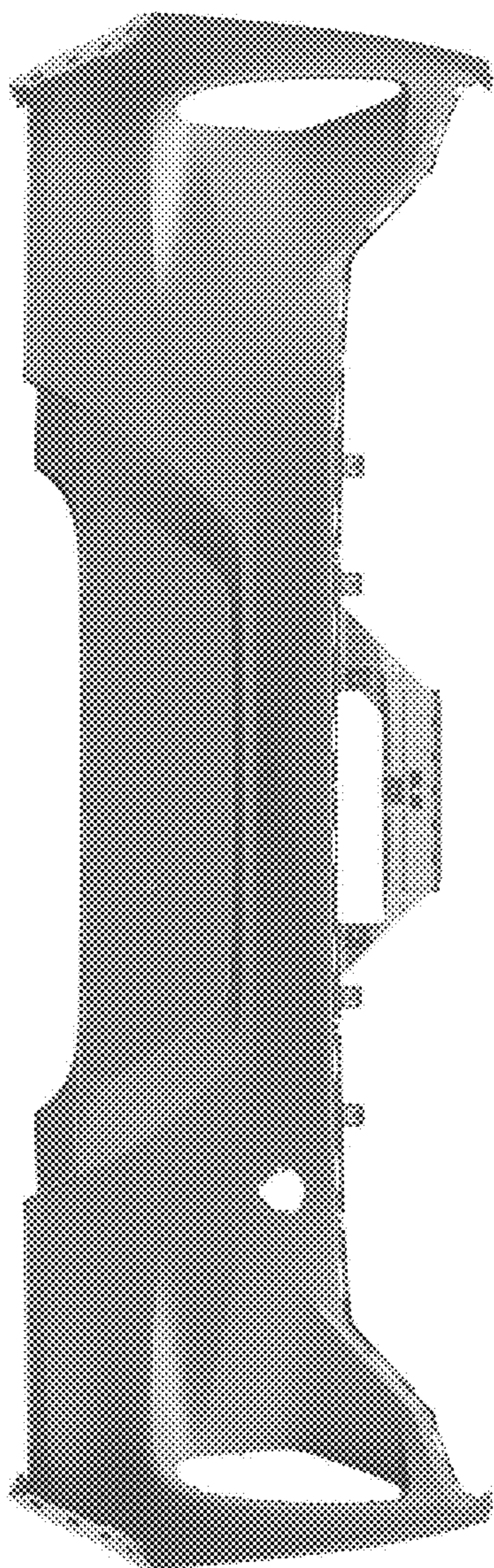


Fig. 8