

US00D856862S

(12) **United States Design Patent**
Lucas et al.

(10) **Patent No.:** **US D856,862 S**

(45) **Date of Patent:** **** Aug. 20, 2019**

(54) **VEHICLE FRONT LOWER GRILLE**

(71) Applicant: **Ford Global Technologies, LLC,**
Dearborn, MI (US)

(72) Inventors: **Earl C. Lucas,** Southfield, MI (US);
Keith Rogman, Fenton, MI (US);
Hojoon Kang, Novi, MI (US); **David**
Woodhouse, Troy, MI (US)

(73) Assignee: **Ford Global Technologies, LLC,**
Dearborn, MI (US)

(**) Term: **15 Years**

(21) Appl. No.: **29/624,490**

(22) Filed: **Nov. 1, 2017**

(51) **LOC (12) Cl.** **12-16**

(52) **U.S. Cl.**
USPC **D12/163**

(58) **Field of Classification Search**
USPC D12/86, 90-92, 98, 163, 169, 171, 196,
D12/216

CPC ... B60R 19/50; B60R 19/52; B60R 2019/525;
B60K 11/08; B60K 11/085; B62D 25/08;
B62D 25/084

See application file for complete search history.

(56) **References Cited**

U.S. PATENT DOCUMENTS

D615,465 S * 5/2010 Fujiwara D12/169
D634,681 S * 3/2011 Hirabayashi D12/169

D668,593 S * 10/2012 Imai D12/169
D753,556 S * 4/2016 Wolff D12/163
D771,534 S * 11/2016 Bucher D12/169
D807,227 S * 1/2018 Chen D12/91
D827,511 S * 9/2018 Woodhouse D12/163
D839,140 S * 1/2019 Bucher D12/163

OTHER PUBLICATIONS

<https://www.lincoln.com/luxury-crossovers/nautilus/gallery/> Mar. 4,
2019 (Year: 2019).*

* cited by examiner

Primary Examiner — Leanne Was-Englehart

(74) *Attorney, Agent, or Firm* — vichit Chea

(57) **CLAIM**

The ornamental design for a vehicle front lower grille, as
shown and described.

DESCRIPTION

FIG. 1 is a top, front, and left side perspective view of a
vehicle front lower grille, showing our new design;

FIG. 2 is a bottom, front, and left side perspective view
thereof;

FIG. 3 is a top, rear, and left side perspective view thereof;

FIG. 4 is a front elevational view thereof;

FIG. 5 is a rear elevational view thereof;

FIG. 6 is a left side elevational view thereof;

FIG. 7 is a right side elevational view thereof;

FIG. 8 is a top plan view thereof; and,

FIG. 9 is a bottom plan view thereof.

1 Claim, 9 Drawing Sheets



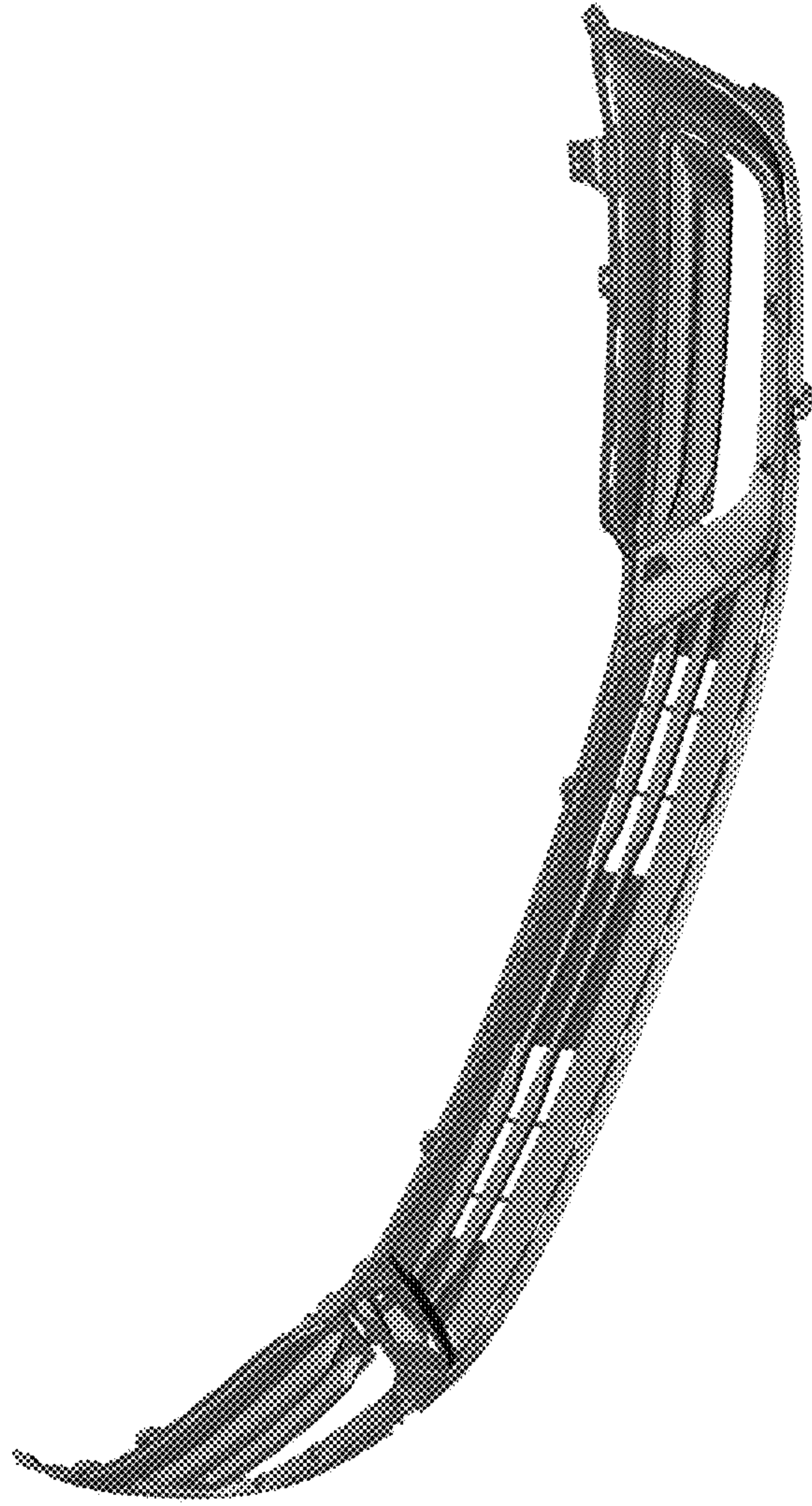


FIG. 1

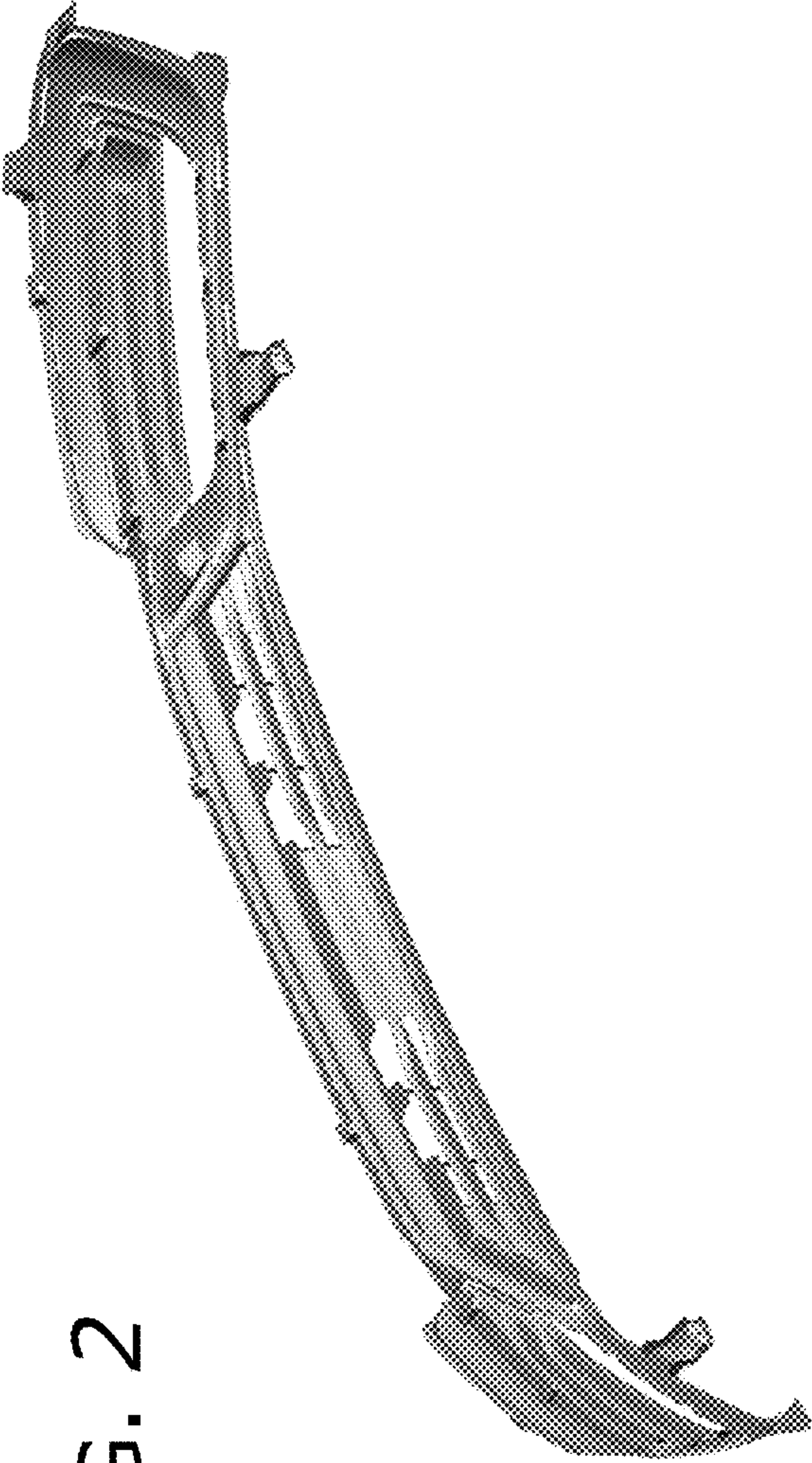


FIG. 2

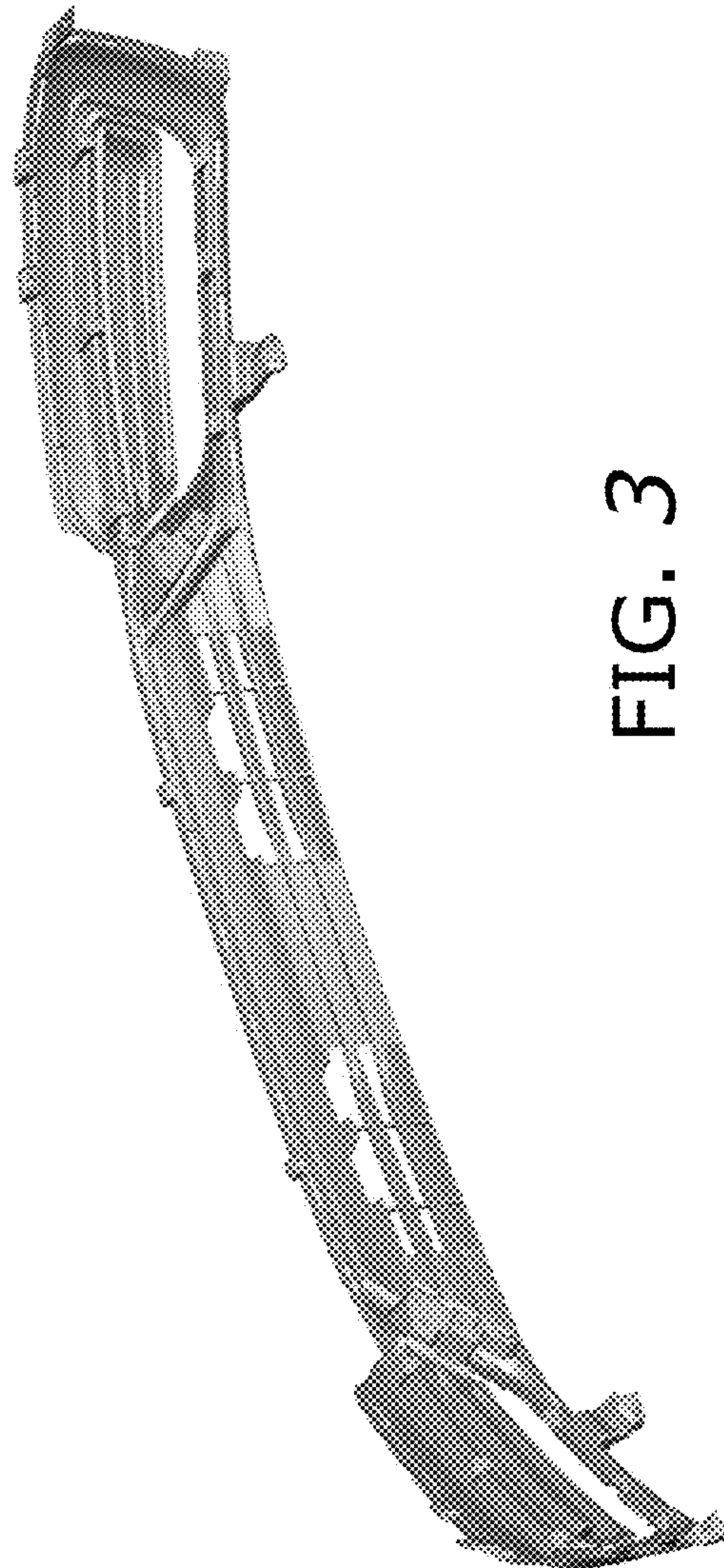


FIG. 3

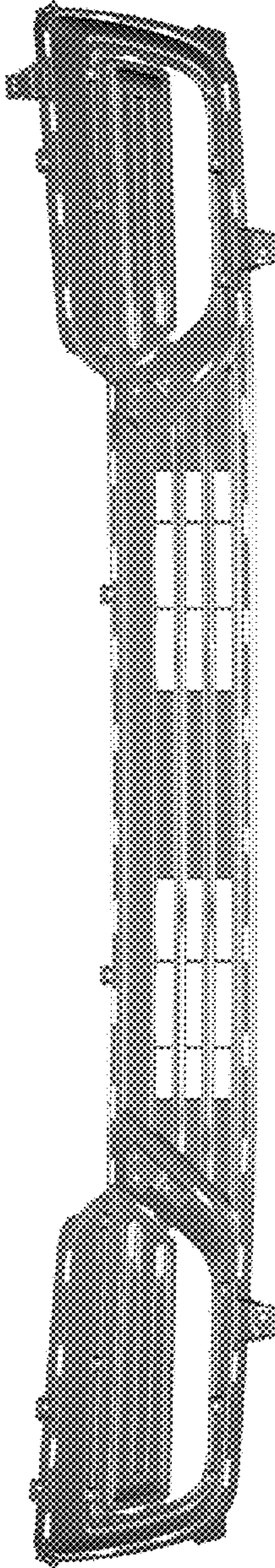


FIG. 4

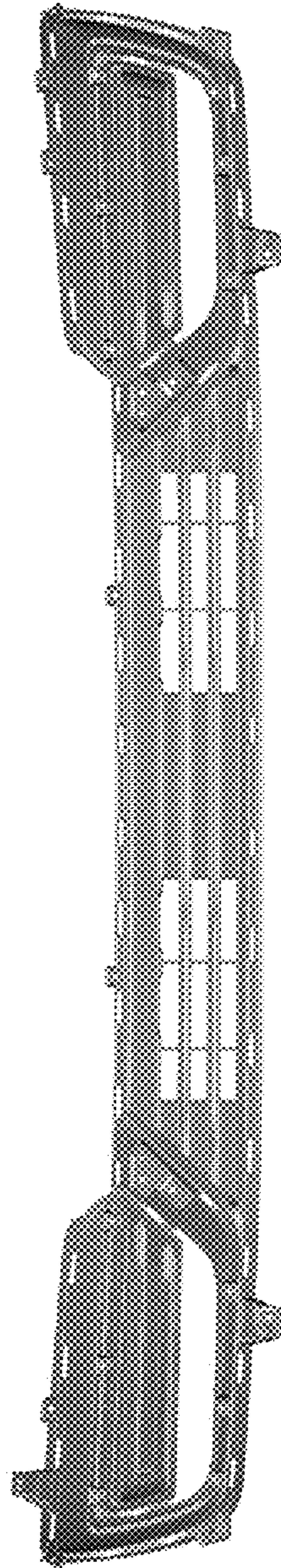


FIG. 5

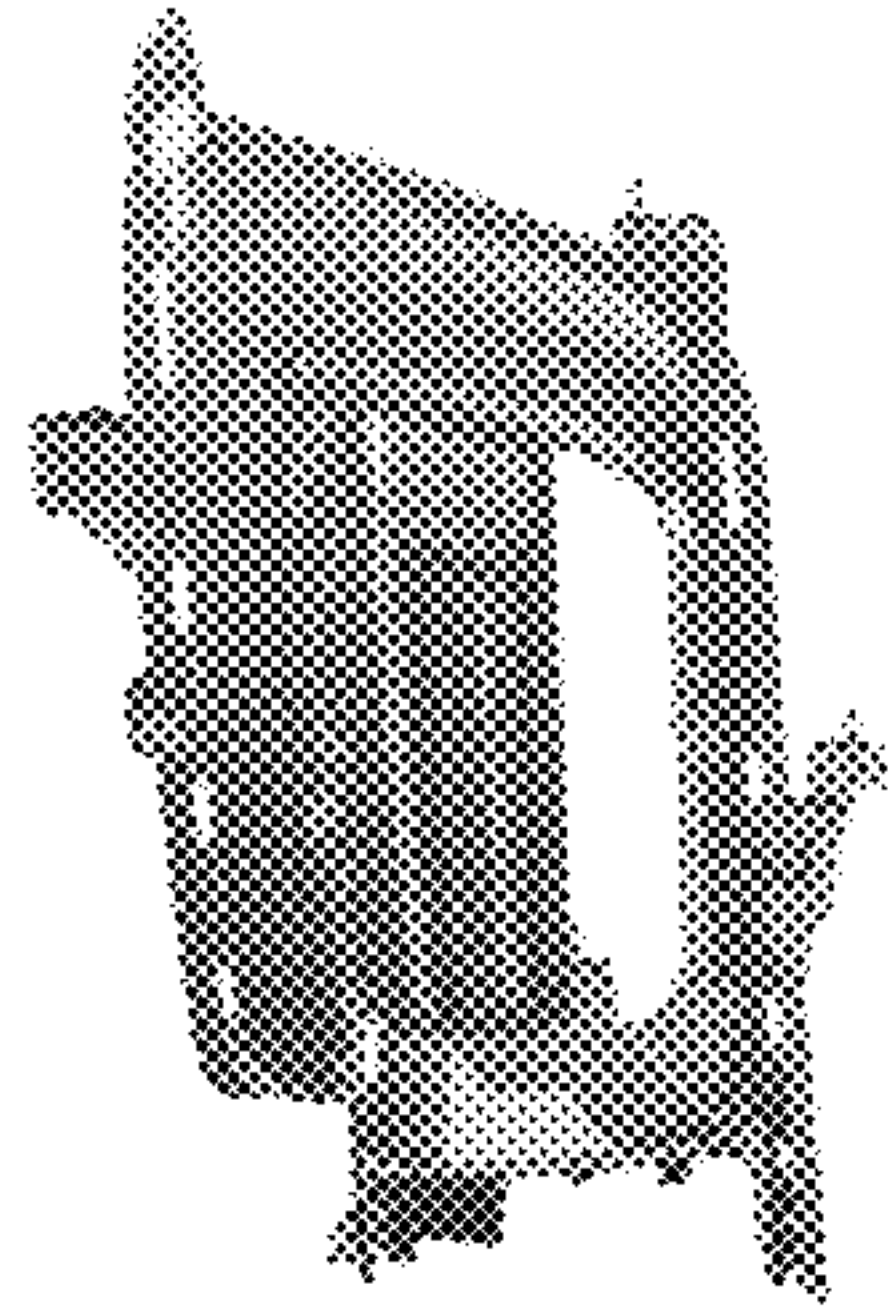


FIG. 6

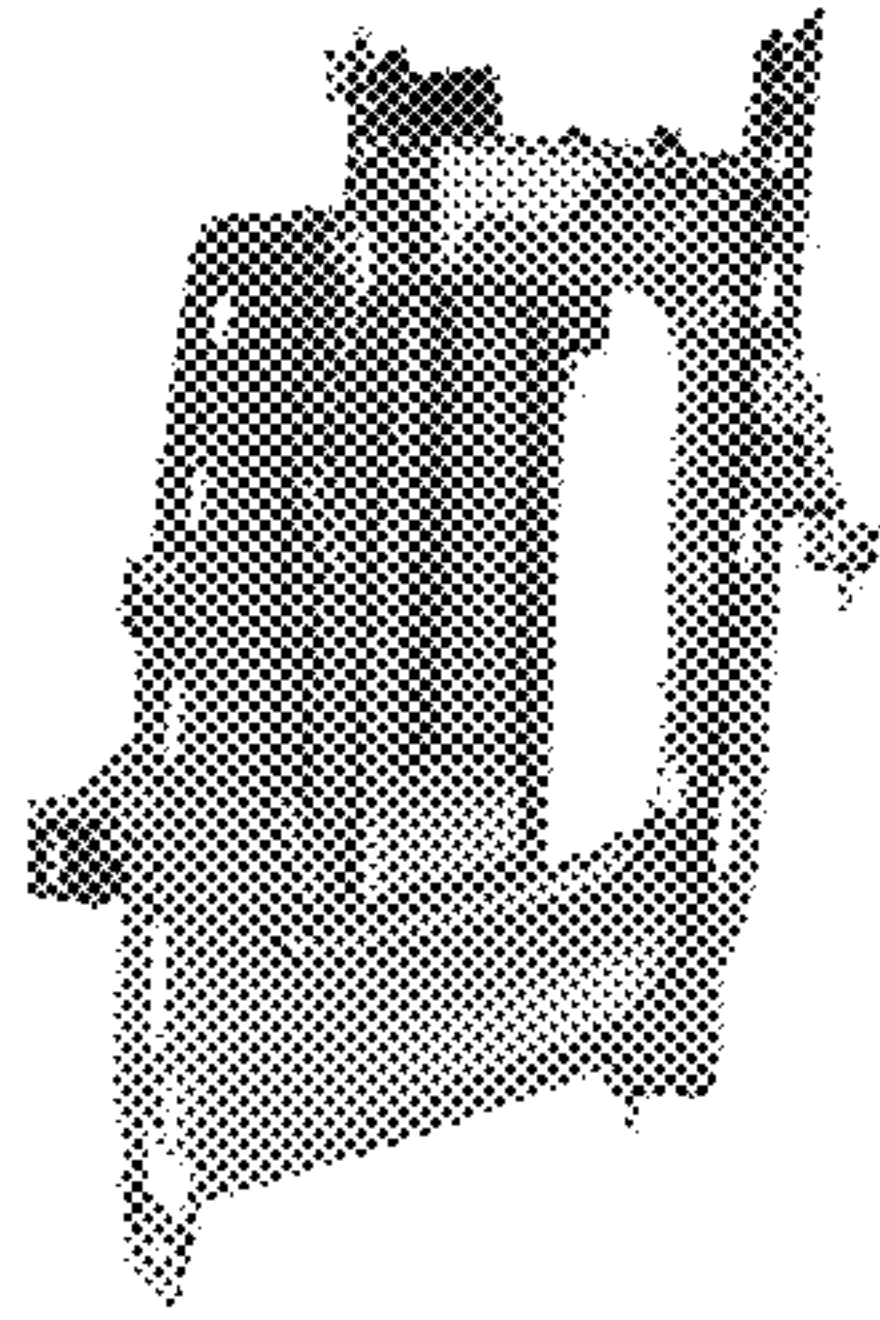


FIG. 7

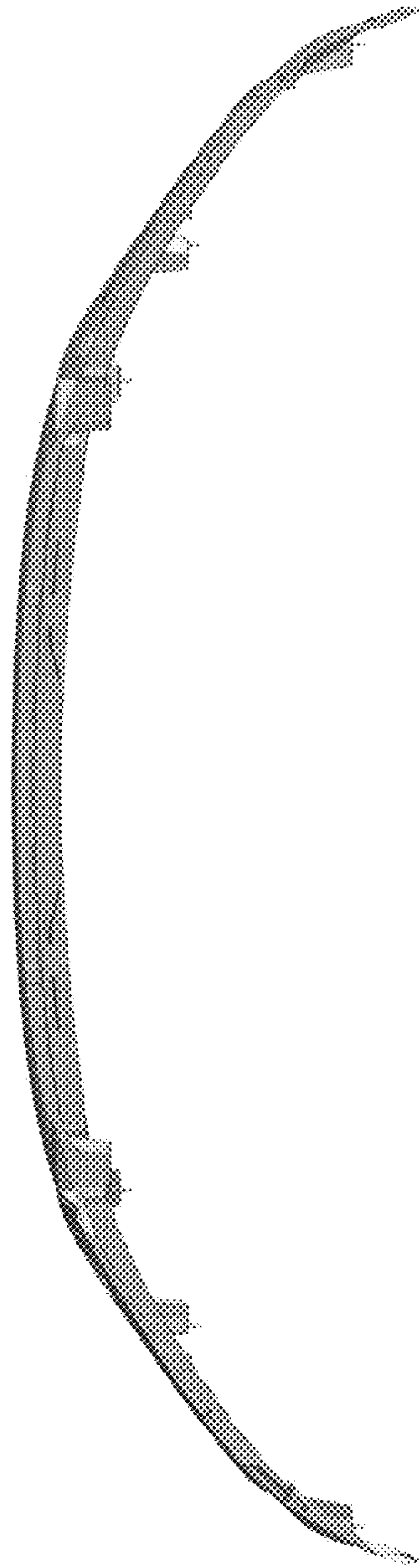


FIG. 8

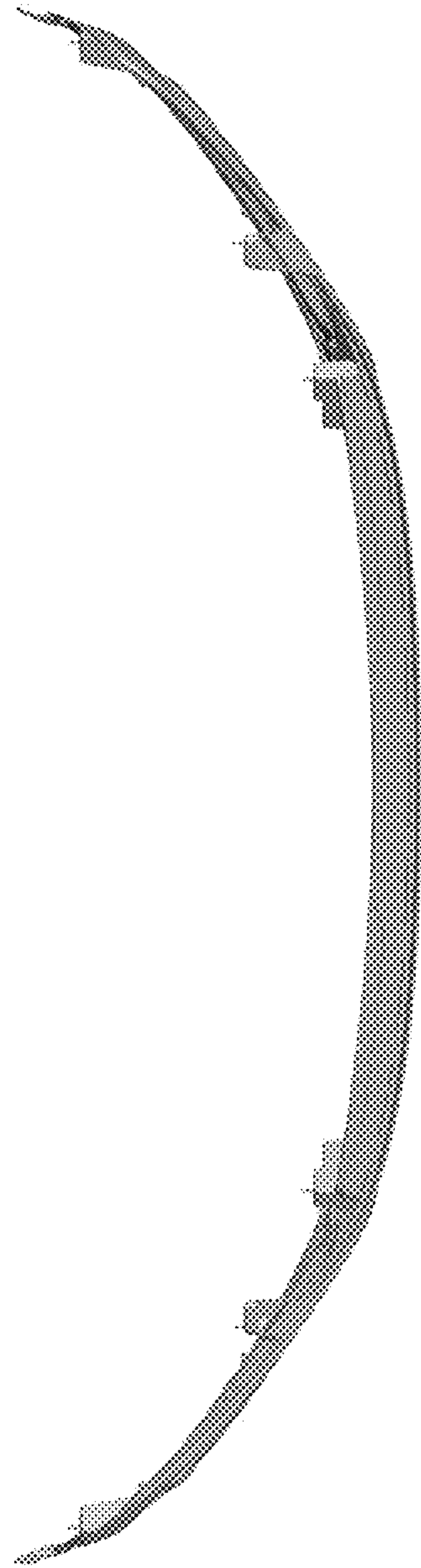


FIG. 9