



US00D856860S

(12) **United States Design Patent** (10) **Patent No.:** **US D856,860 S**
Gander (45) **Date of Patent:** **** Aug. 20, 2019**

- (54) **GRILLE ELEMENT**
- (71) Applicant: **Oshkosh Corporation**, Oshkosh, WI (US)
- (72) Inventor: **Jesse Gander**, Oshkosh, WI (US)
- (73) Assignee: **Oshkosh Corporation**, Oshkosh, WI (US)
- (**) Term: **15 Years**
- (21) Appl. No.: **29/621,906**
- (22) Filed: **Oct. 12, 2017**

4,492,282 A	1/1985	Appelblatt et al.
5,111,901 A	5/1992	Bachhuber et al.
5,209,003 A	5/1993	Maxfield et al.
5,217,083 A	6/1993	Bachhuber et al.
5,533,781 A	7/1996	Williams
5,538,274 A	7/1996	Schmitz et al.
5,663,520 A	9/1997	Ladika et al.
5,687,669 A	11/1997	Engler
5,820,150 A	10/1998	Archer et al.
D400,835 S *	11/1998	Le Quement D12/163
5,897,123 A	4/1999	Cherney et al.
5,900,199 A *	5/1999	Dickson B29C 45/1704 264/572
6,105,984 A	8/2000	Schmitz et al.

(Continued)

Primary Examiner — Susan Bennett Hattan
Assistant Examiner — Suzanne E Tisdell
 (74) *Attorney, Agent, or Firm* — Foley & Lardner LLP

Related U.S. Application Data

- (63) Continuation of application No. 14/612,100, filed on Feb. 2, 2015, now Pat. No. 9,829,282, which is a continuation of application No. 13/629,009, filed on Sep. 27, 2012, now Pat. No. 8,943,946, application No. 29/621,906, which is a continuation of application No. 15/599,174, filed on May 18, 2017, which is a continuation of application No. 14/724,279, filed on May 28, 2015, now Pat. No. 9,656,640, which is a continuation of application No. 13/841,686, filed on Mar. 15, 2013, now Pat. No. 9,045,014.
- (51) **LOC (12) Cl.** **12-16**
- (52) **U.S. Cl.**
USPC **D12/163**
- (58) **Field of Classification Search**
USPC D12/86, 91, 93, 163, 164, 166, 167, 169,
D12/171, 172, 173, 190, 216
CPC B62D 25/08; B62B 9/16; B60K 11/08;
B60R 19/52
See application file for complete search history.

(57) **CLAIM**

I claim ornamental design for a grille element, as shown and described.

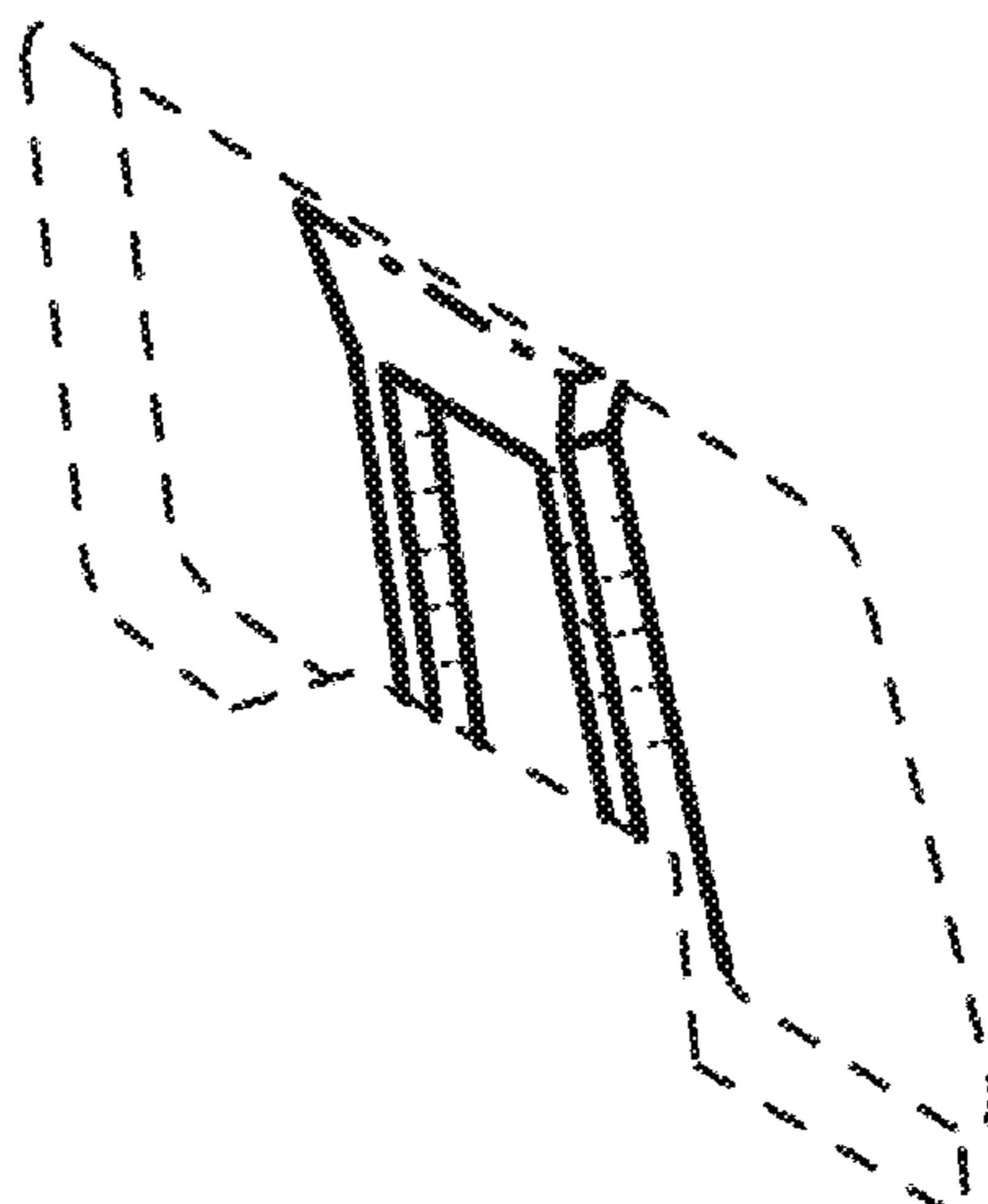
DESCRIPTION

FIG. 1 is a front perspective view of the claimed design;
 FIG. 2 is a front view of the claimed design;
 FIG. 3 is a rear view of the claimed design;
 FIG. 4 is a left side view of the claimed design;
 FIG. 5 is a right side view of the claimed design;
 FIG. 6 is a top view of the claimed design;
 FIG. 7 is a bottom view of the claimed design;
 FIG. 8 is a second front perspective view of the claimed design; and,
 FIG. 9 is a detailed front perspective view of the claimed design.
 Evenly-spaced broken lines depict unclaimed environmental subject matter. Dot-dash broken lines depict unclaimed boundaries of the claimed design.

1 Claim, 9 Drawing Sheets

(56) **References Cited**
 U.S. PATENT DOCUMENTS

- 3,131,963 A 5/1964 Schilberg
- 4,326,445 A 4/1982 Bemiss



(56)

References Cited

U.S. PATENT DOCUMENTS

6,421,593 B1	7/2002	Kempen et al.	D646,607 S	10/2011	Verhee et al.
6,516,914 B1	2/2003	Andersen et al.	D649,908 S	12/2011	Mullen
6,520,494 B1	2/2003	Andersen et al.	D649,909 S	12/2011	Mullen
6,553,290 B1	4/2003	Pillar	8,095,247 B2	1/2012	Pillar et al.
6,561,718 B1	5/2003	Archer et al.	D655,226 S *	3/2012	Hanson D12/163
6,658,984 B2	12/2003	Zonak	8,139,109 B2	3/2012	Schmiedel et al.
6,757,597 B2	6/2004	Yakes et al.	D661,231 S	6/2012	Galante et al.
6,764,085 B1	7/2004	Anderson	D662,865 S *	7/2012	Van Braeckel D12/164
6,779,806 B1	8/2004	Breitbach et al.	8,333,390 B2	12/2012	Linsmeier et al.
6,882,917 B2	4/2005	Pillar et al.	8,347,775 B2	1/2013	Altenhof et al.
6,883,815 B2	4/2005	Archer	8,376,077 B2	2/2013	Venton-Walters
6,885,920 B2	4/2005	Yakes et al.	8,402,878 B2	3/2013	Schreiner et al.
6,909,944 B2	6/2005	Pillar et al.	8,430,196 B2	4/2013	Halliday
6,922,615 B2	7/2005	Pillar et al.	8,459,619 B2	6/2013	Trinh et al.
6,976,688 B2	12/2005	Archer et al.	8,465,025 B2	6/2013	Venton-Walters et al.
6,993,421 B2	1/2006	Pillar et al.	D686,121 S	7/2013	McCabe et al.
7,006,902 B2	2/2006	Archer et al.	8,561,735 B2	10/2013	Morrow et al.
7,024,296 B2	4/2006	Squires et al.	8,578,834 B2	11/2013	Tunis et al.
7,072,745 B2	7/2006	Pillar et al.	8,596,648 B2	12/2013	Venton-Walters et al.
7,073,620 B2	7/2006	Braun et al.	D698,281 S *	1/2014	Badstuebner D12/91
7,107,129 B2	9/2006	Rowe et al.	D702,615 S *	4/2014	Conway D12/216
7,114,764 B1	10/2006	Barsoum et al.	8,764,029 B2	7/2014	Venton-Walters et al.
7,127,331 B2	10/2006	Pillar et al.	8,801,017 B2	8/2014	Ellifson et al.
D533,485 S *	12/2006	Schiavone D12/163	8,863,884 B2	10/2014	Jacob-Lloyd
D535,589 S *	1/2007	Lau D12/163	8,905,164 B1	12/2014	Capouellez et al.
7,162,332 B2	1/2007	Pillar et al.	8,921,130 B2	12/2014	Kundaliya et al.
7,164,977 B2	1/2007	Yakes et al.	8,943,946 B1	2/2015	Richmond et al.
7,184,662 B2	2/2007	Arbel et al.	8,947,531 B2	2/2015	Fischer et al.
7,184,862 B2	2/2007	Pillar et al.	8,955,859 B1	2/2015	Richmond et al.
7,184,866 B2	2/2007	Squires et al.	8,967,699 B1	3/2015	Richmond et al.
7,207,582 B2	4/2007	Siebers et al.	8,991,834 B2	3/2015	Venton-Walters et al.
7,254,468 B2	8/2007	Pillar et al.	8,991,840 B2	3/2015	Zuleger et al.
7,258,194 B2	8/2007	Braun et al.	9,016,703 B2	4/2015	Rowe et al.
7,267,394 B1	9/2007	Mouch et al.	9,045,014 B1	6/2015	Verhoff et al.
7,270,346 B2	9/2007	Rowe et al.	D743,308 S *	11/2015	Hanson D12/173
7,274,976 B2	9/2007	Rowe et al.	D743,856 S *	11/2015	Ma D12/171
7,277,782 B2	10/2007	Yakes et al.	9,174,686 B1	11/2015	Messina et al.
7,302,320 B2	11/2007	Nasr et al.	D749,464 S *	2/2016	Giolito D12/91
7,329,161 B2	2/2008	Roering	9,328,986 B1	5/2016	Pennau et al.
7,357,203 B2	4/2008	Morrow et al.	D765,566 S *	9/2016	Vena D12/163
7,379,797 B2	5/2008	Nasr et al.	D775,021 S	12/2016	Harriton et al.
7,392,122 B2	6/2008	Pillar et al.	D777,615 S *	1/2017	Hanson D12/163
7,412,307 B2	8/2008	Pillar et al.	D778,217 S	2/2017	Ito et al.
7,419,021 B2	9/2008	Morrow et al.	D784,219 S	4/2017	Jung
7,439,711 B2	10/2008	Bolton	D787,993 S	5/2017	McCabe et al.
7,448,460 B2	11/2008	Morrow et al.	9,650,005 B2	5/2017	Patelczyk et al.
7,451,028 B2	11/2008	Pillar et al.	2001/0015559 A1 *	8/2001	Storer B60R 19/52 293/115
7,472,914 B2	1/2009	Anderson et al.	2002/0129696 A1	9/2002	Pek et al.
7,520,354 B2	4/2009	Morrow et al.	2004/0130168 A1 *	7/2004	O'Connell B60R 19/52 293/115
7,522,979 B2	4/2009	Pillar	2005/0284682 A1	12/2005	Hass et al.
7,555,369 B2	6/2009	Pillar et al.	2006/0021764 A1	2/2006	Archer et al.
7,594,561 B2	9/2009	Hass et al.	2007/0088469 A1	4/2007	Schmiedel et al.
7,689,332 B2	3/2010	Yakes et al.	2007/0145816 A1	6/2007	Gile
7,695,053 B1	4/2010	Boczek et al.	2007/0186762 A1	8/2007	Dehart et al.
7,711,460 B2	5/2010	Yakes et al.	2009/0174158 A1	7/2009	Anderson et al.
7,715,962 B2	5/2010	Rowe et al.	2010/0019538 A1	1/2010	Kiley et al.
7,725,225 B2	5/2010	Pillar et al.	2010/0163330 A1	7/2010	Halliday
7,729,831 B2	6/2010	Pillar et al.	2010/0218667 A1	9/2010	Naroditsky et al.
7,756,621 B2	7/2010	Pillar et al.	2010/0319525 A1	12/2010	Pavon
7,770,506 B2	8/2010	Johnson et al.	2011/0079978 A1	4/2011	Schreiner et al.
7,792,618 B2	9/2010	Quigley et al.	2011/0120791 A1	5/2011	Greenwood et al.
D627,686 S *	11/2010	Thompson D12/91	2011/0291444 A1	12/2011	Ische
7,835,838 B2	11/2010	Pillar et al.	2012/0181100 A1	7/2012	Halliday
7,848,857 B2	12/2010	Nasr et al.	2012/0193940 A1	8/2012	Tunis et al.
7,905,534 B2	3/2011	Boczek et al.	2013/0153314 A1	6/2013	Niedzwiecki
7,905,540 B2	3/2011	Kiley et al.	2014/0151142 A1	6/2014	Hoppe et al.
7,908,959 B2	3/2011	Pavon	2014/0262591 A1	9/2014	Turner et al.
D636,305 S *	4/2011	Alvarez D12/171	2015/0224847 A1	8/2015	Rowe et al.
7,931,103 B2	4/2011	Morrow et al.	2016/0047631 A1	2/2016	Berman
7,934,766 B2	5/2011	Boczek et al.	2016/0257360 A1	9/2016	MacKenzie et al.
D642,099 S *	7/2011	Nagao D12/171	2017/0328054 A1	11/2017	Bakken
8,000,850 B2	8/2011	Nasr et al.	2018/0326843 A1	11/2018	Danielson et al.
D646,203 S *	10/2011	Thompson D12/91			

* cited by examiner

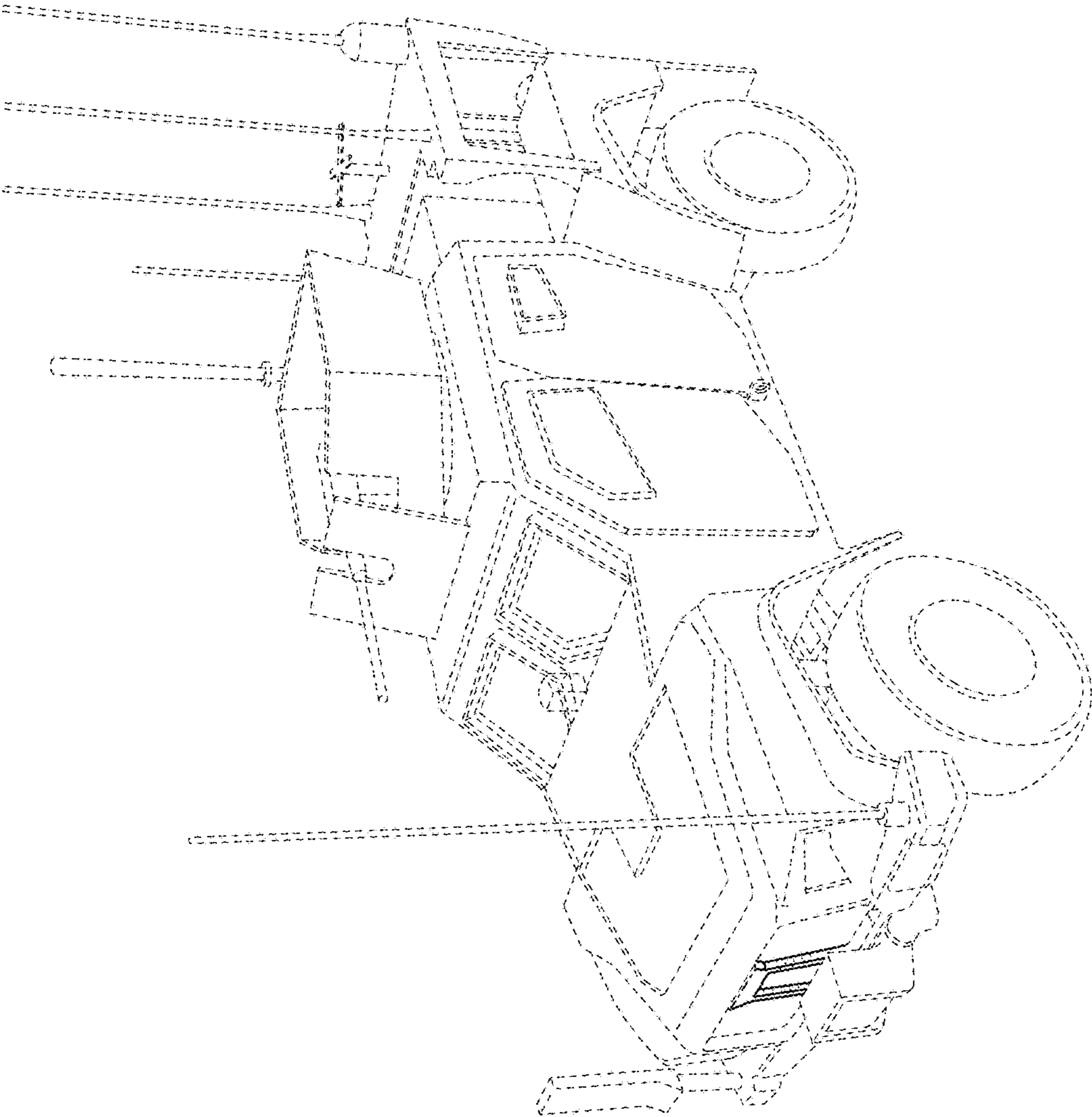


FIG. 1

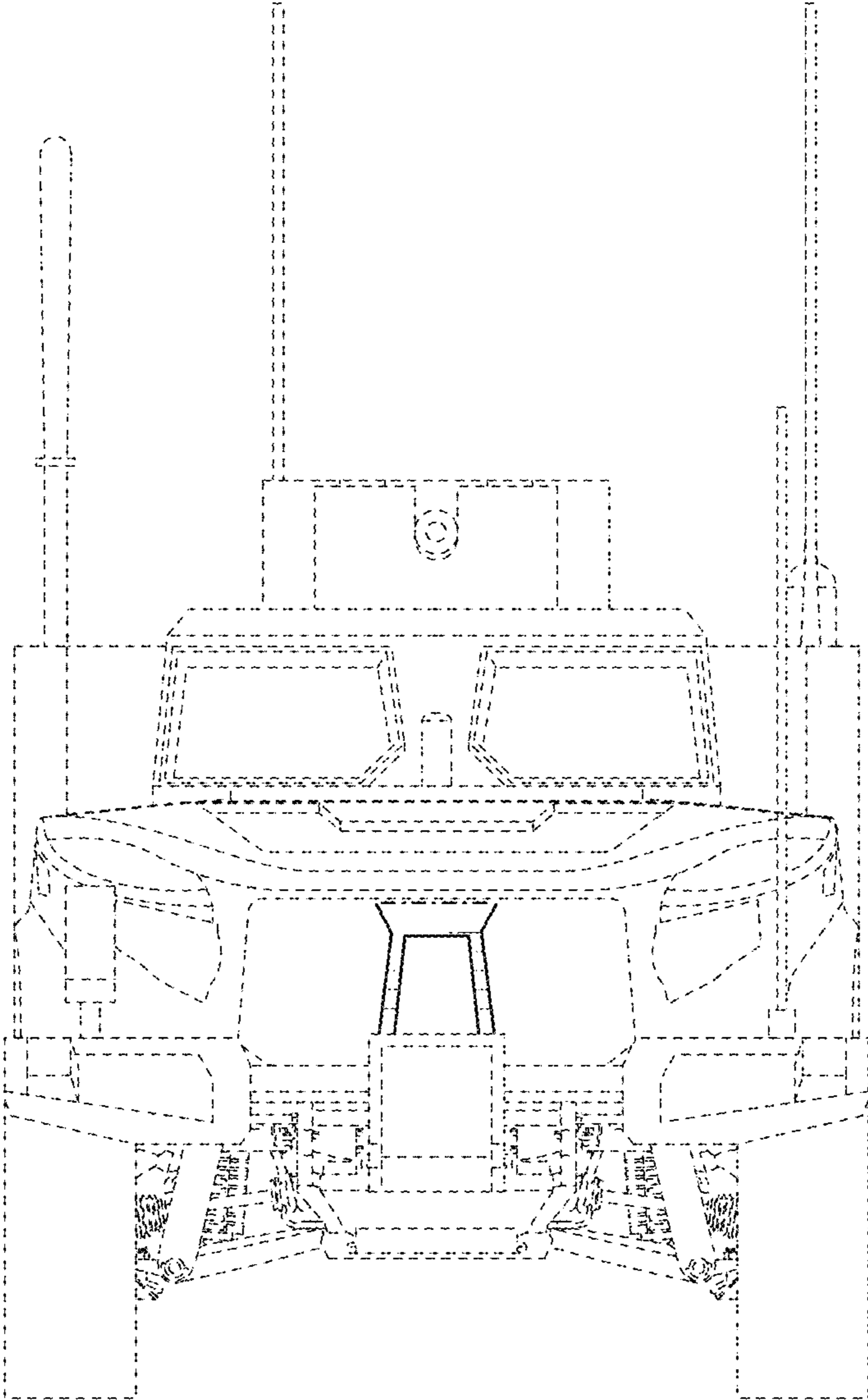


FIG. 2

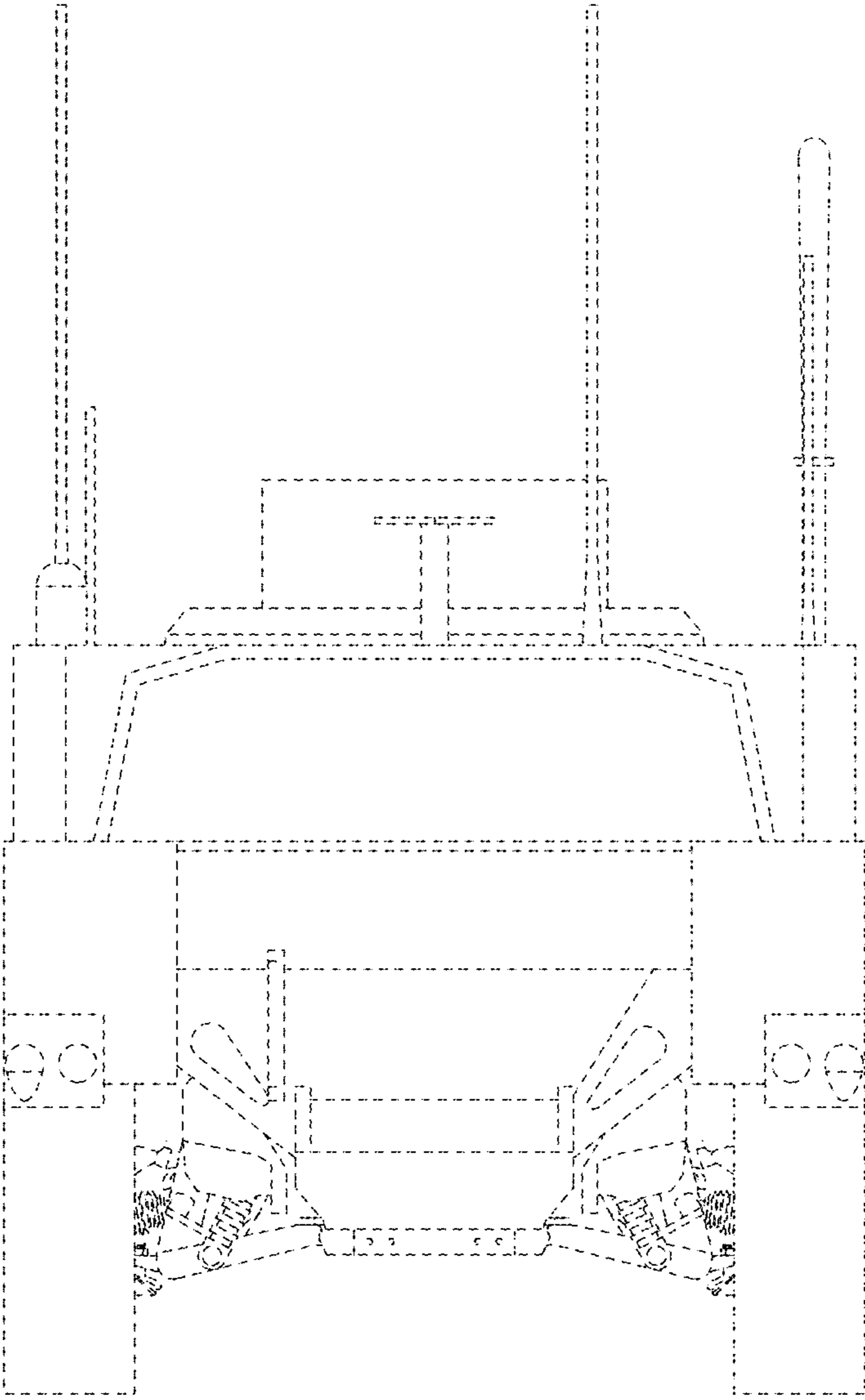


FIG. 3

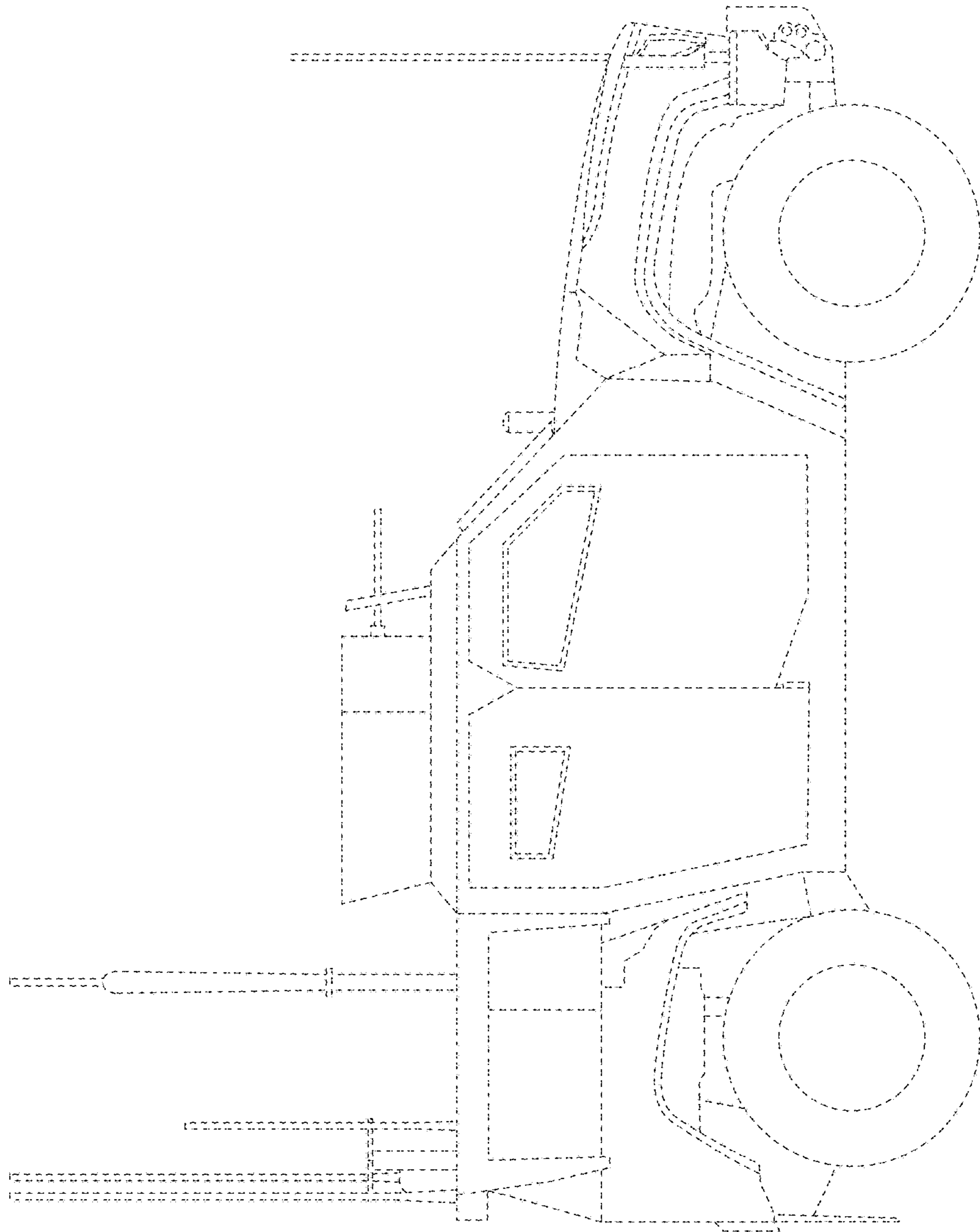


FIG. 4

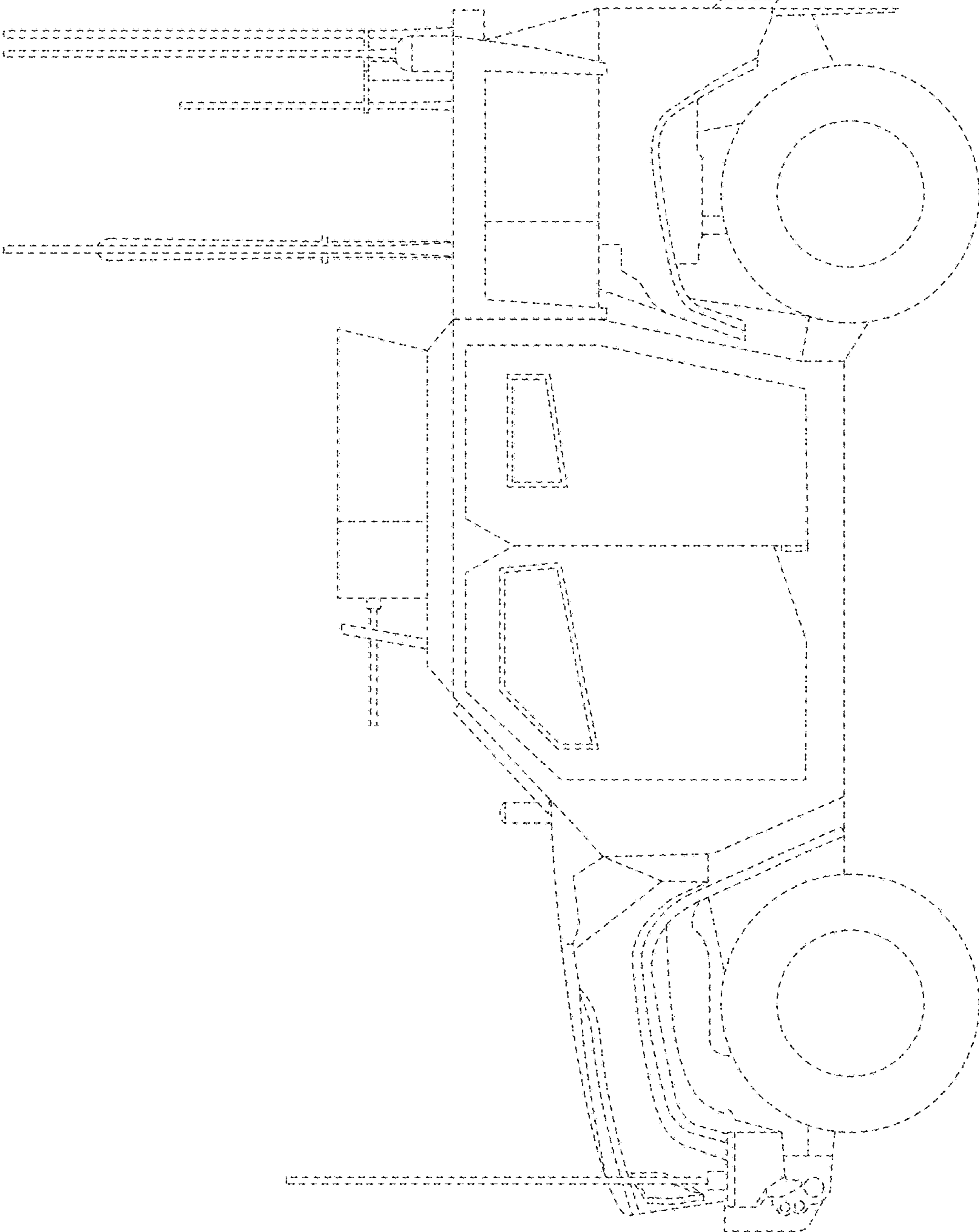


FIG. 5

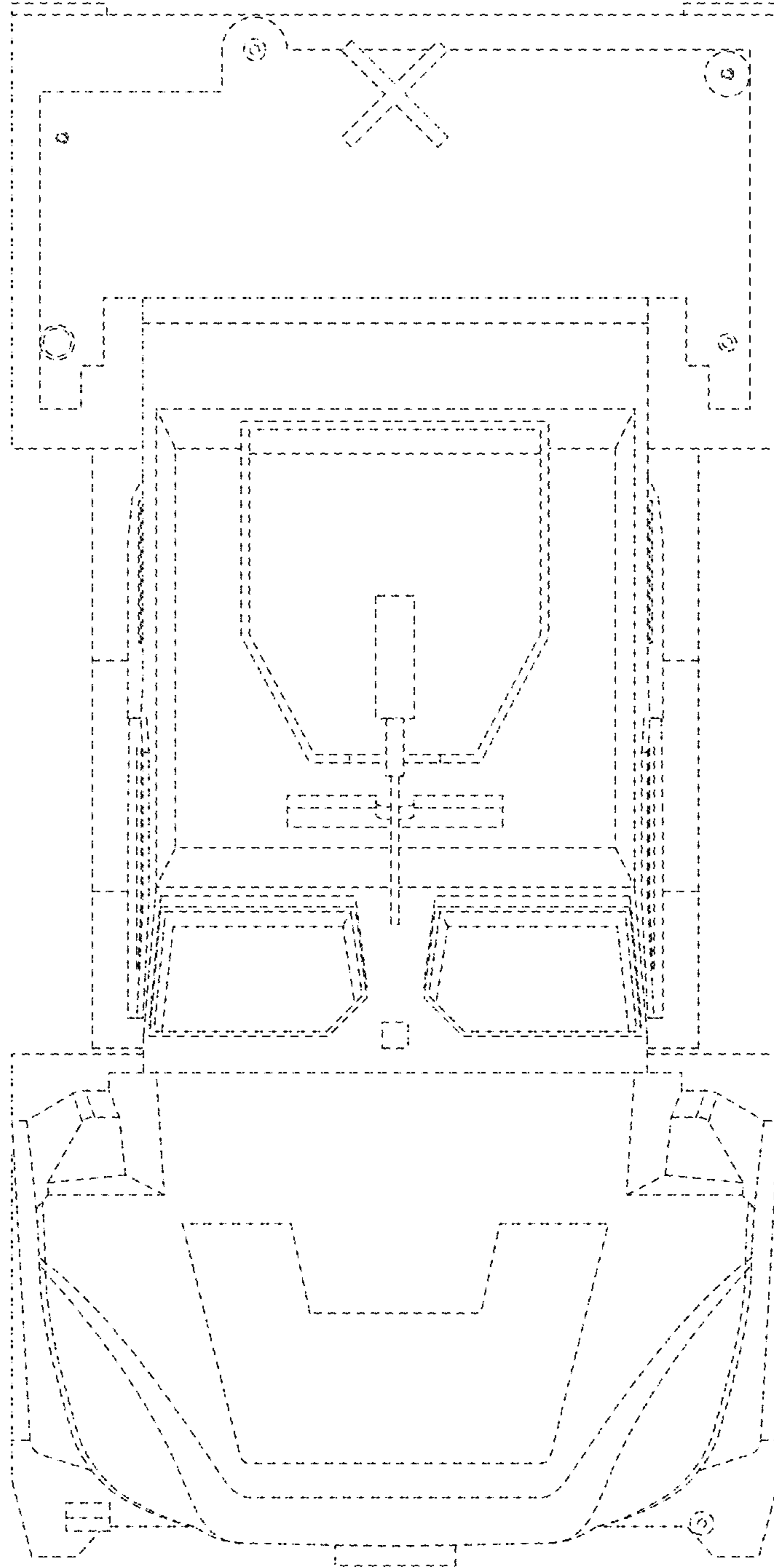


FIG. 6

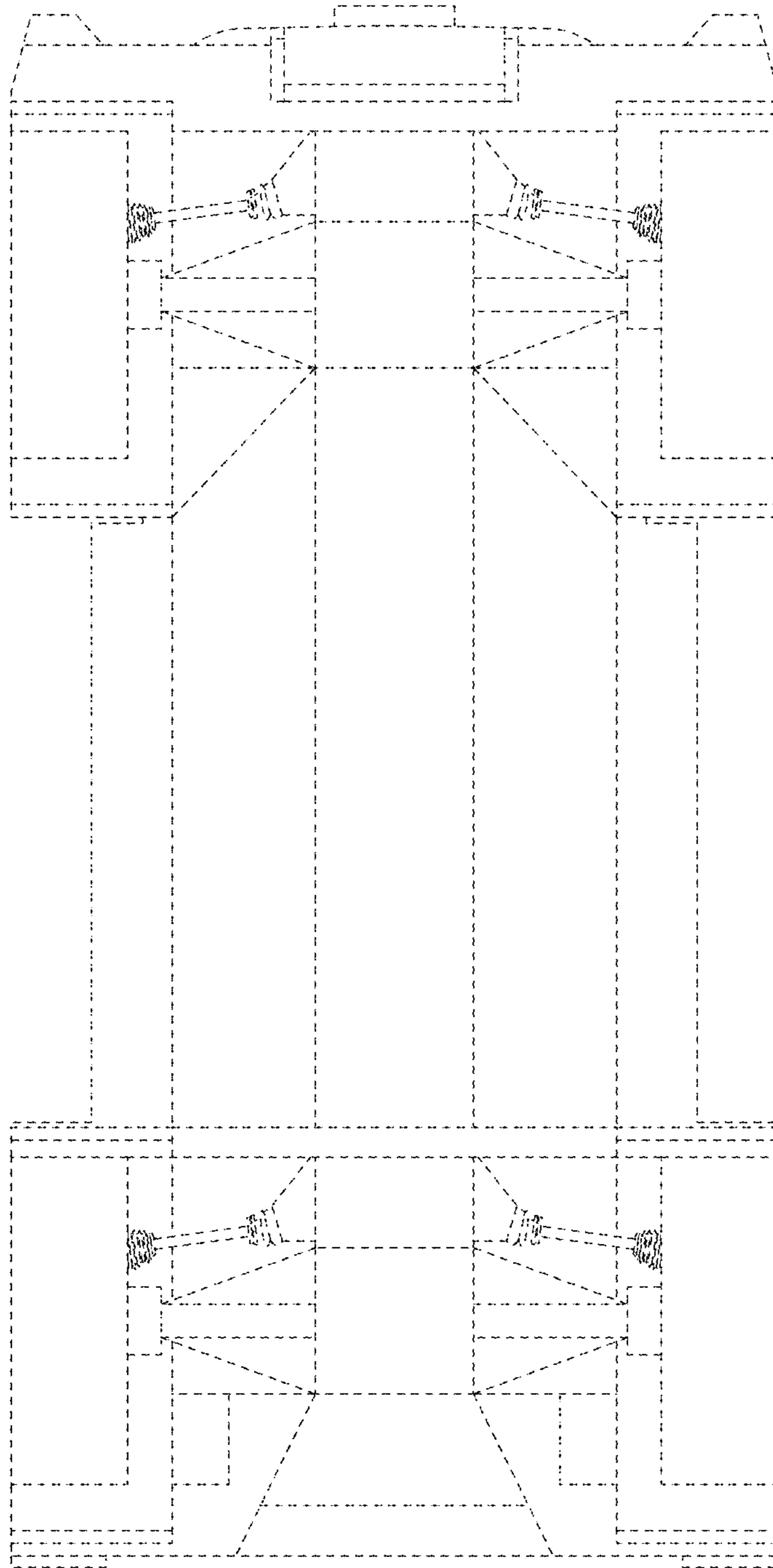


FIG. 7

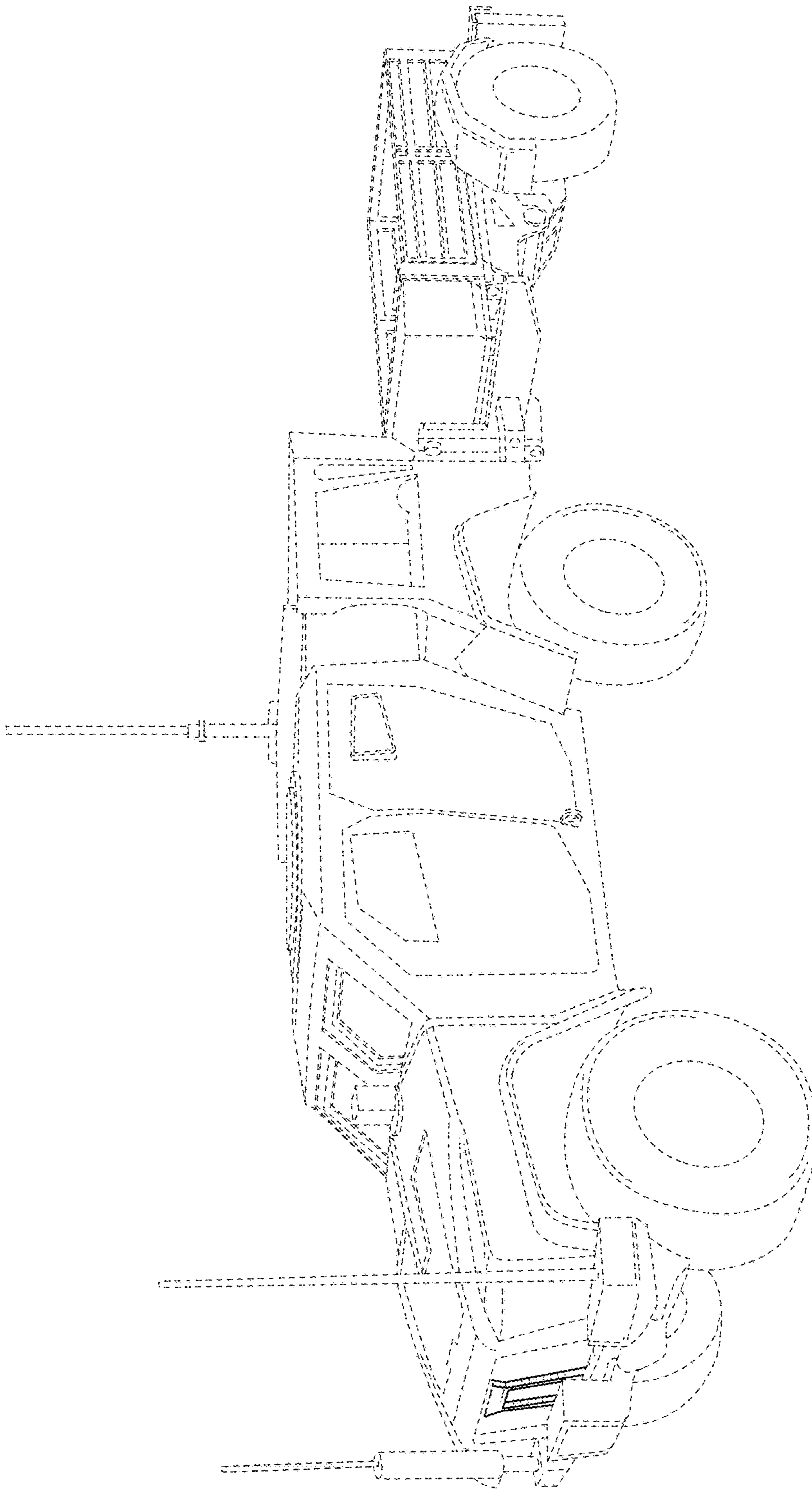


FIG. 8

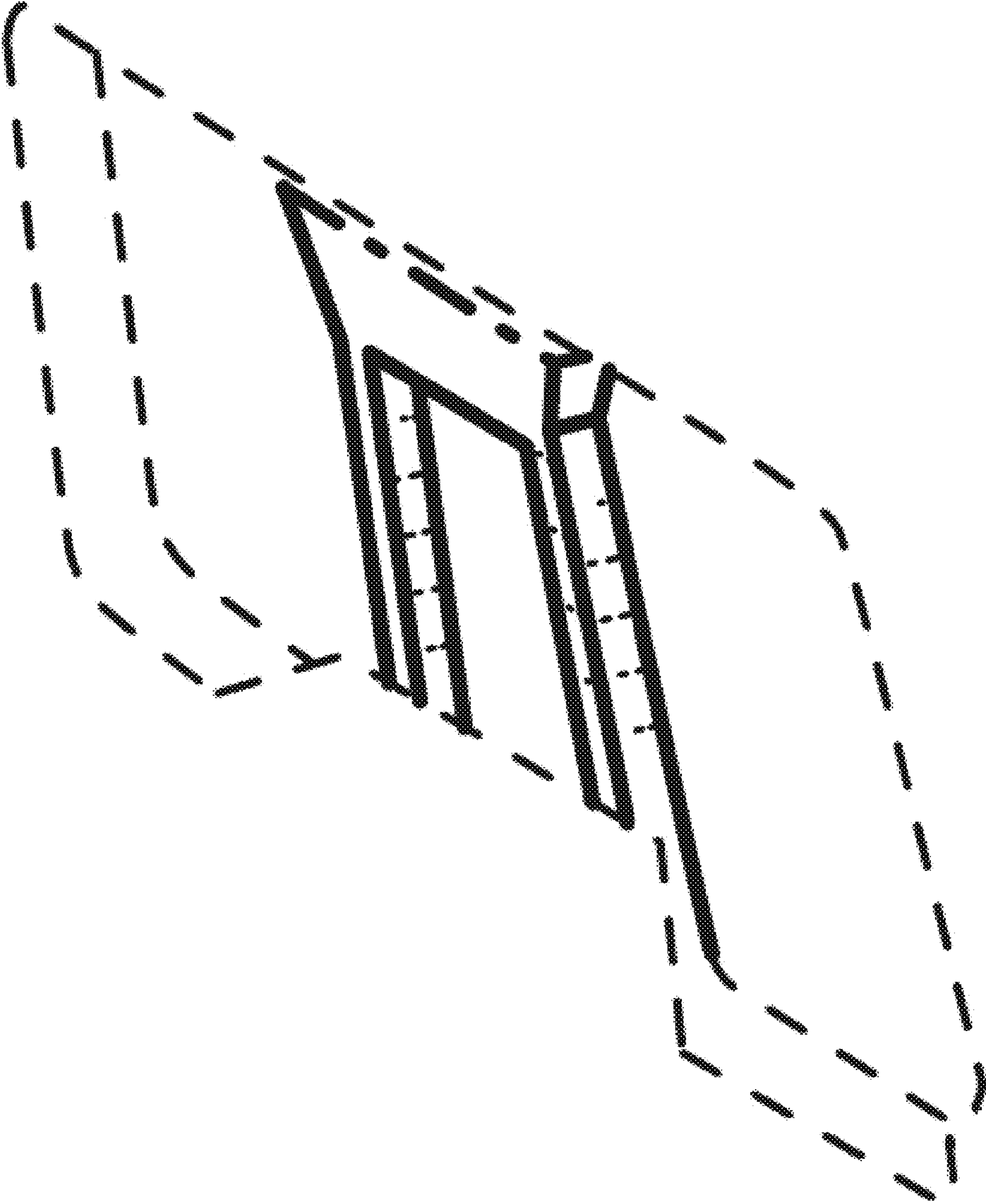


FIG. 9