



US00D856857S

(12) **United States Design Patent** (10) **Patent No.:** **US D856,857 S**
Meßmer (45) **Date of Patent:** **** Aug. 20, 2019**

(54) **FRAME PART OF ELECTRIC SCOOTER**

(71) Applicant: **Manuel Meßmer**, Stuttgart (DE)

(72) Inventor: **Manuel Meßmer**, Stuttgart (DE)

(**) Term: **15 Years**

(21) Appl. No.: **35/504,442**

(22) Filed: **Jan. 31, 2018**

(80) **Hague Agreement Data**

Int. Filing Date: **Jan. 31, 2018**

Int. Reg. No.: **DM/099616**

Int. Reg. Date: **Jan. 31, 2018**

Int. Reg. Pub. Date: **Feb. 16, 2018**

(30) **Foreign Application Priority Data**

Jul. 31, 2017 (EM) 004127652

(51) **LOC (12) Cl.** **12-11**

(52) **U.S. Cl.**
USPC **D12/117**

(58) **Field of Classification Search**

USPC D12/111, 114, 117
CPC . B62K 3/00; B62K 3/005; B62K 9/00; B62K
19/00; B62K 19/02; B62K 19/04; B62K
19/06; B62K 19/16

See application file for complete search history.

(56) **References Cited**

U.S. PATENT DOCUMENTS

D420,942 S * 2/2000 Chen D12/111

D427,111 S * 6/2000 Chen D12/111

D437,363 S * 2/2001 Chen D21/423

D437,621 S * 2/2001 Chen D21/423

6,250,656 B1 * 6/2001 Ibarra B62K 3/002
280/62

D452,885 S * 1/2002 Chen D21/423

D459,762 S * 7/2002 Chen D21/423

D474,511 S * 5/2003 Chen D12/111

D475,755 S * 6/2003 Chen D12/111

D510,059 S * 9/2005 Hickman D12/117

D538,356 S * 3/2007 Chen D21/423

D641,801 S * 7/2011 Wilson D21/423

D658,095 S * 4/2012 Simon D12/117

D687,499 S * 8/2013 Horne D21/423

D755,085 S * 5/2016 Horne D12/117

D774,983 S * 12/2016 Lam D12/117

D819,501 S * 6/2018 Tartarini D12/117

2018/0099719 A1 * 4/2018 Privitelli B62K 3/002

* cited by examiner

Primary Examiner — Darlington Ly

(74) *Attorney, Agent, or Firm* — Renner, Otto, Boisselle
& Sklar, LLP

(57) **CLAIM**

The ornamental design for a frame part of electric scooter,
as shown and described.

DESCRIPTION

1. Frame part of electric scooter

1.1 is a top, rear, and left side perspective view of a frame
part of electric scooter showing my new design.

1.2 is a left side elevation view thereof, the right side
elevation view being a mirror image thereof;

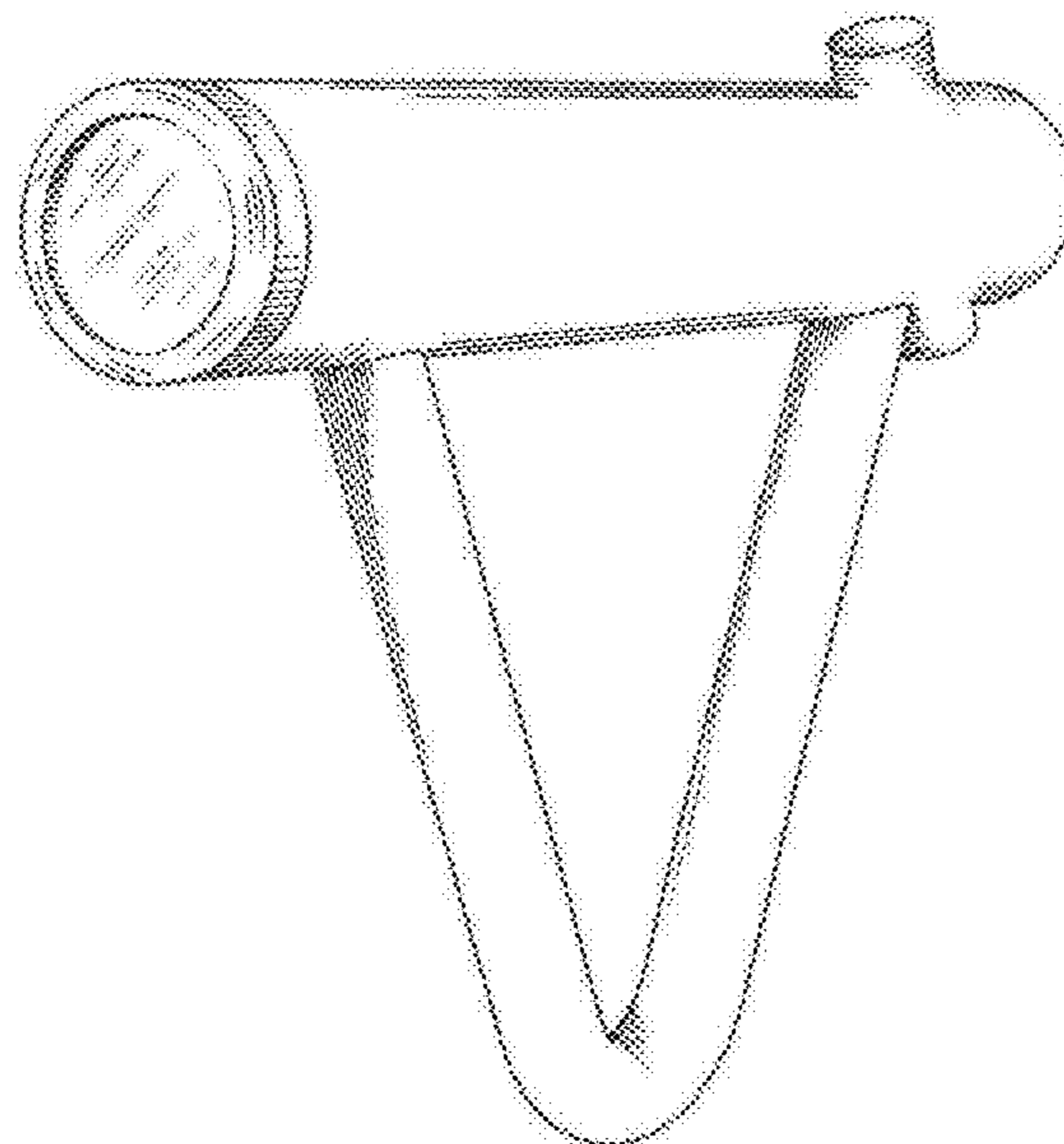
1.3 is a front elevation view thereof;

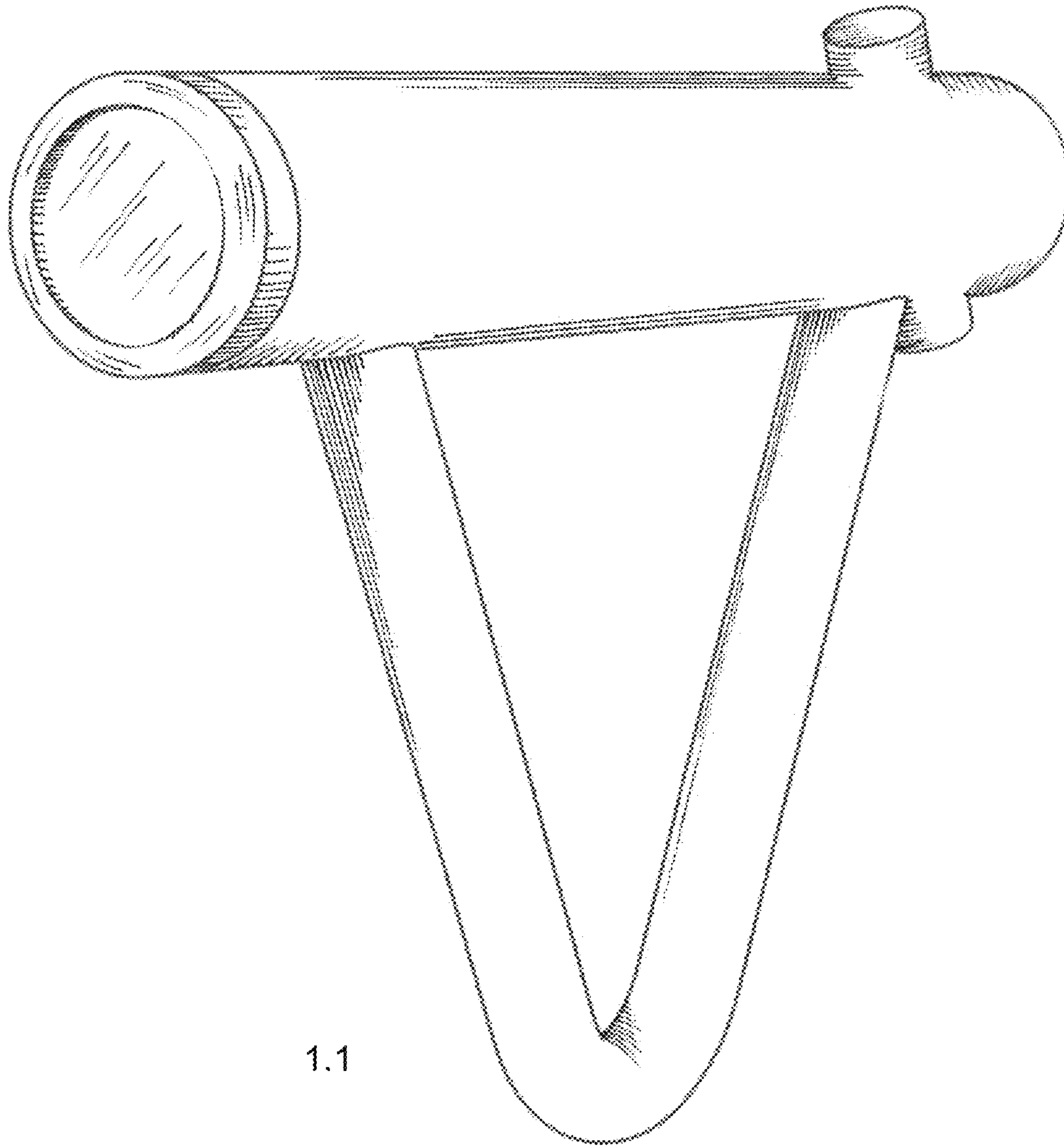
1.4 is a rear elevation view thereof;

1.5 is a top plan view thereof; and,

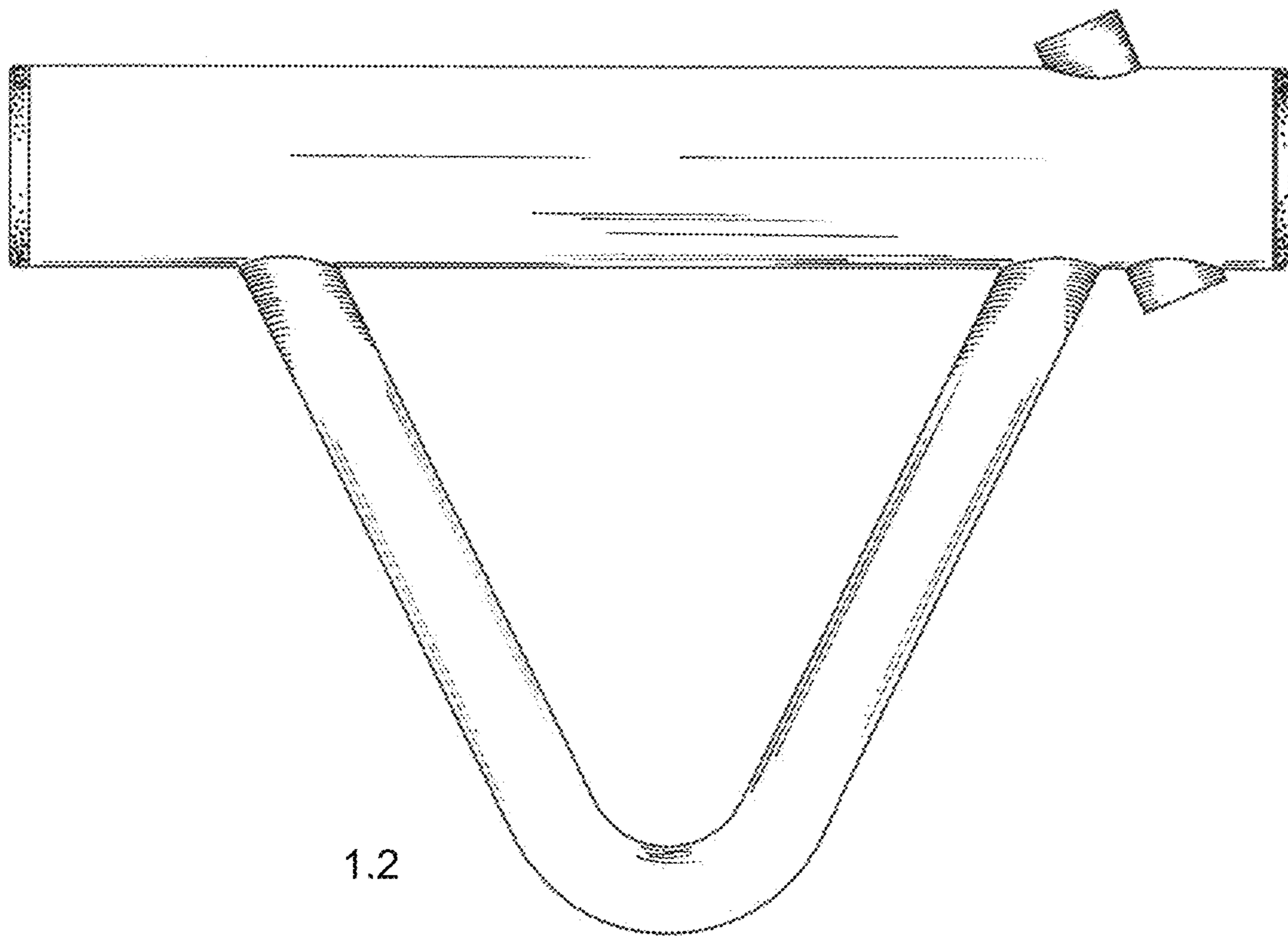
1.6 is a bottom plan view thereof.

1 Claim, 6 Drawing Sheets

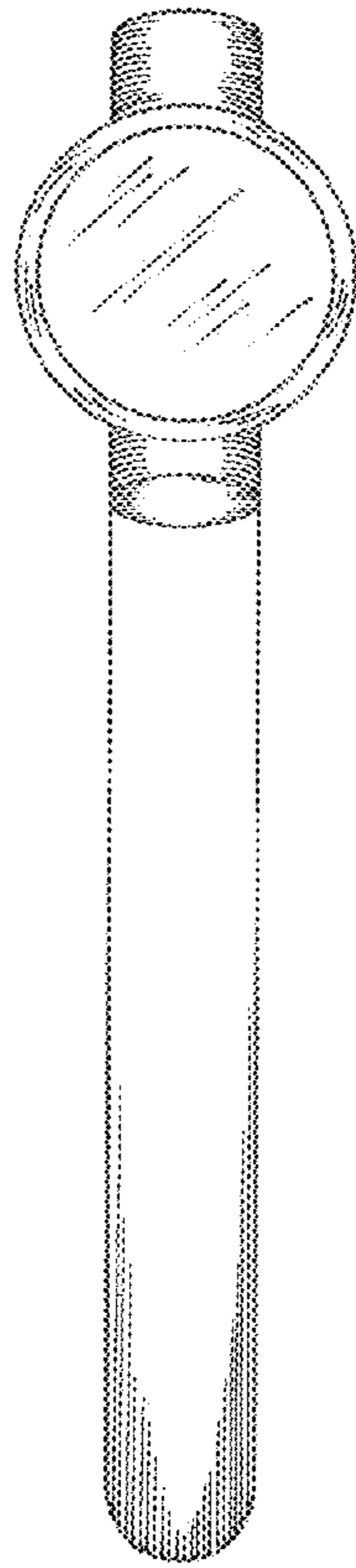




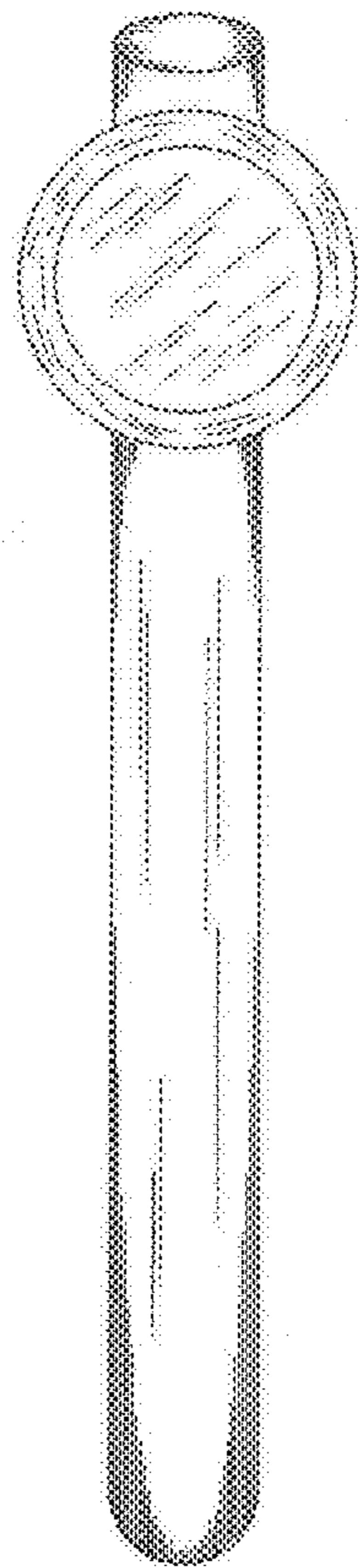
1.1



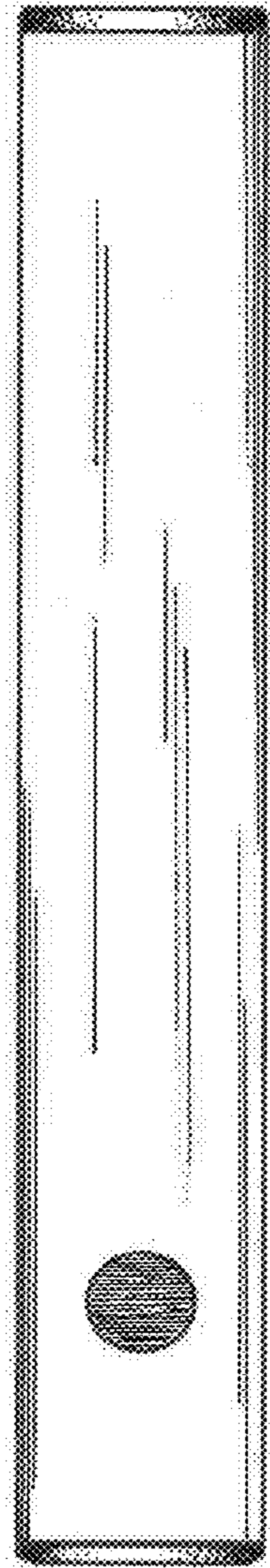
1.2



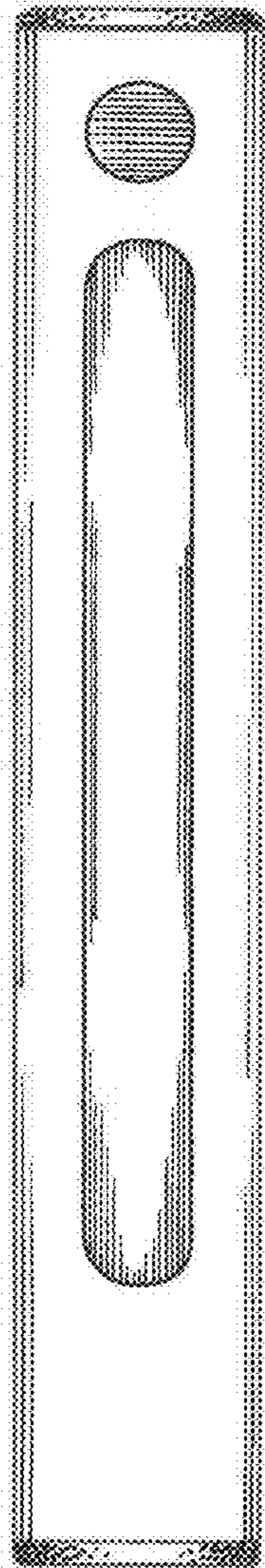
1.3



1.4



1.5



1.6